



US00D692723S

(12) **United States Design Patent**
Mottaz

(10) **Patent No.:** **US D692,723 S**

(45) **Date of Patent:** **** Nov. 5, 2013**

(54) **LAZY- SUSAN ORGANIZER**

(76) Inventor: **Vicki Ann Mottaz**, Arnold, MO (US)

(**) Term: **14 Years**

(21) Appl. No.: **29/421,187**

(22) Filed: **Jun. 11, 2012**

(51) **LOC (9) Cl.** **07-01**

(52) **U.S. Cl.**
USPC **D7/501**

(58) **Field of Classification Search**

USPC D7/501, 505, 538, 543, 545, 500, 590,
D7/360, 600.2, 553.6, 392.1, 601, 354,
D7/555, 557, 566, 620, 629, 552.1, 589,
D7/586; D9/743, 745; 220/751, 23.4, 574;
206/514; 73/426

See application file for complete search history.

(56) **References Cited**

U.S. PATENT DOCUMENTS

4,775,055 A * 10/1988 Morse 211/78
D444,999 S * 7/2001 Govrik et al. D7/501
D552,933 S * 10/2007 Sarnoff et al. D7/550.1
D575,988 S * 9/2008 McComas D7/549
D595,088 S * 6/2009 Watts D7/501
D601,381 S * 10/2009 Stamper D7/505

D604,992 S * 12/2009 Klein D7/541

* cited by examiner

Primary Examiner — Cynthia Underwood

(74) *Attorney, Agent, or Firm* — Charles McCloskey

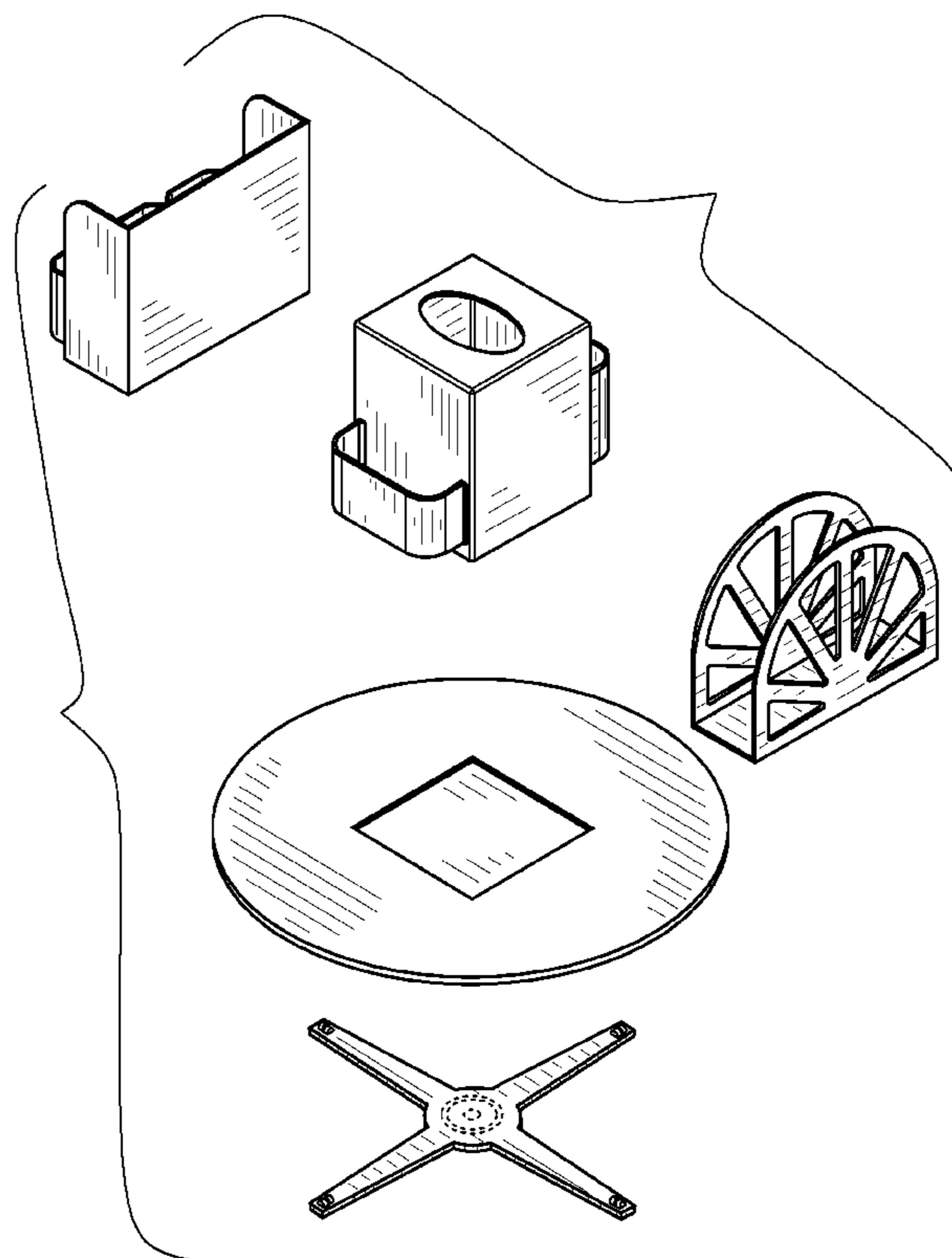
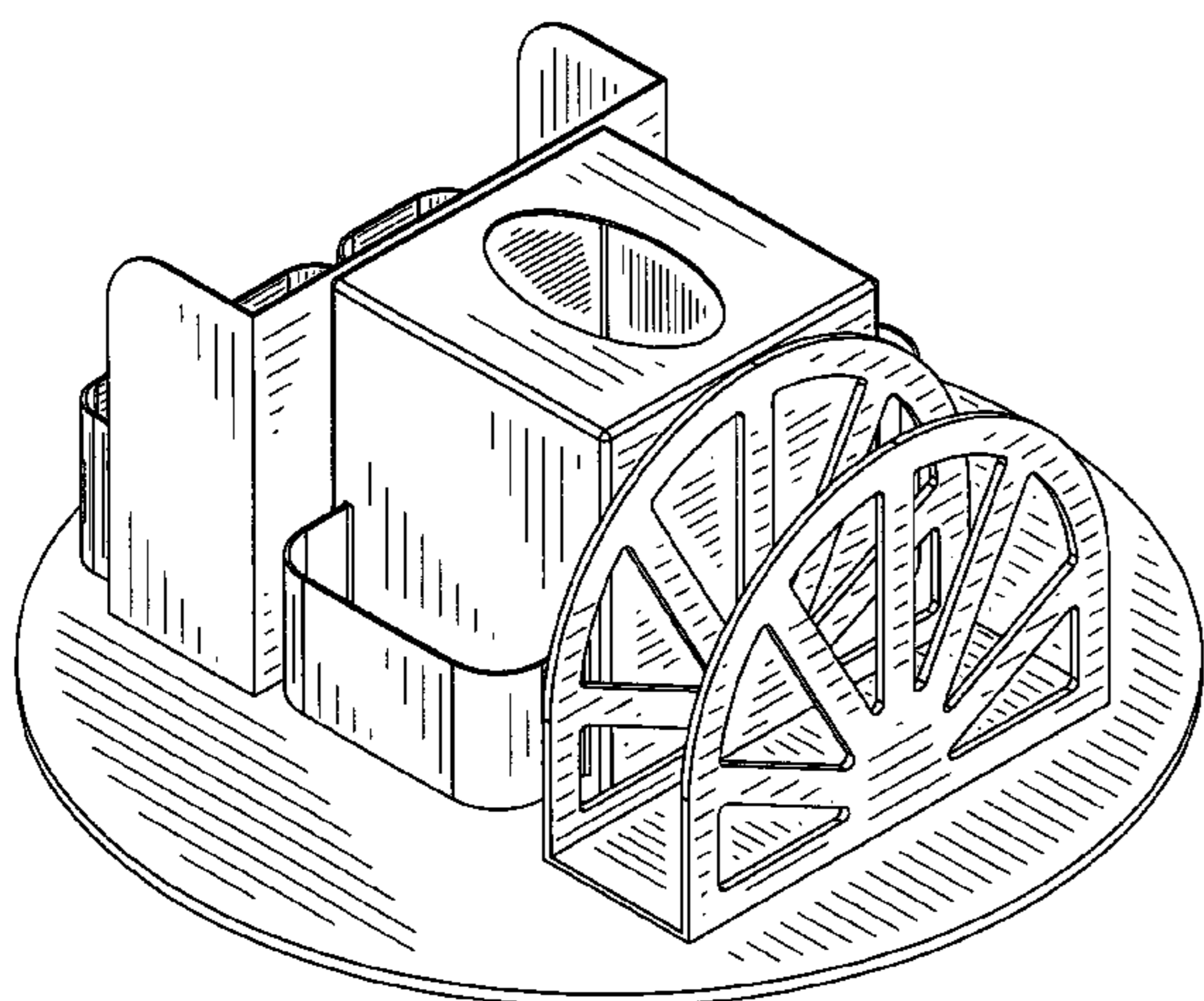
(57) **CLAIM**

The ornamental design for a lazy-susan organizer, as shown and described.

DESCRIPTION

FIG. 1 is a perspective view;
FIG. 2 is a perspective view;
FIG. 3 is a perspective view;
FIG. 4 is a perspective view;
FIG. 5 is a perspective view of the bottom of the invention;
FIG. 6 is a front view;
FIG. 7 is a rear view;
FIG. 8 is a side view;
FIG. 9 is a side view;
FIG. 10 is a top view;
FIG. 11 is a bottom view;
FIG. 12 is an exploded perspective view; and,
FIG. 13 is an exploded perspective view of the bottom of the invention.

1 Claim, 13 Drawing Sheets



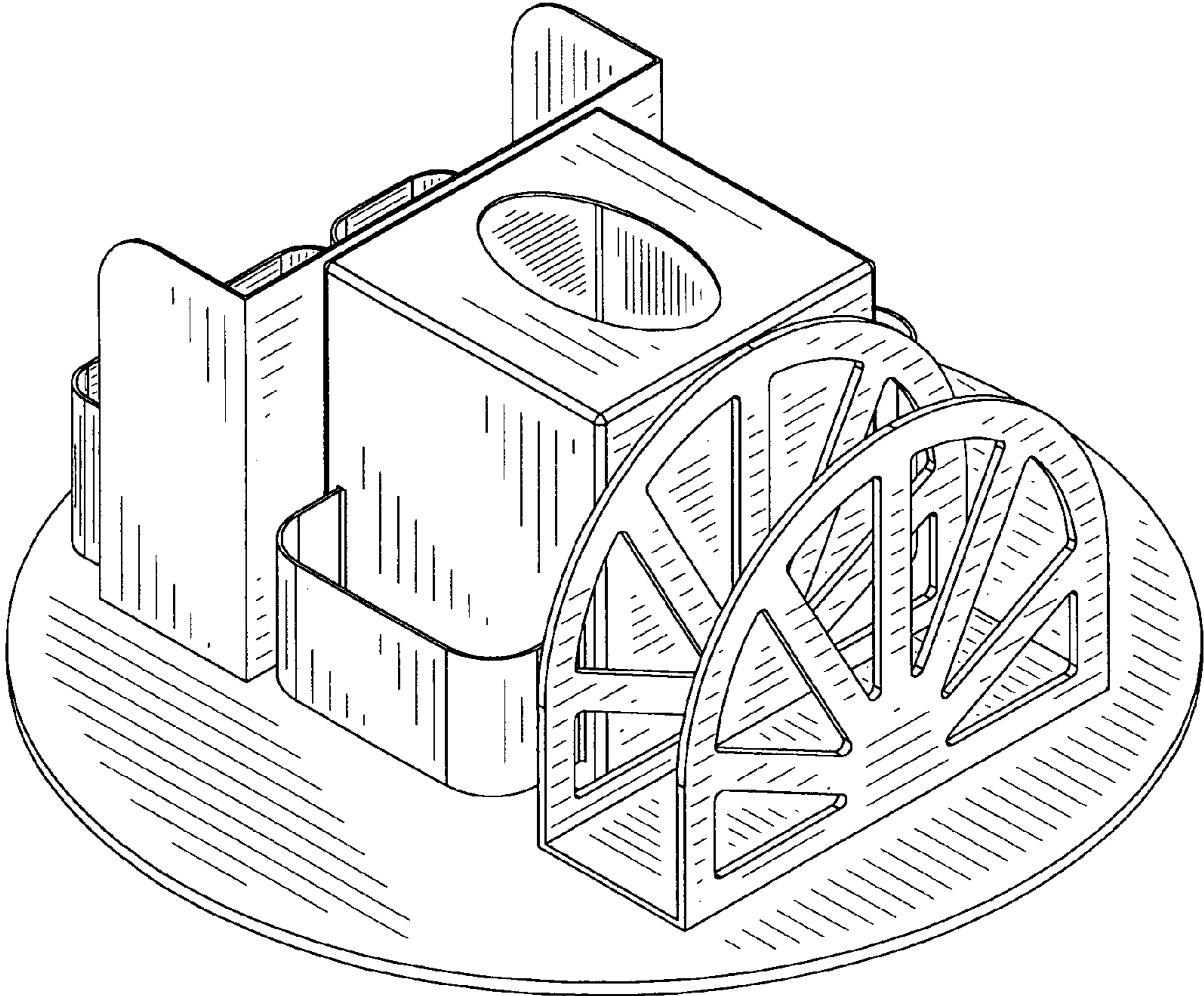


Fig. 1

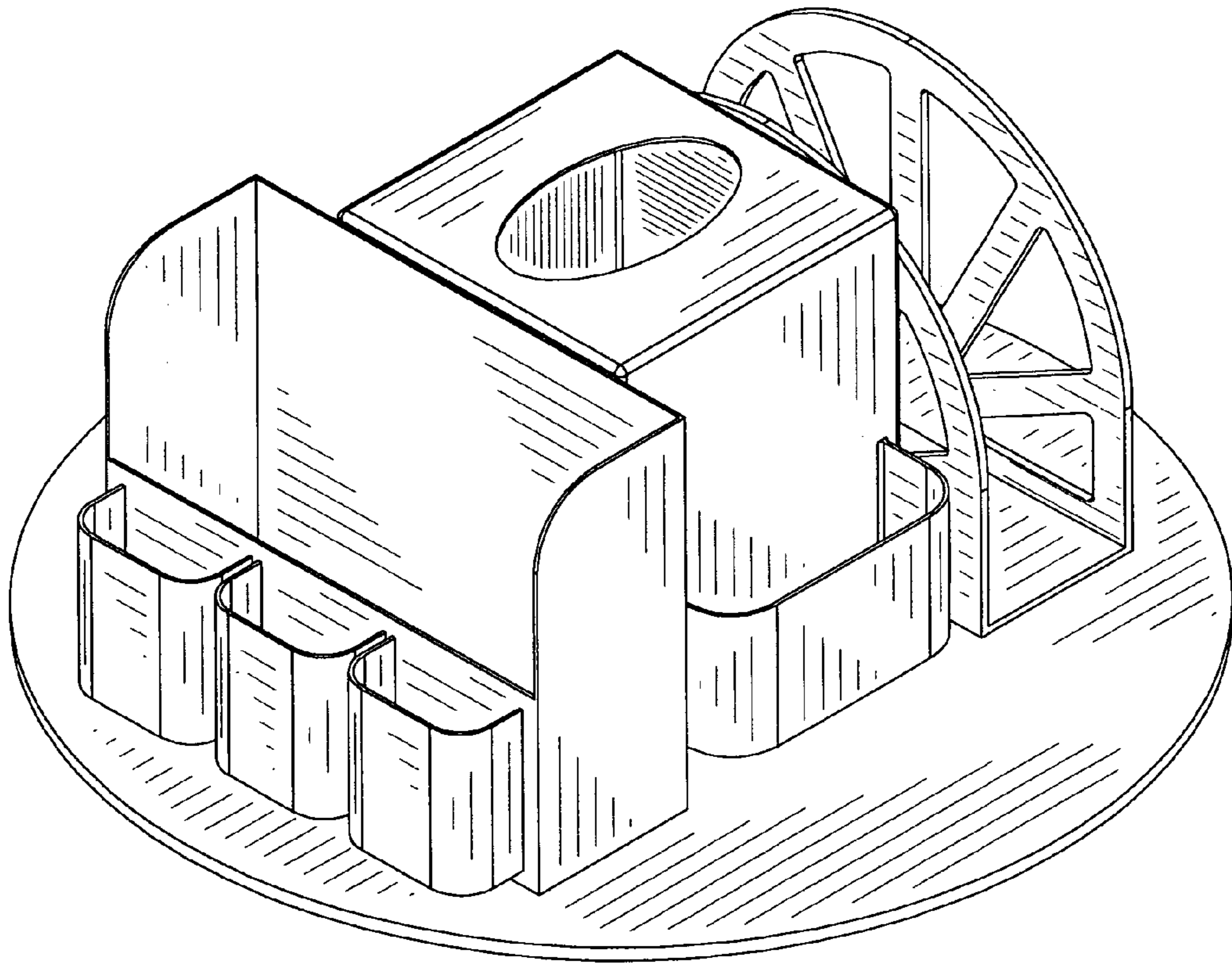


Fig. 2

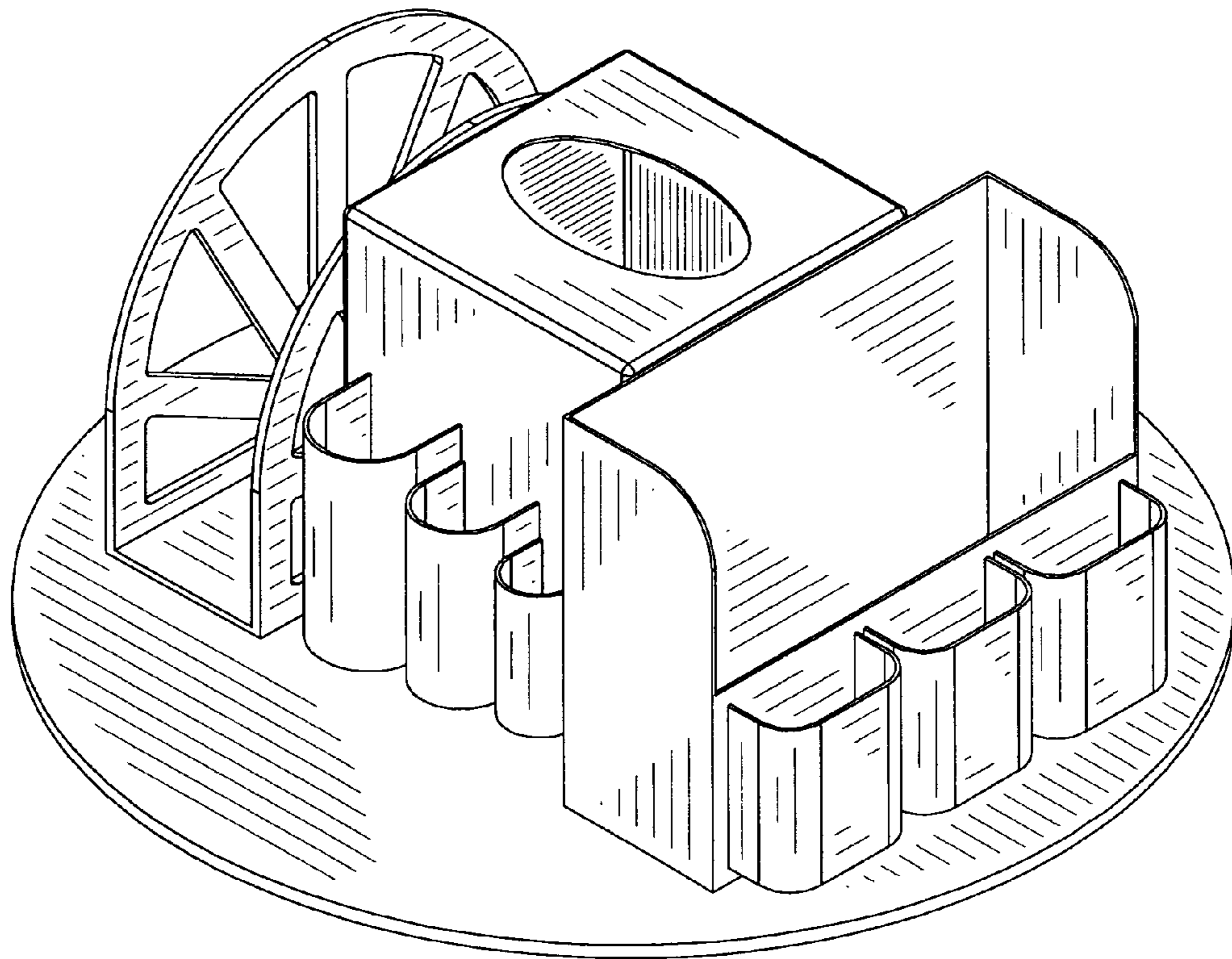


Fig. 3

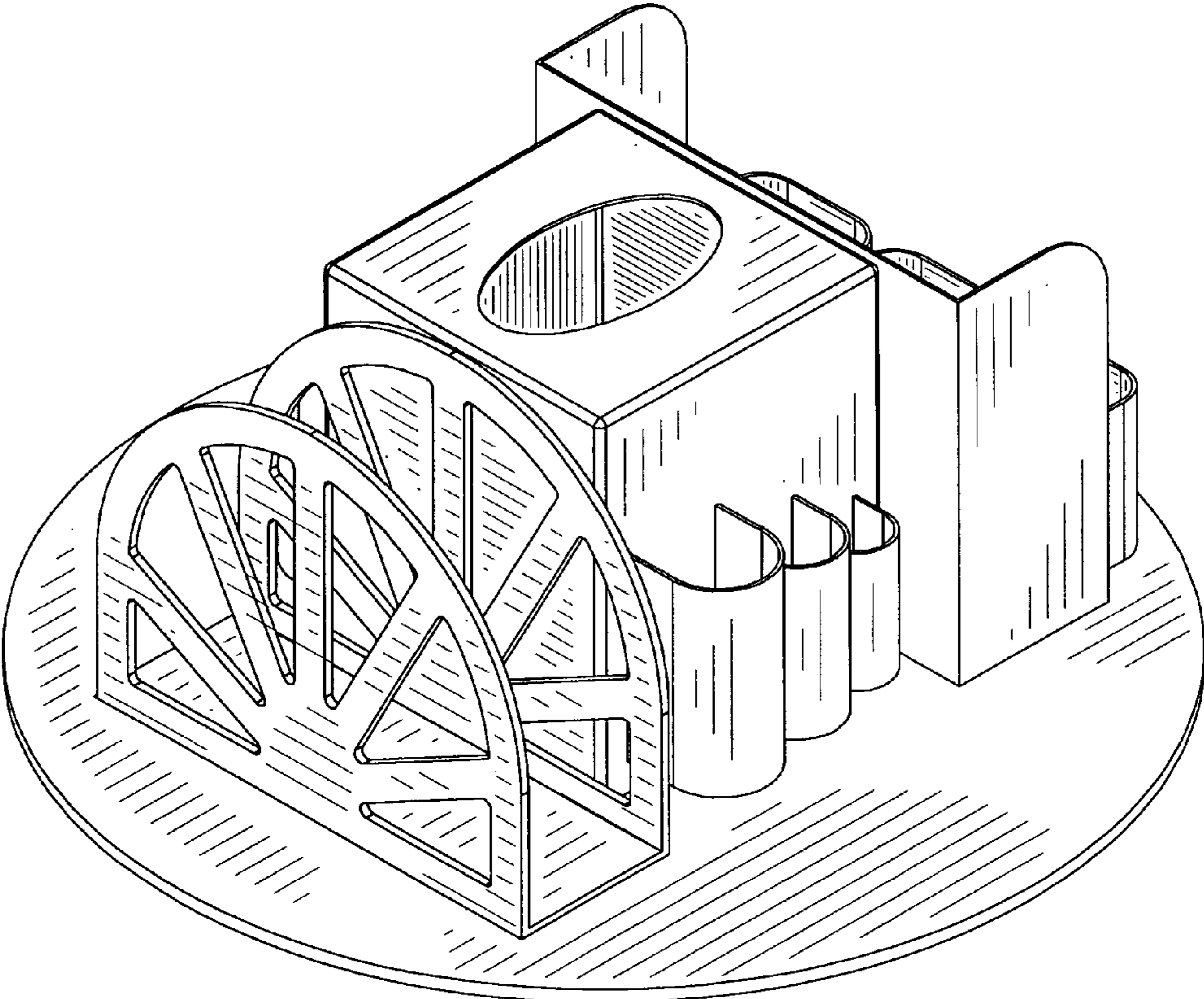


Fig. 4

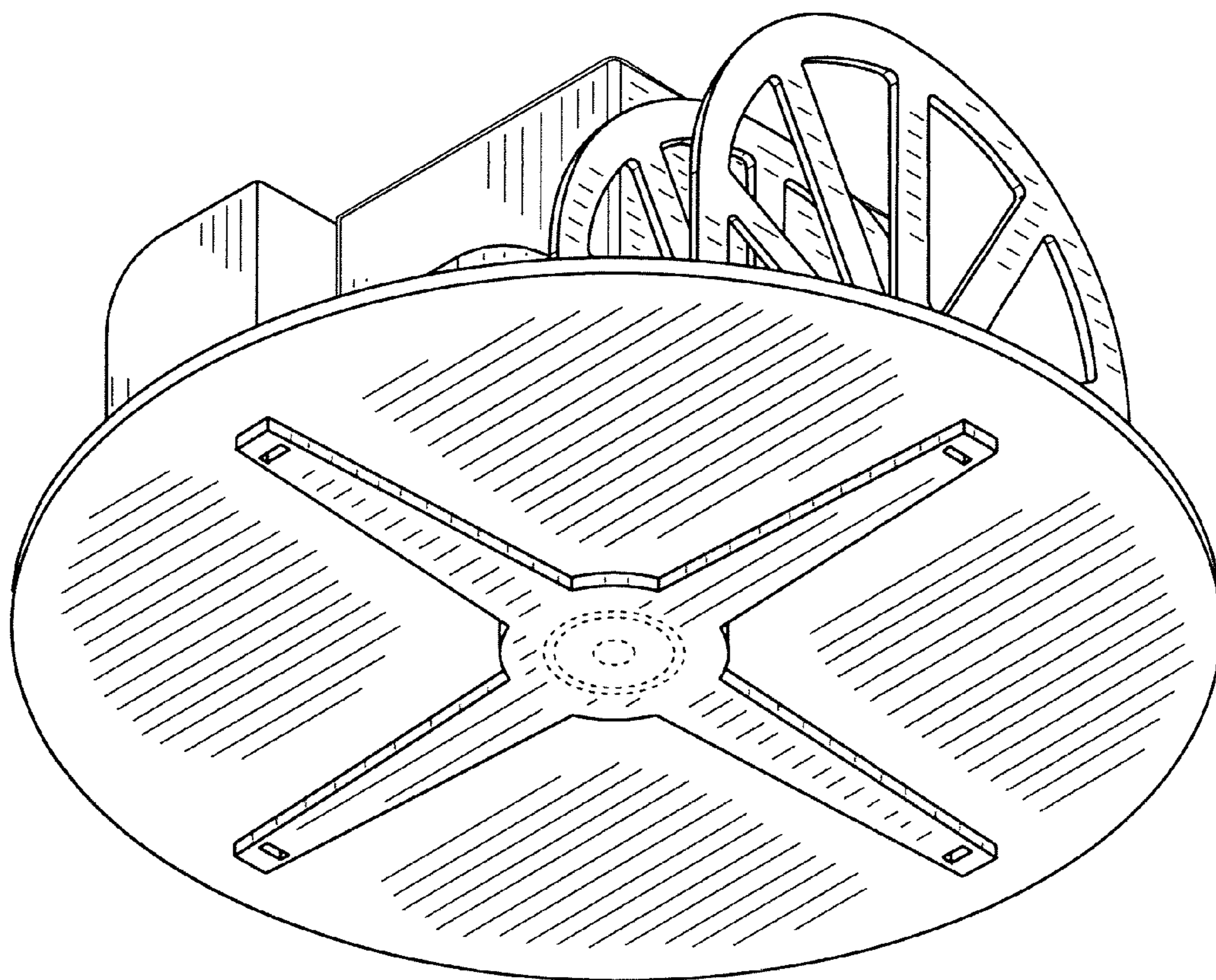


Fig. 5

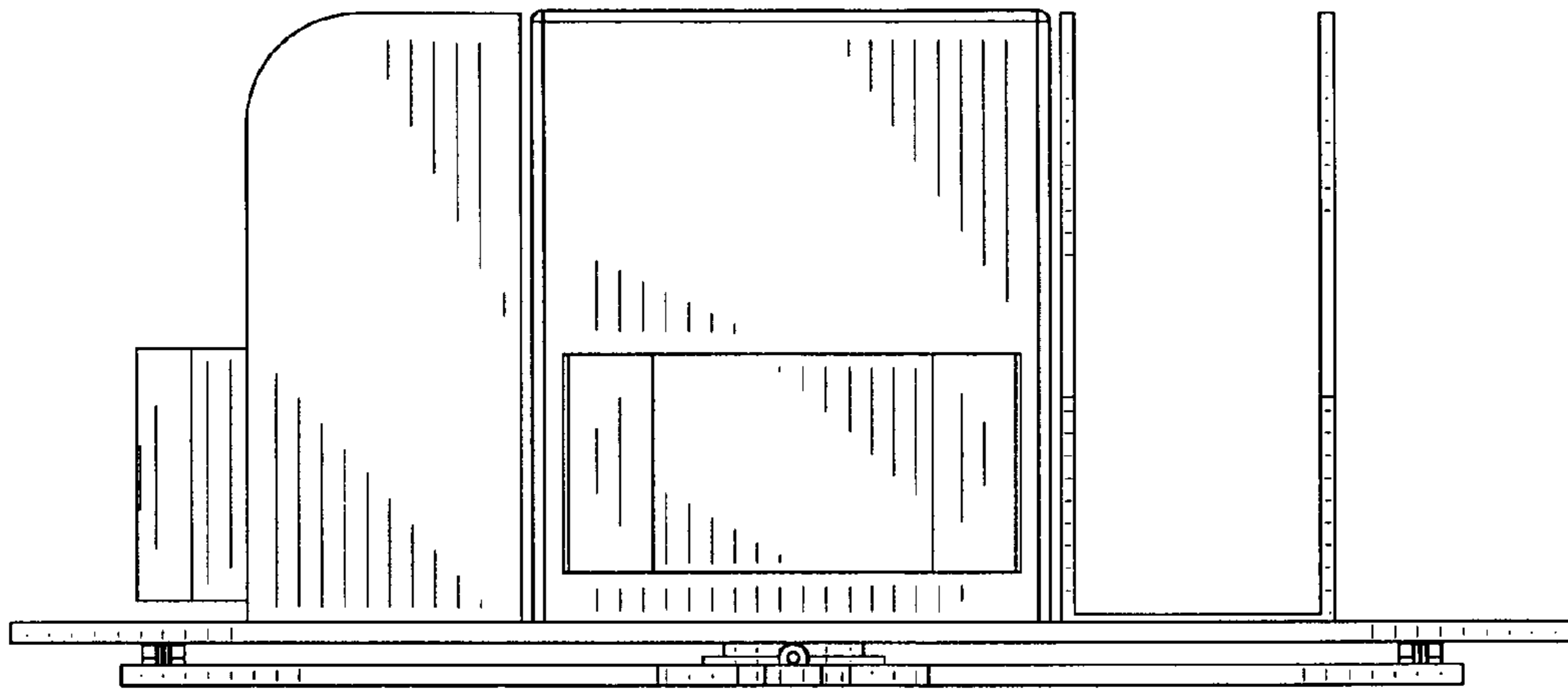


Fig. 6

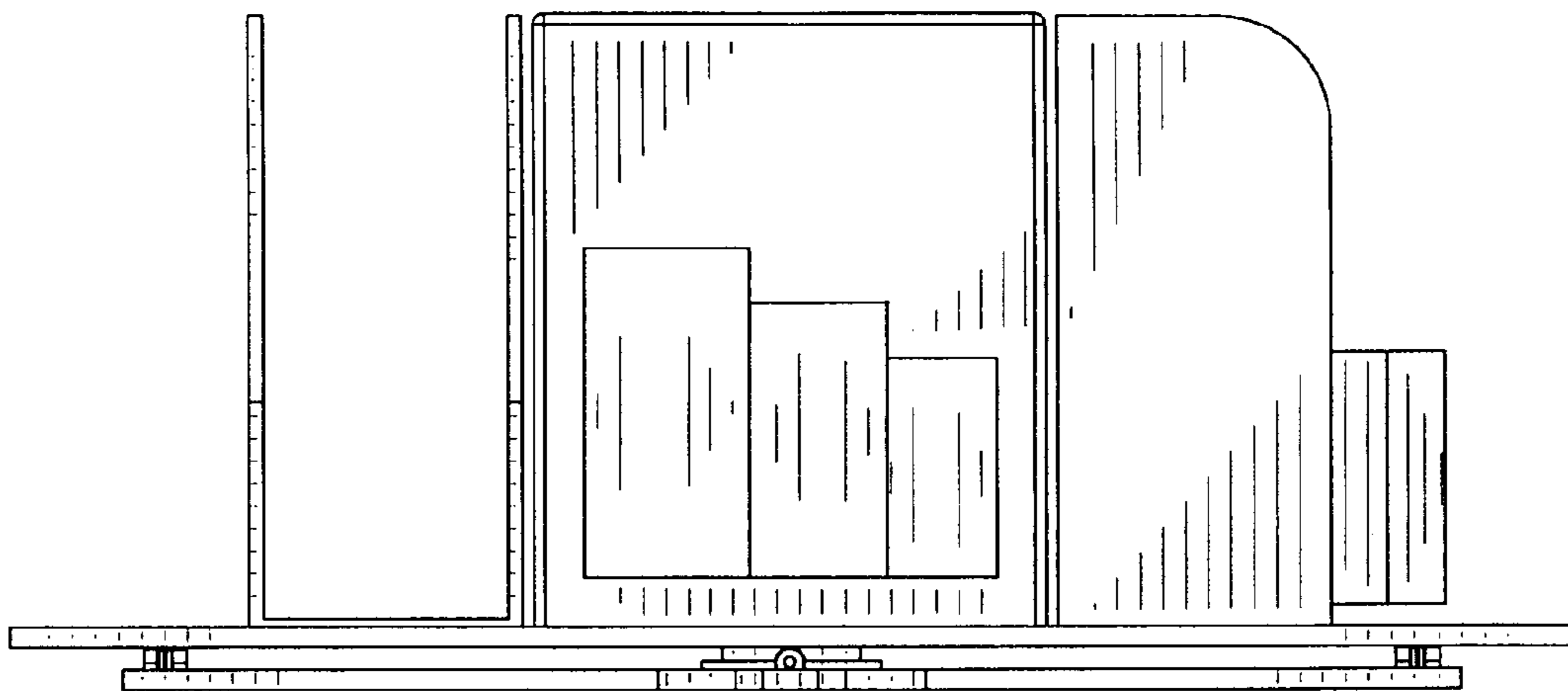


Fig. 7

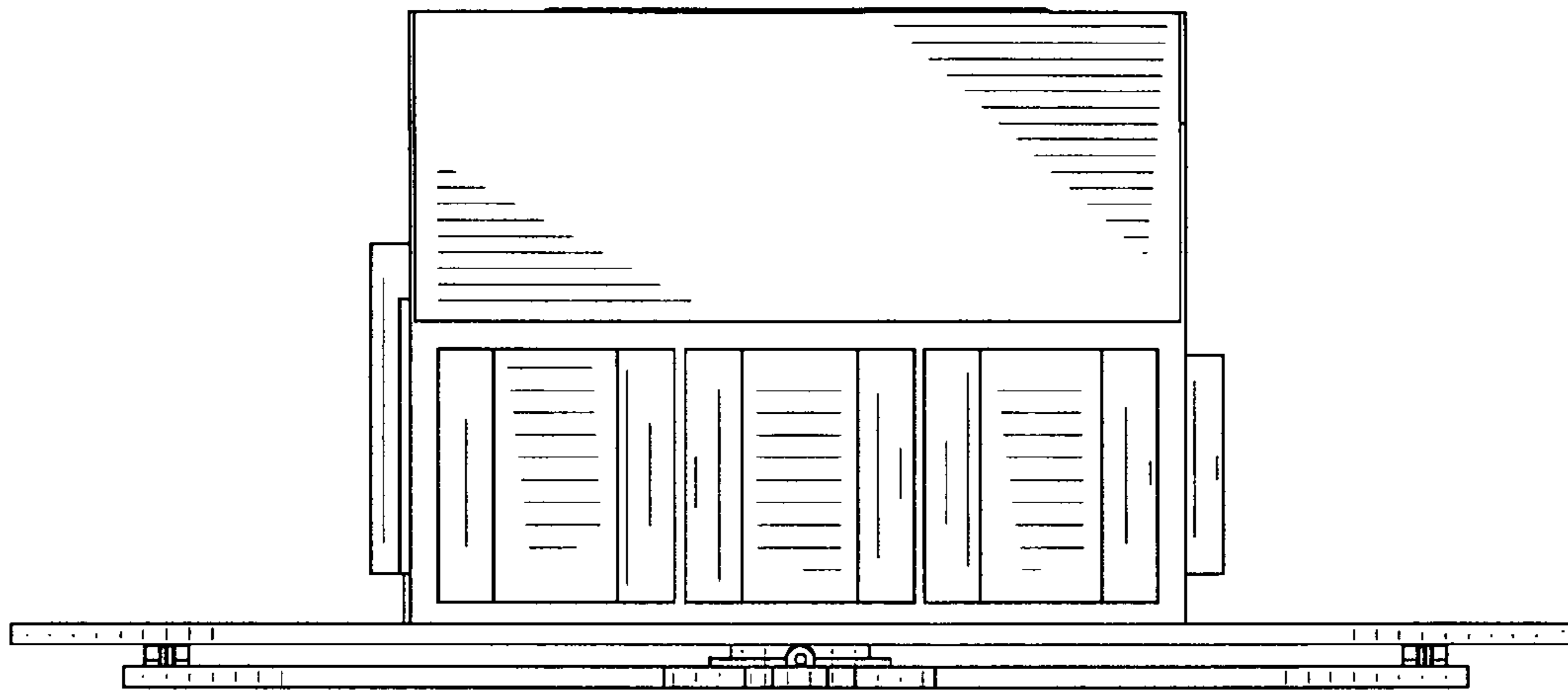


Fig. 8

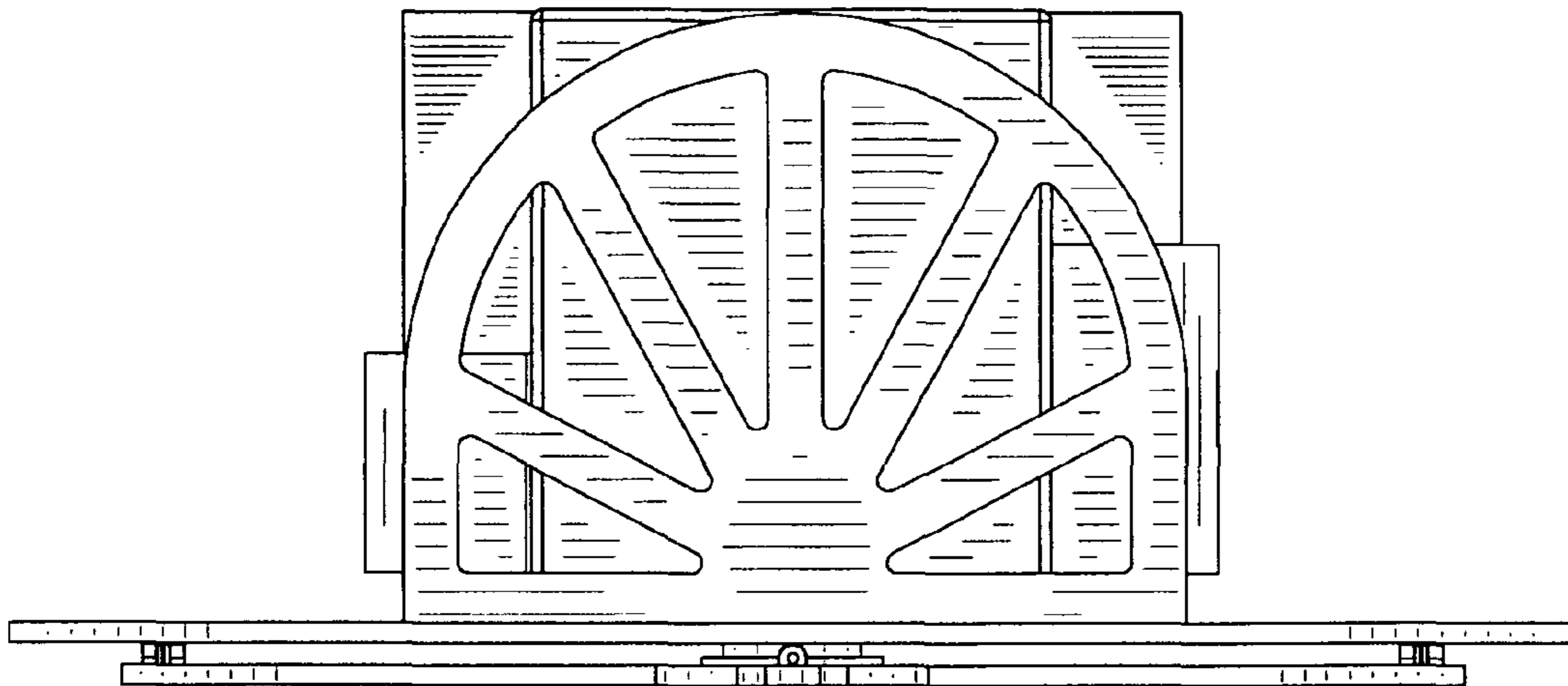


Fig. 9

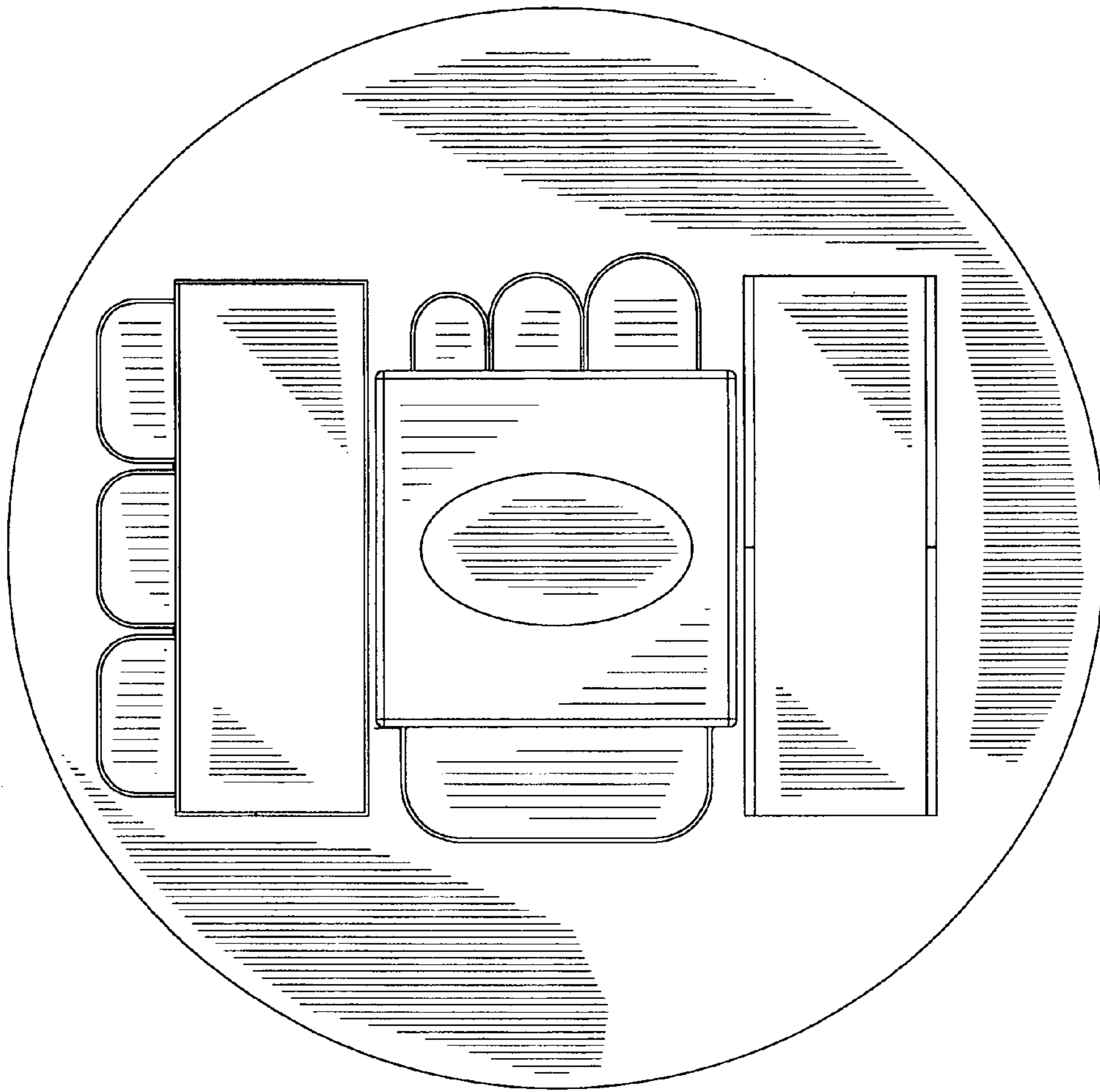


Fig. 10

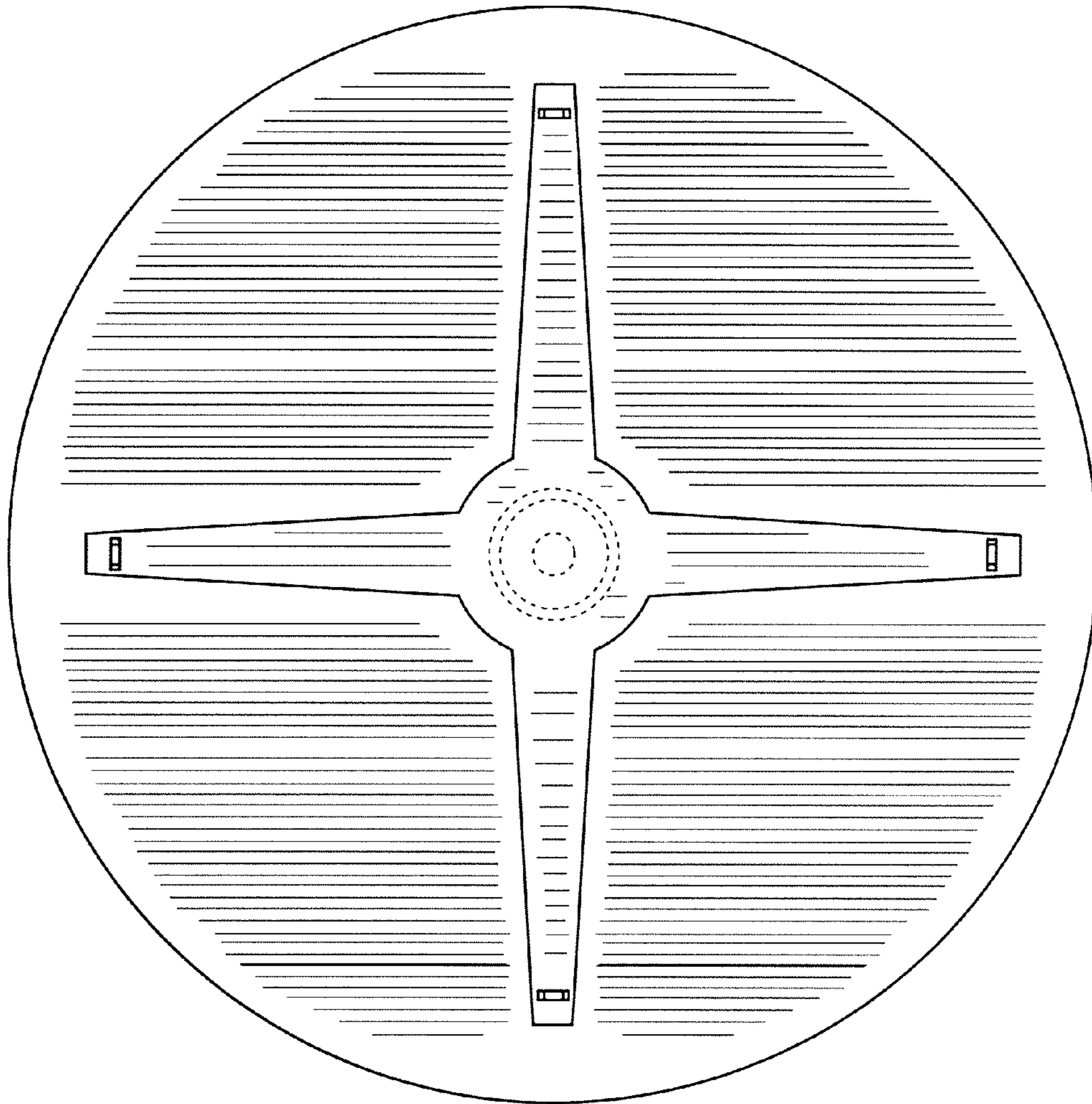


Fig. 11

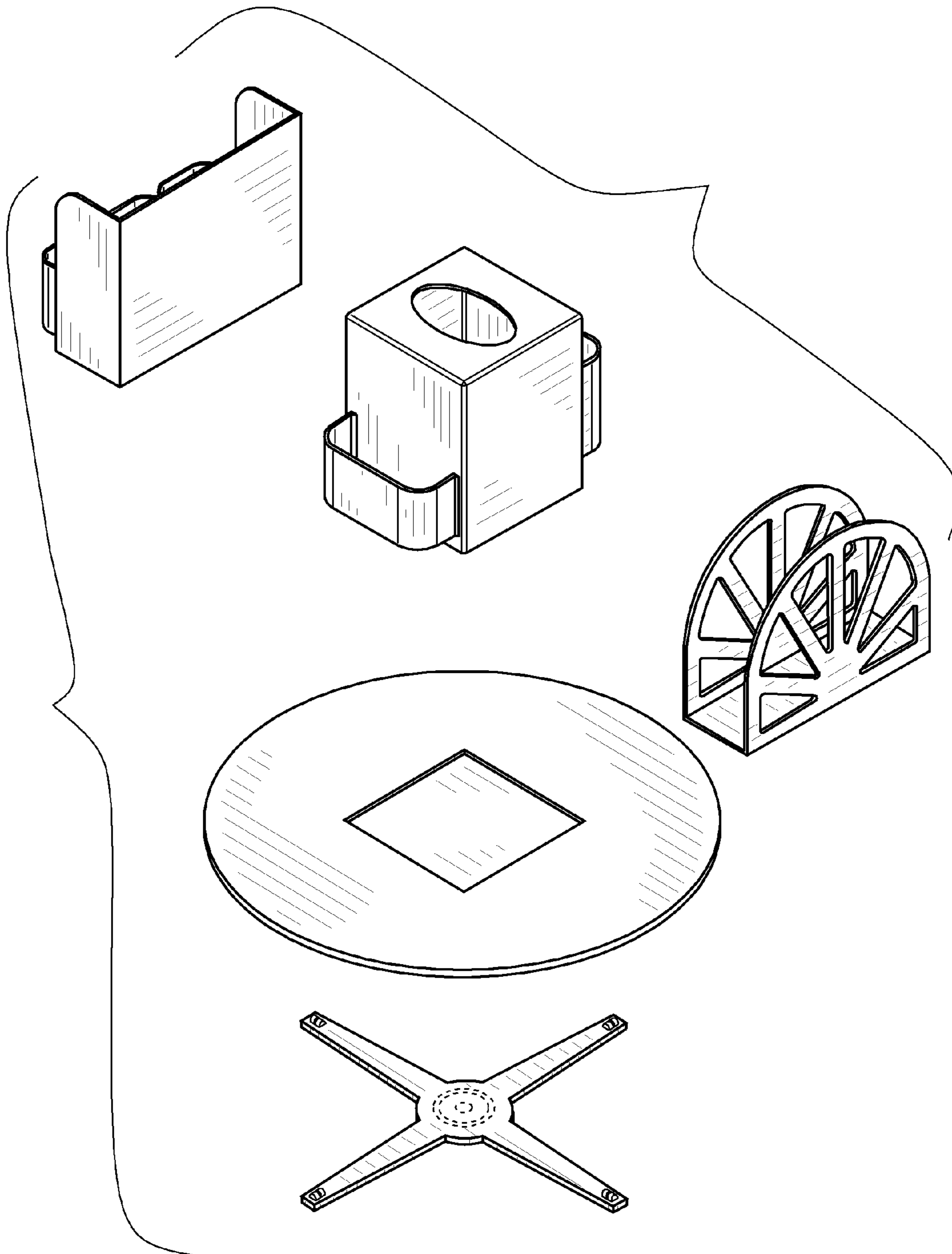


Fig. 12

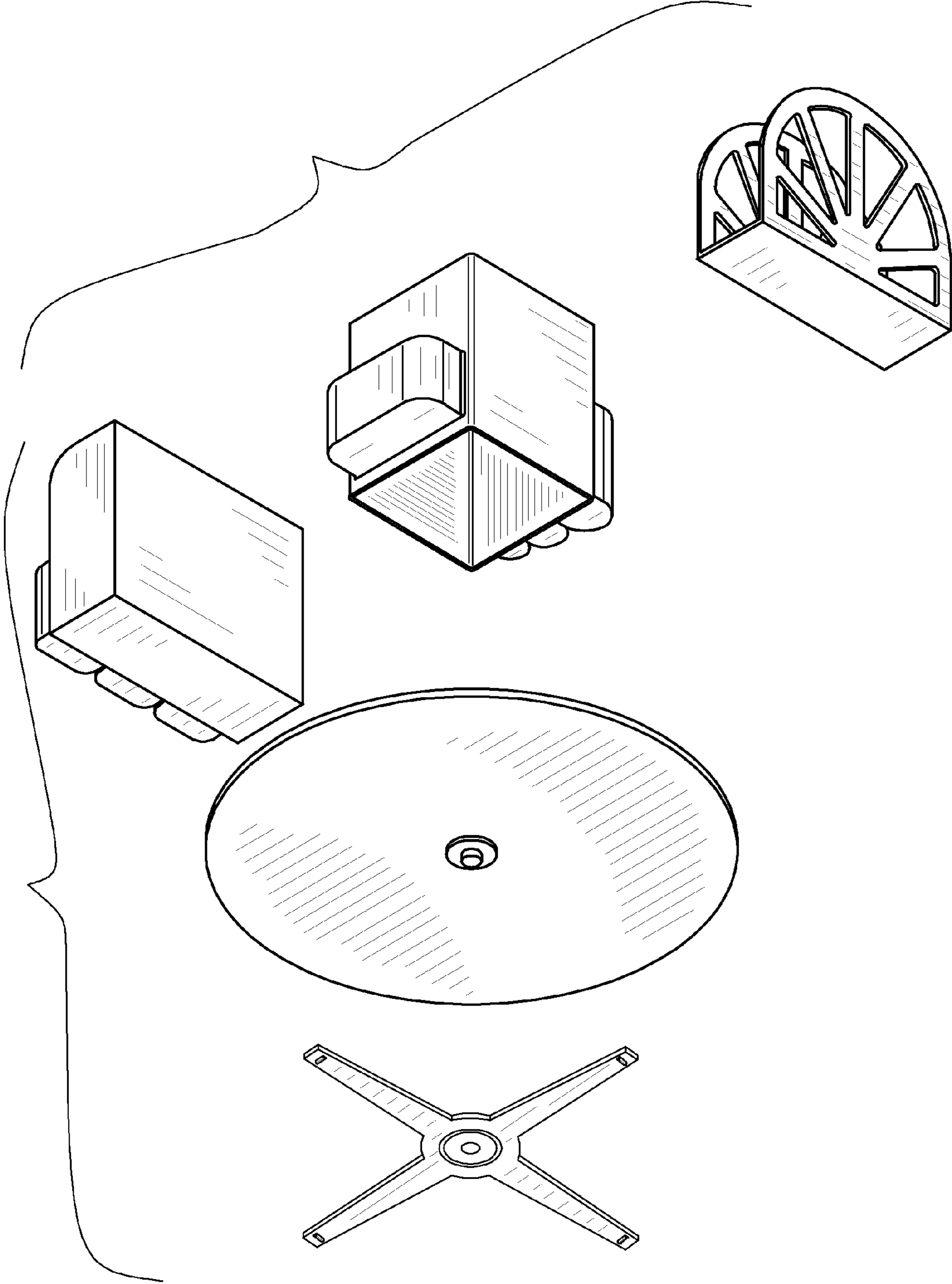


Fig. 13