



US00D692719S

(12) **United States Design Patent**  
**Shahani**

(10) **Patent No.:** **US D692,719 S**  
(45) **Date of Patent:** **\*\* Nov. 5, 2013**

- (54) **COOKWARE LID**
  - (71) Applicant: **Rajoo M. Shahani**, Fairlawn, NJ (US)
  - (72) Inventor: **Rajoo M. Shahani**, Fairlawn, NJ (US)
  - (73) Assignee: **Telebrands Corp.**, Fairfield, NJ (US)
  - (\*\*) Term: **14 Years**
  - (21) Appl. No.: **29/441,326**
  - (22) Filed: **Jan. 3, 2013**
  - (51) **LOC (9) Cl.** ..... **07-02**
  - (52) **U.S. Cl.**  
USPC ..... **D7/391; D7/354**
  - (58) **Field of Classification Search**  
USPC ..... D7/307, 323, 329-332, 339, 346-347,  
D7/350.1-350.4, 353-367, 391, 393, 395,  
D7/402, 406, 409, 538, 542, 629;  
99/324-325, 331-332, 337-343, 369,  
99/400-418, 422, 425, 444, 451, 483;  
126/37 R, 261, 374.1, 378.1;  
206/501-505, 507-508; 219/400, 405,  
219/429-442, 620-624, 725, 730-735;  
220/203.05, 203.07, 203.09, 298,  
220/315-316, 379, 573.1-573.5, 792, 912;  
426/438, 441
- See application file for complete search history.

D486,352 S *	2/2004	Park	.....	D7/358
7,025,312 B1	4/2006	Dare		
D549,517 S *	8/2007	Moran	.....	D7/358
D588,397 S *	3/2009	Naef et al.	.....	D7/354
D607,267 S *	1/2010	Molayem	.....	D7/358
D641,204 S *	7/2011	Baumgartner et al.	.....	D7/360
D642,856 S *	8/2011	Bock et al.	.....	D7/357
D646,117 S *	10/2011	Thelen et al.	.....	D7/358
8,167,163 B2	5/2012	Chen		
D674,660 S *	1/2013	Chen	.....	D7/391

**FOREIGN PATENT DOCUMENTS**

DE	10 229 967 C1	9/2003
GB	407152	3/1934
JP	2000-116523	4/2000

**OTHER PUBLICATIONS**

“Pot Lid Stand” advertisement accessed from www.alibaba.com on Jan. 17, 2012.  
“Cooking Pot with Standing Lid” advertisement accessed from www.alibaba.com on Jan. 17, 2012.

\* cited by examiner

*Primary Examiner* — Ricky Pham  
(74) *Attorney, Agent, or Firm* — Cooper & Dunham LLP

(57) **CLAIM**  
The ornamental design for a cookware lid, as shown and described.

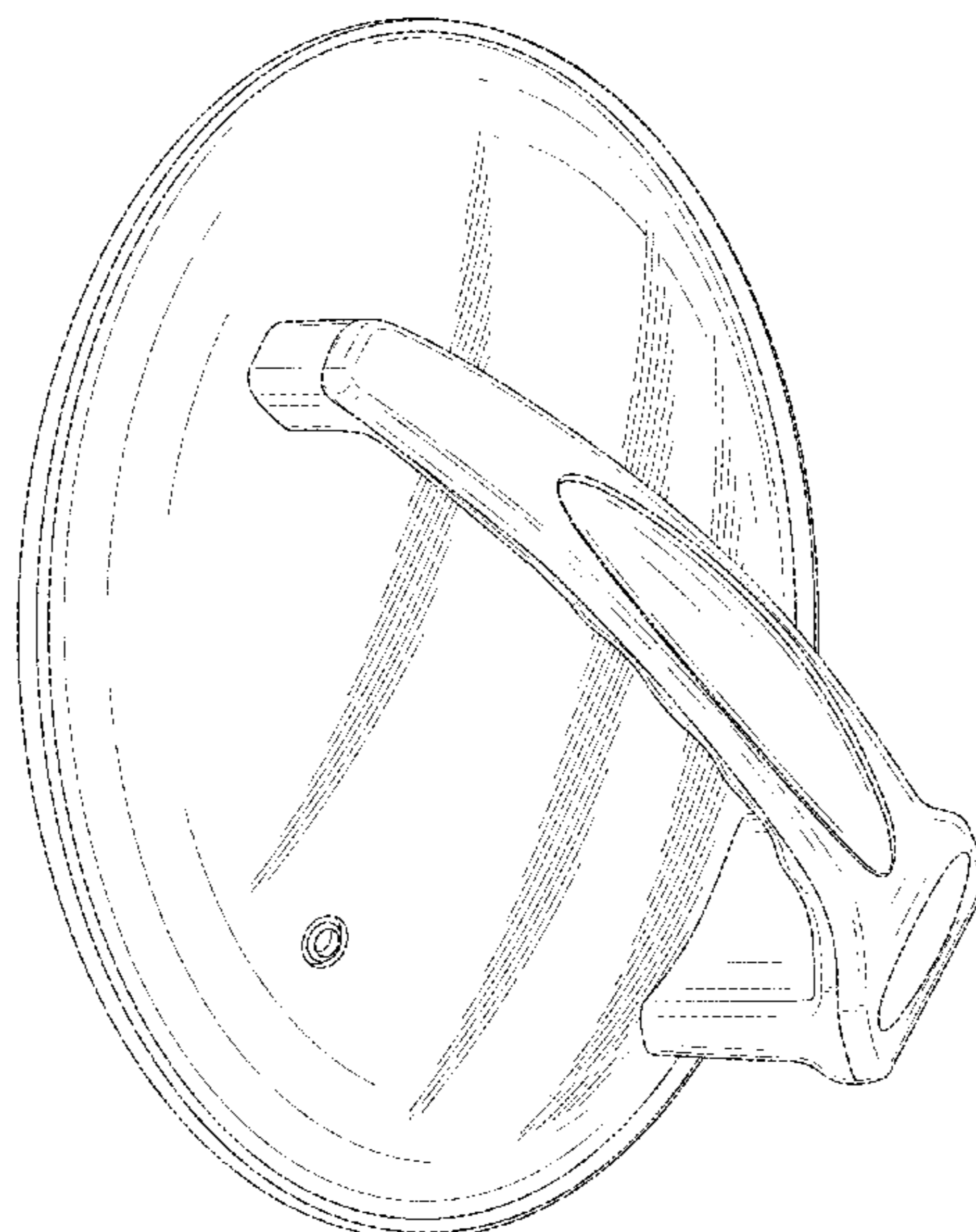
**DESCRIPTION**

FIG. 1 is a top perspective view thereof;  
FIG. 2 is a top view thereof;  
FIG. 3 is a bottom view thereof;  
FIG. 4 is a right side view thereof;  
FIG. 5 is a left side view thereof;  
FIG. 6 is a front side view thereof; and,  
FIG. 7 is a rear side view thereof.

**1 Claim, 5 Drawing Sheets**

(56) **References Cited**  
**U.S. PATENT DOCUMENTS**

153,488 A	7/1874	Hill	
498,020 A	5/1893	Murray	
2,808,175 A *	10/1957	Aiken	..... 220/379
D192,257 S *	2/1962	Ebstein	..... D7/393
5,127,616 A	7/1992	Carney	
D345,886 S *	4/1994	Gingele	..... D7/360
D445,631 S *	7/2001	Elorza	..... D7/358
D448,965 S *	10/2001	Jang-Won	..... D7/360



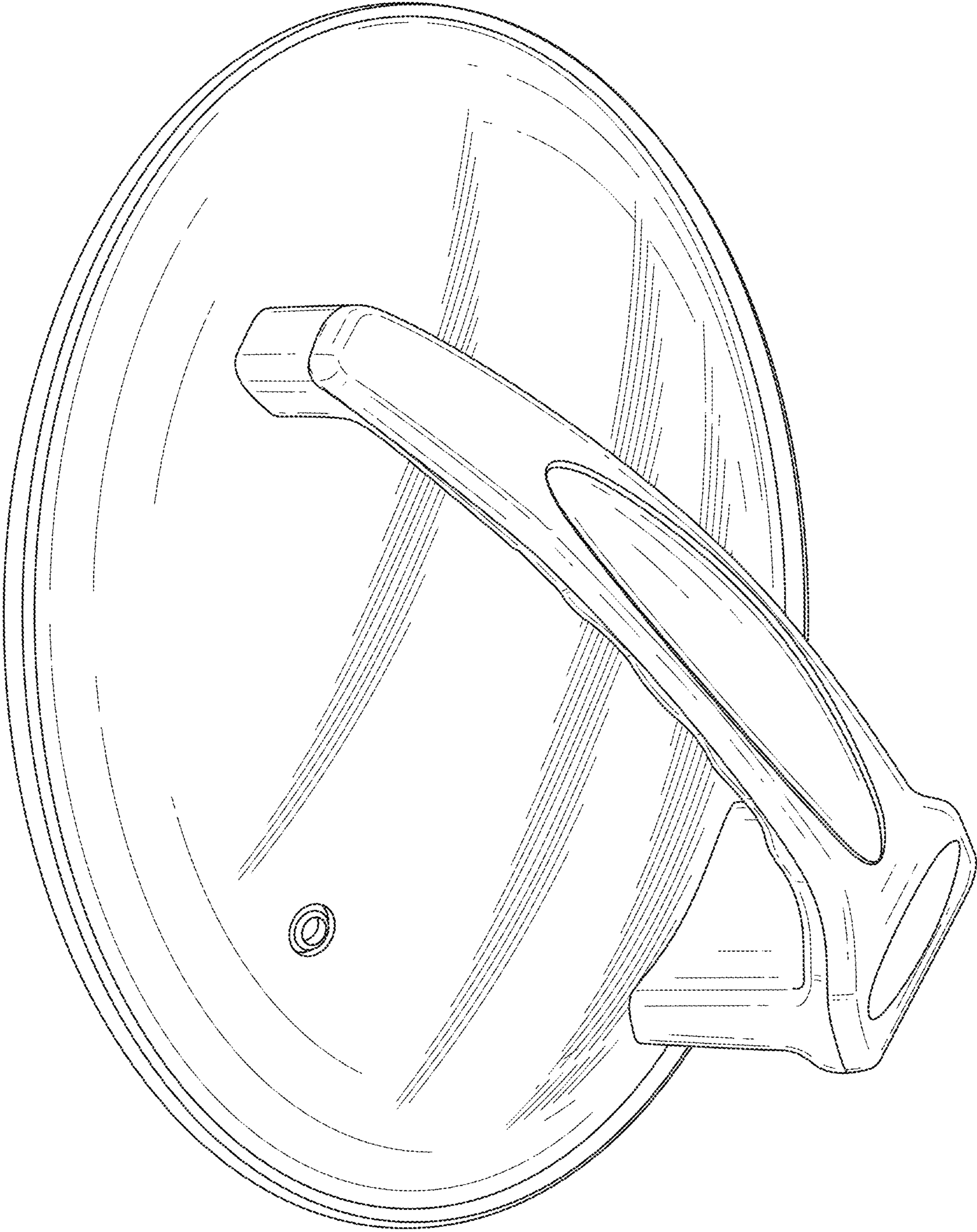


FIG. 1

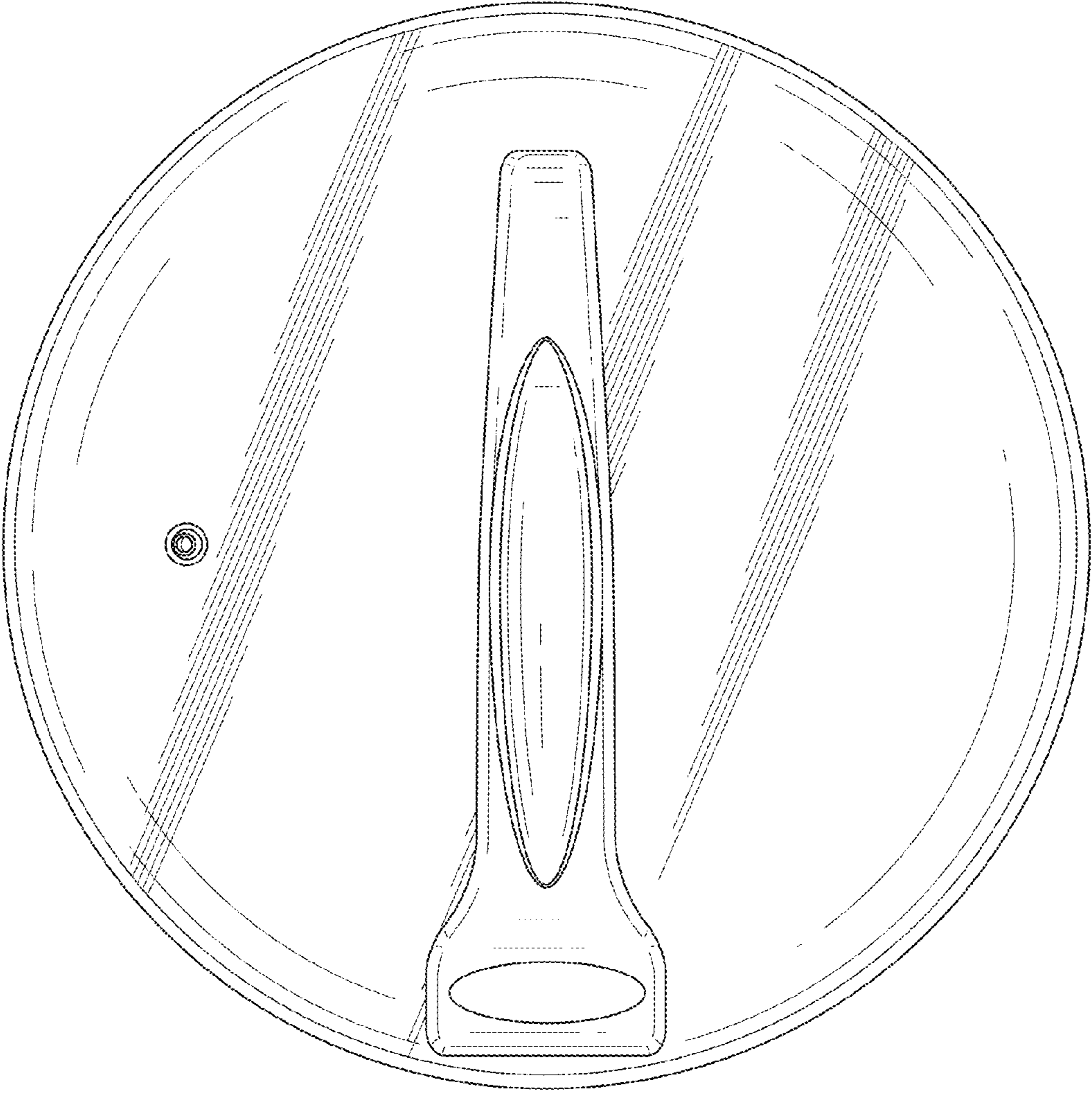


FIG. 2



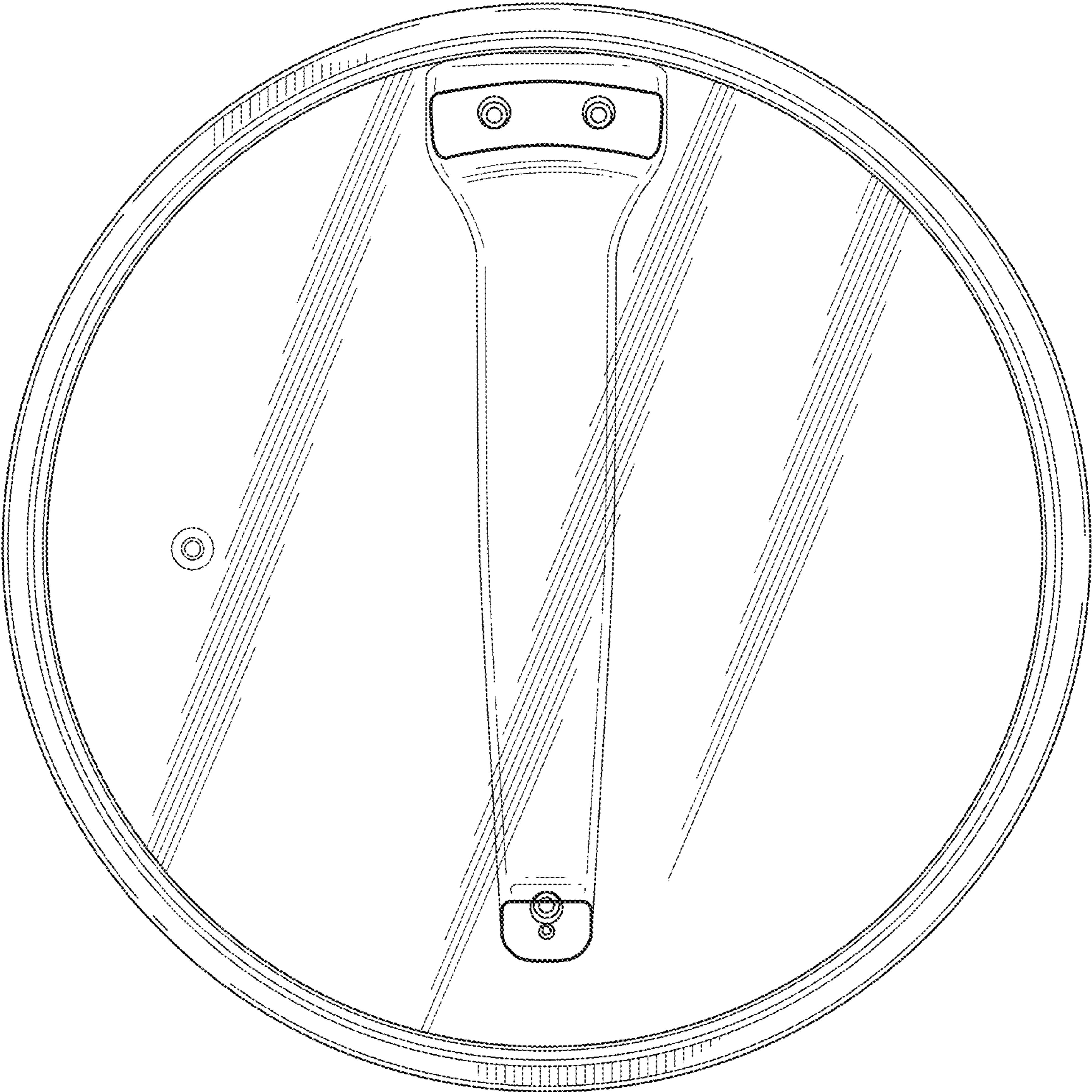


FIG. 3

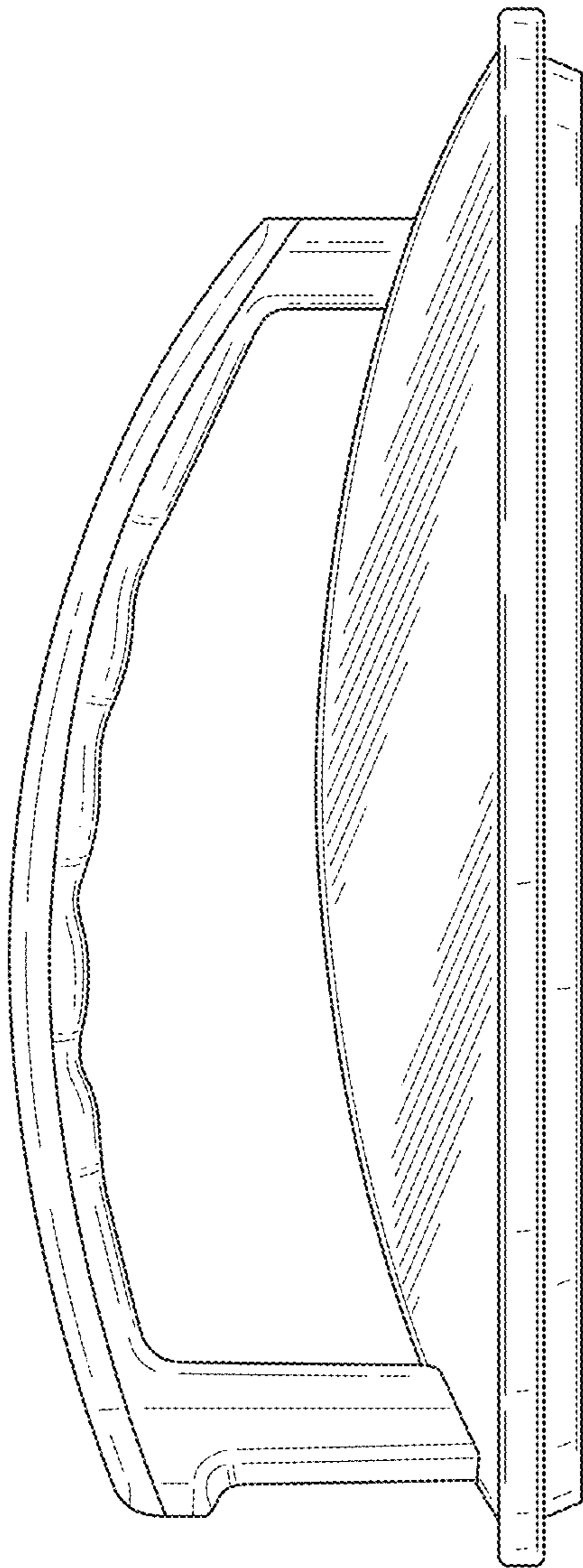


FIG. 4

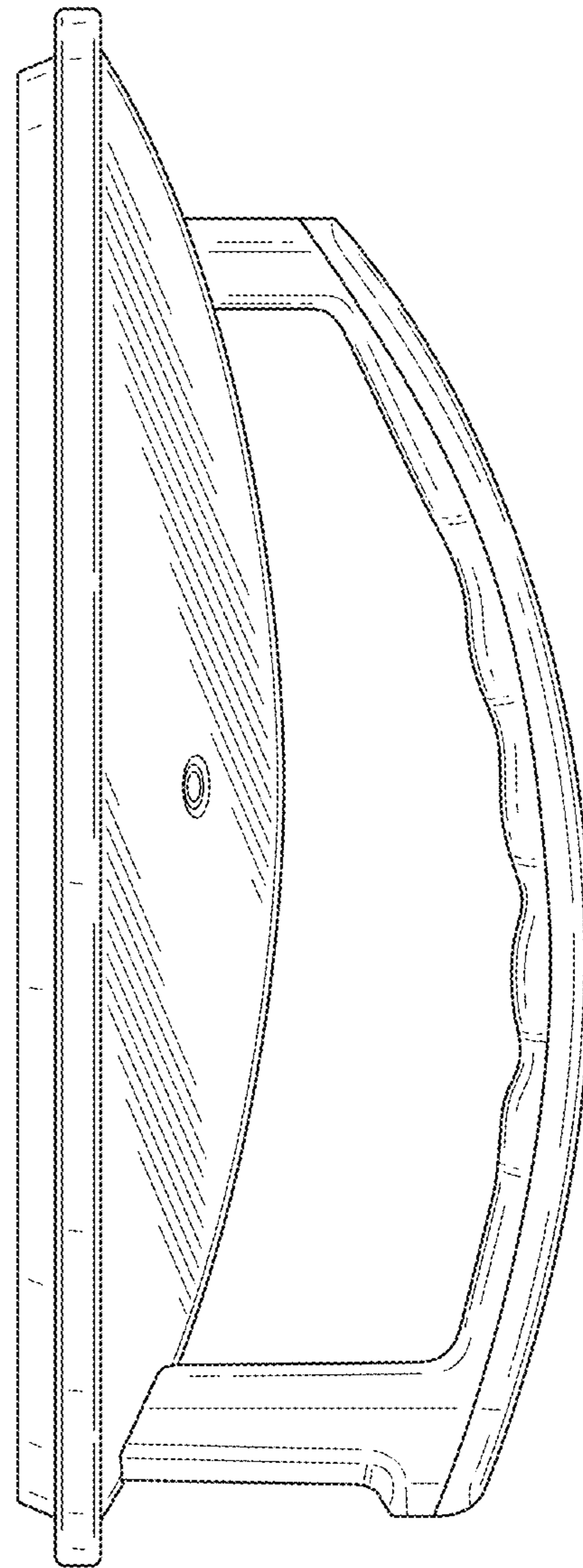


FIG. 5

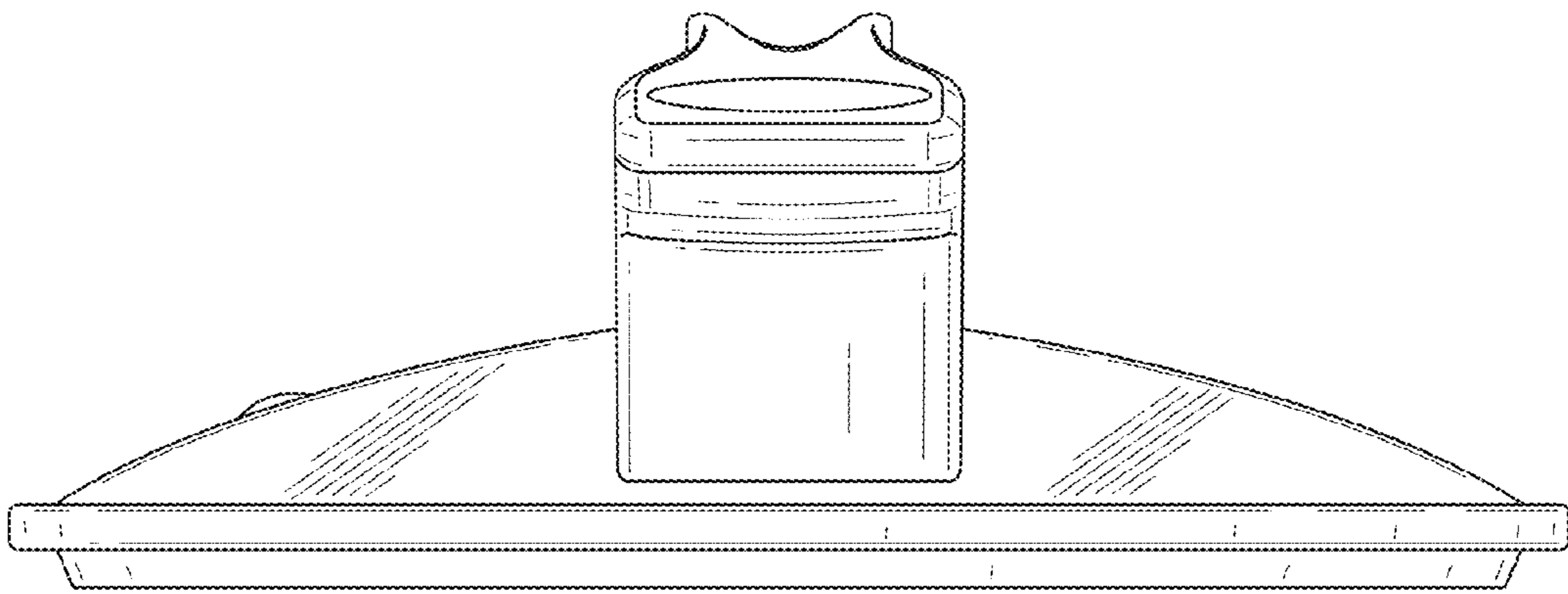


FIG. 6

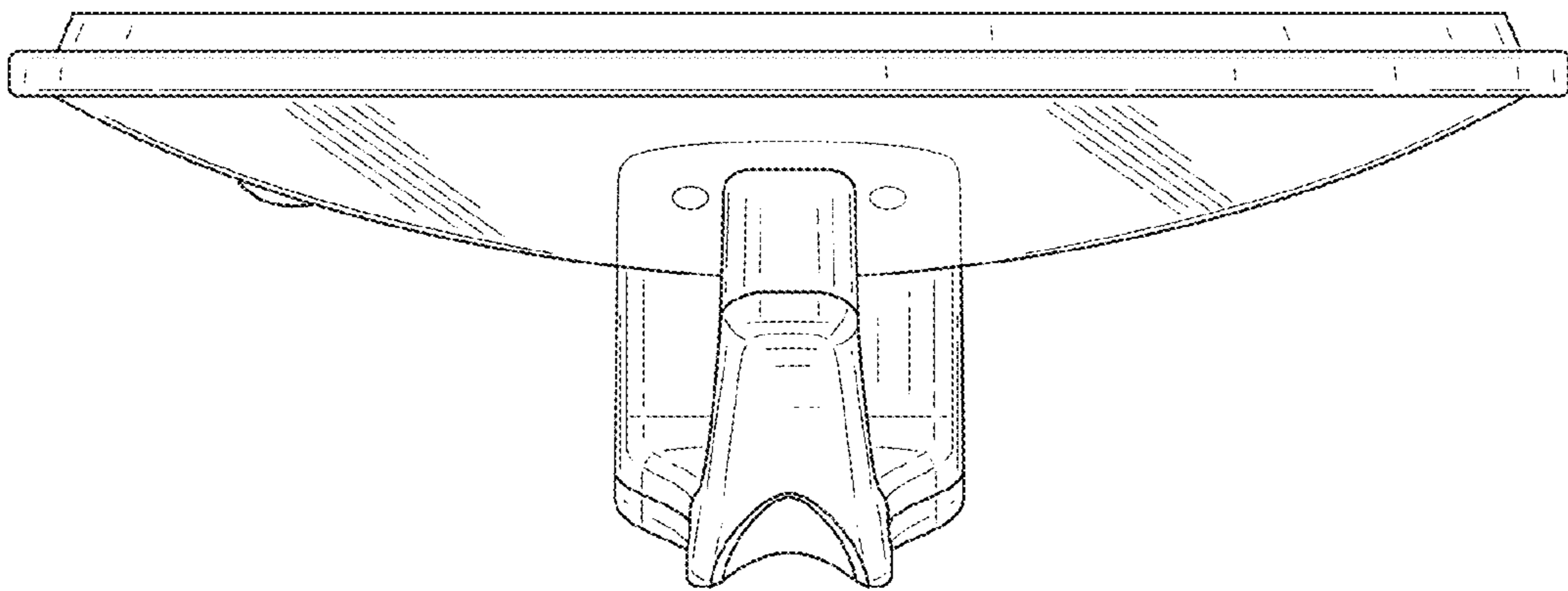


FIG. 7