



US00D692718S

(12) **United States Design Patent**
Verbrugge et al.

(10) **Patent No.:** **US D692,718 S**

(45) **Date of Patent:** **** Nov. 5, 2013**

(54) **AIR FRYER**

(56) **References Cited**

(71) Applicant: **Koninklijke Philips Electronics N.V.**,
Eindhoven (NL)

U.S. PATENT DOCUMENTS

(72) Inventors: **Frank Verbrugge**, Rosmalen (NL);
Roeland Gerard Krooshof, Rotterdam
(NL)

3,020,824	A	*	2/1962	Pantermoller	99/346
D299,903	S	*	2/1989	Grutzke	D7/357
D313,531	S	*	1/1991	Barrault	D7/360
D369,270	S	*	4/1996	Payen	D7/354
6,499,390	B1	*	12/2002	Huang	99/331
D525,478	S	*	7/2006	Averty	D7/354
D533,393	S	*	12/2006	Sidet et al.	D7/354
D552,921	S	*	10/2007	Garman et al.	D7/354
D555,427	S	*	11/2007	Picozza et al.	D7/412
D674,651	S	*	1/2013	Berge	D7/354
D680,800	S	*	4/2013	Berge	D7/354
D680,802	S	*	4/2013	Seymour	D7/354
2008/0274246	A1	*	11/2008	Glucksman et al.	426/425

(73) Assignee: **Koninklijke Philips N.V.**, Eindhoven
(NL)

(**) Term: **14 Years**

(21) Appl. No.: **29/446,727**

* cited by examiner

(22) Filed: **Feb. 27, 2013**

Primary Examiner — Ricky Pham

(30) **Foreign Application Priority Data**

Aug. 30, 2012 (EM) 002095083-0001

(51) **LOC (9) Cl.** **07-02**

(57) **CLAIM**

(52) **U.S. Cl.**

The ornamental design for an air fryer, as shown.

USPC **D7/354**

(58) **Field of Classification Search**

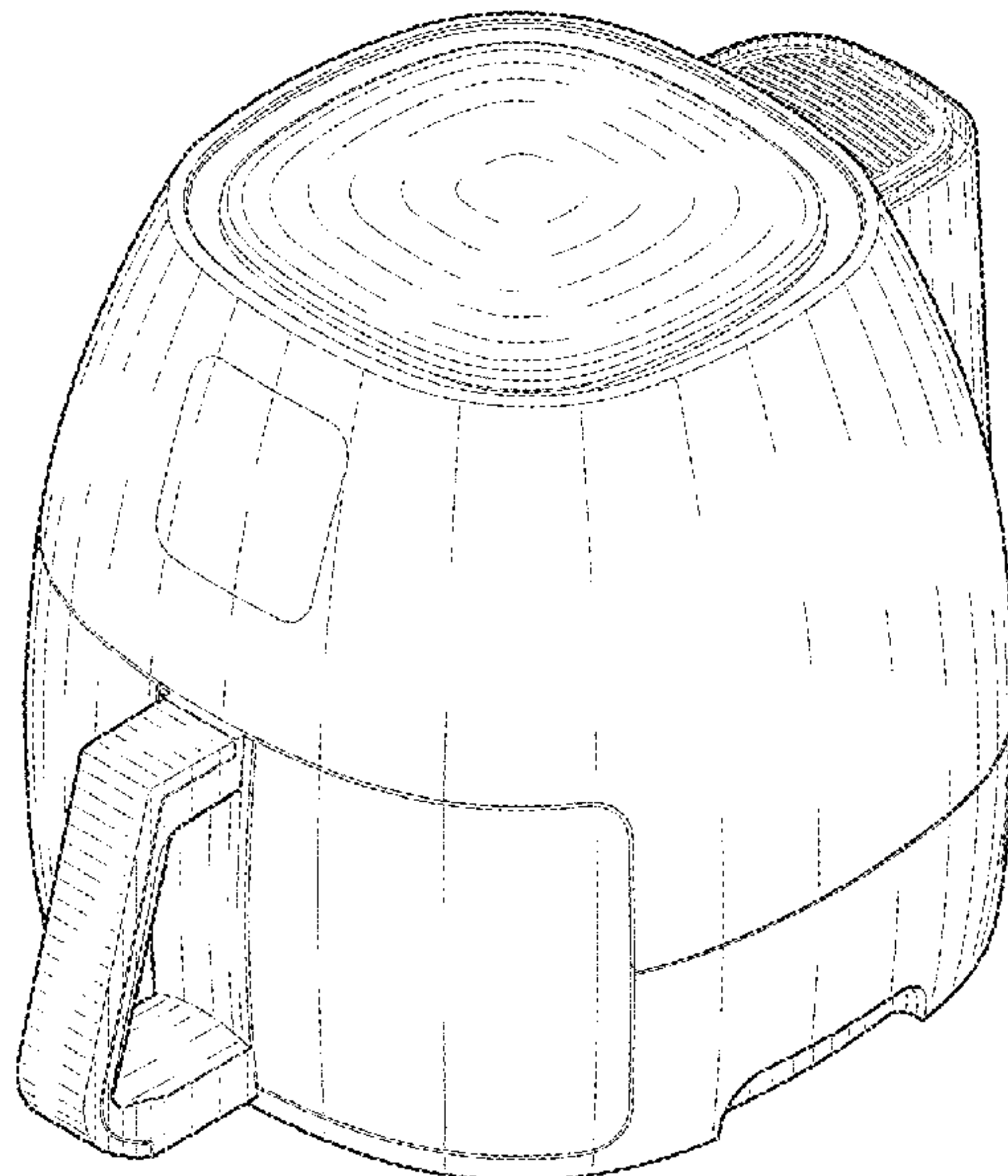
DESCRIPTION

USPC D7/307, 323, 346-347, 350.1-350.4,
D7/353-367, 391, 393, 395, 402, 406, 412,
D7/538, 542; 99/324-325, 331-332,
99/337-346, 369, 400-418, 422, 425, 444,
99/451, 483; 126/37 R, 261, 374.1, 378.1;
206/501-505, 507-508; 219/400, 405,
219/429-442, 620-624, 725, 730-735;
220/203.05, 203.07, 203.09, 298,
220/315-316, 573.1-573.5, 912; 426/425,
426/438, 441

FIG. 1 is a perspective view showing my design;
FIG. 2 is a front elevational view thereof;
FIG. 3 is a rear elevational view thereof;
FIG. 4 is a right side elevational view thereof;
FIG. 5 is a left side elevational view thereof;
FIG. 6 is a top plan view thereof; and,
FIG. 7 is a bottom plan view thereof.

See application file for complete search history.

1 Claim, 4 Drawing Sheets



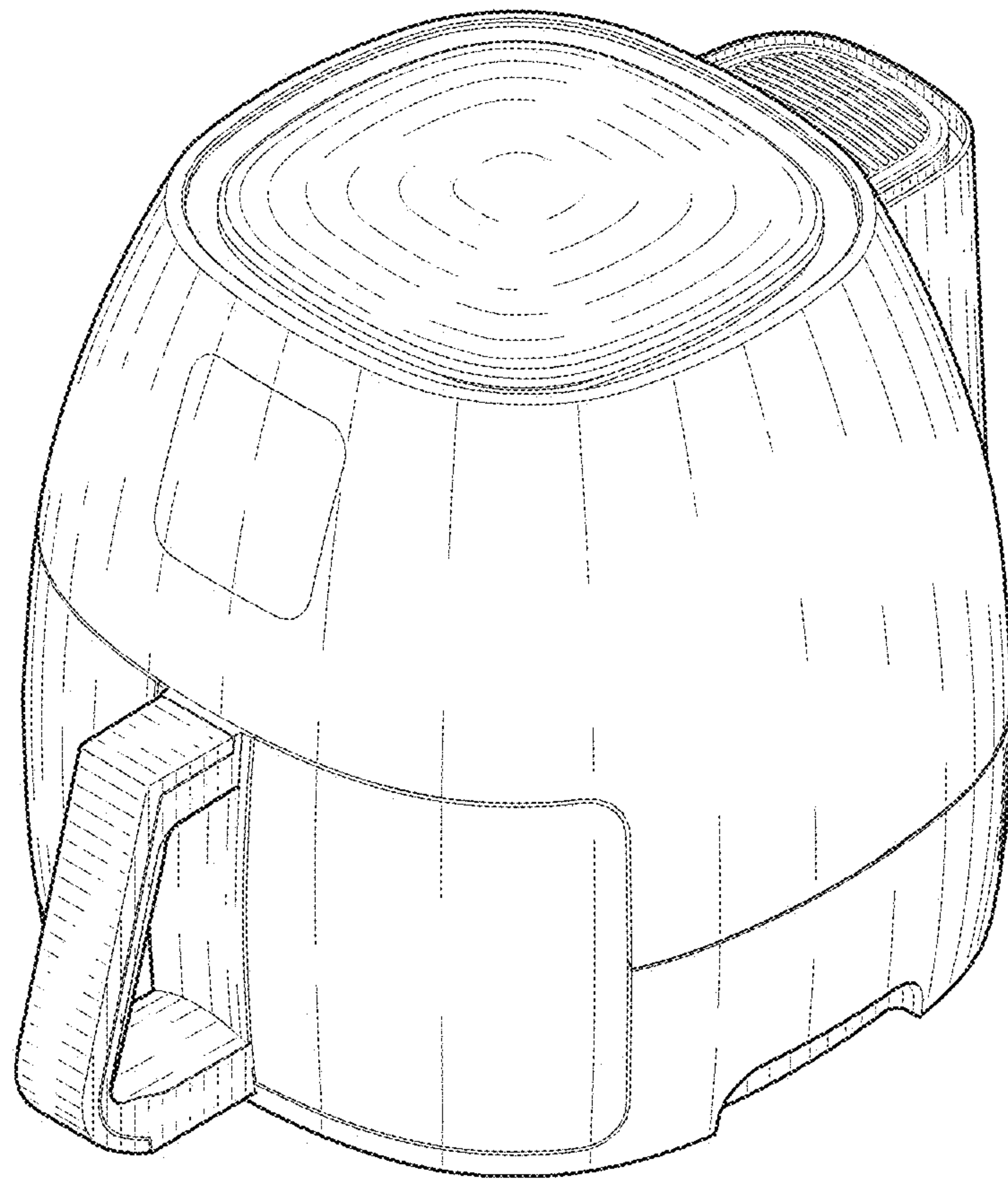


FIG. 1

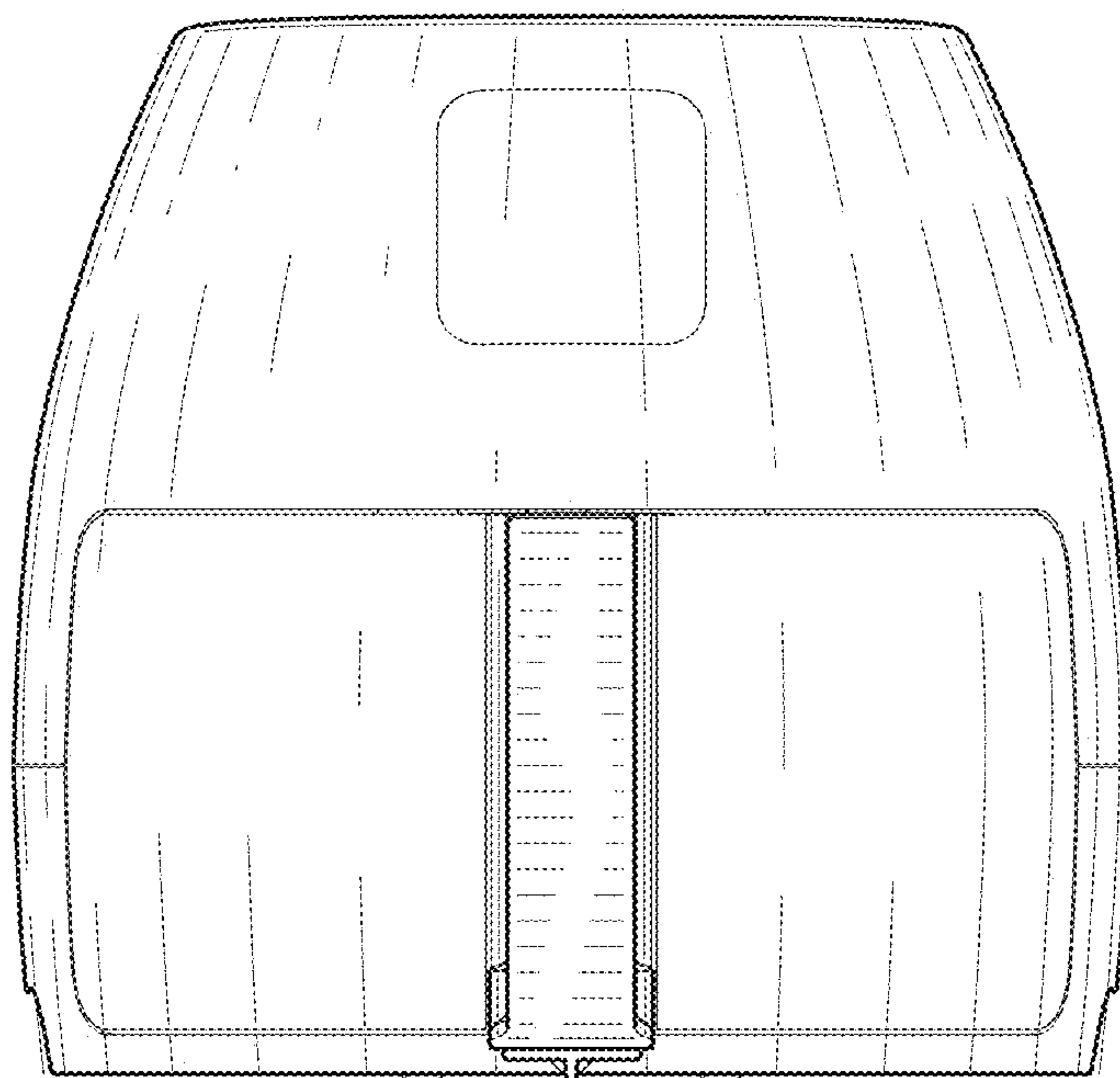


FIG. 2

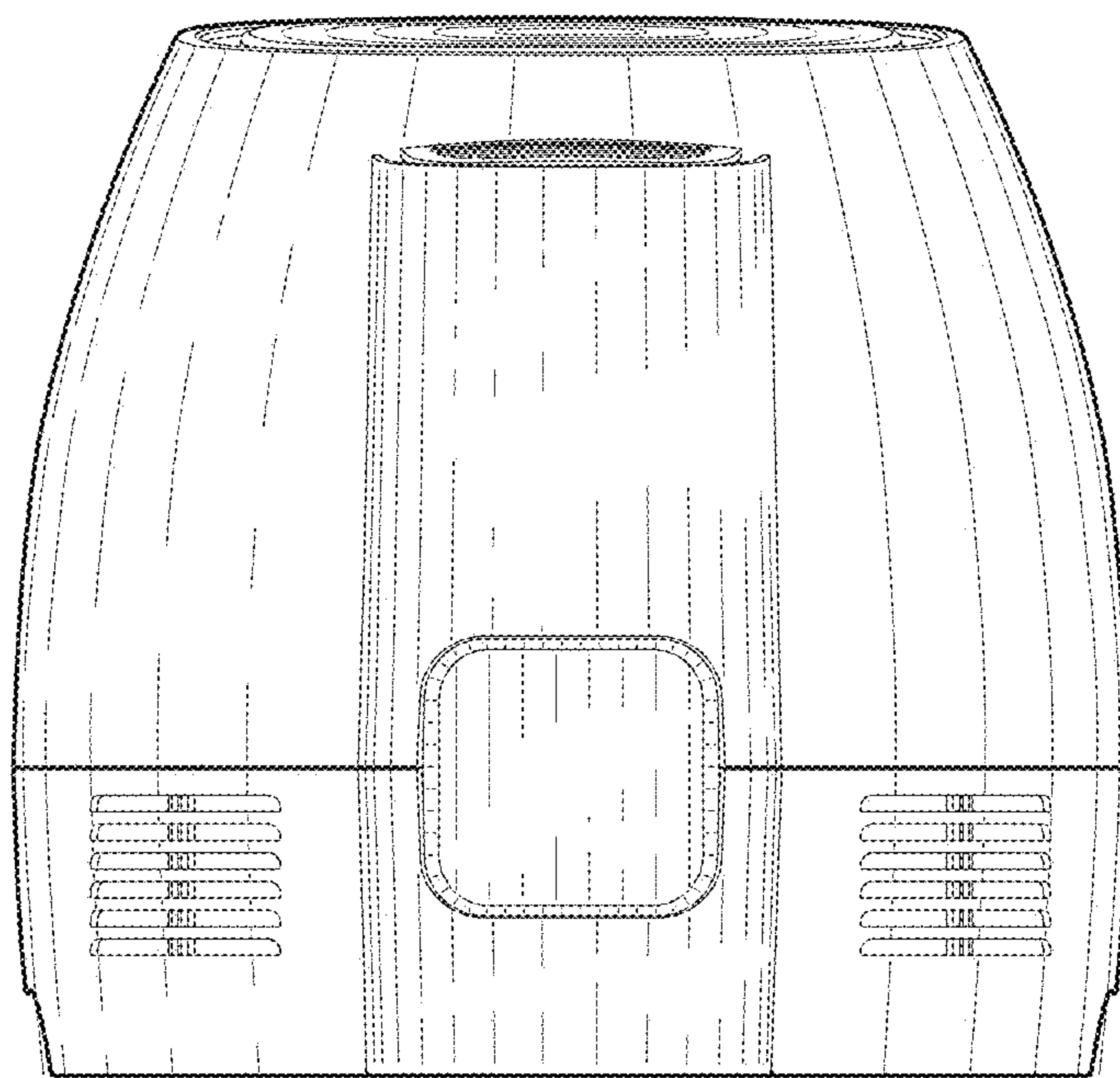


FIG. 3

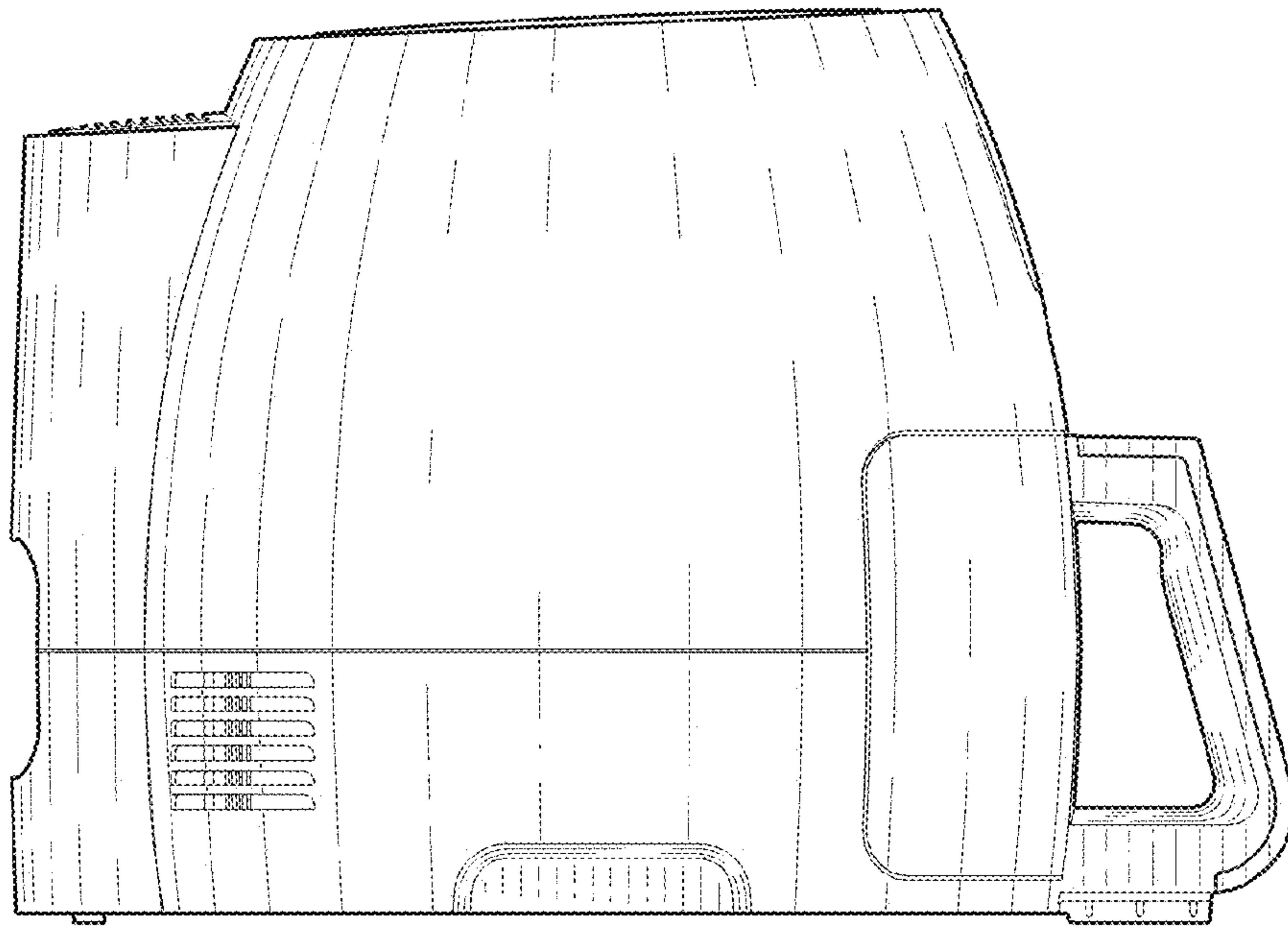


FIG. 4

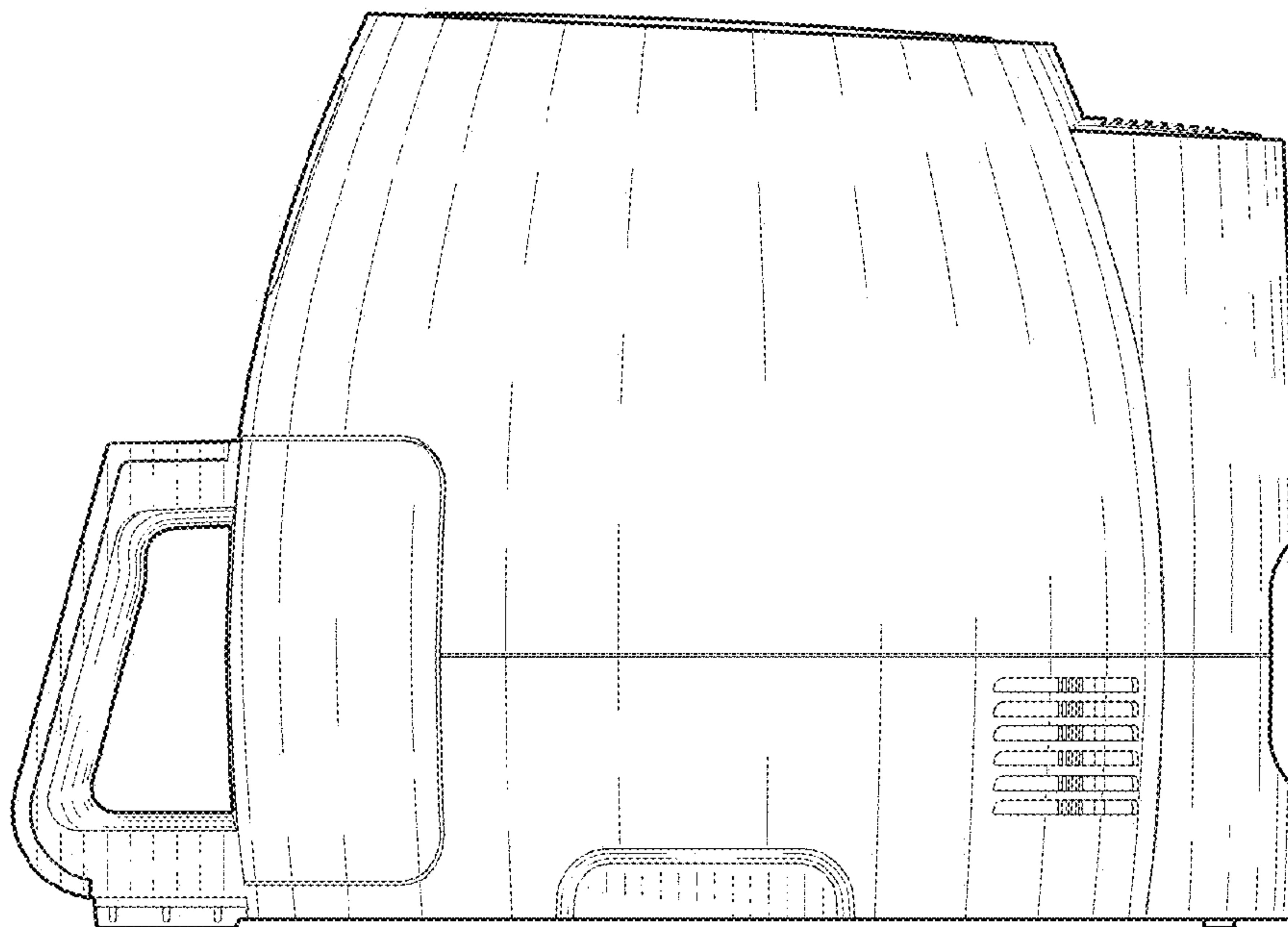


FIG. 5

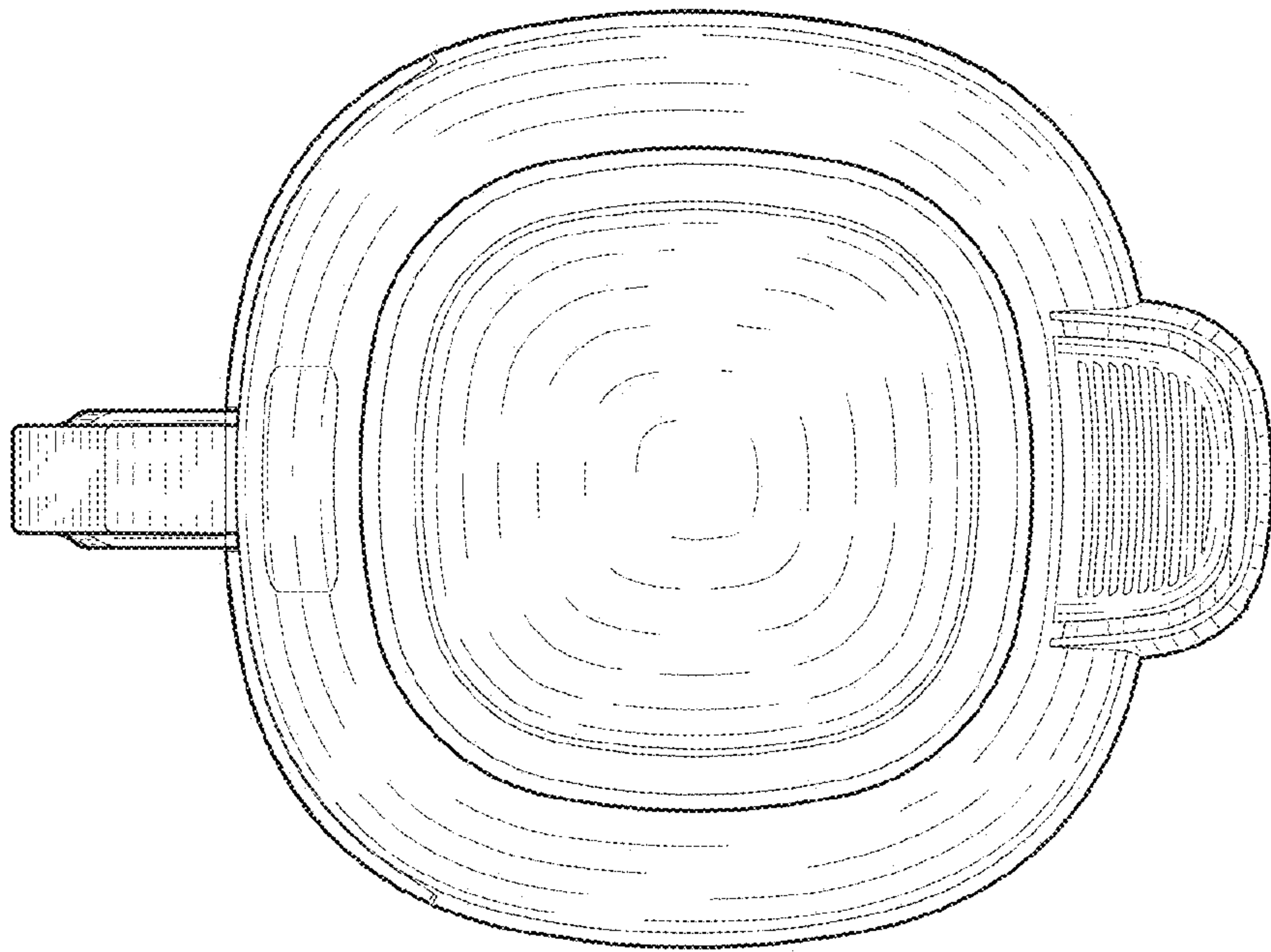


FIG. 6

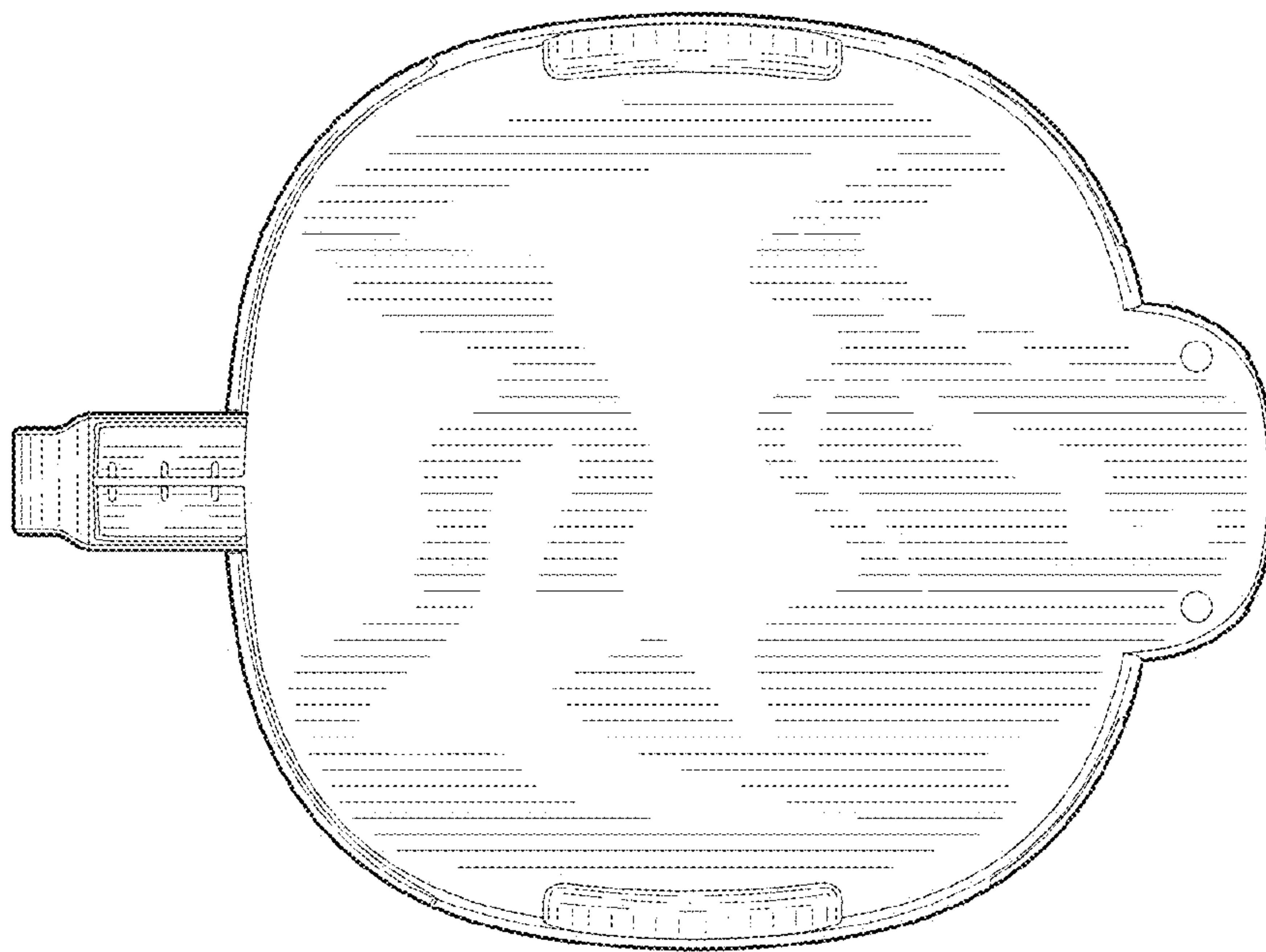


FIG. 7