



US00D692716S

(12) **United States Design Patent**
Barnard

(10) **Patent No.:** **US D692,716 S**

(45) **Date of Patent:** **** Nov. 5, 2013**

(54) **SANDWICH GRILL**

(56) **References Cited**

(71) Applicant: **Breville Pty Limited**, Botany (AU)

U.S. PATENT DOCUMENTS

(72) Inventor: **Pierce Barnard**, Cherrybrook (AU)

D194,336	S	*	1/1963	Cornwell	D7/352
3,108,531	A	*	10/1963	Jepson et al.	99/331
D240,993	S	*	8/1976	Levin	D7/352
D246,149	S	*	10/1977	Levin	D7/352
D247,539	S	*	3/1978	Mizoguchi	D7/352
4,091,720	A	*	5/1978	Wheeler	99/375
D248,722	S	*	8/1978	Tsuji	D7/352
D248,813	S	*	8/1978	Mizoguchi	D7/352
D249,446	S	*	9/1978	Madl et al.	D7/352
6,619,192	B2	*	9/2003	Lee	99/422
D542,080	S	*	5/2007	Trigiani	D7/352
D588,395	S	*	3/2009	Friel et al.	D7/352
D663,994	S	*	7/2012	Lee	D7/352

(73) Assignee: **Breville Pty Ltd**, Bothany, New South Wales (AU)

(**) Term: **14 Years**

(21) Appl. No.: **29/446,874**

(22) Filed: **Feb. 27, 2013**

(30) **Foreign Application Priority Data**

Sep. 4, 2012 (AU) 14375/2012

(51) **LOC (9) Cl.** **07-02**

(52) **U.S. Cl.**
USPC **D7/352; D7/354**

(58) **Field of Classification Search**
USPC D7/323, 329-332, 337-339, 346-347,
D7/350.1-350.4, 352-367, 388-395,
D7/402-409, 538, 542-543, 665;
99/324-325, 330-332, 337-343,
99/366-375, 400-418, 422, 425, 444-450,
99/476, 483; 126/25 R, 37 R, 41 R, 261,
126/378.1, 390.1; 206/501-505, 507-508;
219/368-387, 400, 405, 429-442,
219/452.11, 620-624, 725, 730-735;
220/314-315, 486, 573.1-573.5,
220/592.16, 608, 912; 426/438, 441

See application file for complete search history.

* cited by examiner

Primary Examiner — Ricky Pham

(74) *Attorney, Agent, or Firm* — Michael Molins

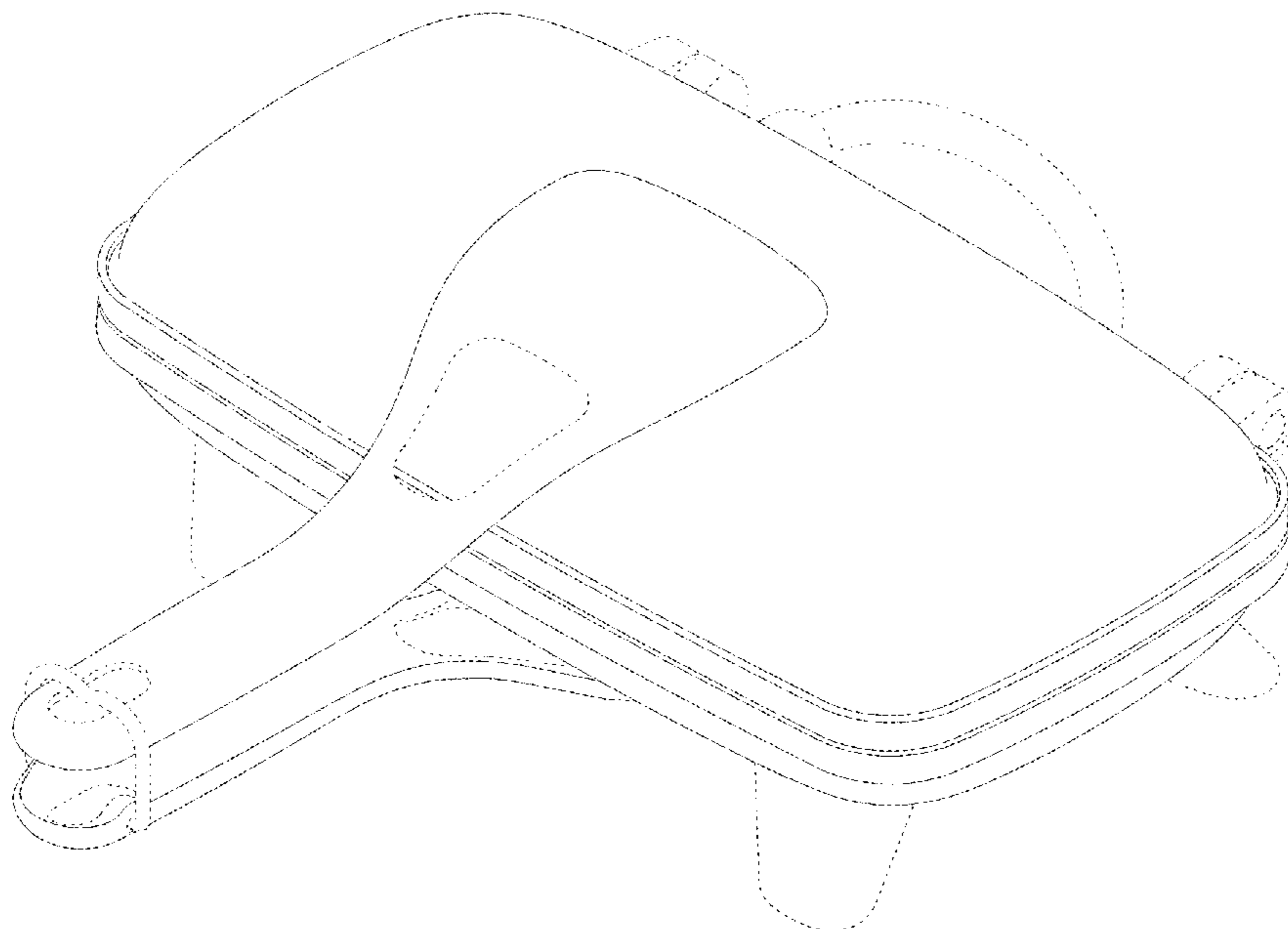
(57) **CLAIM**

The ornamental design for a sandwich grill, as shown and described.

DESCRIPTION

FIG. 1 is a front perspective view of a sandwich grill showing my new design;
FIG. 2 is a back view thereof;
FIG. 3 is a left side view thereof;
FIG. 4 is a front view thereof;
FIG. 5 is a right side view thereof;
FIG. 6 is a top plan view thereof; and,
FIG. 7 is a bottom plan view thereof.
The broken lines shown in the drawings are for illustrative purposes only and form no part of the claimed design.

1 Claim, 7 Drawing Sheets



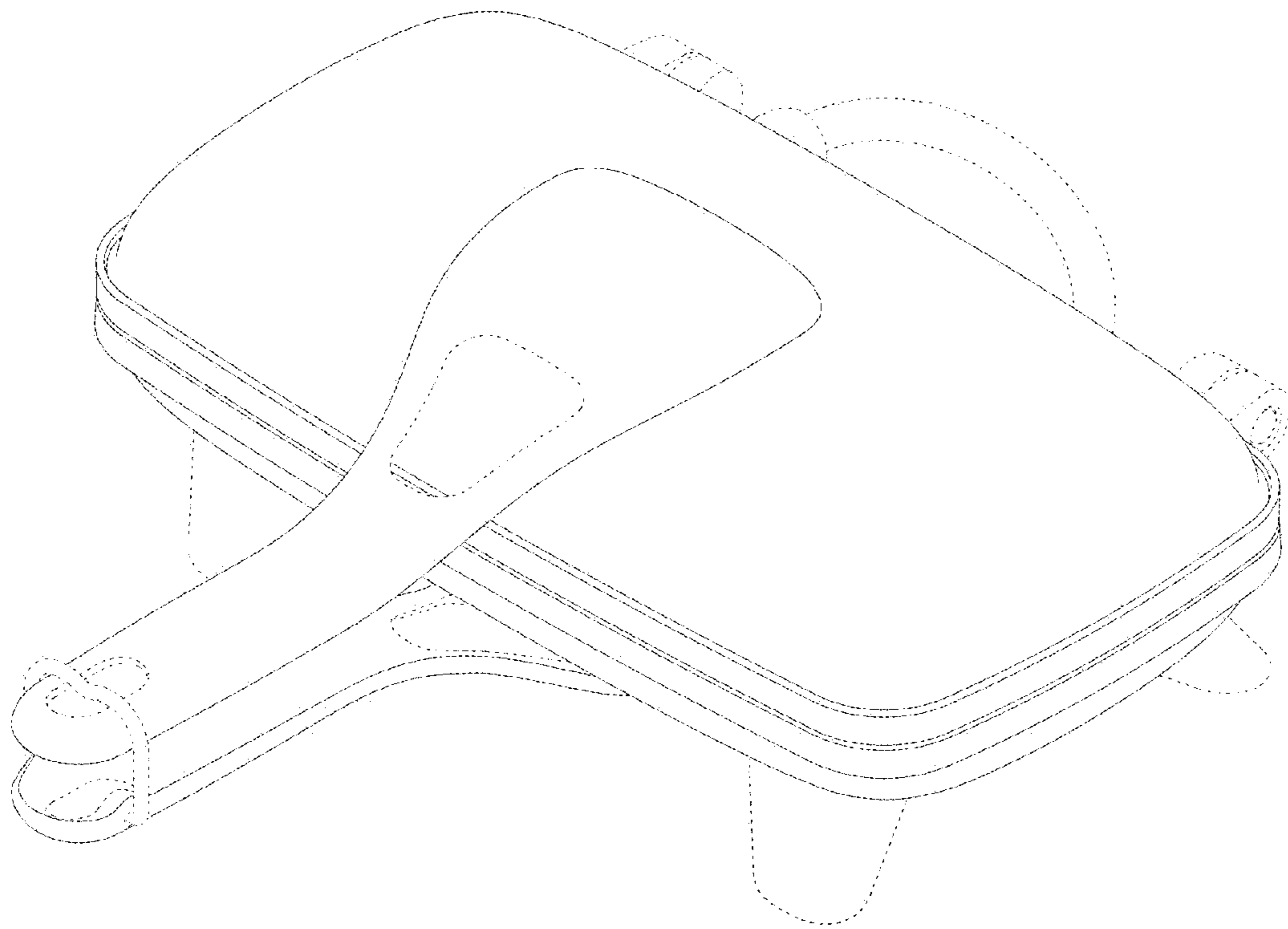


FIG. 1

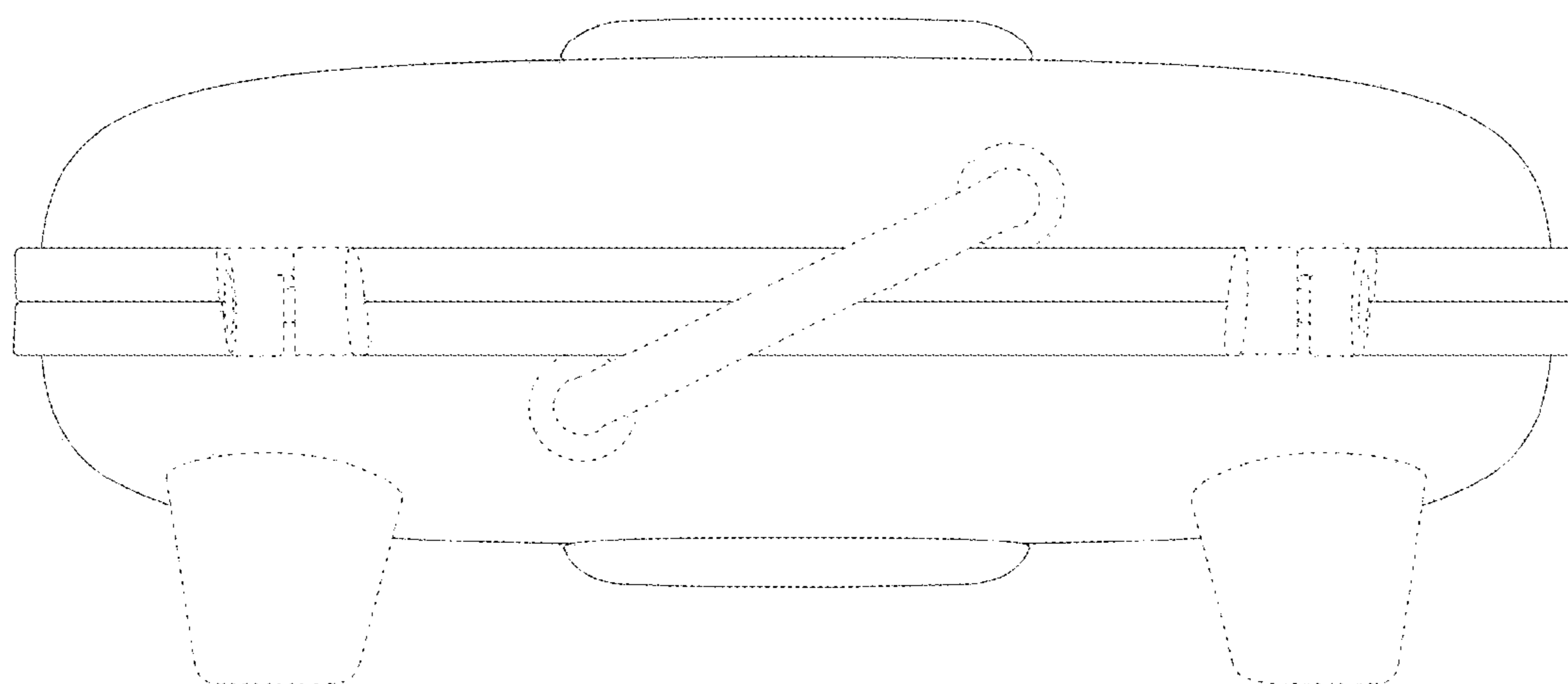


FIG. 2

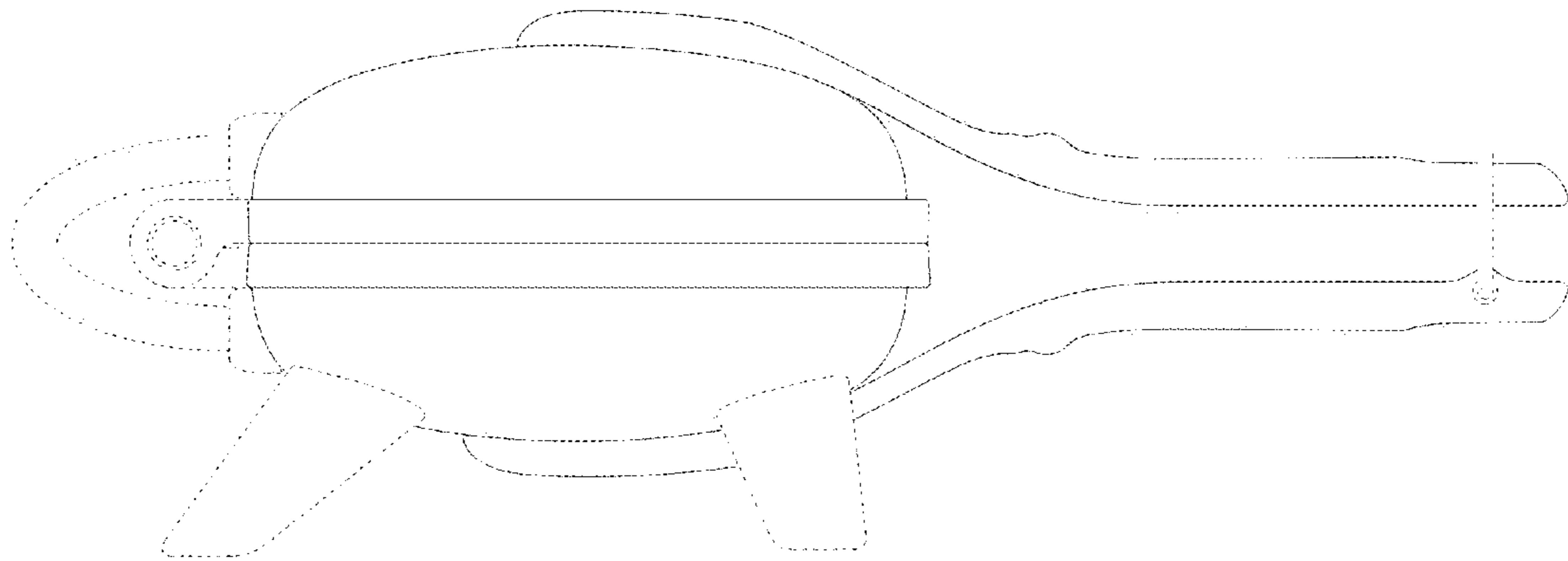


FIG. 3

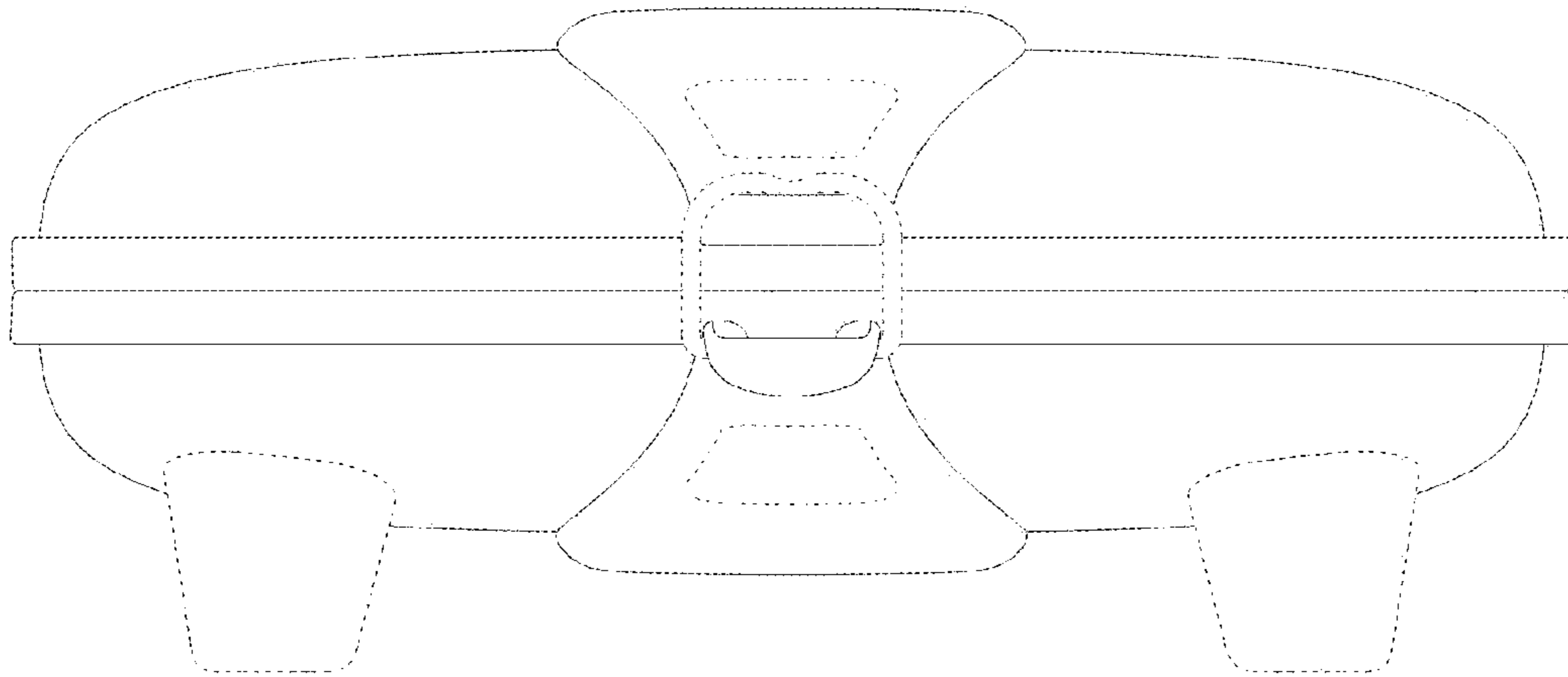


FIG. 4

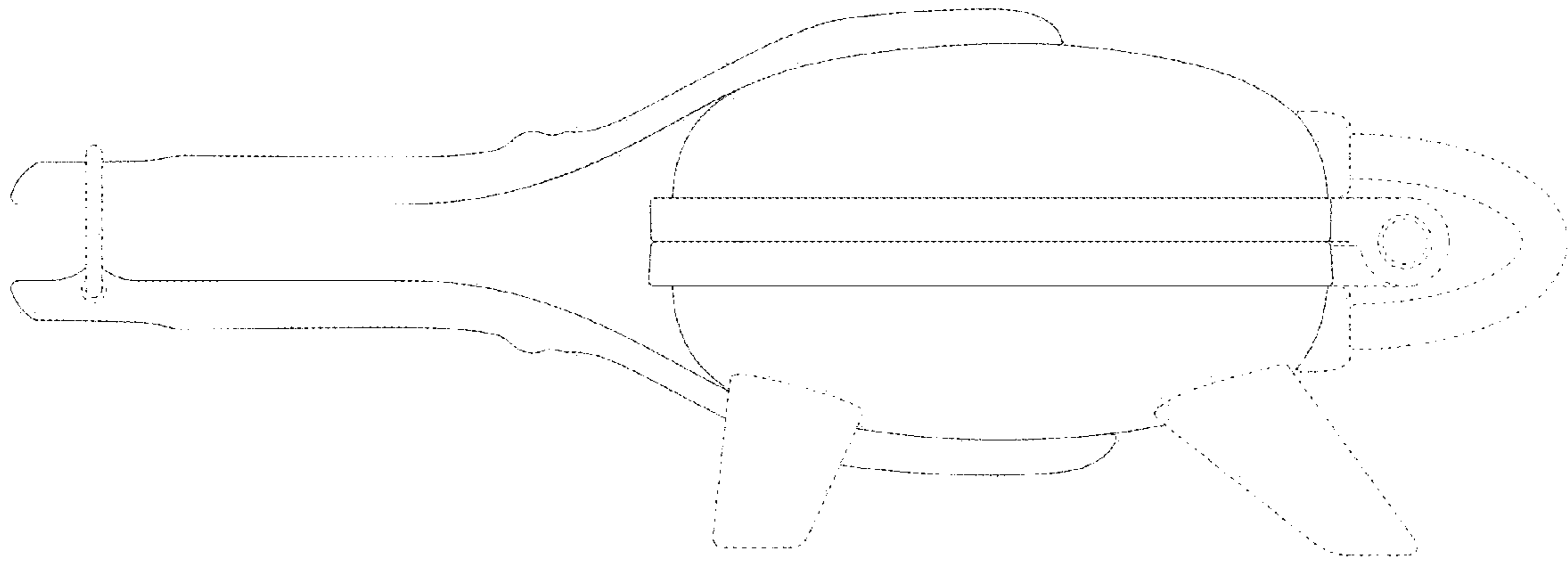


FIG. 5

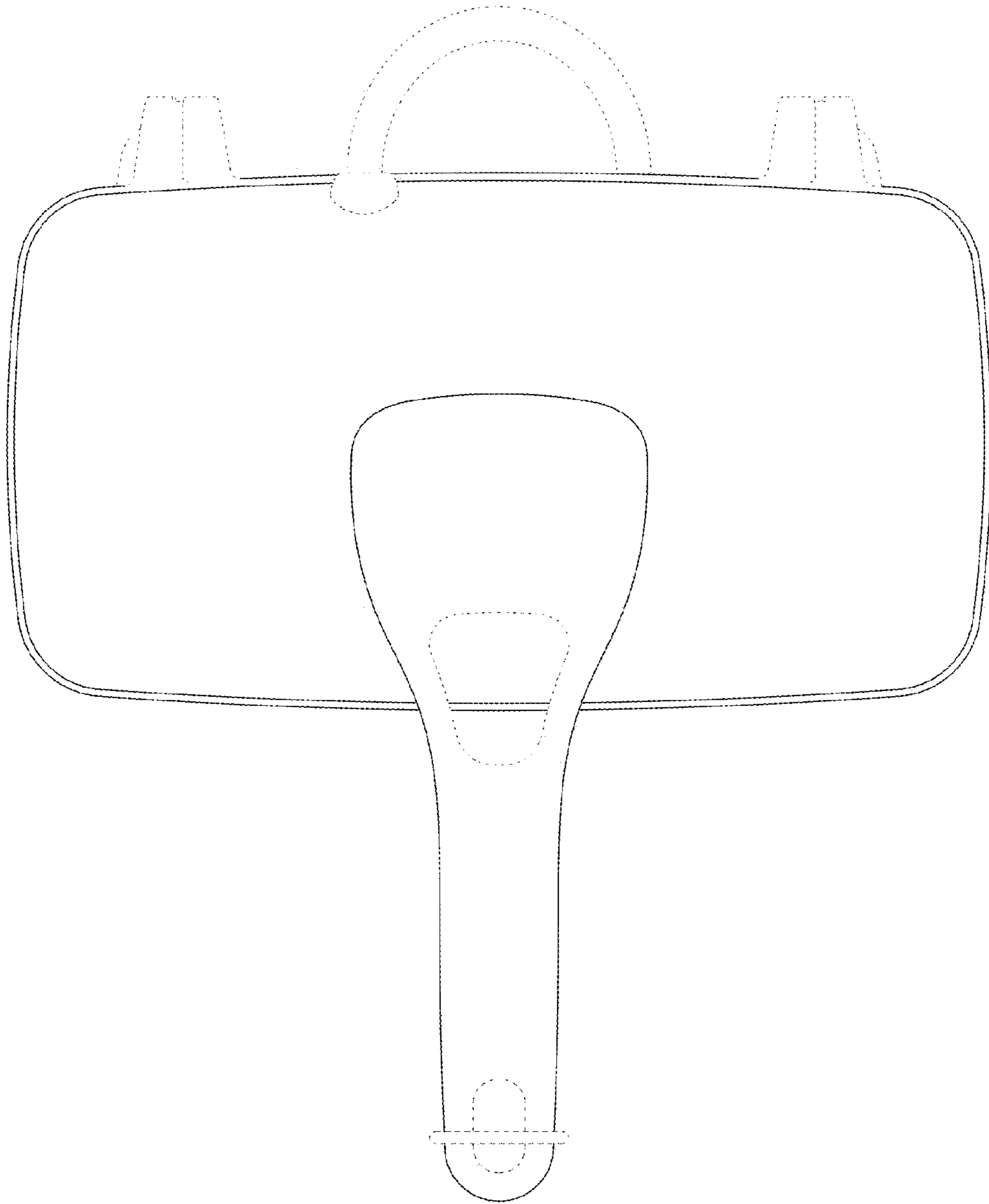


FIG. 6

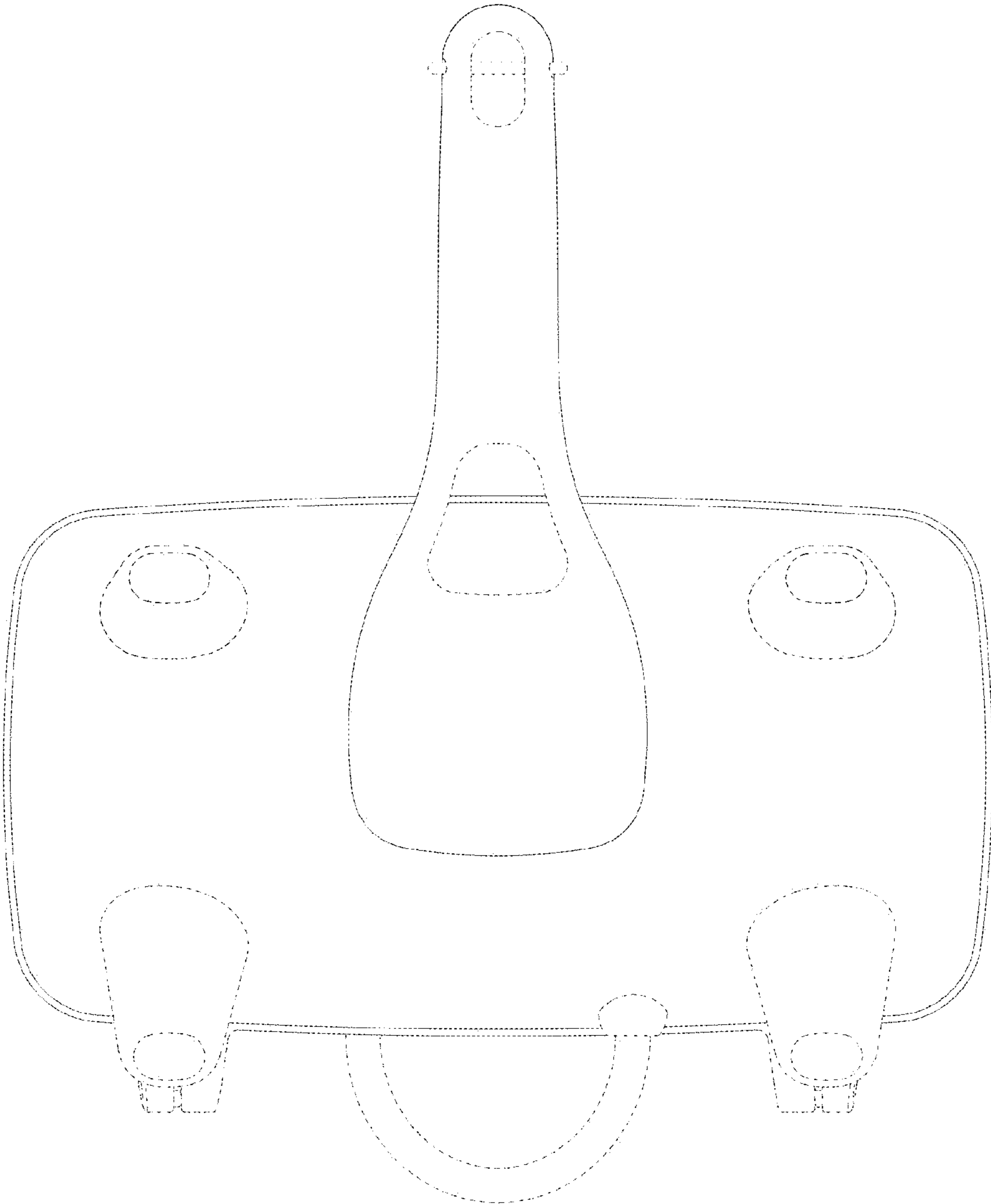


FIG. 7