



US00D692710S

(12) **United States Design Patent**  
**Hallberg et al.**

(10) **Patent No.:** **US D692,710 S**  
(45) **Date of Patent:** **\*\* Nov. 5, 2013**

(54) **ARTICLE OF FURNITURE**

(71) Applicant: **E.C. Group, Inc.**, Los Angeles, CA (US)

(72) Inventors: **Richard W. Hallberg**, Beverly Hills, CA (US); **Barbara J. Wiseley**, Montecito, CA (US); **Daniel C. Cuevas**, Los Angeles, CA (US)

(73) Assignee: **E.C. Group, Inc.**, Los Angeles, CA (US)

(\*\*) Term: **14 Years**

(21) Appl. No.: **29/450,052**

(22) Filed: **Mar. 15, 2013**

(51) **LOC (9) Cl.** ..... **06-01**

(52) **U.S. Cl.**  
USPC ..... **D6/709**

(58) **Field of Classification Search**  
USPC ..... D6/334-336, 344-353, 358-381, 388, D6/403, 491-502, 692, 708, 716, D6/716.2-716.4; 297/16.1, 22, 31, 35, 297/217.1, 228.12, 239, 256.16, 271.6, 297/284.4-284.5, 291, 297, 302.4, 411.2, 297/411.27-411.29, 411.43, 423.1, 423.12, 297/440.11, 440.15, 440.24, 448.1, 451.4, 297/452.13, 452.19, 452.21, 452.27, 297/452.29, 452.3, 452.41, 452.56, 452.64

See application file for complete search history.

(56) **References Cited**

**U.S. PATENT DOCUMENTS**

D41,571 S	7/1911	Moore
D68,663 S	11/1925	Snow
D81,933 S	9/1930	Jones
D82,937 S	12/1930	Hauser
D187,458 S	3/1960	Otto
D198,971 S	8/1964	Ritts
D219,651 S	1/1971	Fisher

D289,949 S	5/1987	Tron
D309,063 S	7/1990	Kee
D312,535 S	12/1990	Yau Kee
D316,489 S	4/1991	Frinier
D316,491 S *	4/1991	Frinier ..... D6/379

(Continued)

**OTHER PUBLICATIONS**

Hallberg et al., U.S. Appl. No. 29/429,442, filed Aug. 10, 2012.

(Continued)

*Primary Examiner* — Ricky Pham

(74) *Attorney, Agent, or Firm* — Heslin Rothenberg Farley & Mesiti P.C.

(57) **CLAIM**

The ornamental design for an article of furniture, as shown and described.

**DESCRIPTION**

This application contains subject matter which is related to the subject matter of commonly assigned and co-filed U.S. Design patent application Ser. No. 29/450,020, entitled "Article of Furniture" by Hallberg et al., which application is hereby incorporated in its entirety herein by reference.

FIG. 1 is a perspective view of an article of furniture in accordance with the new design;

FIG. 2 is a front elevational view thereof;

FIG. 3 is a rear elevational view thereof;

FIG. 4 is a right elevational view thereof;

FIG. 5 is a left elevational view thereof;

FIG. 6 is a top view thereof;

FIG. 7 is another perspective view of the article of furniture;

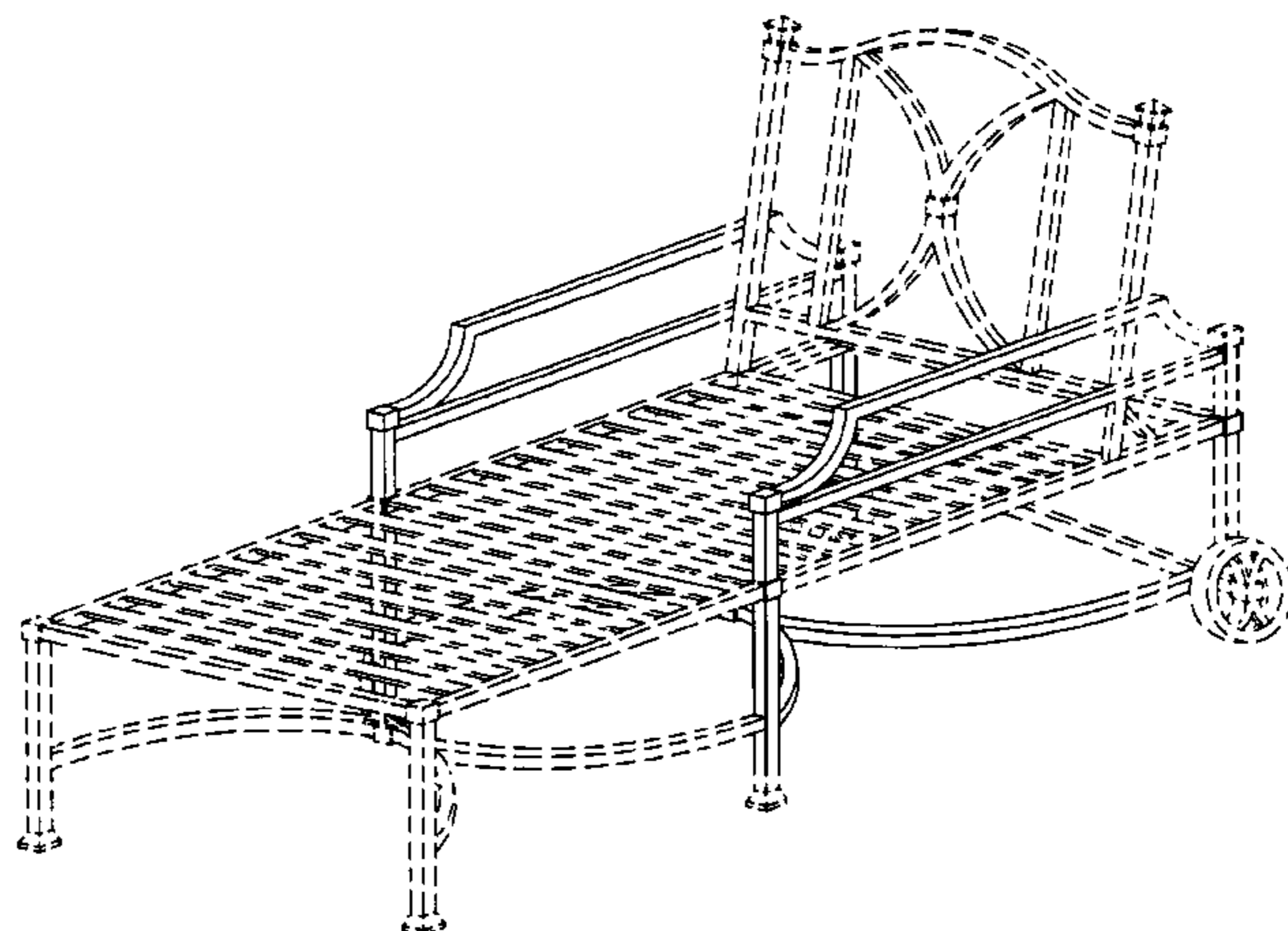
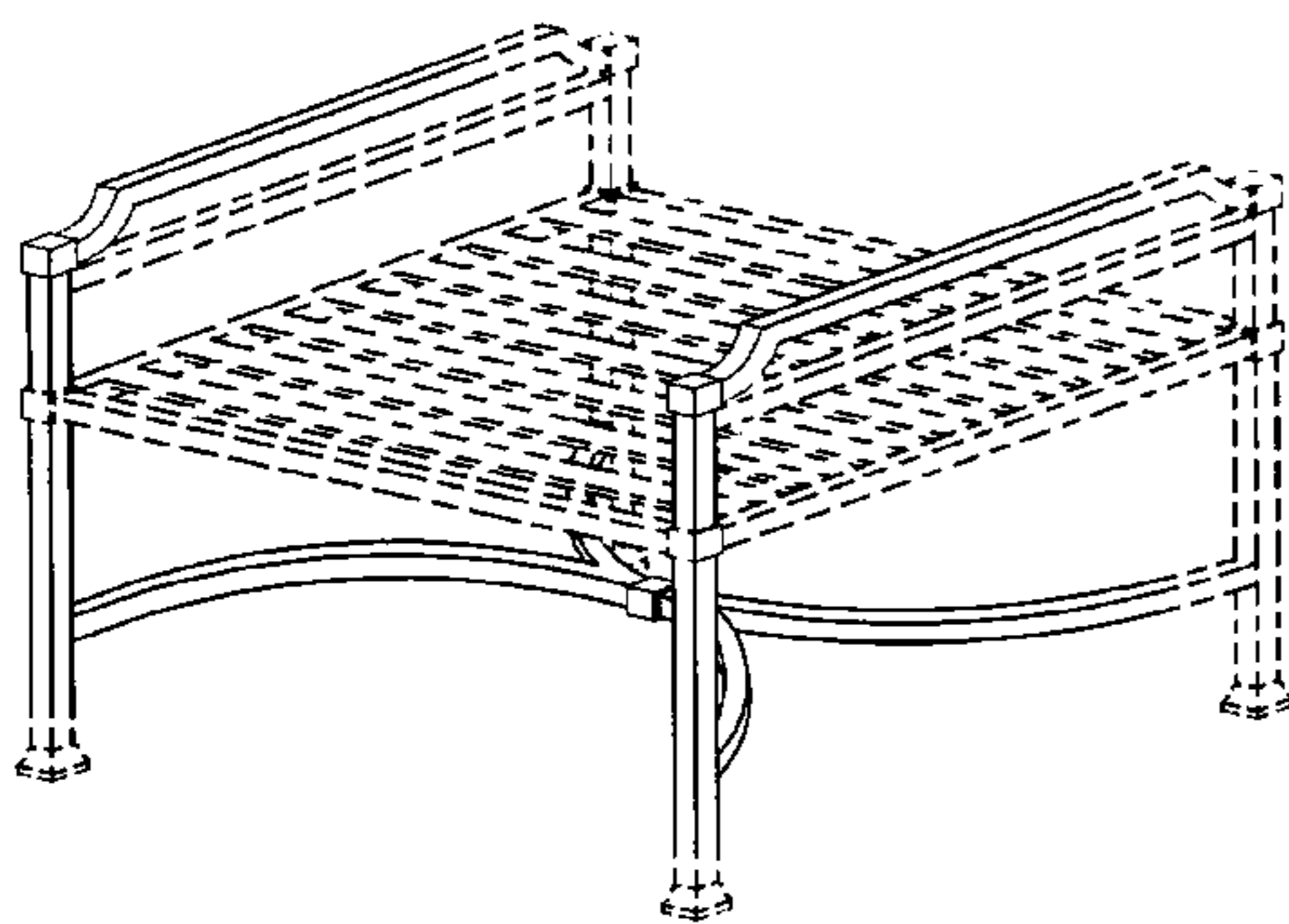
FIG. 8 is another perspective view of the article of furniture;

and,

FIG. 9 is another perspective view of the article of furniture.

The broken lines in the figures are for illustration purposes only and form no part of the claimed invention.

**1 Claim, 9 Drawing Sheets**



(56)

References Cited

U.S. PATENT DOCUMENTS

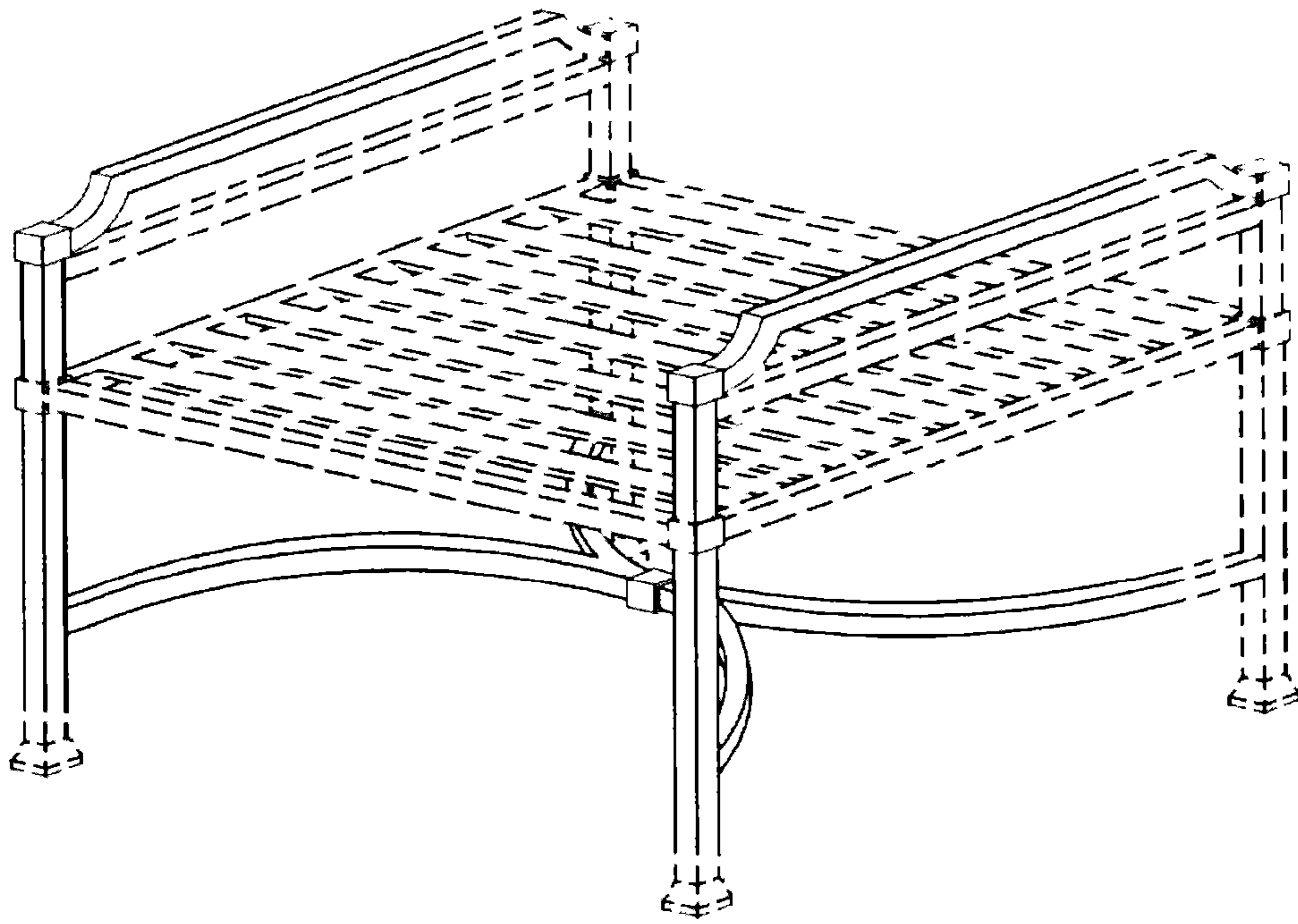
D317,087 S \* 5/1991 Frinier ..... D6/361  
 D320,511 S 10/1991 Hess  
 D340,588 S 10/1993 Lee  
 D342,840 S \* 1/1994 Doughty ..... D6/376  
 D352,840 S \* 11/1994 Alchin ..... D6/376  
 D380,312 S \* 7/1997 Diaz-Azcuy ..... D6/369  
 D383,616 S 9/1997 Caldwell  
 D384,830 S 10/1997 Daniel  
 D386,321 S 11/1997 Vanderminden  
 D390,714 S 2/1998 Goodman  
 D406,701 S \* 3/1999 Slear ..... D6/376  
 D411,379 S 6/1999 Kreiss  
 D414,050 S 9/1999 Lin  
 D416,398 S 11/1999 Armaroli  
 D420,830 S 2/2000 Tseng  
 D423,243 S \* 4/2000 Massie et al. .... D6/376  
 D423,806 S \* 5/2000 Tseng ..... D6/376  
 D426,718 S \* 6/2000 Gaylord et al. .... D6/376  
 D426,975 S \* 6/2000 Gaylord et al. .... D6/376  
 D430,419 S 9/2000 Chun  
 D436,750 S \* 1/2001 Tseng ..... D6/376  
 D438,026 S 2/2001 Frinier  
 D441,974 S 5/2001 Mintz et al.  
 D445,272 S 7/2001 Rehmert et al.  
 D446,399 S 8/2001 Slear  
 D447,355 S 9/2001 Copeland  
 D447,644 S 9/2001 Buehler  
 D448,188 S \* 9/2001 Caldwell ..... D6/370  
 D448,195 S \* 9/2001 Caldwell ..... D6/376  
 D449,175 S 10/2001 Lin  
 D462,192 S 9/2002 Jaccoma et al.  
 D468,924 S 1/2003 O'Hare  
 D482,206 S 11/2003 Ciabatti  
 D486,970 S \* 2/2004 Tseng ..... D6/376  
 D486,971 S 2/2004 Tseng  
 D487,198 S 3/2004 Tseng  
 D487,849 S \* 3/2004 Tseng ..... D6/376  
 D491,738 S \* 6/2004 Vanderminden ..... D6/376  
 D492,495 S 7/2004 Barile et al.  
 D502,334 S 3/2005 Tseng  
 D502,819 S \* 3/2005 Tseng ..... D6/376  
 D512,580 S \* 12/2005 Tseng ..... D6/376  
 D517,339 S 3/2006 Tseng  
 D517,340 S \* 3/2006 Tseng ..... D6/376  
 D520,258 S \* 5/2006 Vanderminden ..... D6/376  
 D521,266 S \* 5/2006 Vanderminden ..... D6/376  
 D522,767 S 6/2006 Camp et al.  
 D523,652 S \* 6/2006 Bell ..... D6/376  
 D525,797 S 8/2006 Lowsky  
 D525,798 S 8/2006 Lowsky  
 D526,501 S \* 8/2006 Tseng ..... D6/376  
 D526,502 S \* 8/2006 Chen ..... D6/376  
 D526,503 S \* 8/2006 Chen ..... D6/376  
 D526,795 S \* 8/2006 Tseng ..... D6/360  
 D526,799 S \* 8/2006 Tseng ..... D6/370  
 D526,800 S \* 8/2006 Tseng ..... D6/370  
 D526,801 S 8/2006 Chen  
 D528,313 S \* 9/2006 Chen ..... D6/360  
 D528,315 S \* 9/2006 Tseng ..... D6/365  
 D528,814 S \* 9/2006 Tseng ..... D6/376  
 D532,212 S \* 11/2006 Bell ..... D6/376  
 D534,006 S \* 12/2006 Tseng ..... D6/376  
 D540,055 S \* 4/2007 Doughty ..... D6/370  
 D540,056 S \* 4/2007 Doughty ..... D6/370  
 D542,044 S \* 5/2007 Doughty ..... D6/370

D547,081 S 7/2007 Wang  
 D547,082 S 7/2007 Wang  
 D547,962 S 8/2007 Ko  
 D569,120 S 5/2008 Camp, Jr. et al.  
 D569,646 S 5/2008 Camp, Jr. et al.  
 D572,495 S 7/2008 Lowsky  
 D574,620 S 8/2008 Lowsky  
 D574,621 S 8/2008 Lowsky  
 D577,216 S 9/2008 Camp, Jr. et al.  
 D588,369 S 3/2009 Camp, Jr. et al.  
 D609,486 S 2/2010 Lowsky  
 D645,673 S \* 9/2011 Buehler ..... D6/376  
 D659,443 S 5/2012 Hallberg et al.  
 D666,019 S 8/2012 Lowsky  
 D668,071 S \* 10/2012 Pedersen et al. .... D6/361  
 D672,987 S 12/2012 Hallberg et al.  
 D675,464 S 2/2013 Pedersen et al.  
 D677,922 S 3/2013 Kangyang  
 D677,923 S 3/2013 Kangyang  
 D684,398 S \* 6/2013 Pedersen et al. .... D6/716

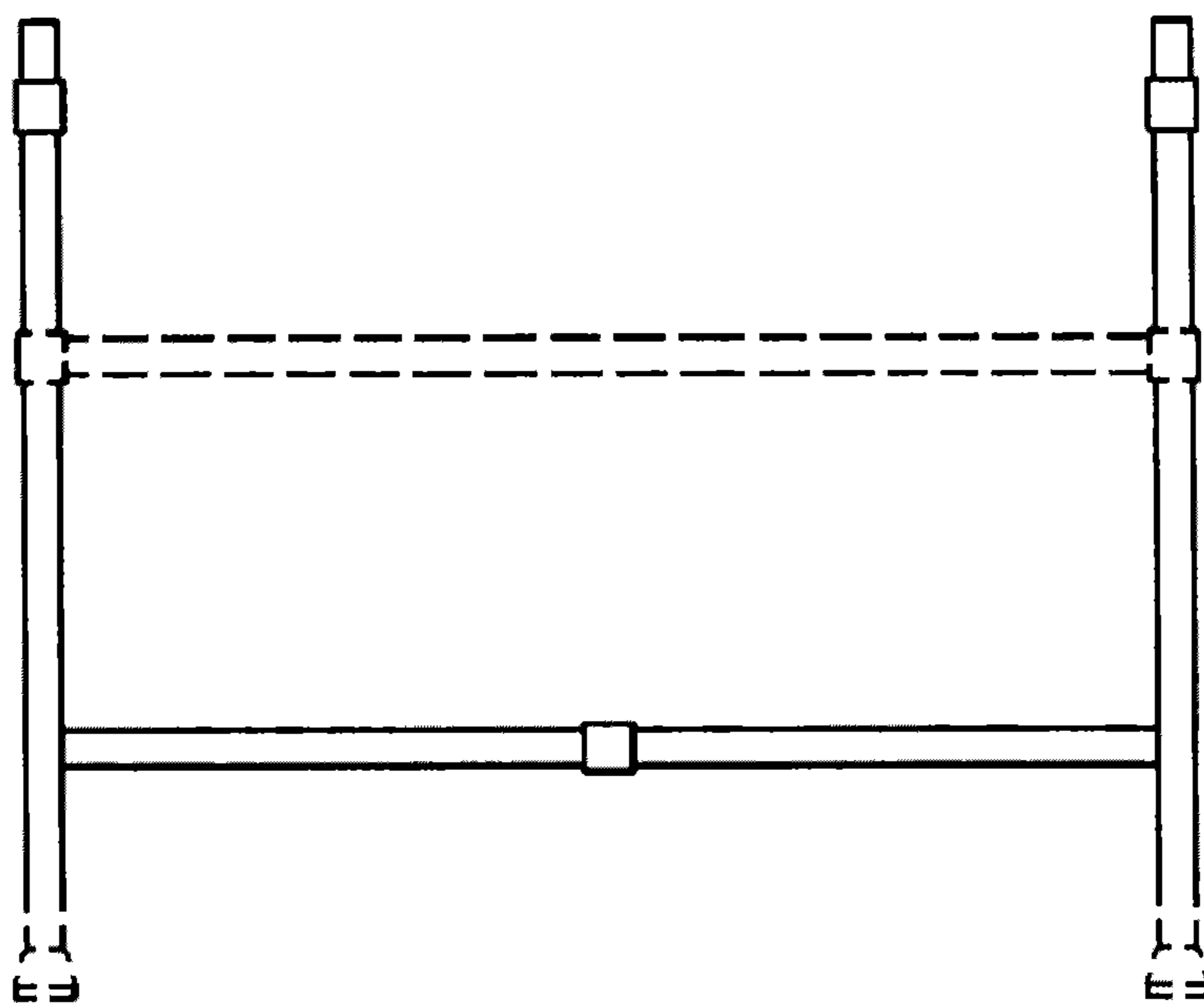
OTHER PUBLICATIONS

Hallberg et al., U.S. Appl. No. 29/429,443, filed Aug. 10, 2012.  
 Hallberg et al., U.S. Appl. No. 29/429,444, filed Aug. 10, 2012.  
 Hallberg et al., U.S. Appl. No. 29/450,020, filed Mar. 15, 2013.  
 Tropitone Cantina Patio Furniture, Patio Furniture Rehab, printout available online on Apr. 26, 2013, at <http://www.patiofurniturerehab.com/announcements/vinyl-strapping-replacements-on-tropitone-cantina-patio-furniture-in-south-carolina>, 3-pages, at least as early as 1971.  
 Tropitone Cantina Patio Furniture, Saratoga Herald Tribune, p. 18A, Apr. 25, 1971.  
 Patio Furniture Rehab, various refurbished pieces, printout available online on Apr. 26, 2013, at [http://www.aplusredemption.com/customer\\_diy\\_vinyl\\_straps.htm](http://www.aplusredemption.com/customer_diy_vinyl_straps.htm), 9-pages, at least as early as 2010.  
 Romano Wrought Iron Chair, available from LeSouk.com, printout available online on May 26, 2011, at <http://www.lesouk.com/tables/ref.sub.-r/WCRO1700r.htm>, and price list, 3-pages, 2009.  
 Tuscan Iron Sofa Chair, available TAZI Designs, San Francisco, California, printout available online on May 26, 2011, at <http://www.tazidesigns.com/catalog/patio.sub.--furniture/seating/307>, 2-pages, Mar. 2008.  
 Patio Chair—Napa Armchair, available from TAZI Designs, San Francisco, California, printout available online on May 26, 2011, at <http://www.tazidesigns.com/catalog/patio.sub.--furniture/seating/608>, 2-pages, 2008.  
 Salterini Iron Arm Chairs Ottomans & Table, available from Red Modern Furniture, Phoenix, Arizona, printout available online on May 26, 2011, <http://redmodernfurniture.com/2010/06/14/salterini-iron-arm-chairs-ottoma-ns-table/>, 2-pages, early 1960's.  
 Mediterranean Iron Sofa, available from TAZI Designs, San Francisco, California, printout available online on Feb. 15, 2012, at <http://www.tazidesigns.com/catalog/patio.sub.--furniture/seating/852>, 3-pages, at least as early as Feb. 12, 2010.  
 Patio Furniture—Moroccan Bench and Mediterranean Chairs, available from TAZI Designs, San Francisco, California, printout available online on Feb. 15, 2012, at <http://www.tazidesigns.com/catalog/patio.sub.--furniture/seating/>, 33-pages, at least as early as Feb. 10, 2010.  
 Wrought Iron Chair, model No. OI-IC-010, available from Om International, Rajasthan, India, printout available online on Jun. 28, 2013, at [http://www.omfurniture.com/iron\\_chair.htm](http://www.omfurniture.com/iron_chair.htm), 4-pages, at least as early as Apr. 9, 2005.

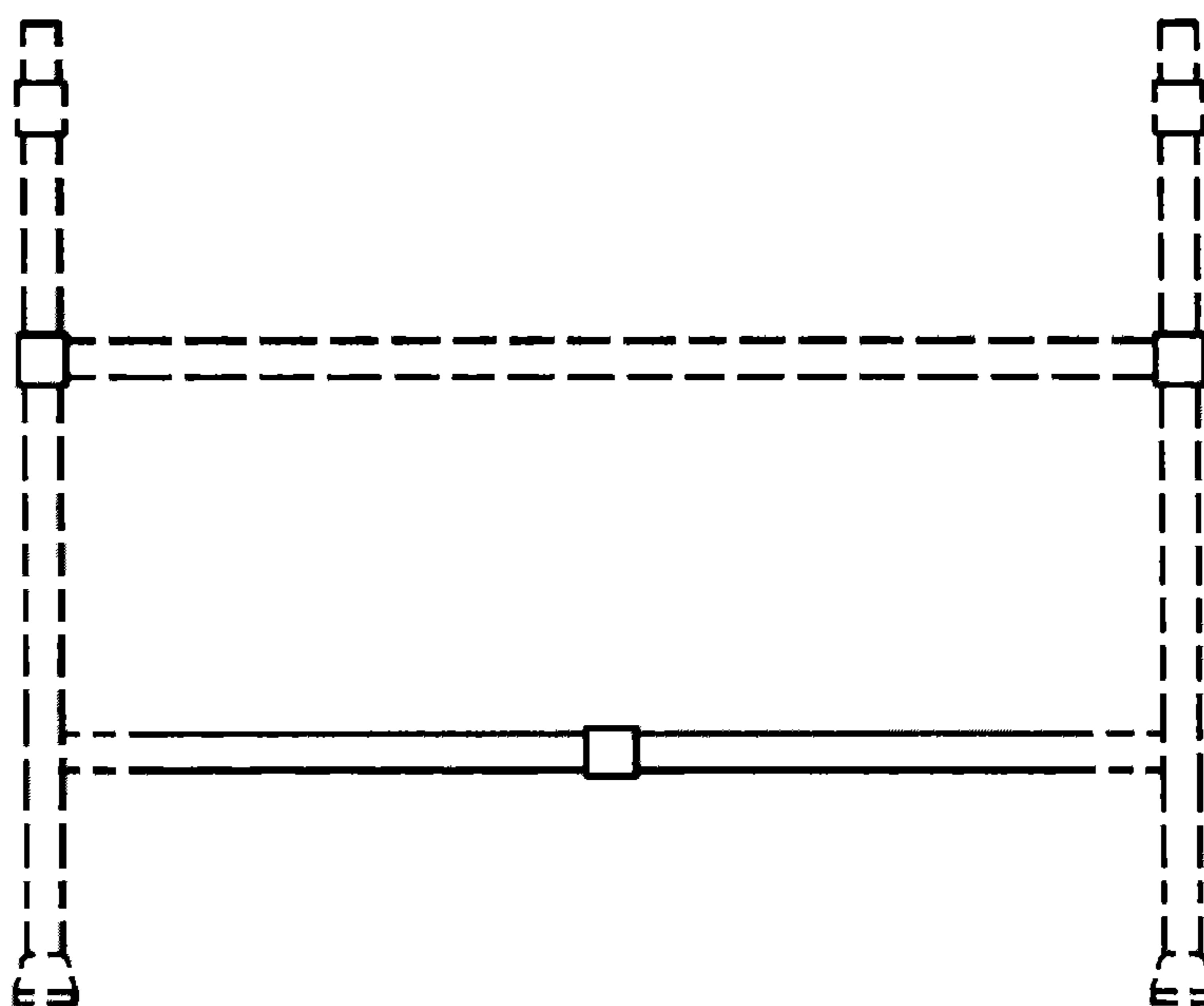
\* cited by examiner



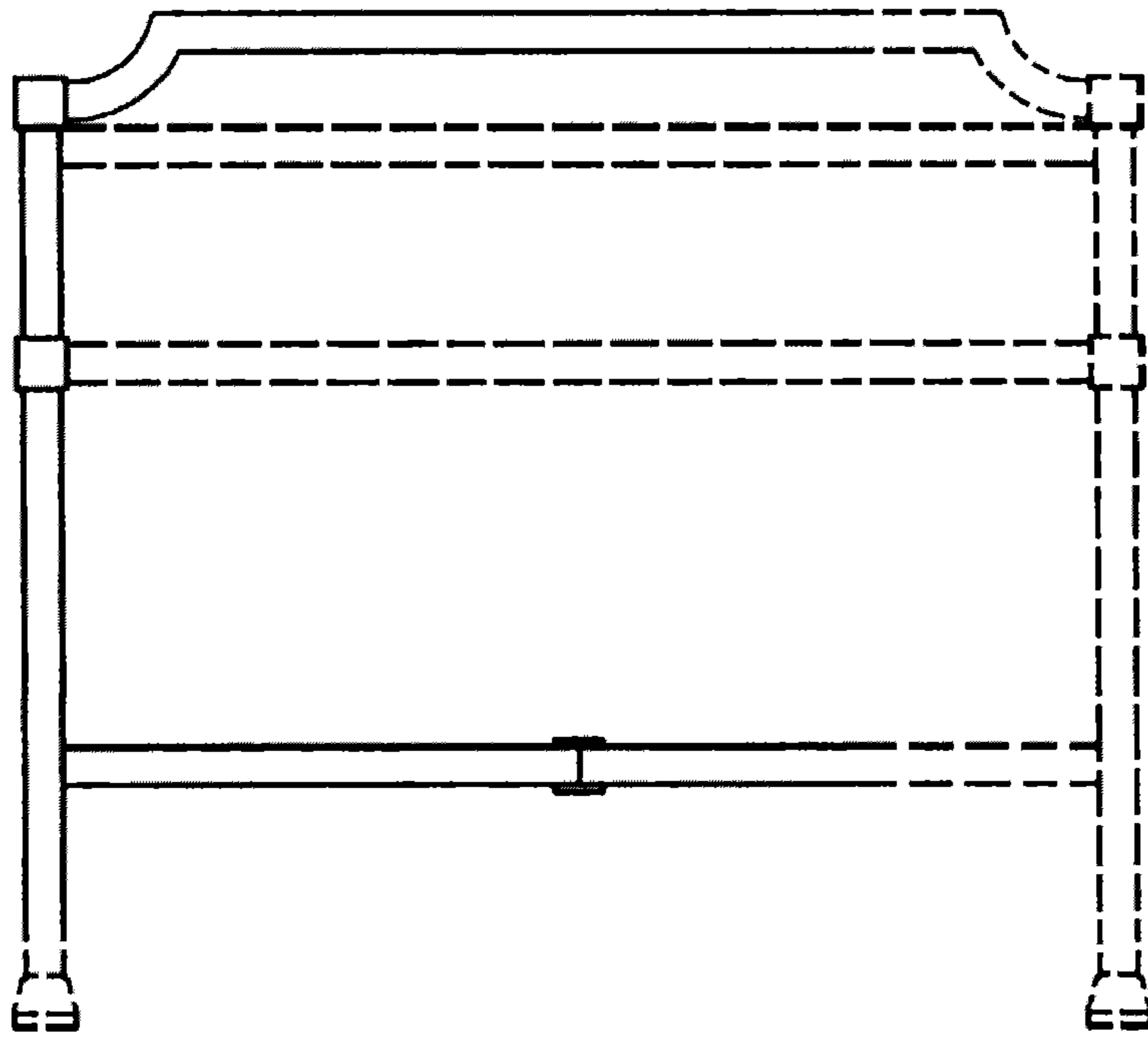
*Fig. 1*



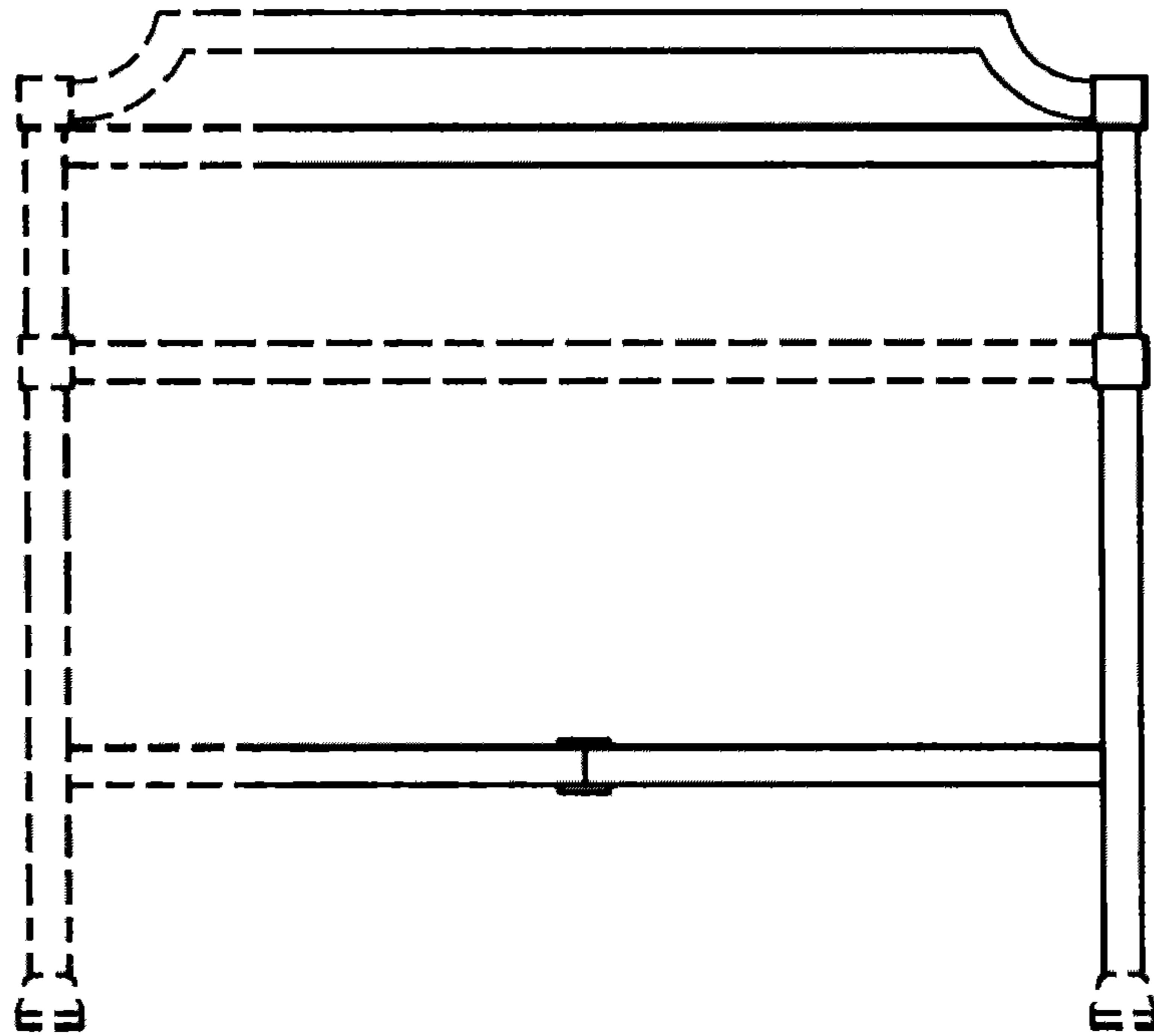
*Fig. 2*



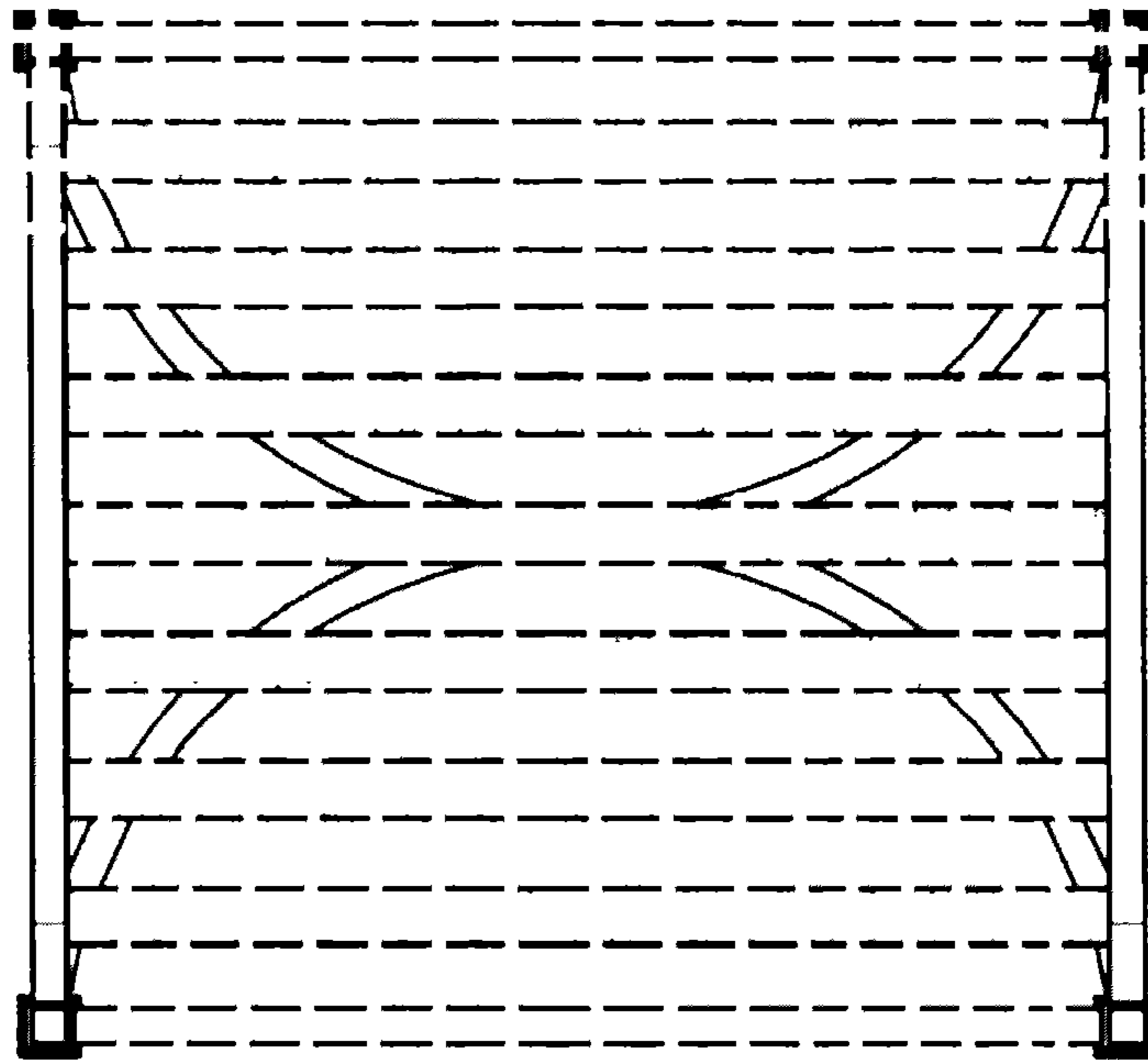
*Fig. 3*



*Fig. 4*

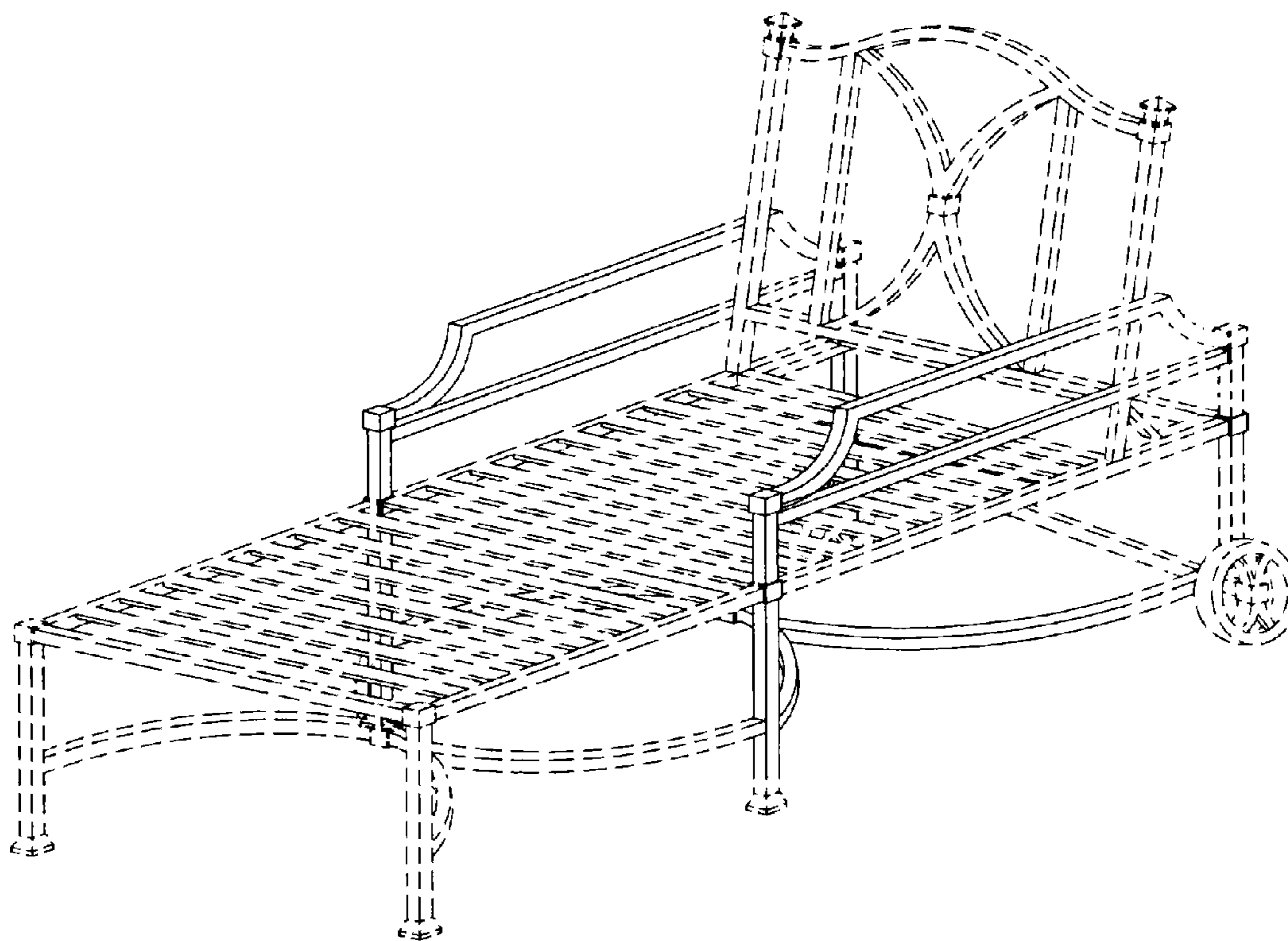


*Fig. 5*

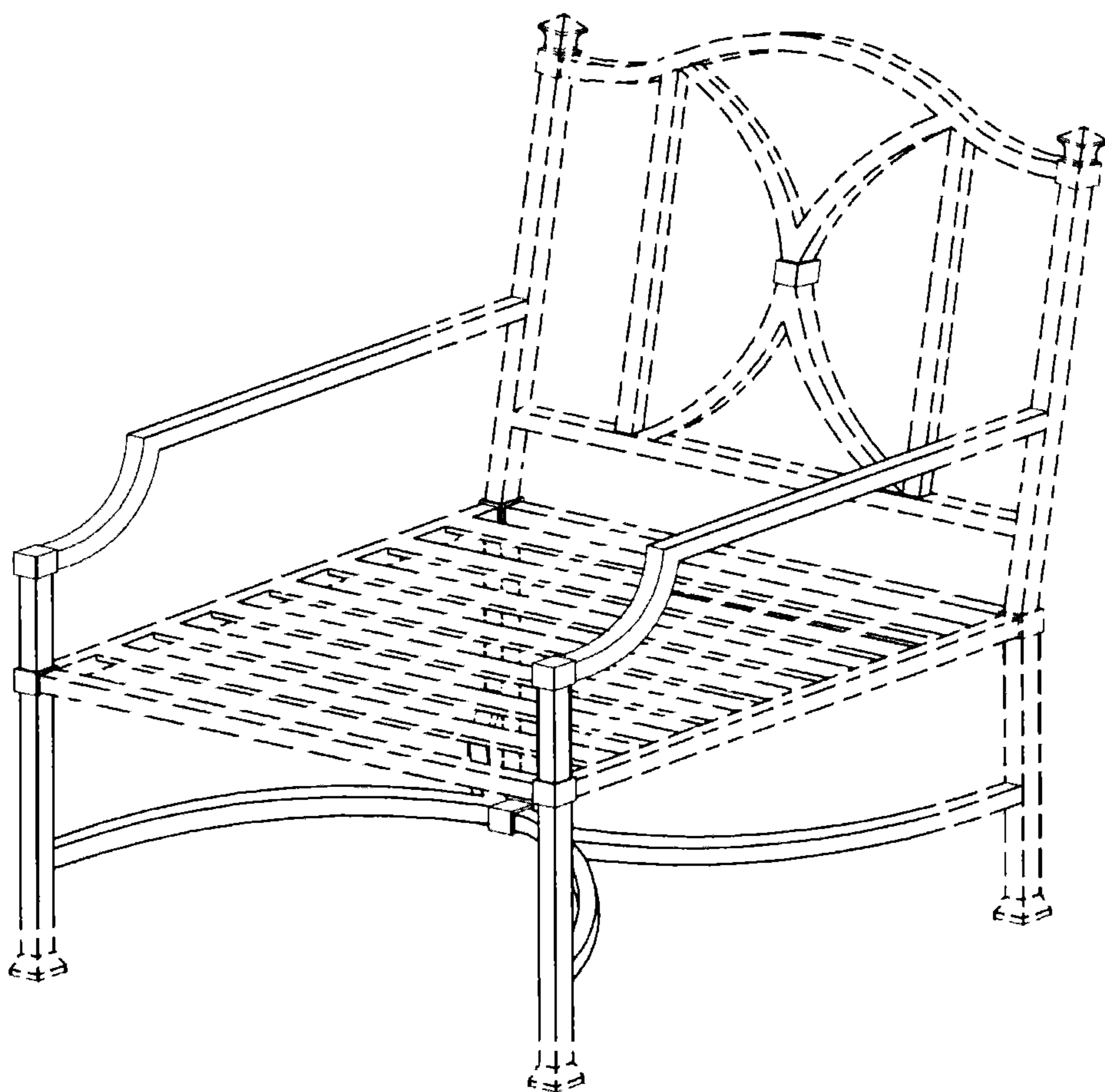


*Fig. 6*

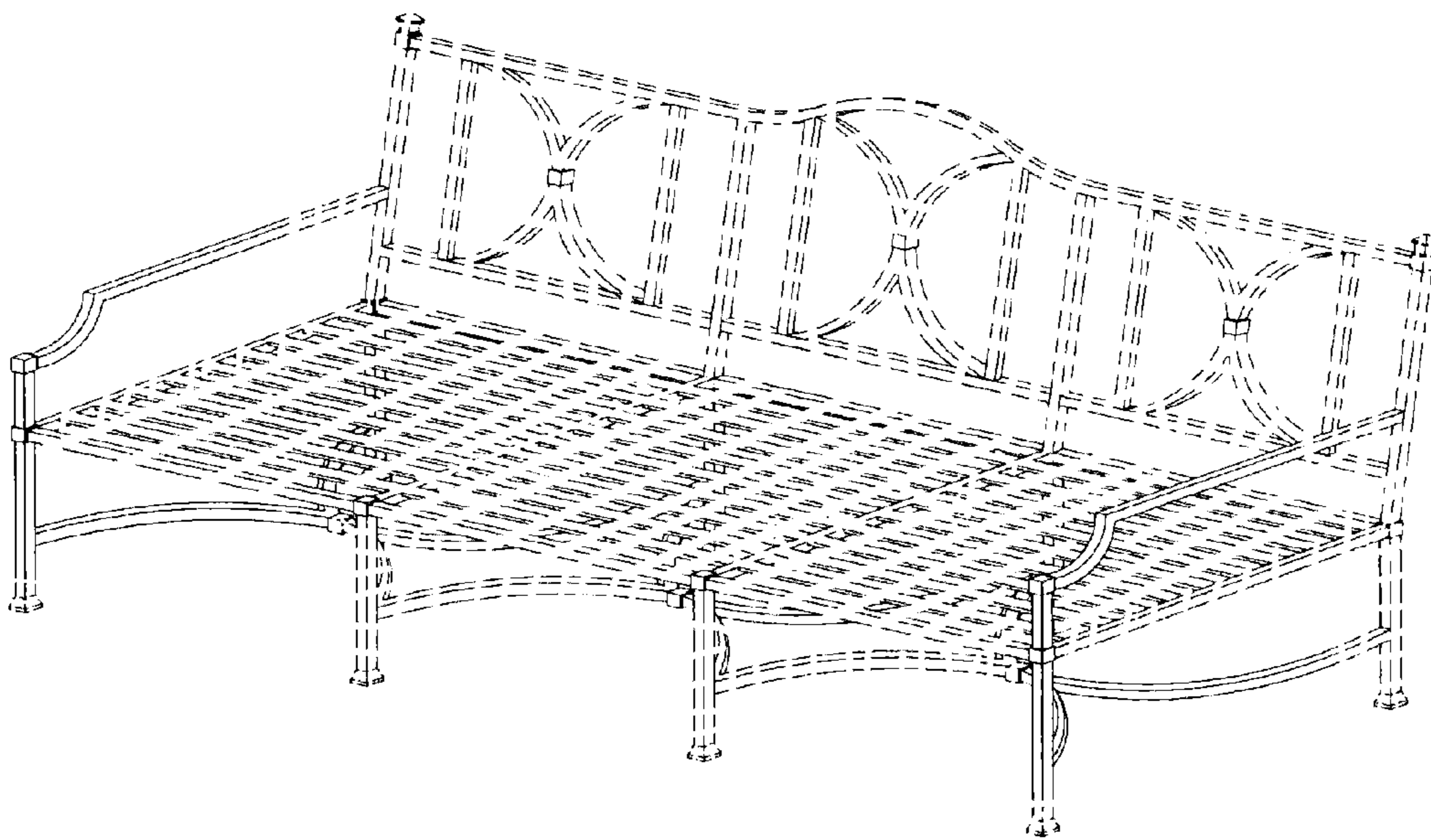




*Fig. 7*



*Fig. 8*



*Fig. 9*