



US00D692709S

(12) **United States Design Patent**  
**Polidoros**

(10) **Patent No.:** **US D692,709 S**  
(45) **Date of Patent:** **\*\* Nov. 5, 2013**

- (54) **TABLE BASE**
- (71) Applicant: **Nicholas Polidoros**, Mitcham (AU)
- (72) Inventor: **Nicholas Polidoros**, Mitcham (AU)
- (73) Assignee: **IHS Global Design Pty. Ltd.** (AU)
- (\*\*) Term: **14 Years**

D440,431 S	4/2001	Alexandersson	
D440,788 S	4/2001	Alexandersson	
D480,578 S	10/2003	Teel	
D485,097 S	1/2004	Raftery	
D511,911 S *	11/2005	Light et al. ....	D6/480
D553,384 S	10/2007	Wilenius	
D662,735 S	7/2012	Polidoros	
D665,540 S	8/2012	Kilroy	
2008/0143166 A1	6/2008	De Oliveira	
2010/0147200 A1	6/2010	Polidoros	

- (21) Appl. No.: **29/457,250**
- (22) Filed: **Jun. 7, 2013**

**Related U.S. Application Data**

- (63) Continuation of application No. 29/424,878, filed on Jun. 16, 2012, which is a continuation of application No. 12/377,096, filed as application No. PCT/AU2007/000589 on May 3, 2007, now abandoned.
- (51) **LOC (9) Cl.** ..... **06-06**
- (52) **U.S. Cl.**  
USPC ..... **D6/708.16**
- (58) **Field of Classification Search**  
USPC ..... D6/480-489, 495-499, 429-431;  
108/153.1, 155, 156, 157.1, 161, 115,  
108/157.16, 157.17, 157.18, 118, 119, 160;  
248/188, 188.1, 188.7, 188.8  
See application file for complete search history.

(56) **References Cited**

**U.S. PATENT DOCUMENTS**

587,219 A	7/1897	Maes
D35,045 S	9/1901	Stickley
1,939,904 A	12/1933	Koopman
1,963,594 A	6/1934	Schwabe
2,010,342 A	8/1935	Woods
2,190,623 A	2/1940	Benson
2,591,797 A	4/1952	Exline
D222,624 S	11/1971	Gianfagna
D430,414 S	9/2000	Aloisi

**FOREIGN PATENT DOCUMENTS**

AU	2006203492	8/2006
CN	3245051	7/2002
FR	954590-001	11/1995
FR	954590-002	11/1995
FR	977595-003	1/2001
FR	032542-002	8/2003
GB	397592	8/1933

(Continued)

**OTHER PUBLICATIONS**

Forbes Industries, EcoFlex Tables Catalogue, © 2013.

(Continued)

*Primary Examiner* — Janice Seeger

(74) *Attorney, Agent, or Firm* — Saidman DesignLaw Group

(57) **CLAIM**

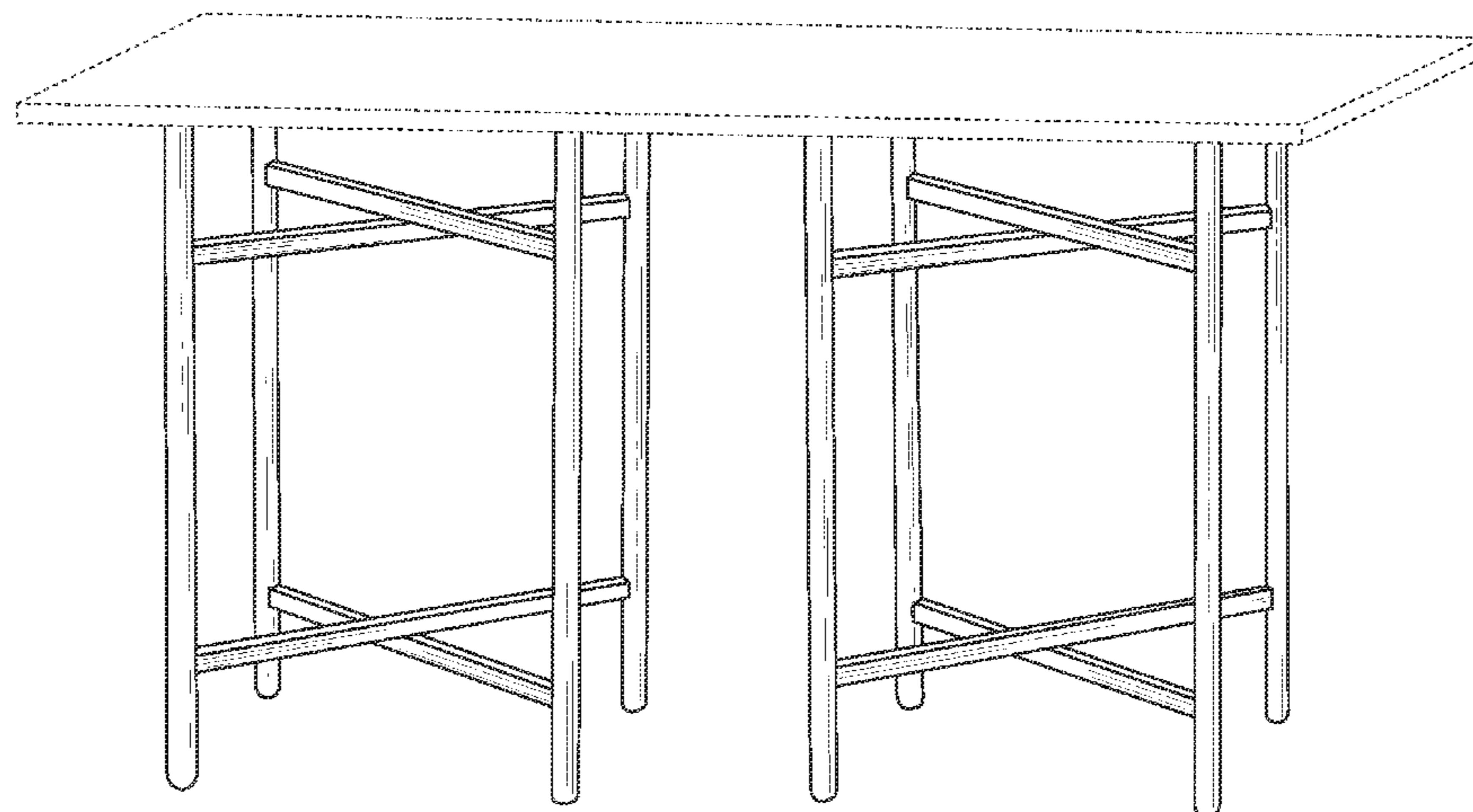
The ornamental design for a table base, as shown and described.

**DESCRIPTION**

The FIGURE is a perspective view of a table base, showing my new design.

The broken lines illustrate environmental structure and form no part of the claimed design. The drawings include surface shading that represents contour and not surface ornamentation.

**1 Claim, 1 Drawing Sheet**



(56)

**References Cited**

FOREIGN PATENT DOCUMENTS

GB	510248	7/1939
GB	652211	4/1951
GB	766898	1/1957
GB	1356191	6/1974
GB	2316605	4/1998
WO	2008/014535	2/2008

OTHER PUBLICATIONS

Bloomberry, Rosewood foldable tray table, 1stdibs.com, [http://www.1stdibs.com/furniture\\_item\\_print.php?id=664172](http://www.1stdibs.com/furniture_item_print.php?id=664172), available at least as early as Nov. 2, 2012.

Fornasetti Lacquered Tray Table, 1stdibs.com, [http://www.1stdibs.com/furniture\\_item\\_print.php?id=700614](http://www.1stdibs.com/furniture_item_print.php?id=700614), available at least as early as Nov. 2, 2012.

Mark Frisman, Hans Wegner Occasional Table in Teak, 1stdibs.com, [http://www.1stdibs.com/furniture\\_item\\_print.php?id=711797](http://www.1stdibs.com/furniture_item_print.php?id=711797), available at least as early as Nov. 2, 2012.

Dual, Nest of Occasional Tables Bertha Schaefer for M. Singer & Sons, 1stdibs.com, [http://www.1stdibs.com/furniture\\_item\\_print.php?id=330714](http://www.1stdibs.com/furniture_item_print.php?id=330714), available at least as early as Nov. 2, 2012.

G4 Décor, Tole Tray with Stand, 1stdibs.com, [http://www.1stdibs.com/furniture\\_item\\_print.php?id=499089](http://www.1stdibs.com/furniture_item_print.php?id=499089), available at least as early as Nov. 2, 2012.

Application of Nicholas Polidoros in U.S. Appl. No. 29/424,878.

\* cited by examiner

