



US00D692708S

(12) **United States Design Patent**
Polidoros

(10) **Patent No.:** **US D692,708 S**
(45) **Date of Patent:** **** Nov. 5, 2013**

- (54) **TABLE BASE**
- (71) Applicant: **IHS Global Design Pty. Ltd.**, Rowville (AU)
- (72) Inventor: **Nicholas Polidoros**, Mitcham (AU)
- (73) Assignee: **IHS Global Design Pty. Ltd.** (AU)
- (**) Term: **14 Years**
- (21) Appl. No.: **29/457,257**
- (22) Filed: **Jun. 7, 2013**

D222,624	S	11/1971	Gianfagna	
4,300,455	A *	11/1981	Ornati	108/156
D298,095	S *	10/1988	Kelley et al.	D6/484
D430,414	S	9/2000	Aloisi	
D440,431	S	4/2001	Alexandersson	
D440,788	S	4/2001	Alexandersson	
D480,578	S	10/2003	Teel	
D485,097	S	1/2004	Raftery	
D553,384	S	10/2007	Wilenius	
D649,381	S *	11/2011	Mainzer	D6/484
D662,735	S	7/2012	Polidoros	
D665,540	S	8/2012	Kilroy	
2008/0143166	A1	6/2008	De Oliveira	
2010/0147200	A1	6/2010	Polidoros	

Related U.S. Application Data

- (63) Continuation of application No. 29/424,878, filed on Jun. 16, 2012, which is a continuation of application No. 12/377,096, filed on Feb. 10, 2009, now abandoned.
- (51) **LOC (9) Cl.** **06-06**
- (52) **U.S. Cl.**
USPC **D6/708**
- (58) **Field of Classification Search**
USPC D6/480-489, 495-499, 429-431, 691.8, D6/692.6, 709; 108/153.1, 155, 156, 108/157.1, 161, 115, 157.16, 157.17, 108/157.18, 118, 119, 160; 248/188, 188.1, 248/188.7, 188.8
See application file for complete search history.

References Cited

U.S. PATENT DOCUMENTS

587,219	A	7/1897	Maes
D35,045	S	9/1901	Stickley
1,939,904	A	12/1933	Koopman
1,963,594	A	6/1934	Schwabe
2,010,342	A	8/1935	Woods
2,190,623	A	2/1940	Benson
2,591,797	A	4/1952	Exline

FOREIGN PATENT DOCUMENTS

AU	2006203492	8/2006
CN	3245051	7/2002

(Continued)

OTHER PUBLICATIONS

Forbes Industries, EcoFlex Tables Catalogue, © 2013.

(Continued)

Primary Examiner — Janice Seeger

(74) *Attorney, Agent, or Firm* — Saidman DesignLaw Group

(57) **CLAIM**

The ornamental design for a table base, as shown and described.

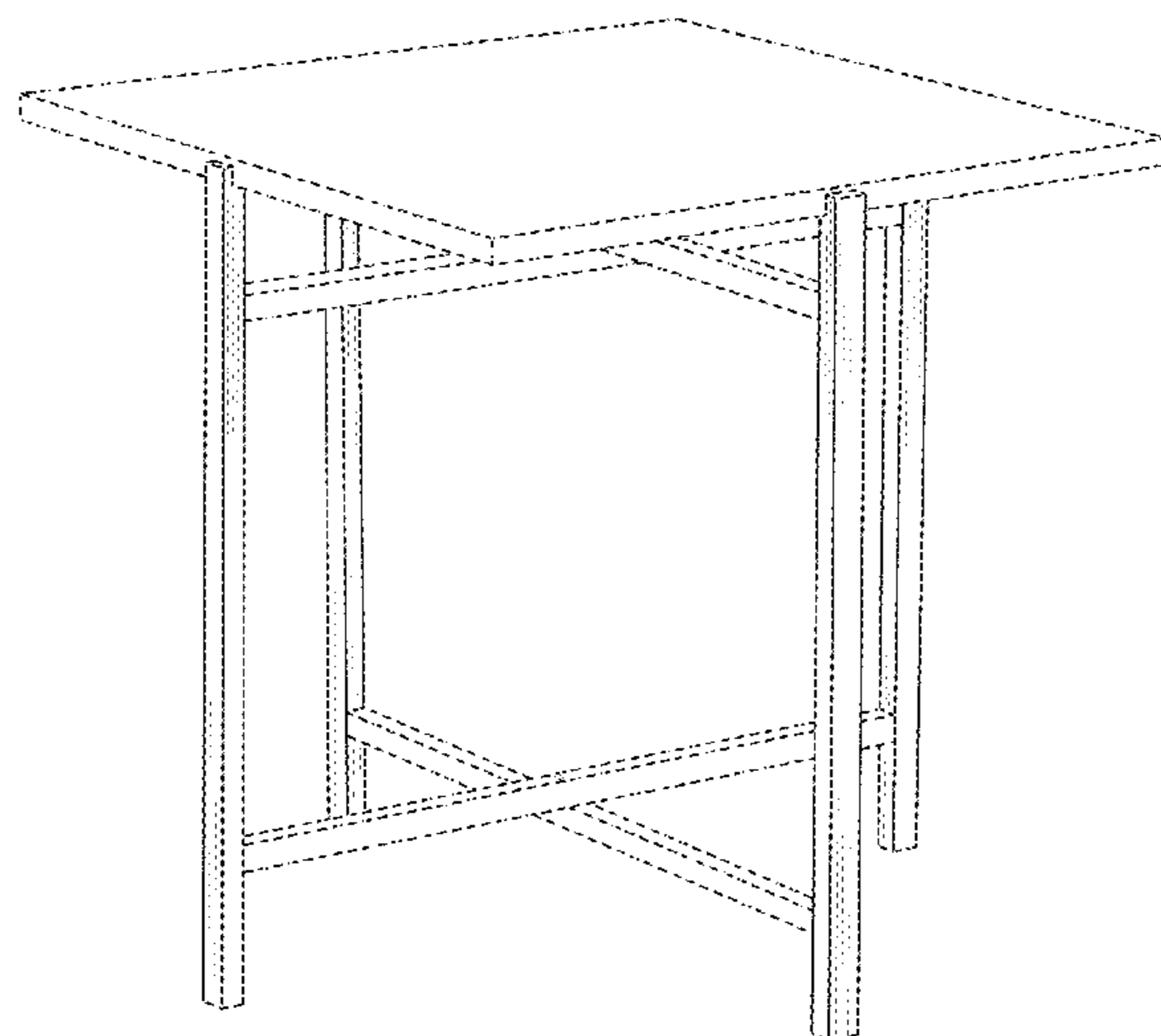
DESCRIPTION

The sole FIGURE is a perspective view of a table base showing my new design.

The broken lines illustrate environmental structure and form no part of the claimed design. The drawings include surface shading that represents contour and not surface ornamentation.

Those portions of the table base not shown in the FIGURE form no part of the claimed design.

1 Claim, 1 Drawing Sheet



(56)

References Cited

FOREIGN PATENT DOCUMENTS

FR	954590-001	11/1995
FR	954590-002	11/1995
GB	397592	8/1933
GB	510248	7/1939
GB	652211	4/1951
GB	766898	1/1957
GB	2316605	4/1998
WO	2008/014535	2/2008

OTHER PUBLICATIONS

Bloomberry, Rosewood foldable tray table, 1stdibs.com, http://www.1stdibs.com/furniture_item_print.php?id=664172, available at least as early as Nov. 2, 2012.

Fornasetti Lacquered Tray Table, 1stdibs.com, http://www.1stdibs.com/furniture_item_print.php?id=700614, available at least as early as Nov. 2, 2012.

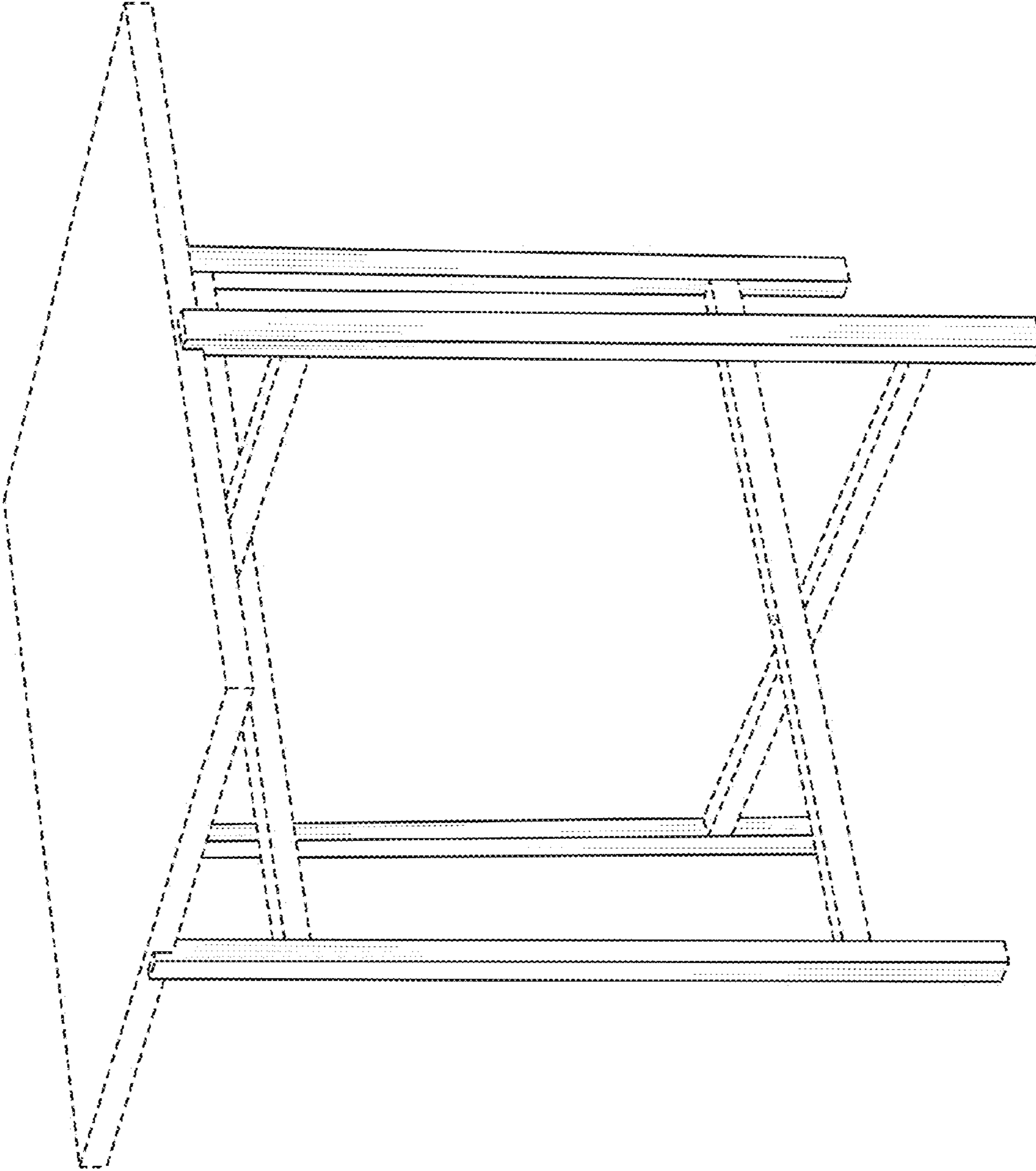
Mark Frisman, Hans Wegner Occasional Table in Teak, 1stdibs.com, http://www.1stdibs.com/furniture_item_print.php?id=711797, available at least as early as Nov. 2, 2012.

Dual, Nest of Occasional Tables Bertha Schaefer for M. Singer & Sons, 1stdibs.com, http://www.1stdibs.com/furniture_item_print.php?id=330714, available at least as early as Nov. 2, 2012.

G4 Décor, Tole Tray with Stand, 1stdibs.com, http://www.1stdibs.com/furniture_item_print.php?id=499089, available at least as early as Nov. 2, 2012.

Application of Nicholas Polidoros in U.S. Appl. No. 29/424,878.

* cited by examiner



UNITED STATES PATENT AND TRADEMARK OFFICE
CERTIFICATE OF CORRECTION

PATENT NO. : D692,708 S
APPLICATION NO. : 29/457257
DATED : November 5, 2013
INVENTOR(S) : Nicholas Polidoros

Page 1 of 1

It is certified that error appears in the above-identified patent and that said Letters Patent is hereby corrected as shown below:


Title Page: Item 86 insert:

--May 4, 2007 PCT/AU2007/000589--

Title Page: Related U.S. Application Data should appear as follows:

(63) Continuation of application No. 29/424,878 filed June 16, 2012, which is a continuation of application No. 12/377,096, filed February 10, 2009, now abandoned, which is a 371 of expired international application No. PCT/AU2007/000589 filed May 4, 2007.

Signed and Sealed this
Twenty-fifth Day of March, 2014



Michelle K. Lee
Deputy Director of the United States Patent and Trademark Office