



US00D692706S

(12) **United States Design Patent**  
**Ogawa**

(10) **Patent No.:** **US D692,706 S**  
(45) **Date of Patent:** **\*\* Nov. 5, 2013**

(54) **KITCHEN COUNTER**

FOREIGN PATENT DOCUMENTS

(76) Inventor: **Hirohisa Ogawa, Zushi (JP)**

EM	000922653-0001	S	5/2008
EM	000922653-0004	S	5/2008
JP	D1405467	S	1/2011
JP	D1420566	S	8/2011
JP	D1420568	S	8/2011

(\*\*) Term: **14 Years**

\* cited by examiner

(21) Appl. No.: **29/399,512**

(22) Filed: **Aug. 15, 2011**

*Primary Examiner* — Cathron Brooks

*Assistant Examiner* — Sydney Buffalow

(30) **Foreign Application Priority Data**

(74) *Attorney, Agent, or Firm* — Strategy IP, a professional law corp

Feb. 25, 2011	(JP)	.....	2011-004214
Feb. 25, 2011	(JP)	.....	2011-004215
Feb. 25, 2011	(JP)	.....	2011-004216
Feb. 25, 2011	(JP)	.....	2011-004217

(57) **CLAIM**

The ornamental design for a kitchen counter, as shown and described.

(51) **LOC (9) Cl.** ..... **06-02**

**DESCRIPTION**

(52) **U.S. Cl.**

USPC ..... **D6/707**

(58) **Field of Classification Search**

USPC ..... D6/511, 495, 492, 429-431, 406.3,  
D6/480-489; 108/150, 152, 153.1, 157.1,  
108/161, 43; D7/698; D21/397, 484;  
248/188, 188.1, 188.8; 126/211;  
414/12

FIG. 1 is a front, top and right side perspective view of a kitchen counter, showing my new design;  
FIG. 2 is a rear, top and right side perspective view thereof;  
FIG. 3 is a front elevational view thereof;  
FIG. 4 is a rear elevational view thereof;  
FIG. 5 is a top plan view thereof;  
FIG. 6 is a bottom plan view thereof;  
FIG. 7 is a right side elevational view thereof; the opposite side being a mirror image thereof;  
FIG. 8 is a cross sectional view thereof, taken along the line 8-8 in FIG. 7; and,  
FIG. 9 is a cross sectional view thereof, taken along the line 9-9 in FIG. 7.

See application file for complete search history.

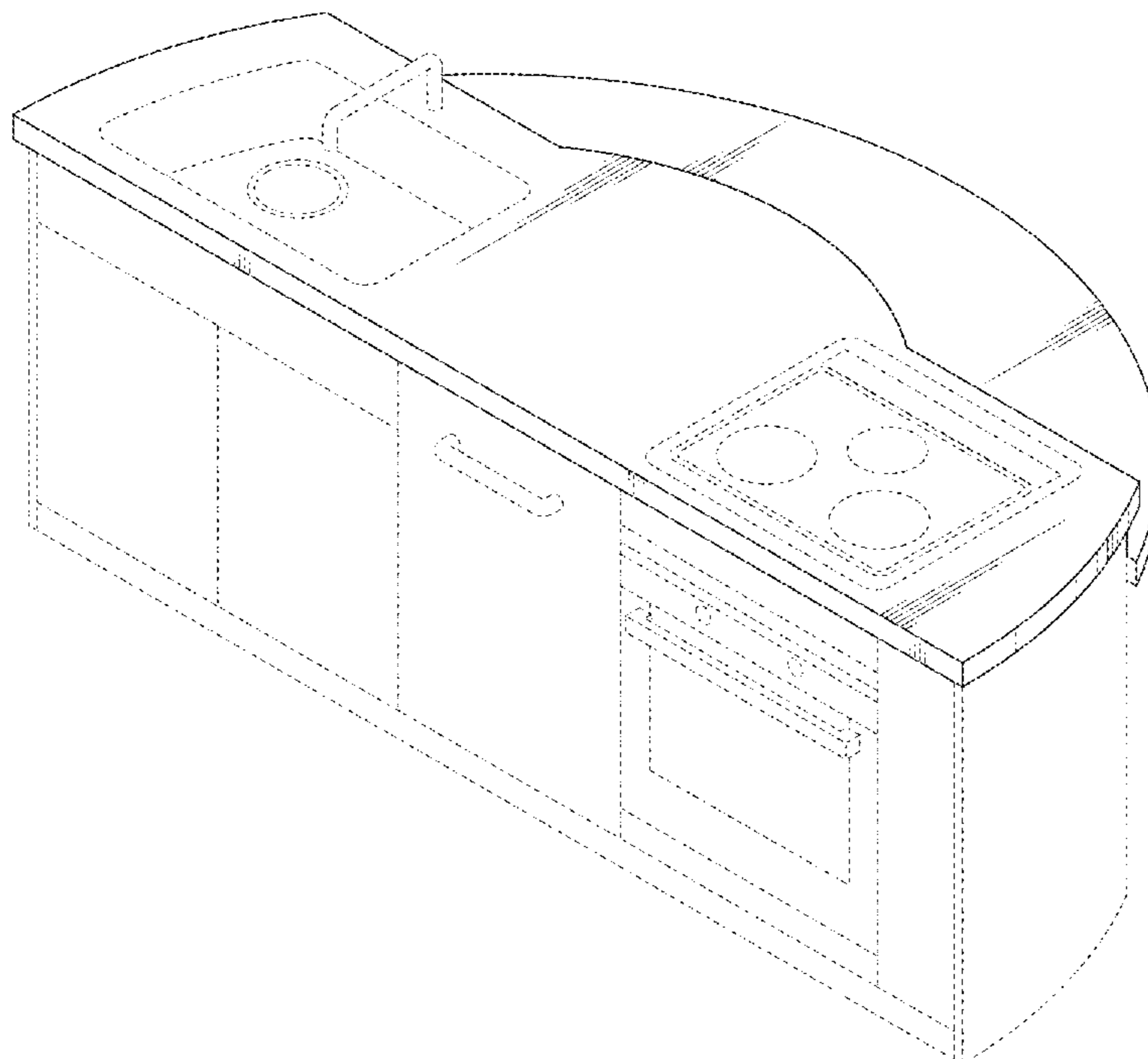
The broken lines shown are included for the purpose of illustrating the environment in which the article resides and form no part of the claimed design.

(56) **References Cited**

U.S. PATENT DOCUMENTS

D207,713	S	*	5/1967	Sullivan	.....	D6/511
D401,791	S	*	12/1998	Schwab	.....	D6/486
D610,380	S	*	2/2010	Momeny	.....	D6/511
D627,997	S	*	11/2010	Ogawa	.....	D6/511
2007/0169770	A1	*	7/2007	Kuwamura	.....	126/211
2009/0180843	A1	*	7/2009	Jackson et al.	.....	414/12

**1 Claim, 9 Drawing Sheets**



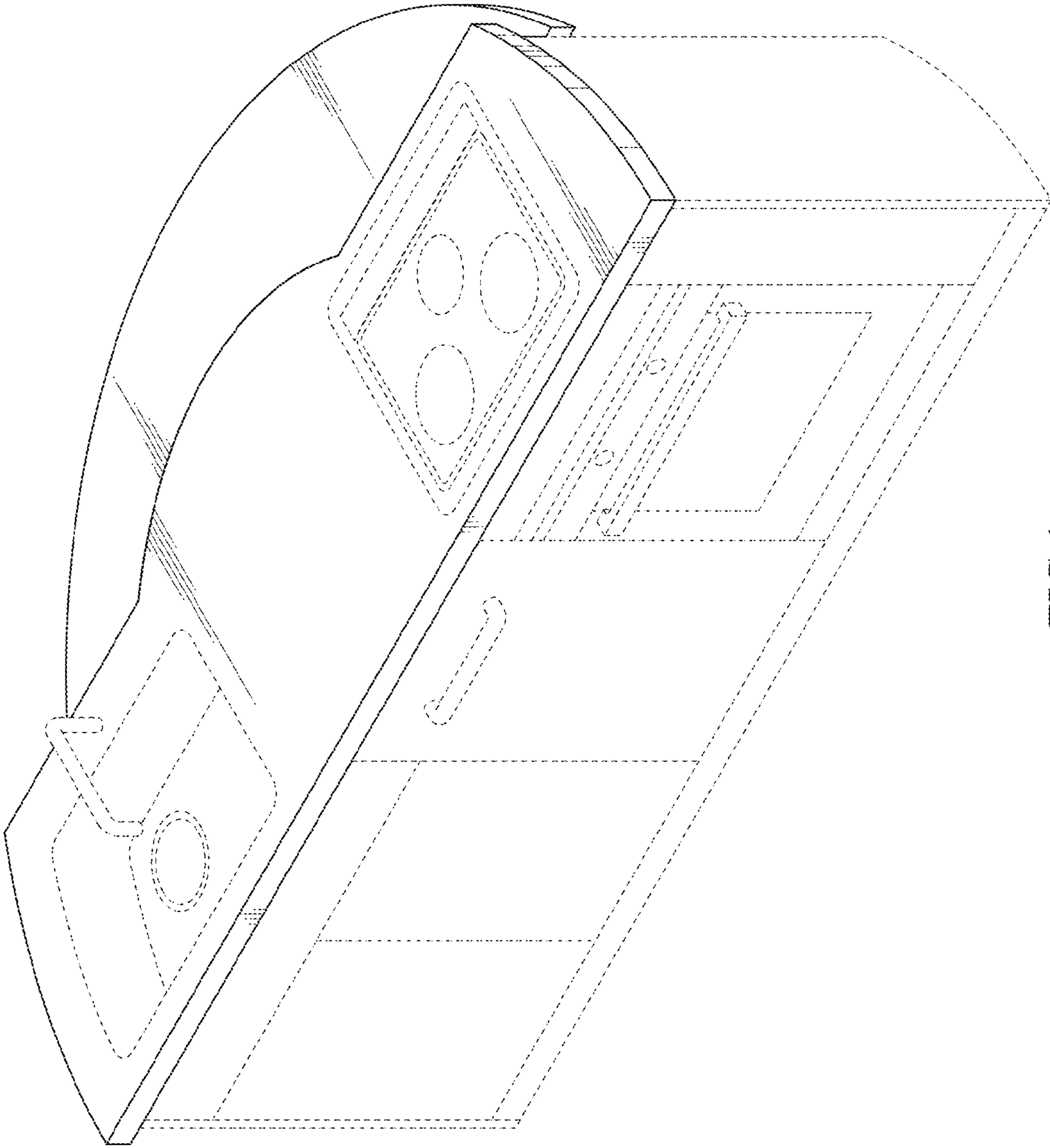


FIG.1

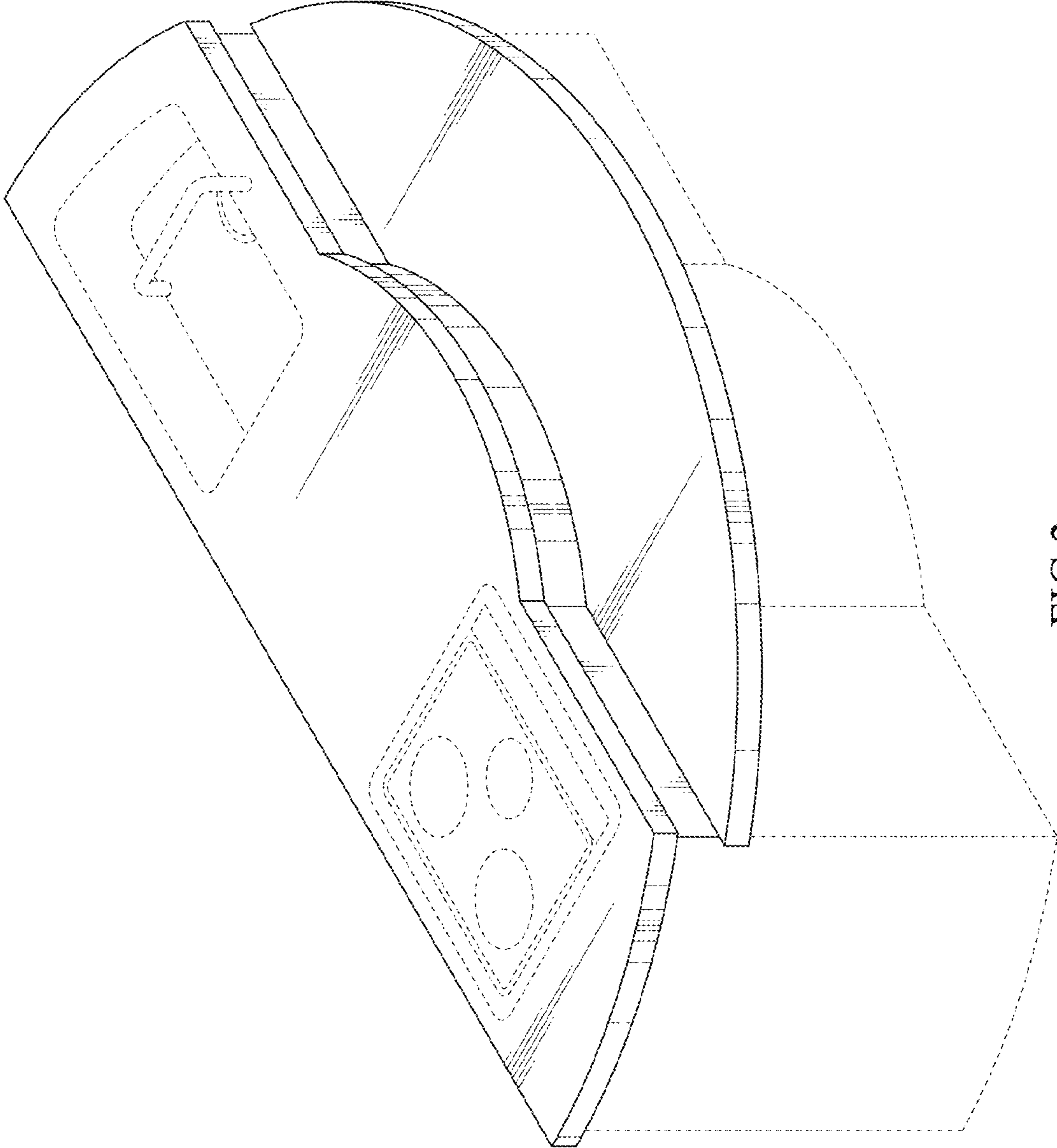


FIG.2

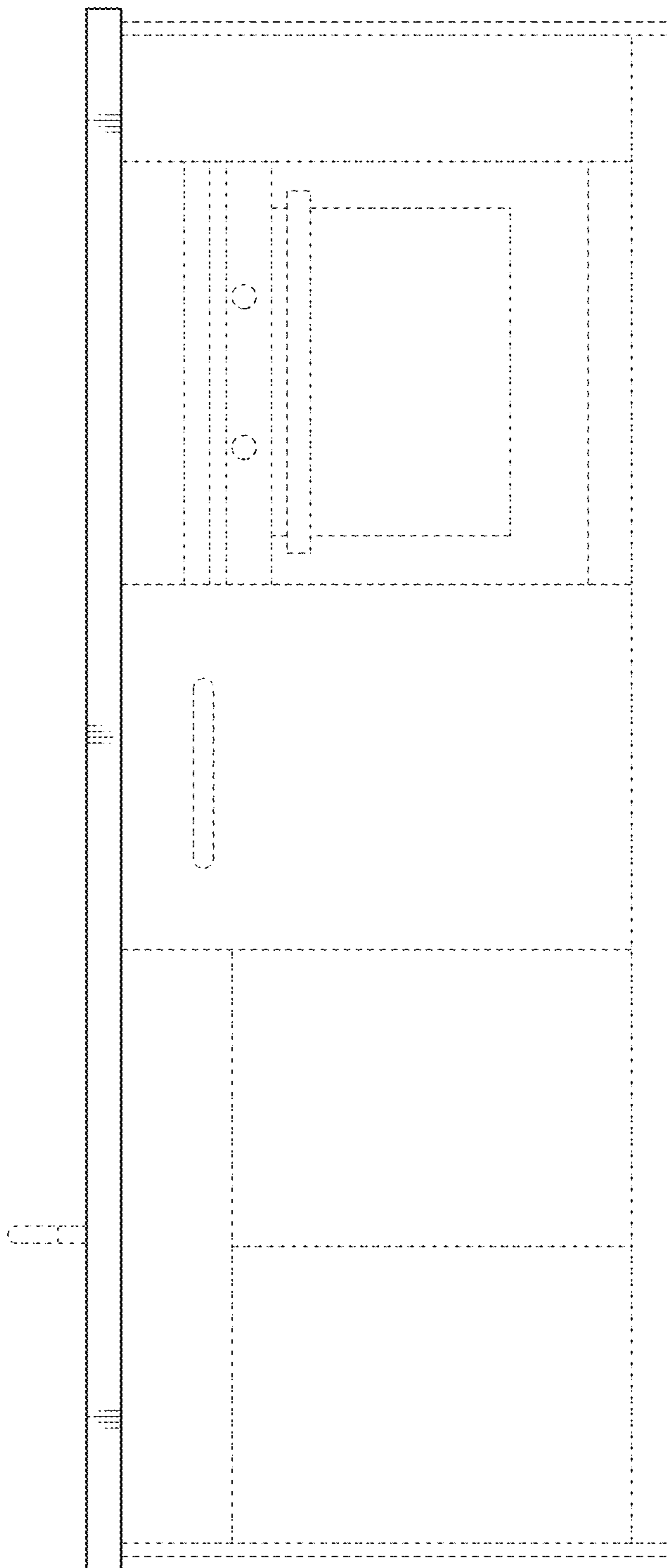


FIG.3

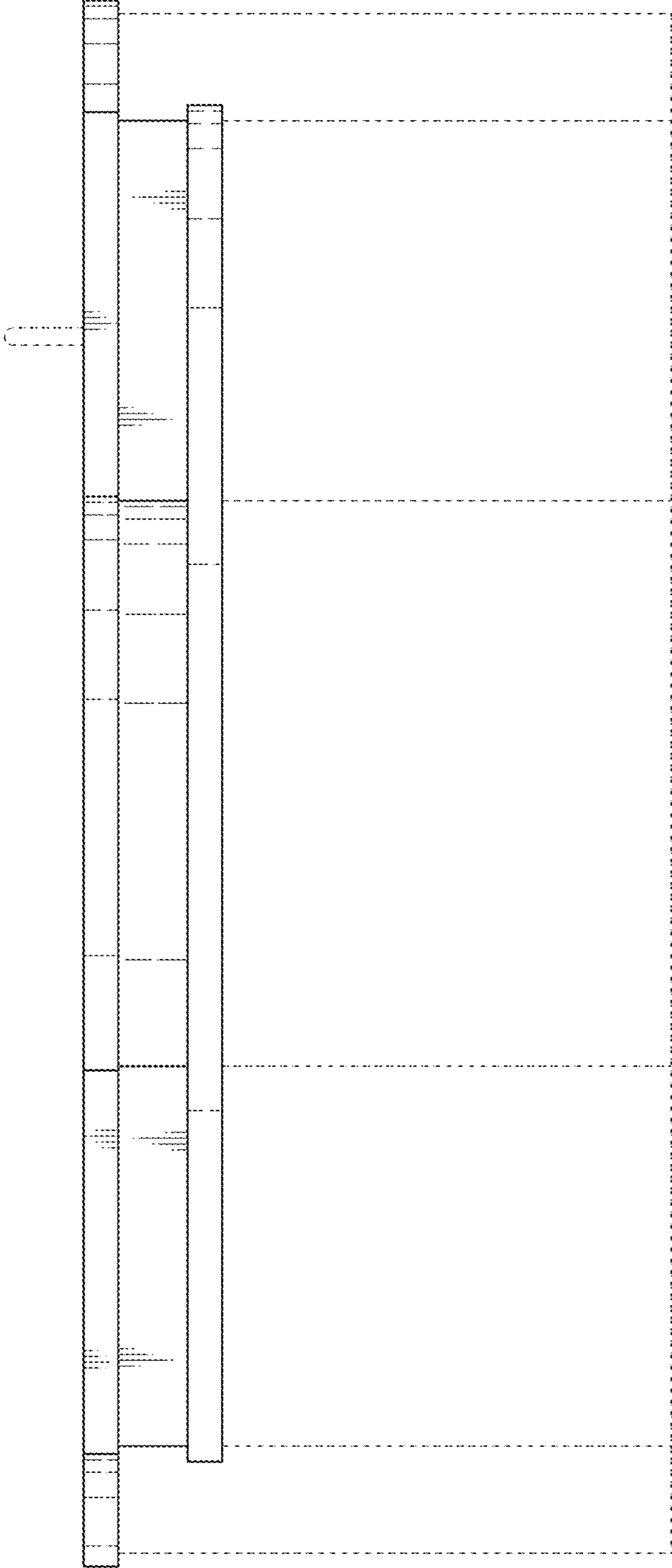


FIG.4

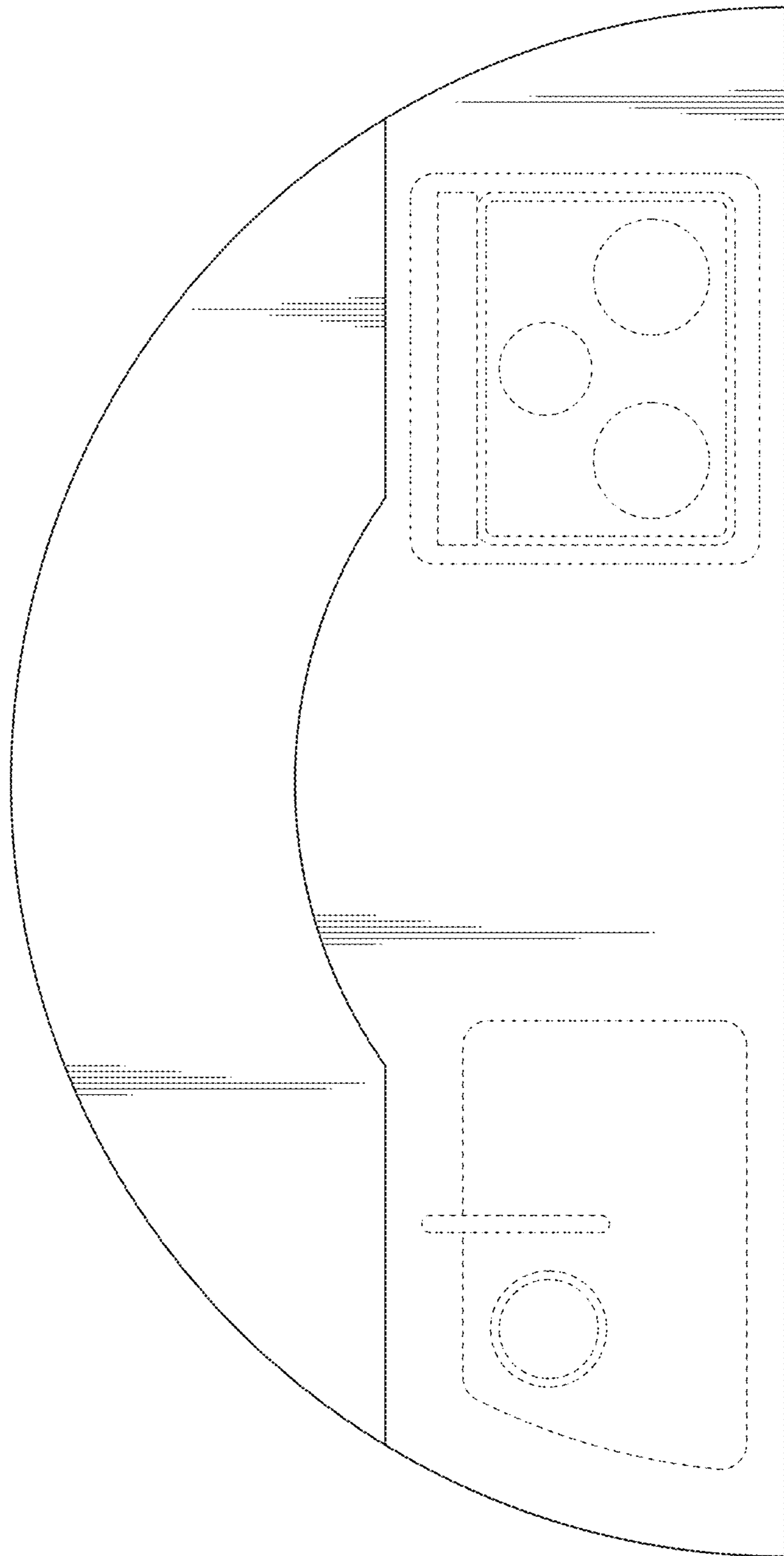


FIG. 5

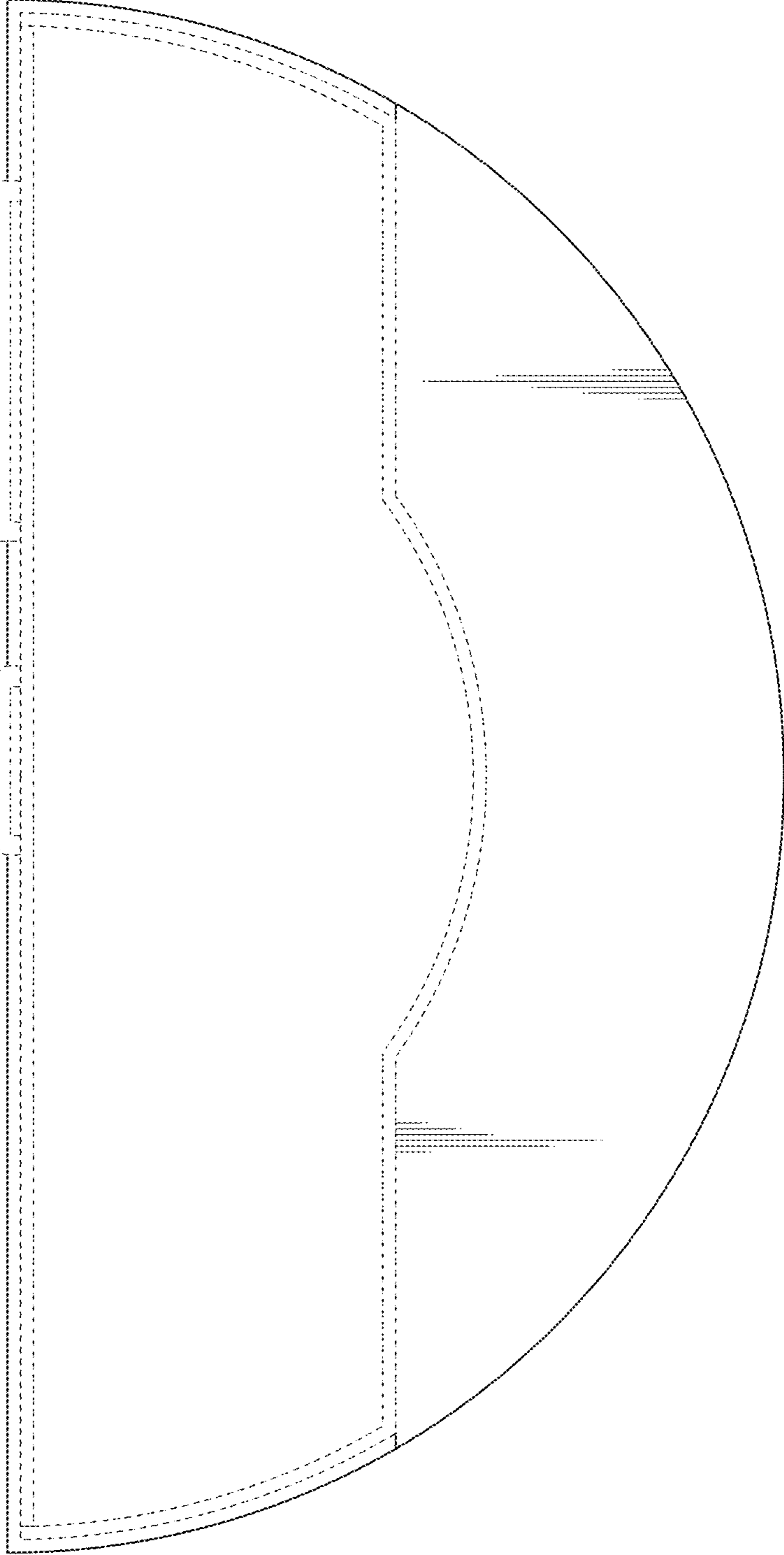


FIG.6

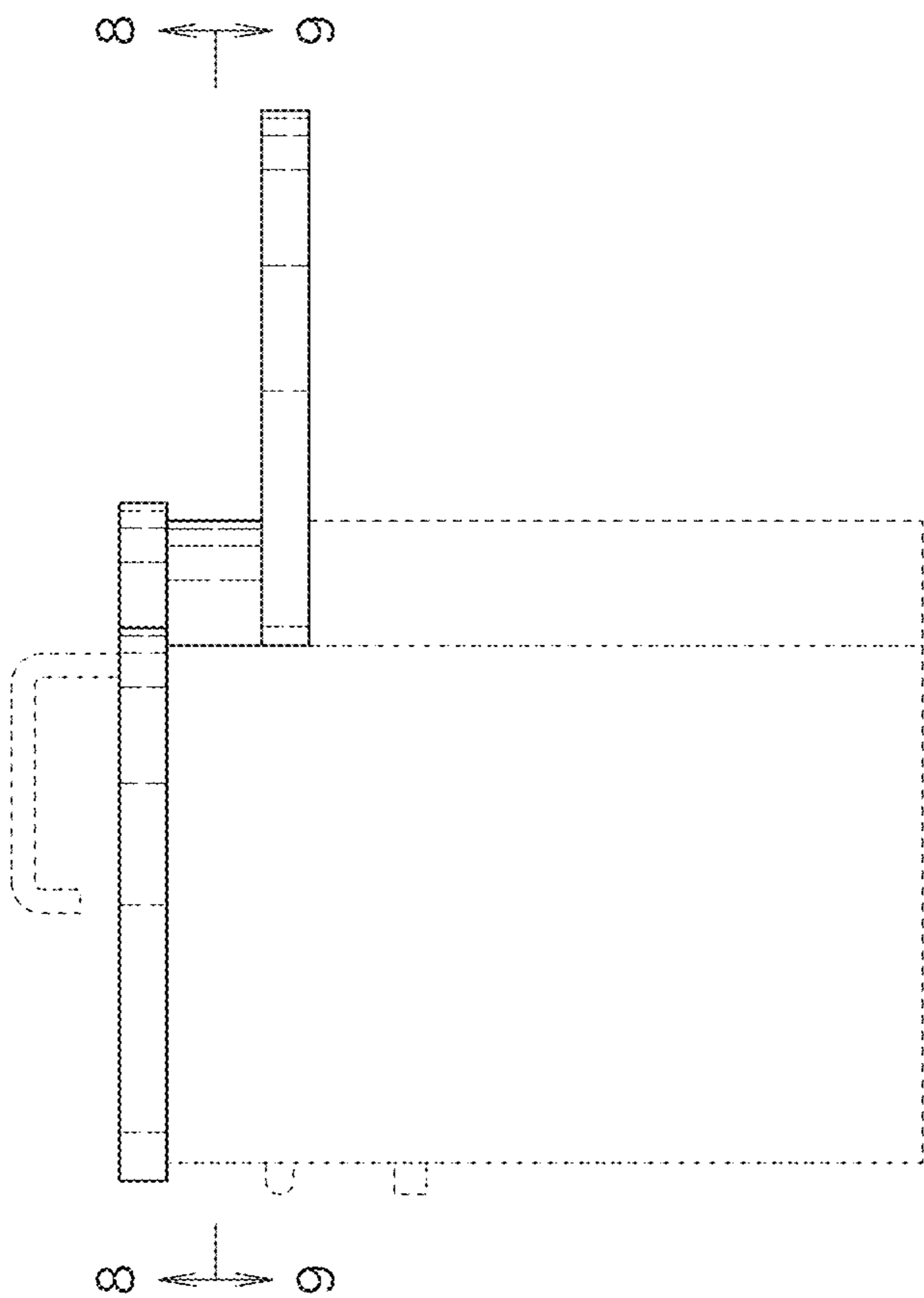


FIG. 7



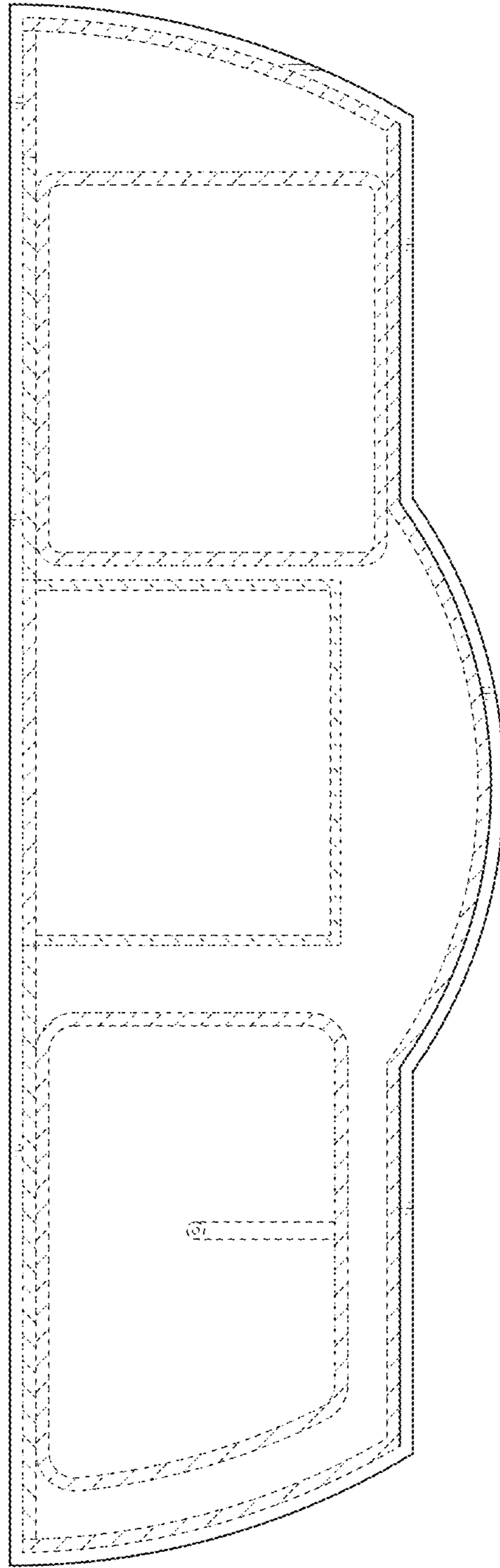


FIG. 8

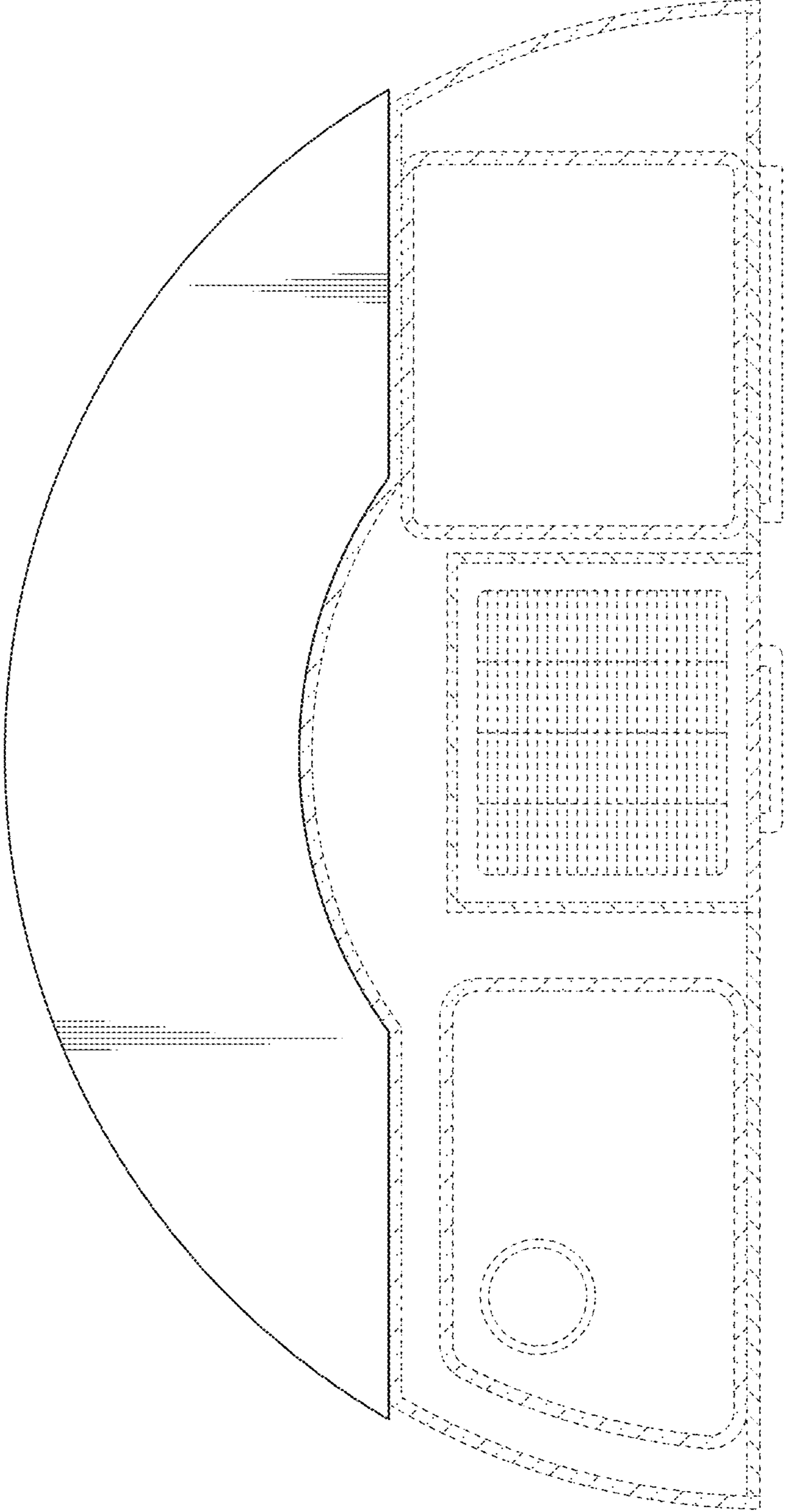


FIG.9