



US00D692705S

(12) **United States Design Patent**  
**Hernanz Arbeloa et al.**

(10) **Patent No.:** **US D692,705 S**  
(45) **Date of Patent:** **\*\* Nov. 5, 2013**

(54) **FURNITURE DRAWERS**

(75) Inventors: **Angel Maria Hernanz Arbeloa**,  
Boadilla del Monte (ES); **José Antonio**  
**Freire De La Cruz**, Boadilla del Monte  
(ES)

(73) Assignees: **Indusrial Neo Tex, S.A.**, Boadilla del  
Monte (Madrid) (ES); **Angel Maria**  
**Hernanz Arbeloa**, Boadilla del Monte  
(Madrid) (SE); **José Antonio Freire De**  
**La Cruz**, Boadilla del Monte (Madrid)  
(ES)

(\*\*) Term: **14 Years**

(21) Appl. No.: **29/427,451**

(22) Filed: **Jul. 18, 2012**

(51) **LOC (9) Cl.** ..... **06-06**

(52) **U.S. Cl.**  
USPC ..... **D6/705**

(58) **Field of Classification Search**

USPC ..... D3/313; D6/300, 309, 374, 396, 420,  
D6/425, 432-448, 460-470, 474-479,  
D6/491-495, 509-511, 559, 663, 671.1,  
D6/675.2, 678.4, 705, 705.4-705.7, 706;  
D7/405, 409, 600.1-600.4; D34/27;  
165/48.1; 229/117.21; 312/107-109,  
312/138.1, 194, 198, 204-217, 224-237,  
312/257.1, 258, 263, 278-279, 330.1,  
312/332.1, 334.1, 334.7, 334.8,  
312/348.1-348.2; 403/230, 261

See application file for complete search history.

(56) **References Cited**

**U.S. PATENT DOCUMENTS**

D149,434 S \* 4/1948 Moberg ..... D6/446  
2,757,852 A \* 8/1956 King et al. .... 229/117.21

(Continued)

**FOREIGN PATENT DOCUMENTS**

DE 202007005036 U1 7/2007  
DE 102006044847 A1 3/2008

(Continued)

**OTHER PUBLICATIONS**

International Search Report, Aug. 18, 2011.

*Primary Examiner* — Ricky Pham

(74) *Attorney, Agent, or Firm* — Tristan A. Fuierer; Moore &  
Van Allen, PLLC

(57) **CLAIM**

The ornamental design for furniture drawers, as shown and  
described.

**DESCRIPTION**

FIG. 1 is a perspective view of the furniture drawer showing  
a first embodiment of the invention.

FIG. 2 is a top plan view of the furniture drawers of FIG. 1.

FIG. 3 is a side view of the furniture drawers of FIG. 1.

FIG. 4 is another side view of the furniture drawers of FIG. 1.

FIG. 5 is a front view of the furniture drawers of FIG. 1.

FIG. 6 is a back view of the furniture drawers of FIG. 1.

FIG. 7 is a bottom view of the furniture drawers of FIG. 1.

FIG. 8 is a perspective view of the furniture drawers of FIG.  
1 showing Detail A and Detail B.

FIG. 9 is a perspective view of the furniture drawer showing  
a second embodiment of the invention.

FIG. 10 is a top plan view of the furniture drawers of FIG. 9.

FIG. 11 is a side view of the furniture drawers of FIG. 9.

FIG. 12 is another side view of the furniture drawers of FIG.  
9.

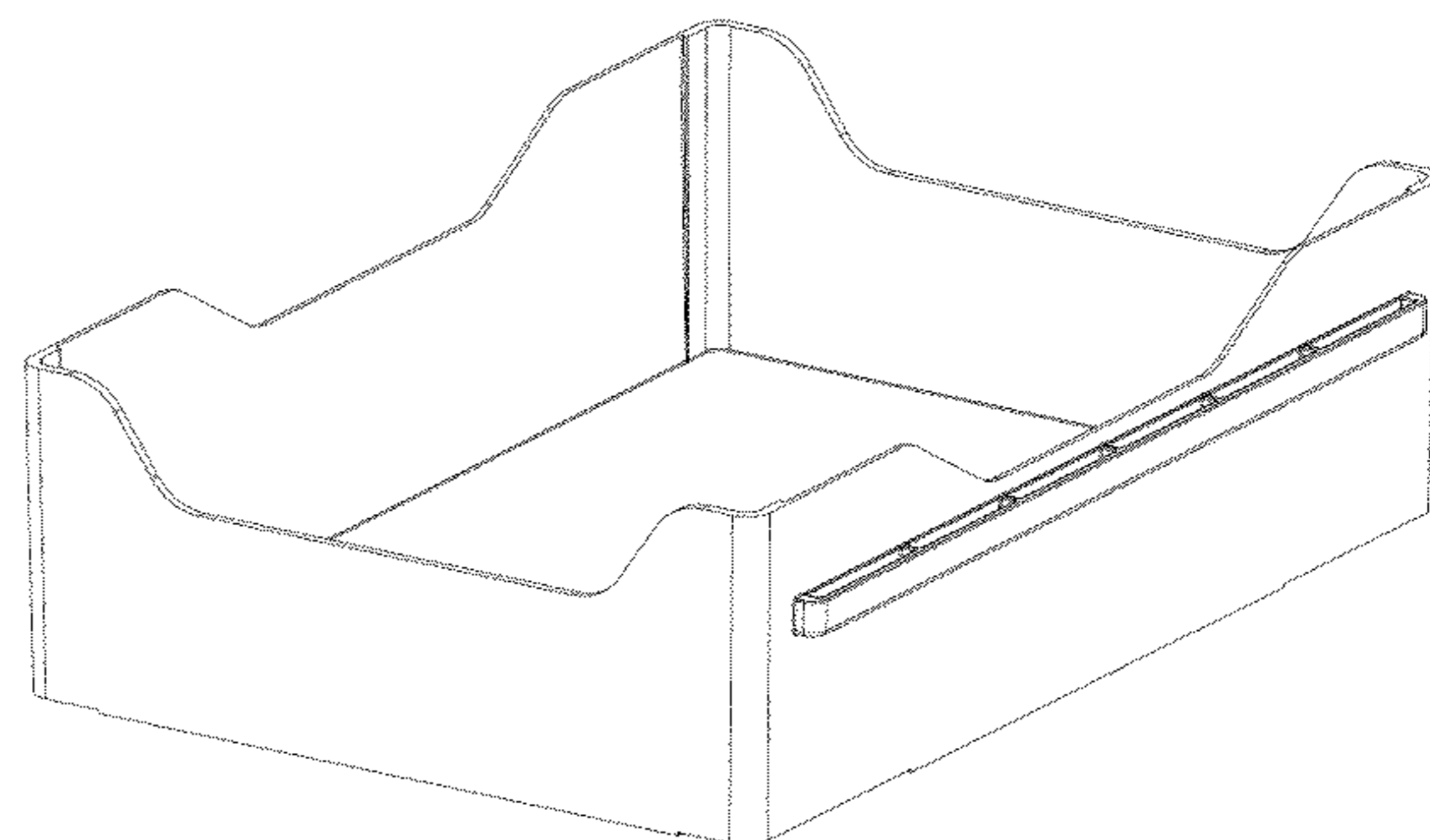
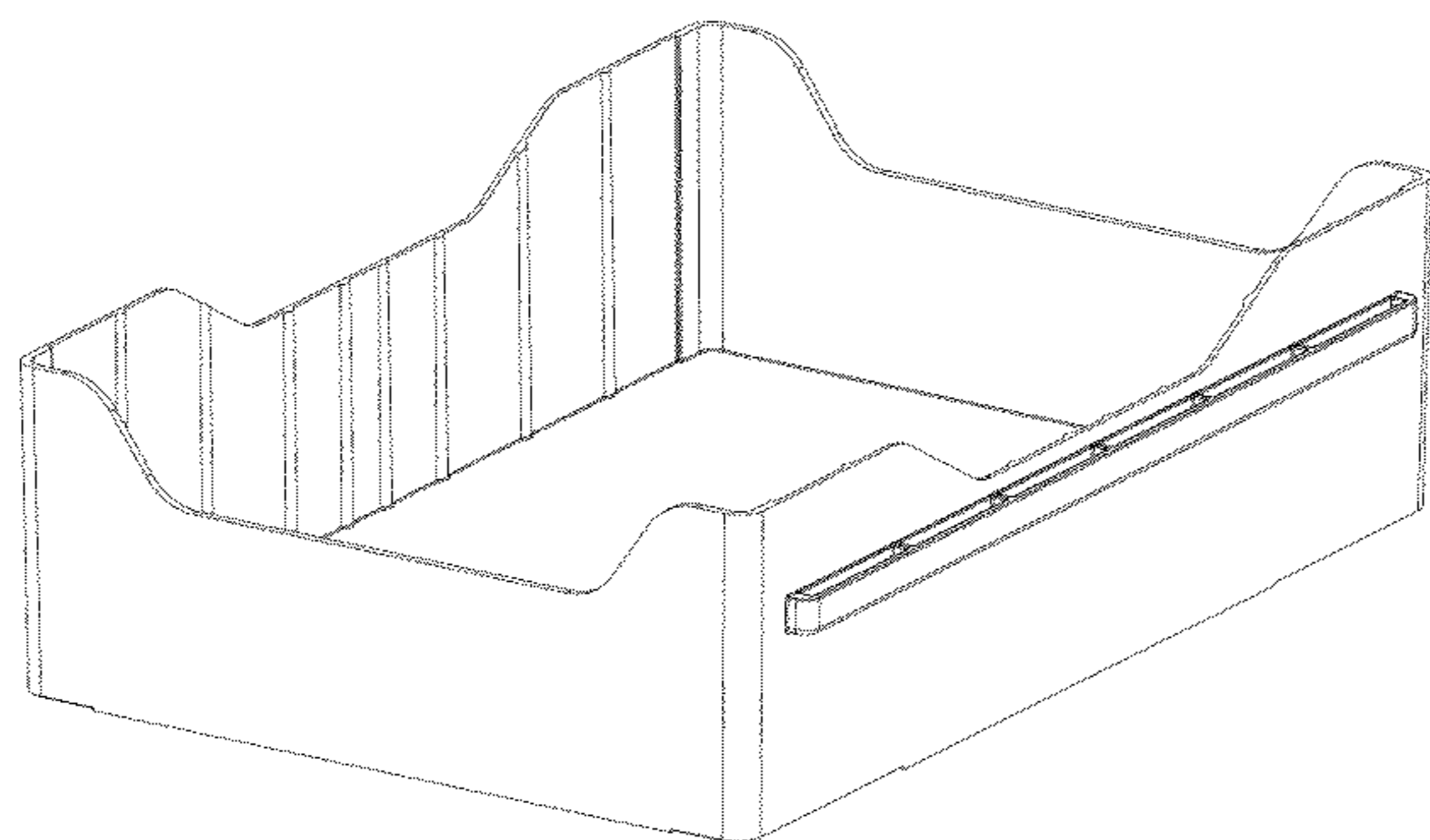
FIG. 13 is a front view of the furniture drawers of FIG. 9.

FIG. 14 is a back view of the furniture drawers of FIG. 9.

FIG. 15 is a bottom view of the furniture drawers of FIG. 9;  
and,

FIG. 16 is a perspective view of the furniture drawers of FIG.  
9 showing Detail A.

**1 Claim, 12 Drawing Sheets**



(56)

**References Cited**

U.S. PATENT DOCUMENTS

D263,100 S \* 2/1982 Thompson ..... D6/432  
 D263,777 S \* 4/1982 Thompson ..... D6/448  
 4,440,461 A \* 4/1984 Powell et al. .... 312/334.8  
 D296,397 S \* 6/1988 Cugley ..... D6/476  
 4,861,123 A \* 8/1989 Russell ..... 312/330.1  
 5,159,973 A \* 11/1992 Pennington et al. .... 165/48.1  
 D335,409 S \* 5/1993 Kellems ..... D6/510  
 5,681,102 A \* 10/1997 Forsgren ..... 312/334.1  
 D386,634 S \* 11/1997 Daus ..... D6/510  
 D388,986 S \* 1/1998 Dittberner et al. .... D6/510  
 D504,258 S \* 4/2005 Grossman et al. .... D6/510  
 7,048,347 B1 \* 5/2006 Liu ..... 312/332.1  
 D523,667 S \* 6/2006 Bisson ..... D6/510  
 D529,254 S \* 9/2006 Huguet ..... D34/27  
 D540,999 S \* 4/2007 Huguet ..... D34/27  
 7,306,298 B2 \* 12/2007 Doerfler et al. .... 312/258

D565,875 S \* 4/2008 Oura et al. .... D6/510  
 D612,681 S \* 3/2010 Baker et al. .... D7/405  
 7,722,139 B1 \* 5/2010 Chen et al. .... 312/334.7  
 D619,832 S \* 7/2010 Zalewski et al. .... D6/510  
 D625,941 S \* 10/2010 Holzer ..... D6/510  
 D638,237 S \* 5/2011 Holzer ..... D6/510  
 8,186,178 B2 5/2012 Böss  
 D667,658 S \* 9/2012 Maroney et al. .... D6/510  
 D672,174 S \* 12/2012 Artus et al. .... D6/705  
 2010/0170287 A1 7/2010 Böss

FOREIGN PATENT DOCUMENTS

DE 102008009249 A1 8/2009  
 EP 2144546 B1 8/2010  
 GB 2054115 A 2/1981  
 WO 2008122413 A1 10/2008

\* cited by examiner

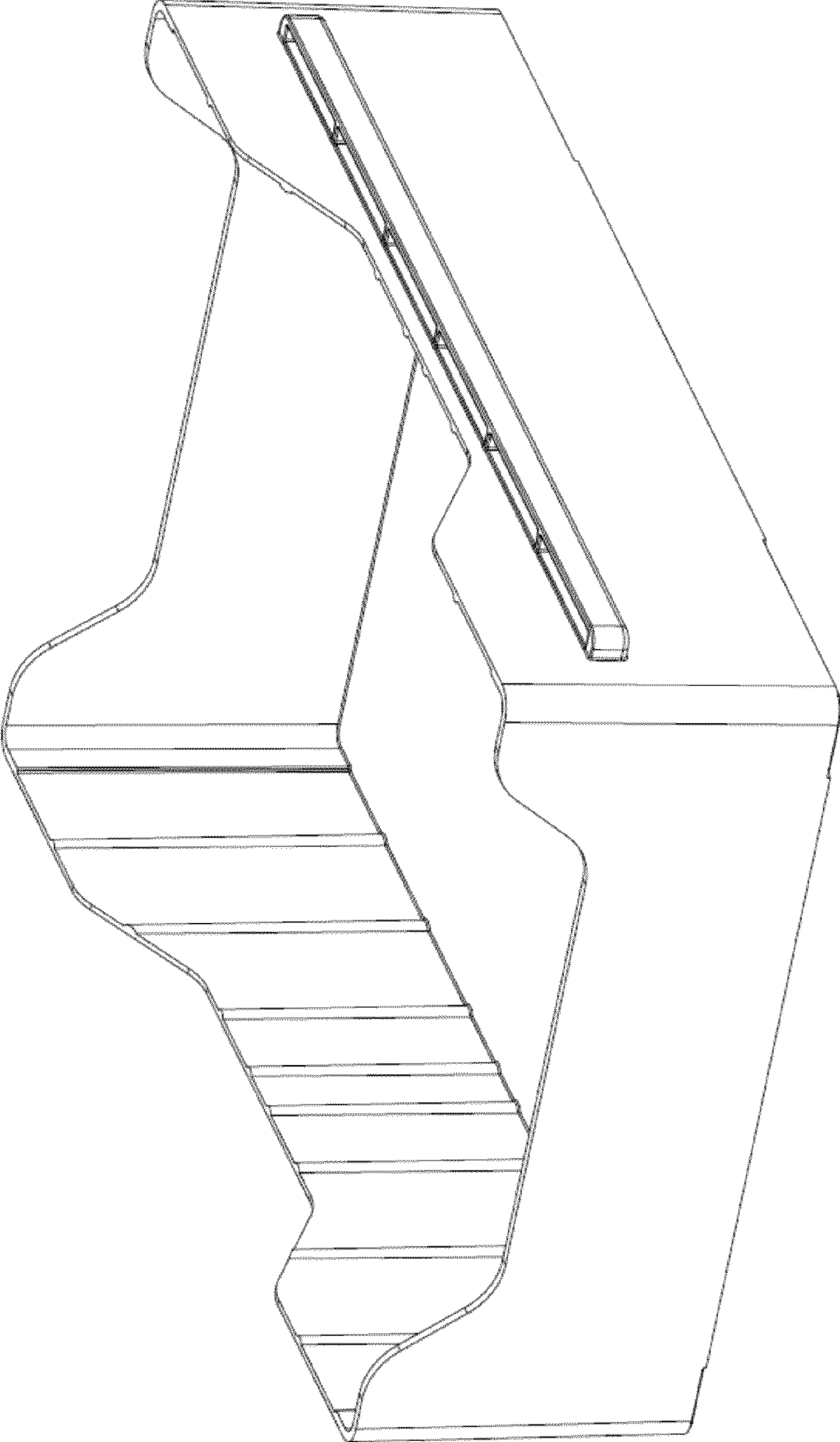


FIGURE 1

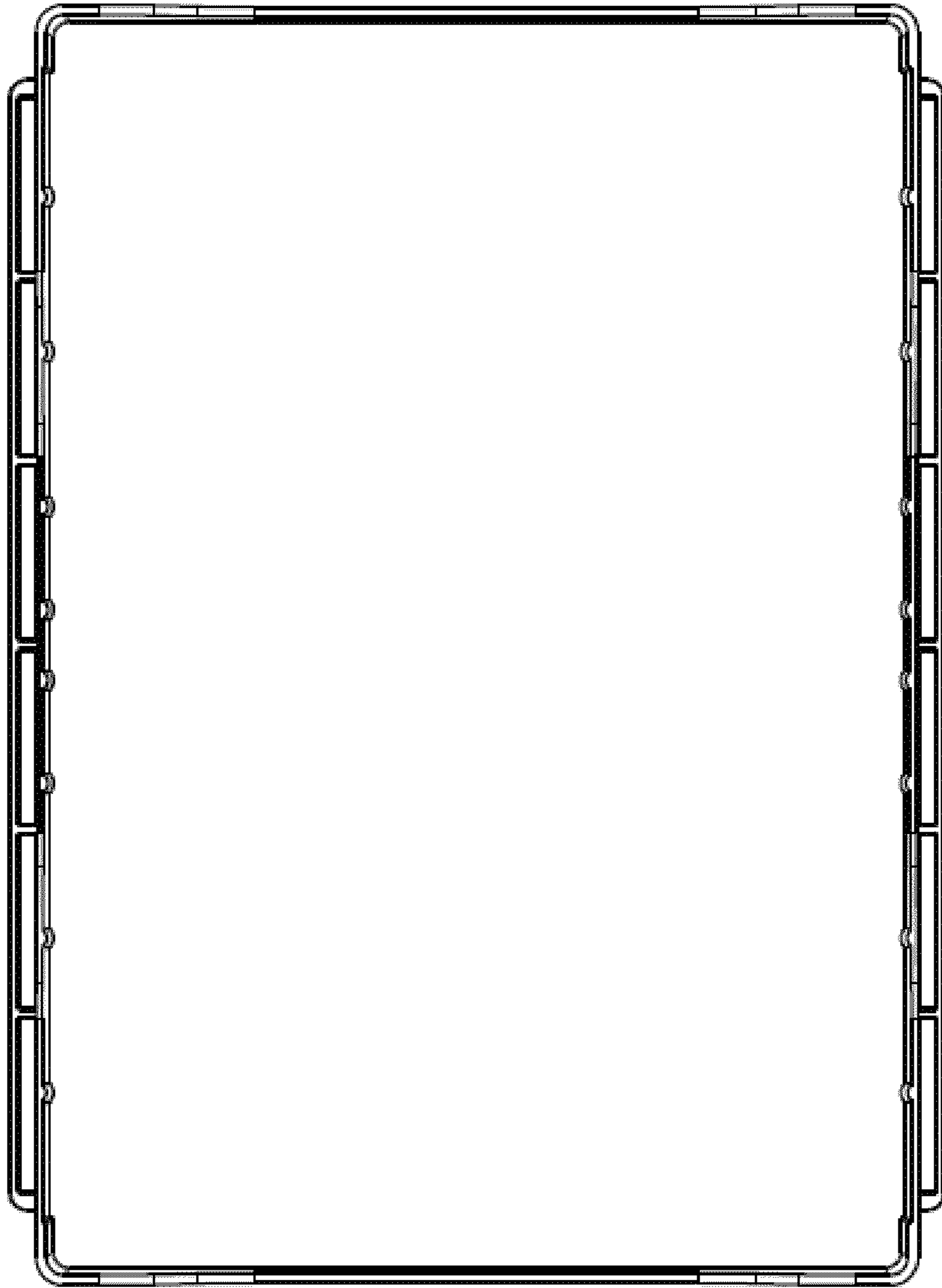


FIGURE 2

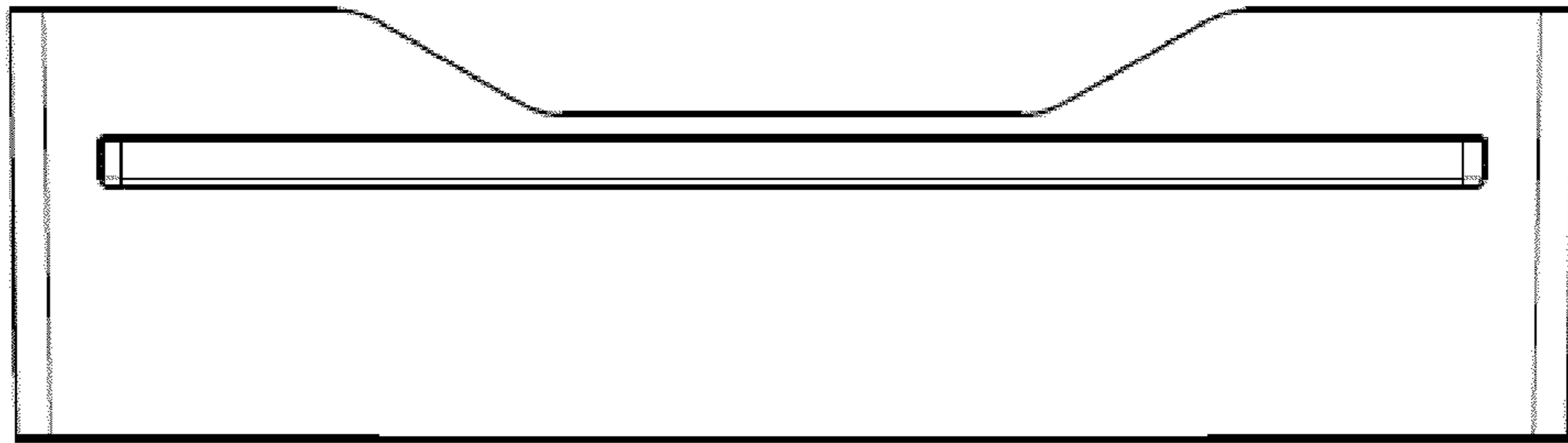


FIGURE 3

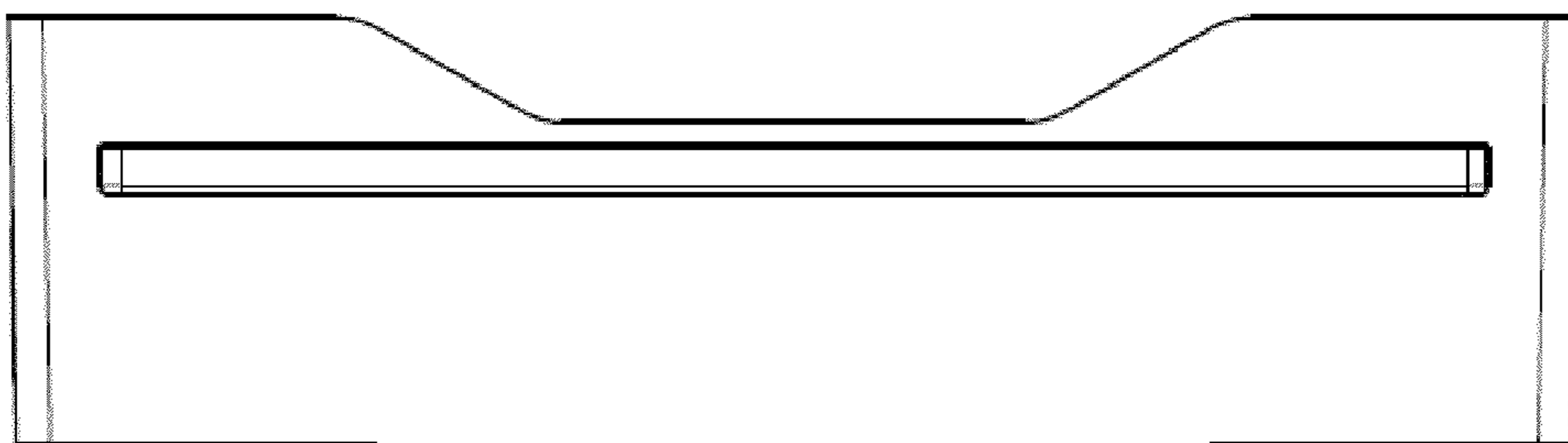


FIGURE 4

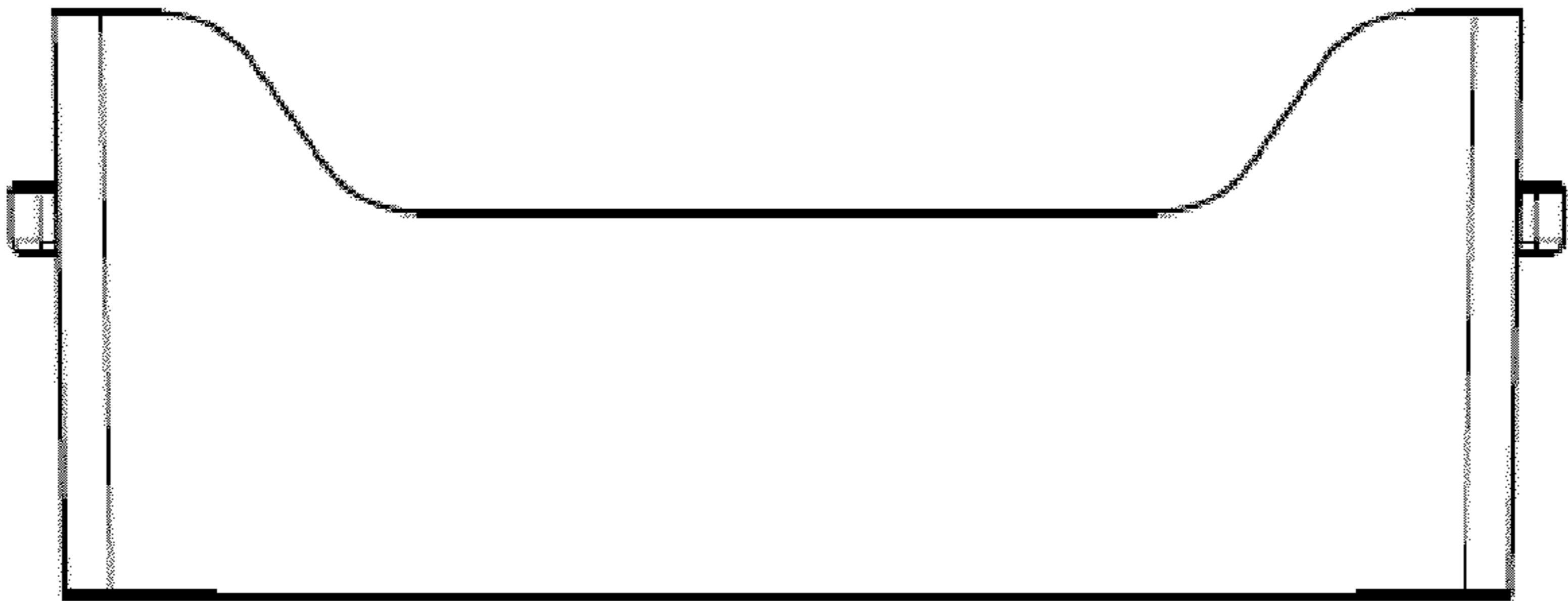


FIGURE 5

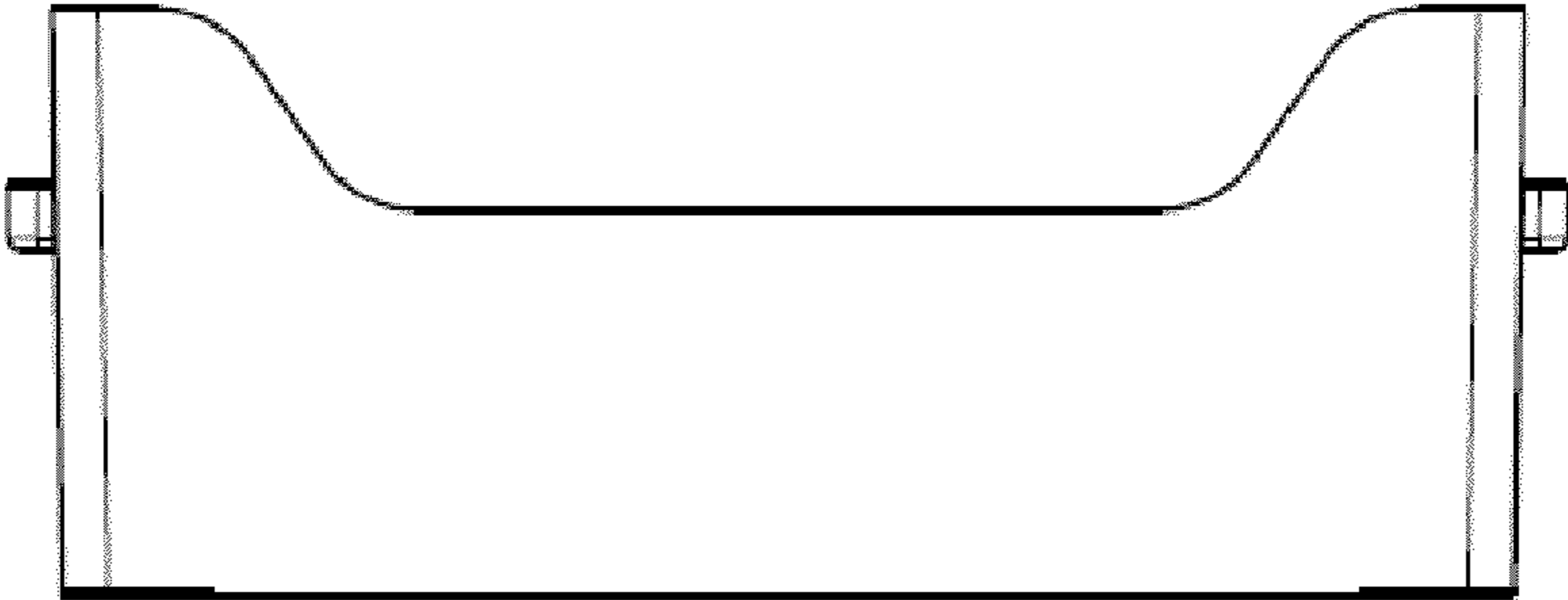


FIGURE 6

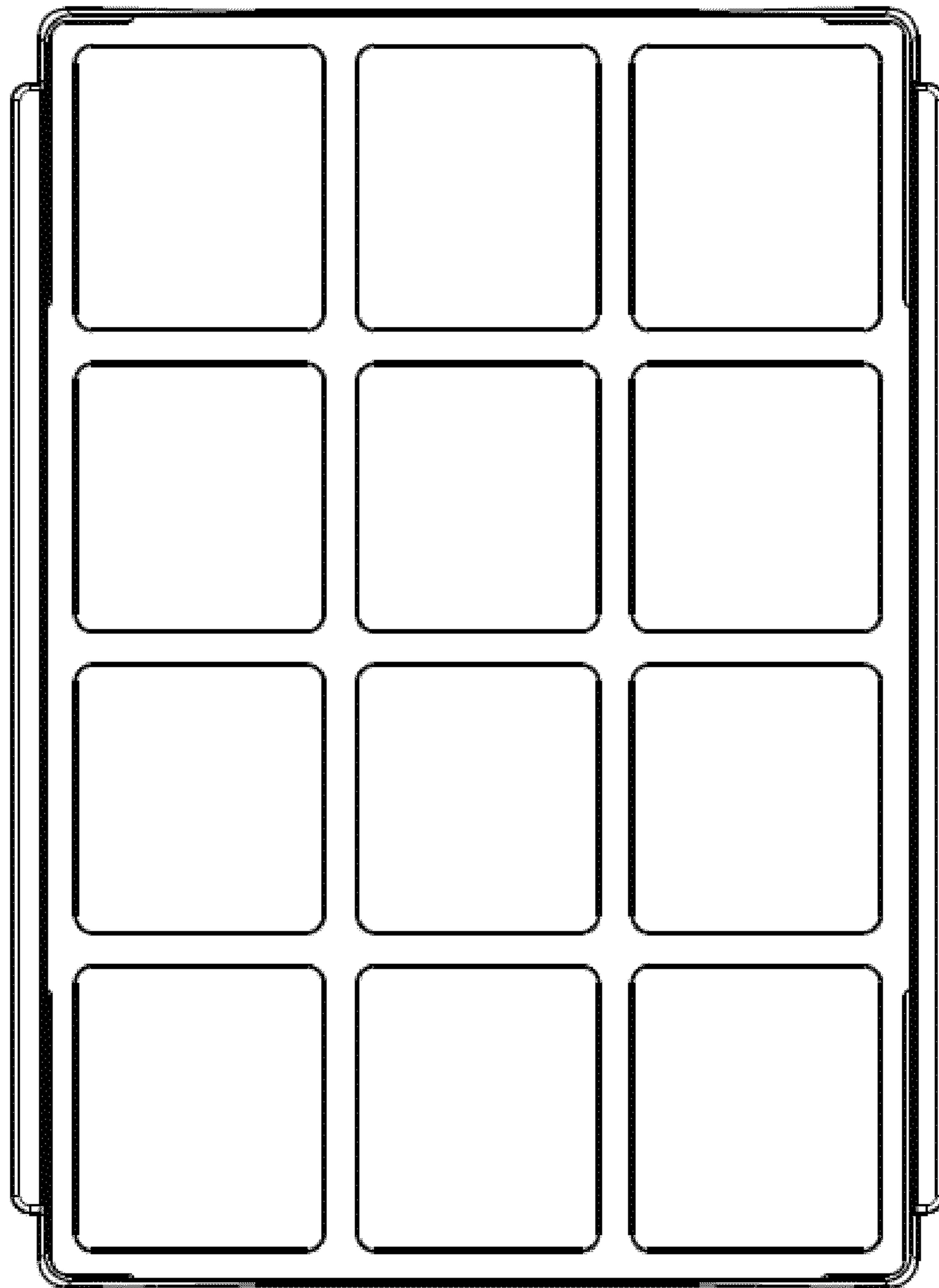


FIGURE 7

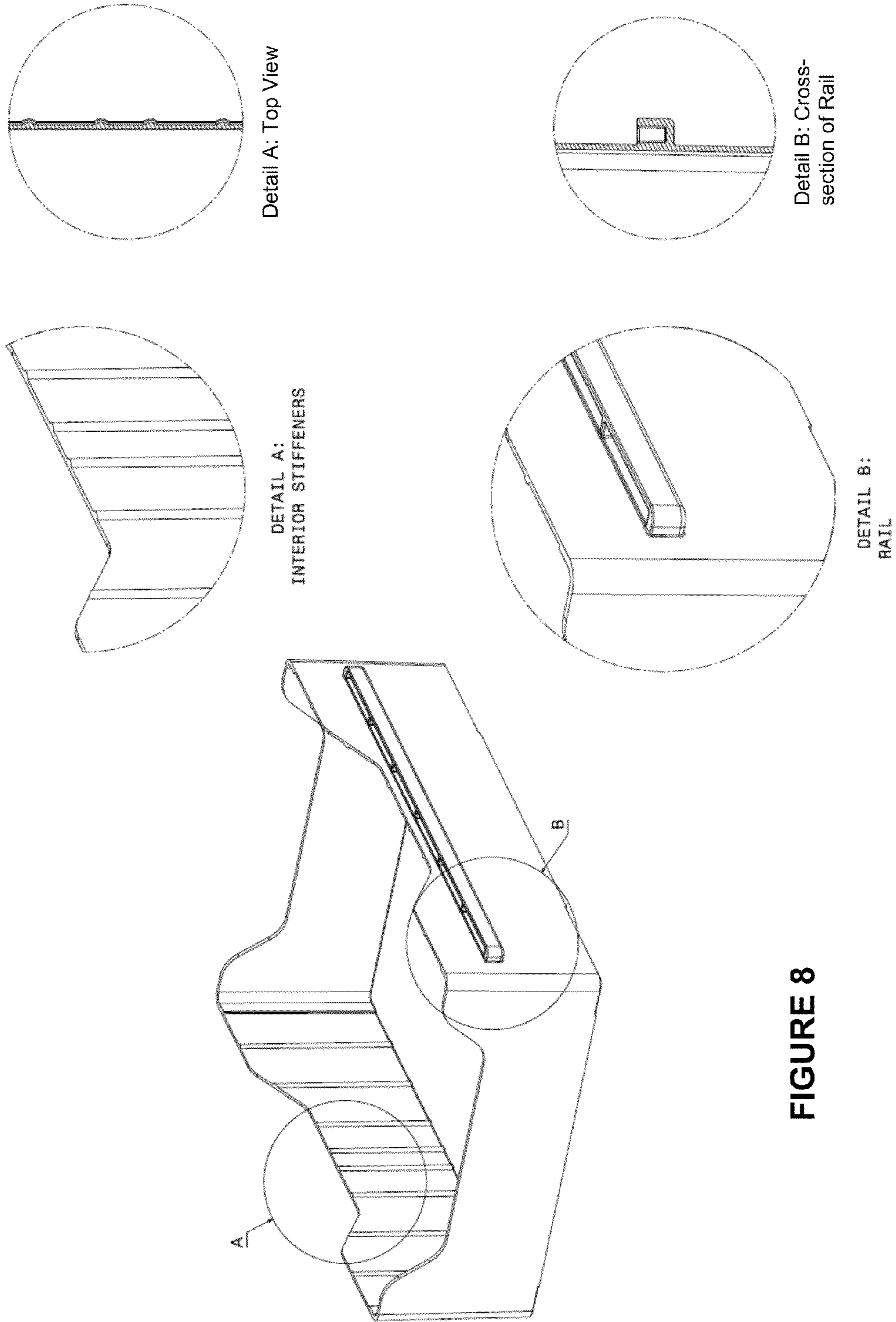


FIGURE 8



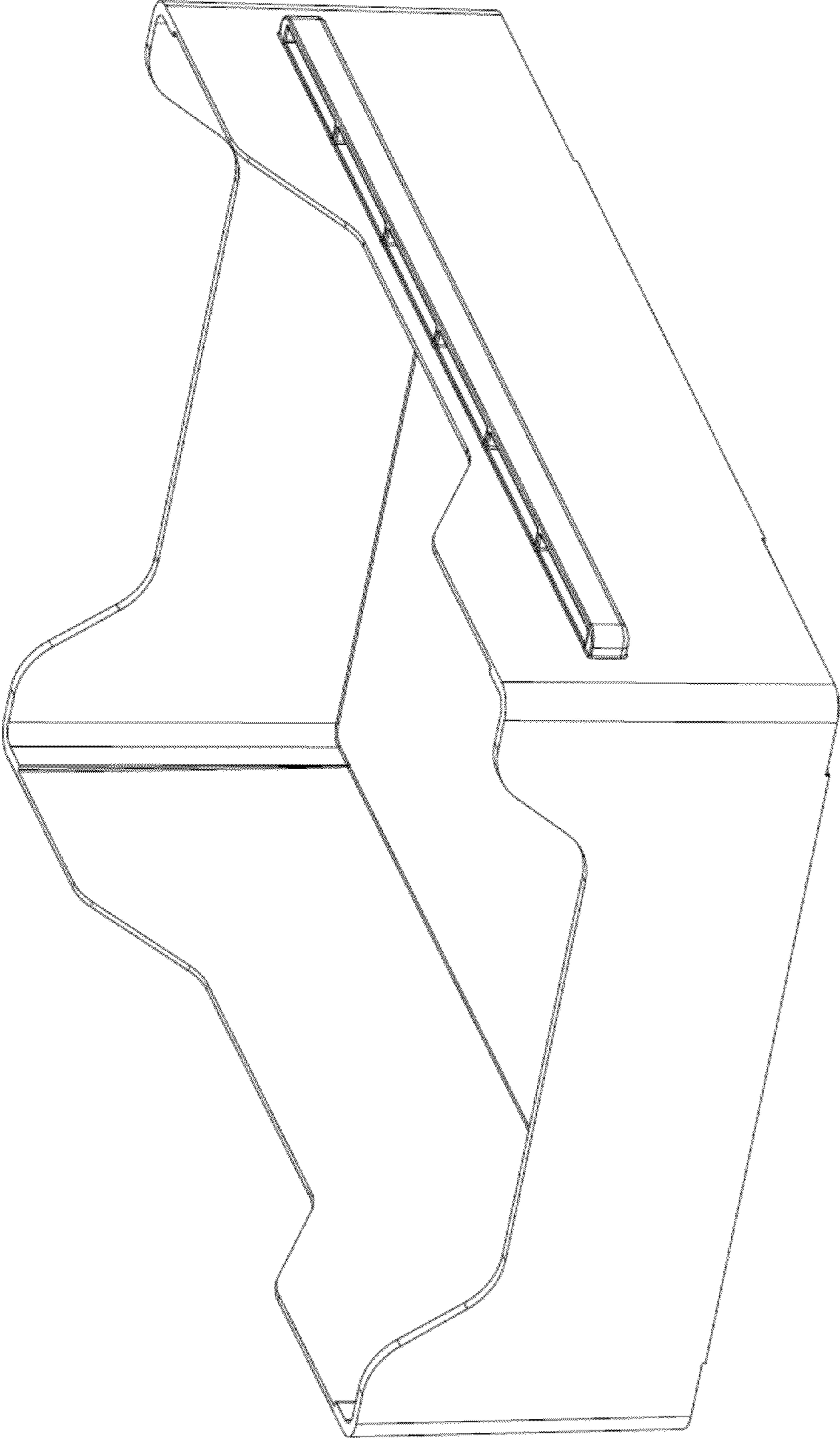


FIGURE 9

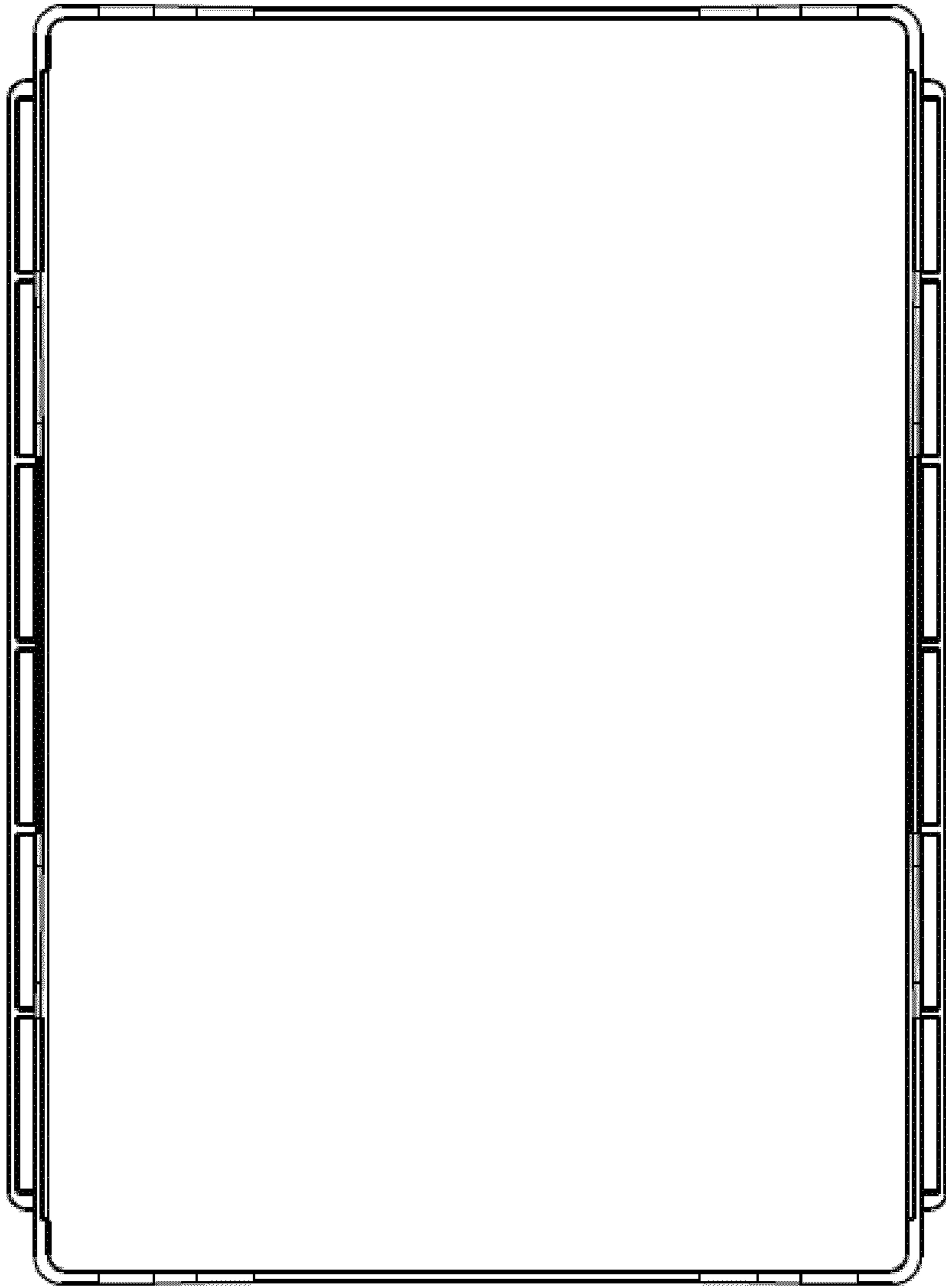


FIGURE 10

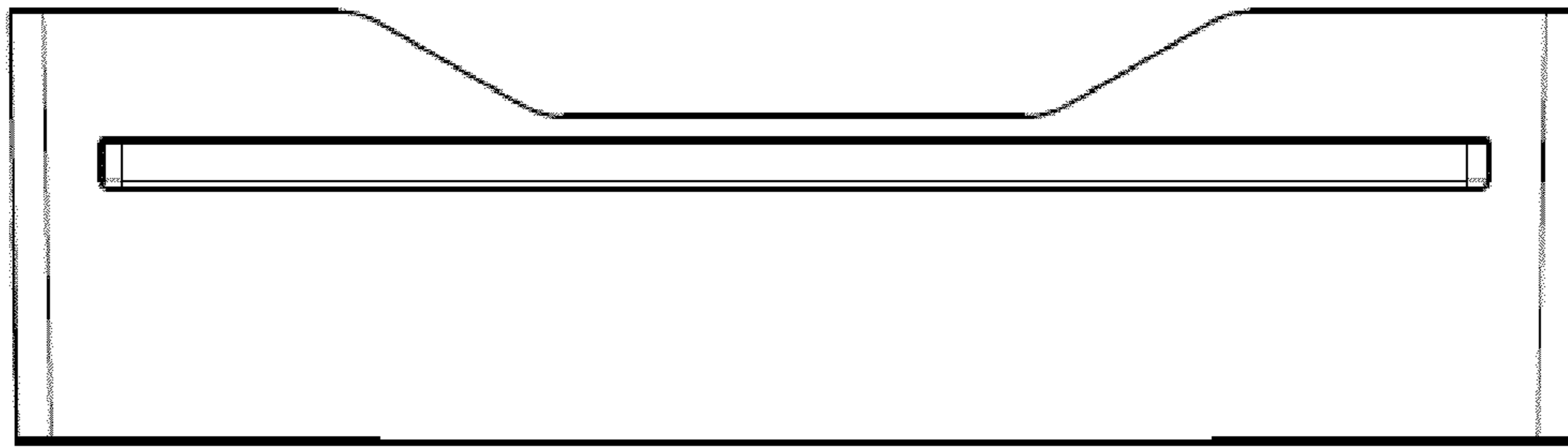


FIGURE 11

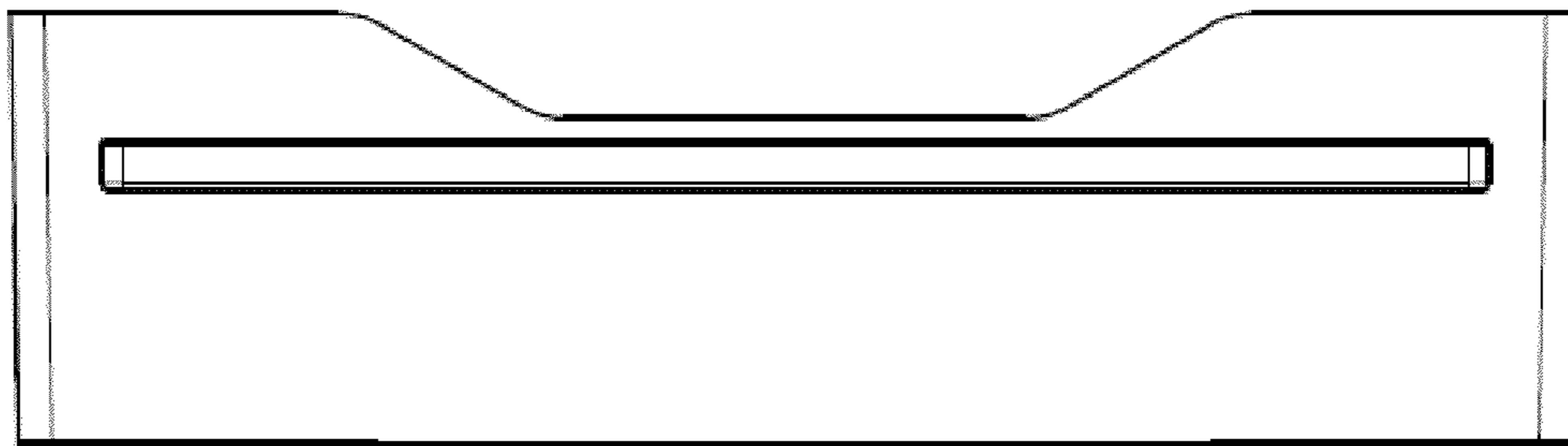


FIGURE 12

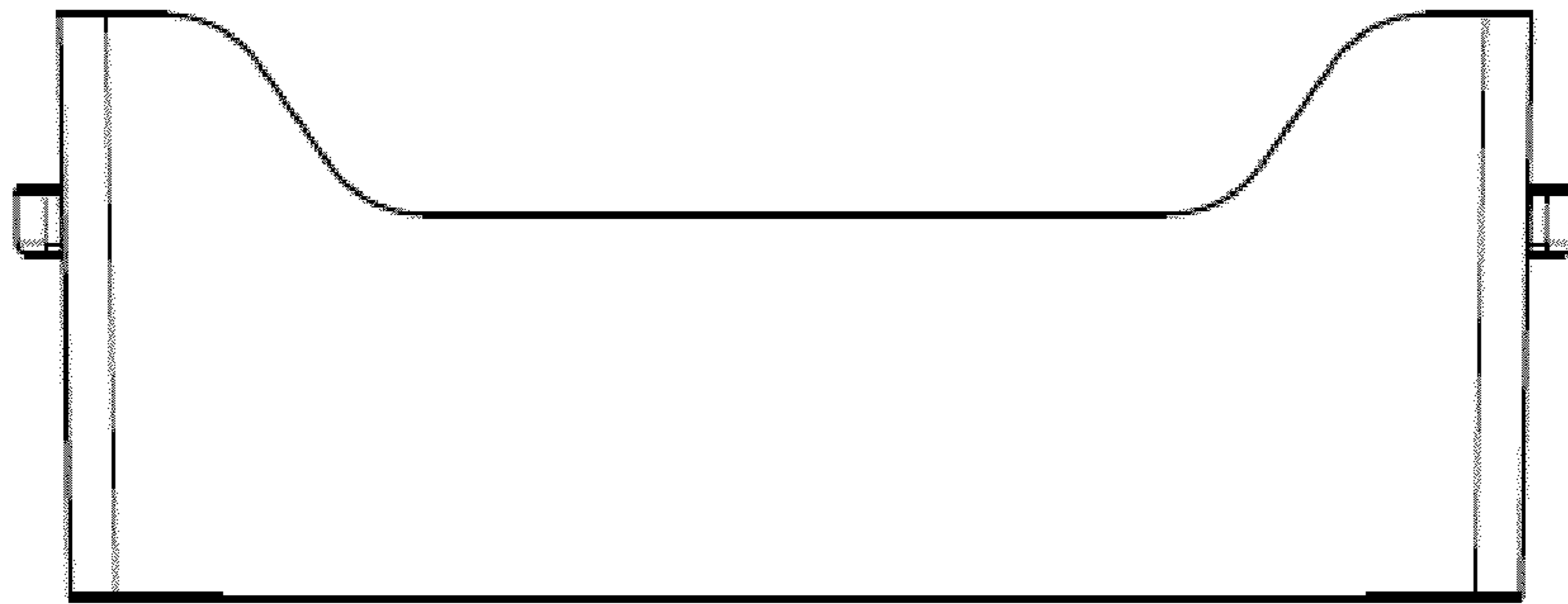


FIGURE 13



FIGURE 14

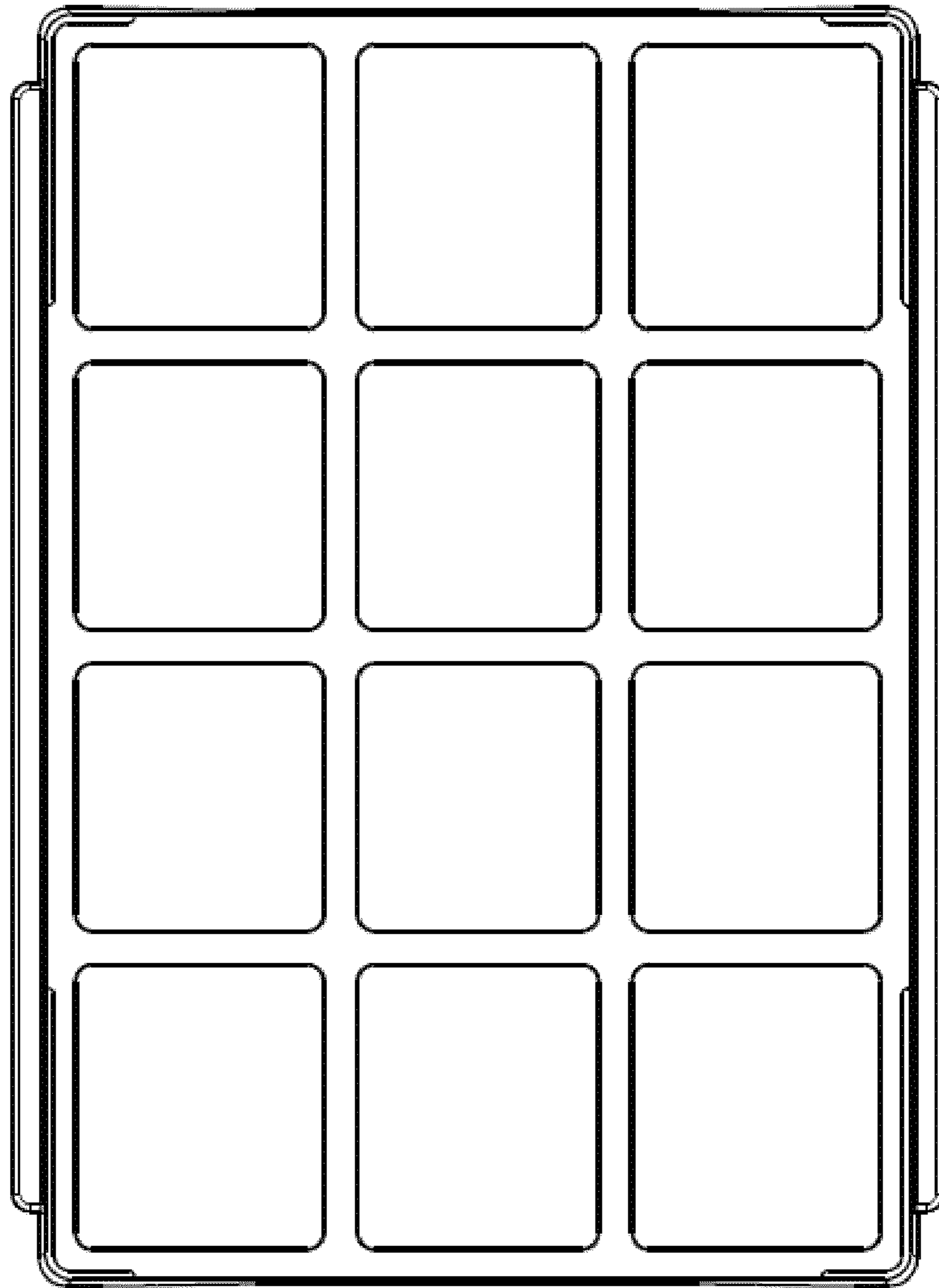


FIGURE 15

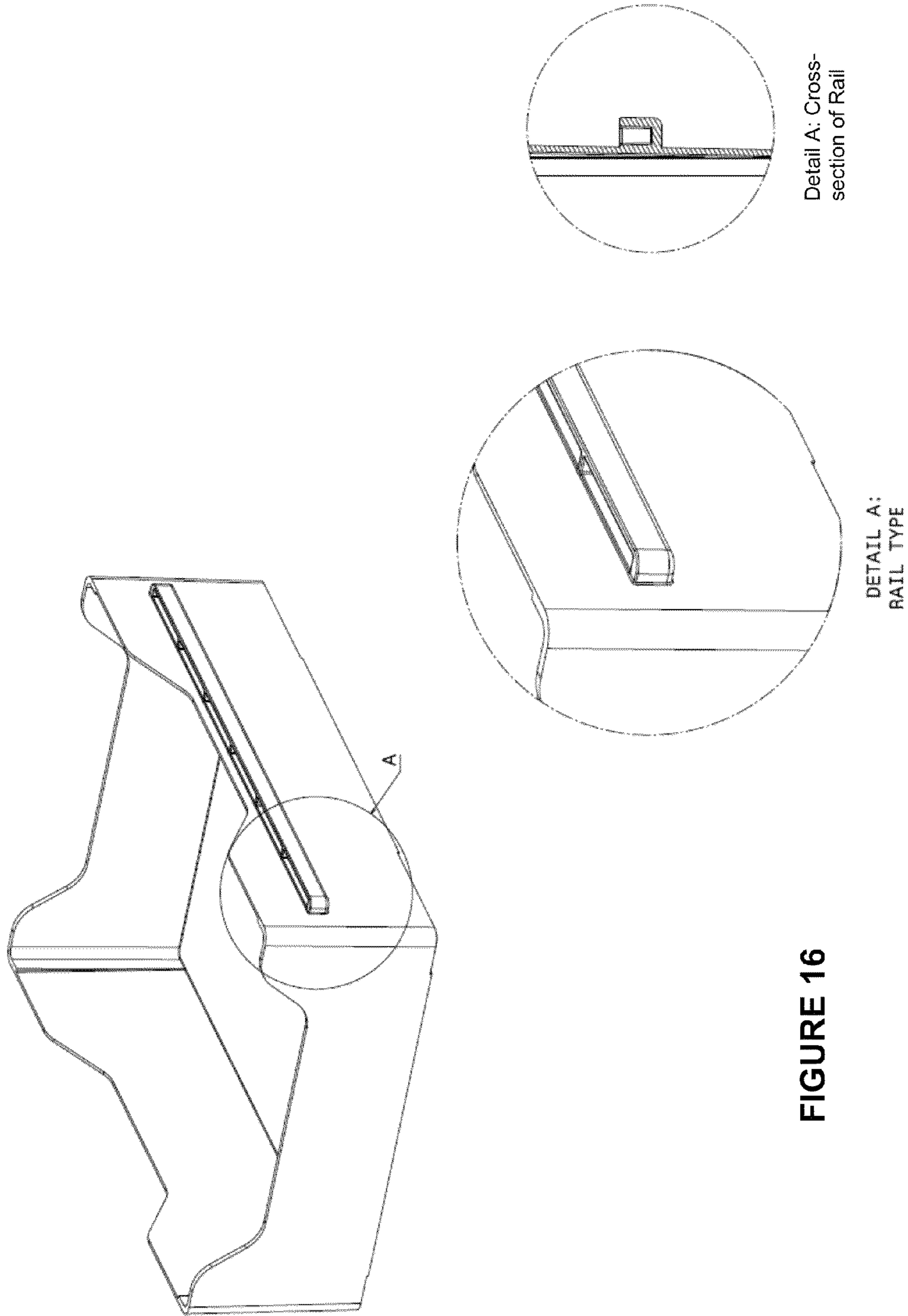


FIGURE 16