

US00D692702S

(12) **United States Design Patent**  
**Miller**

(10) **Patent No.:** **US D692,702 S**  
(45) **Date of Patent:** **\*\* Nov. 5, 2013**

(54) **BEDRAIL AND TRAY**  
(75) Inventor: **F. Troy Miller**, Logan, UT (US)  
(73) Assignee: **Stander Inc.**, Logan, UT (US)  
(\*\*) Term: **14 Years**  
(21) Appl. No.: **29/427,431**

4,724,559 A 2/1988 Bly et al.  
D295,348 S 4/1988 Muller  
D296,851 S \* 7/1988 Kelley ..... D6/420  
5,359,741 A 11/1994 Lang  
D353,926 S \* 12/1994 Aguilar et al. .... D34/21  
5,374,019 A 12/1994 Fischer  
5,400,450 A 3/1995 Leoutsakos  
5,425,148 A 6/1995 Ashcraft et al.  
5,448,791 A 9/1995 Brown

(Continued)

(22) Filed: **Jul. 18, 2012**  
(51) **LOC (9) Cl.** ..... **06-06**  
(52) **U.S. Cl.**  
USPC ..... **D6/677.3**  
(58) **Field of Classification Search**  
USPC ..... D6/396-397, 406.1-406.6, 449, 451,  
D6/454, 509-511, 672-673, 677.3;  
D7/552.1, 552.2, 554.1, 554.4, 550.1,  
D7/554.2; 211/133.1, 85.31, 126.8, 126;  
108/157.1, 157.13; D14/458  
See application file for complete search history.

FOREIGN PATENT DOCUMENTS

FR 2790651 9/2000  
JP 2000245540 9/2000  
JP 2002045268 2/2002

OTHER PUBLICATIONS

Standers, Inc., 'Empowering The World to Its Feet', CouchCane Web advertisement Oct. 2006. <http://web.archive.org/web/20050407230811/stander.com/web/couchcane.htm>.

*Primary Examiner* — Kelley Donnelly

(74) *Attorney, Agent, or Firm* — Stoel Rives LLP

(56) **References Cited**  
U.S. PATENT DOCUMENTS

(57) **CLAIM**

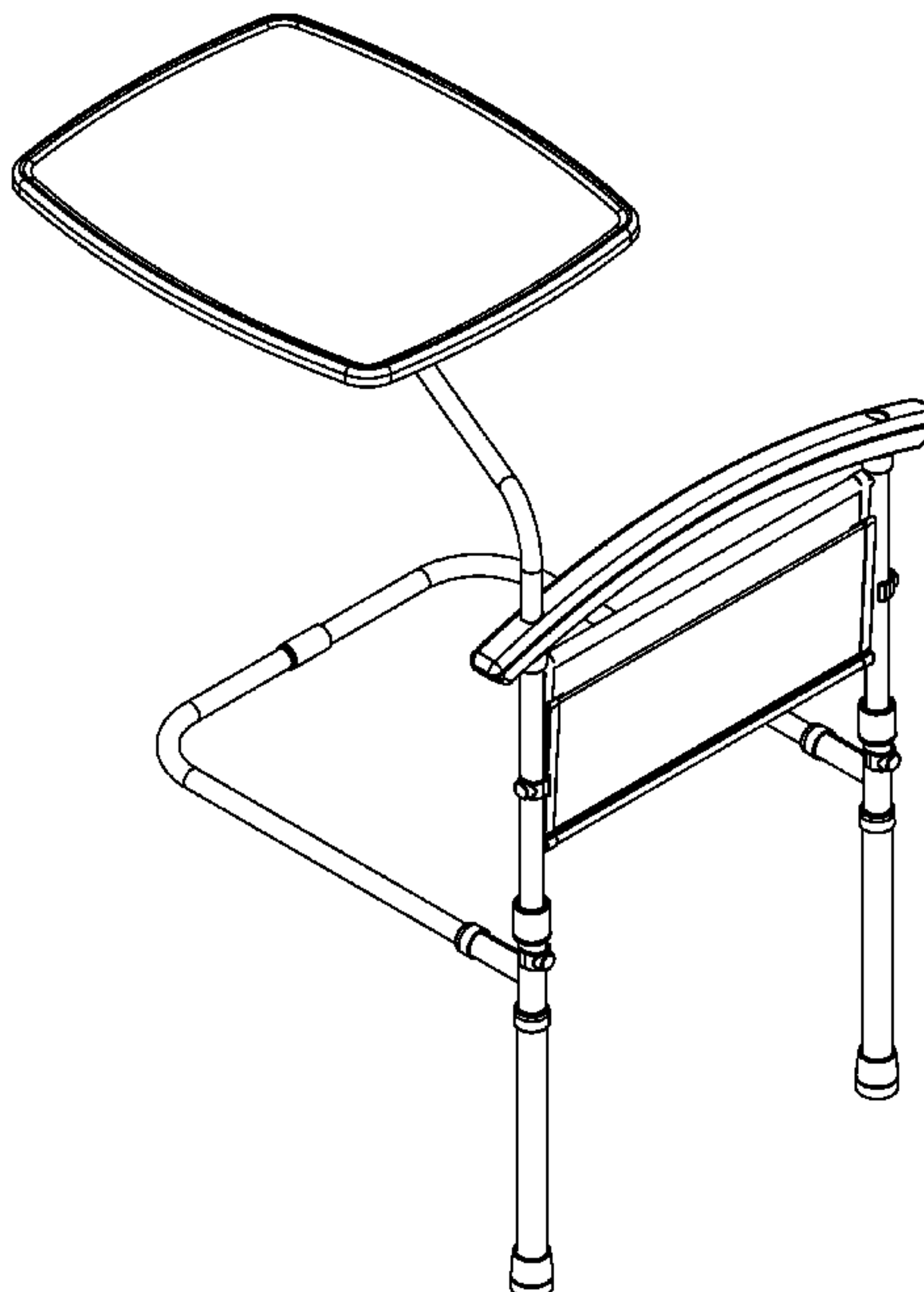
The ornamental design for a bedrail and tray, as shown and described.

541,339 A 6/1895 Thompson  
1,347,271 A 7/1920 Hartman  
1,862,237 A 6/1932 Pepler  
2,605,155 A 7/1952 Lewis  
2,612,422 A 9/1952 Sarkus  
2,709,818 A 6/1955 Freese  
3,259,923 A 7/1966 Batteram  
3,564,627 A 2/1971 Allard et al.  
3,866,251 A 2/1975 Pounds  
4,077,333 A 3/1978 Ballas  
D261,837 S 11/1981 Sonder et al.  
D292,956 S 12/1987 Inoue et al.  
4,715,573 A \* 12/1987 Liegel ..... 248/129  
4,724,555 A 2/1988 Poehner et al.

**DESCRIPTION**

FIG. 1 is a perspective view of a bedrail and tray.  
FIG. 2 is a front view of the bedrail and tray of FIG. 1.  
FIG. 3 is right side view of the bedrail and tray of FIG. 1.  
FIG. 4 is left side view of the bedrail and tray of FIG. 1.  
FIG. 5 is a rear view of the bedrail and tray of FIG. 1.  
FIG. 6 is a bottom view of the bedrail and tray of FIG. 1; and,  
FIG. 7 is a top view of the bedrail and tray of FIG. 1.

**1 Claim, 7 Drawing Sheets**



(56)

References Cited

U.S. PATENT DOCUMENTS

5,507,044 A 4/1996 Williamson et al.  
 D375,641 S 11/1996 Dhanapal et al.  
 5,586,352 A 12/1996 O'Brien et al.  
 5,746,334 A 5/1998 Brandenburg  
 5,787,530 A 8/1998 Brix  
 5,881,406 A 3/1999 Cobb  
 D418,997 S 1/2000 Leveen et al.  
 D428,732 S \* 8/2000 Roddan ..... D6/431  
 6,138,301 A 10/2000 Battiston  
 6,224,026 B1 5/2001 Dubois  
 6,240,856 B1 6/2001 Paskey et al.  
 6,311,942 B1 11/2001 Rotler et al.  
 6,401,280 B1 6/2002 Baker  
 D467,754 S 12/2002 Chen  
 6,615,744 B1 \* 9/2003 Eckstein et al. .... 108/147.2  
 6,688,634 B2 \* 2/2004 Noffsinger ..... 280/651  
 D501,336 S \* 2/2005 Lin ..... D6/429  
 D543,722 S \* 6/2007 Cookson ..... D6/406.2

D548,496 S \* 8/2007 Samtani ..... D6/486  
 D581,704 S \* 12/2008 Hwang ..... D6/486  
 D588,829 S 3/2009 Rheault et al.  
 7,540,243 B2 \* 6/2009 George et al. .... 108/50.01  
 D612,169 S \* 3/2010 Chang ..... D6/429  
 D619,264 S \* 7/2010 Livengood et al. .... D24/185  
 D627,178 S \* 11/2010 Adams et al. .... D6/484  
 D632,796 S \* 2/2011 Ross et al. .... D24/185  
 D638,637 S \* 5/2011 Foley ..... D6/429  
 D640,486 S \* 6/2011 Saelid ..... D6/486  
 8,100,061 B2 \* 1/2012 Hookway et al. .... 108/50.01  
 D656,760 S \* 4/2012 Fox ..... D6/499  
 8,316,777 B1 \* 11/2012 Rosing ..... 108/49  
 D676,689 S \* 2/2013 Matsushita et al. .... D6/691  
 D683,557 S \* 6/2013 Block, Jr. .... D6/708.16  
 2005/0132935 A1 \* 6/2005 Lahmann et al. .... 108/49  
 2006/0180054 A1 \* 8/2006 George et al. .... 108/50.11  
 2007/0234934 A1 10/2007 Branch et al.  
 2008/0121150 A1 \* 5/2008 Picchio ..... 108/147.19  
 2009/0307843 A1 \* 12/2009 Hookway et al. .... 5/425

\* cited by examiner

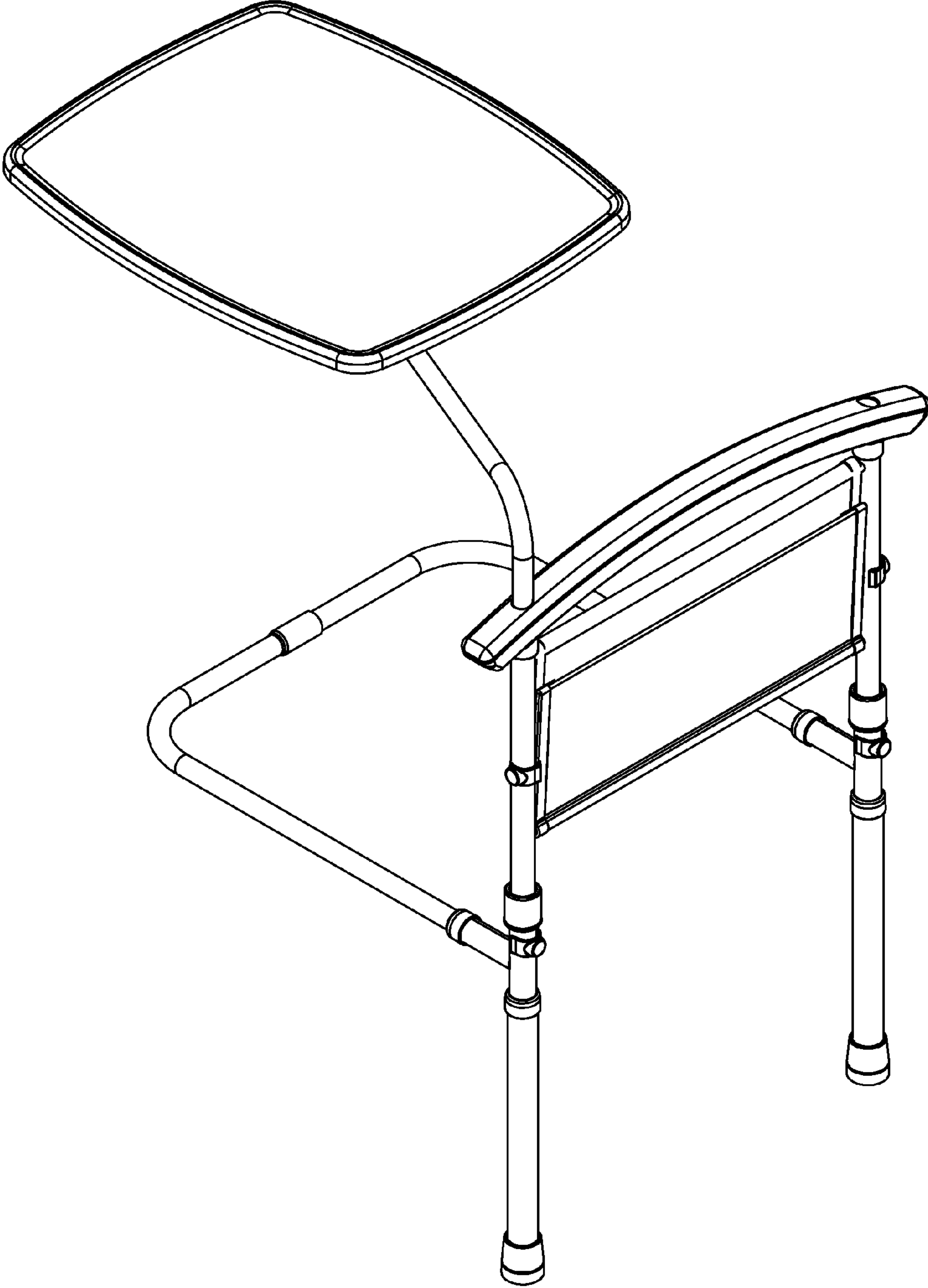


FIG. 1

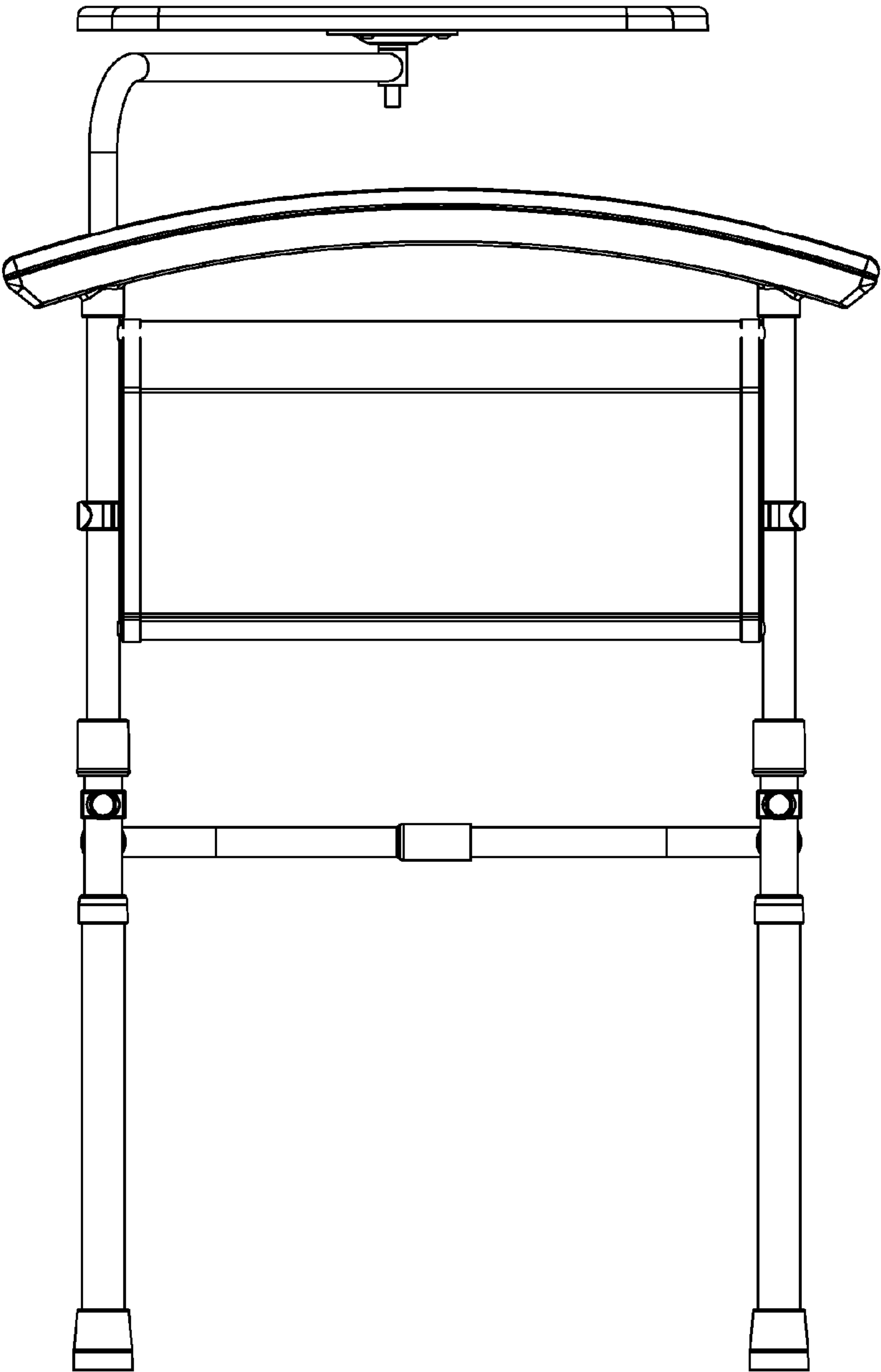


FIG. 2

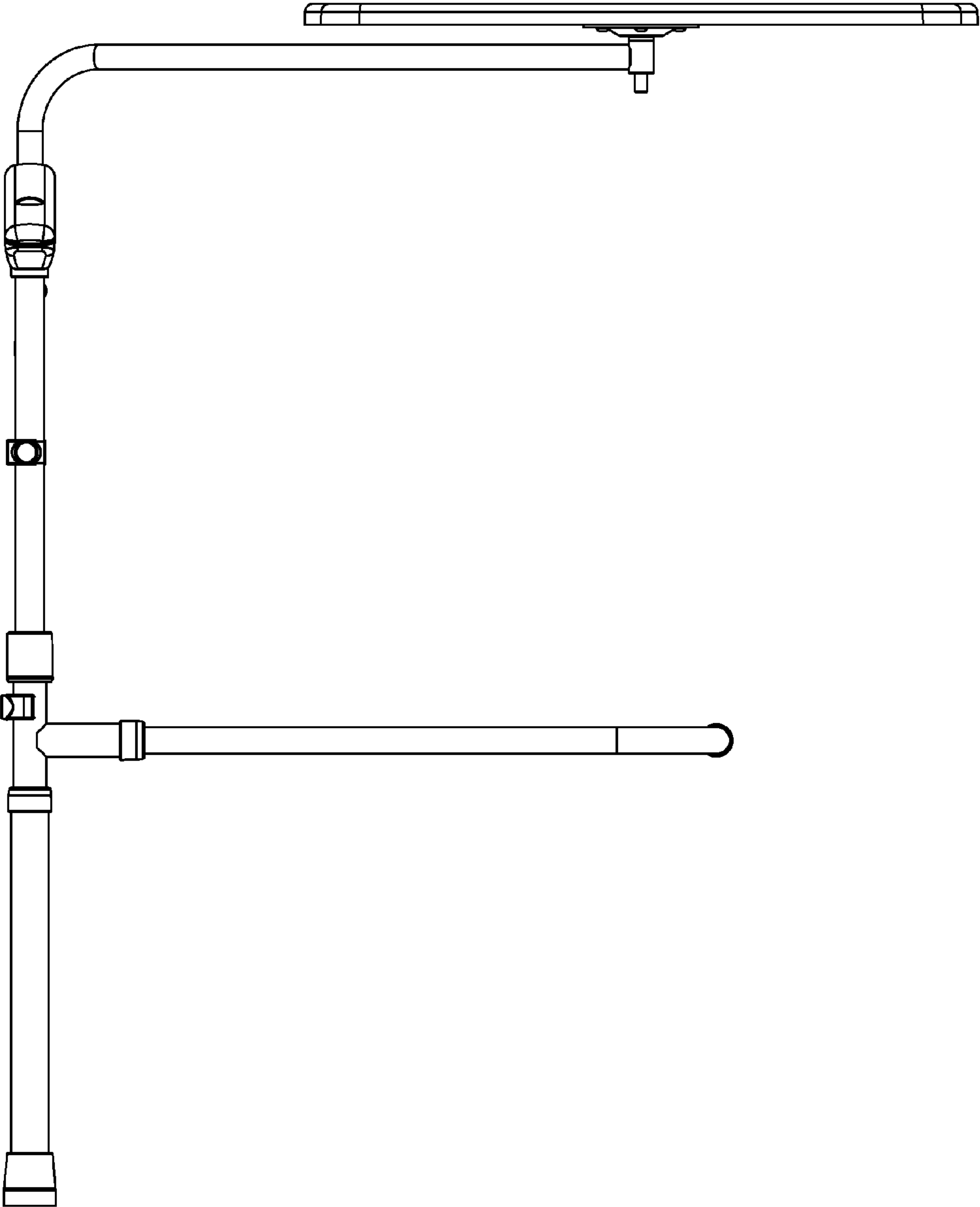


FIG. 3

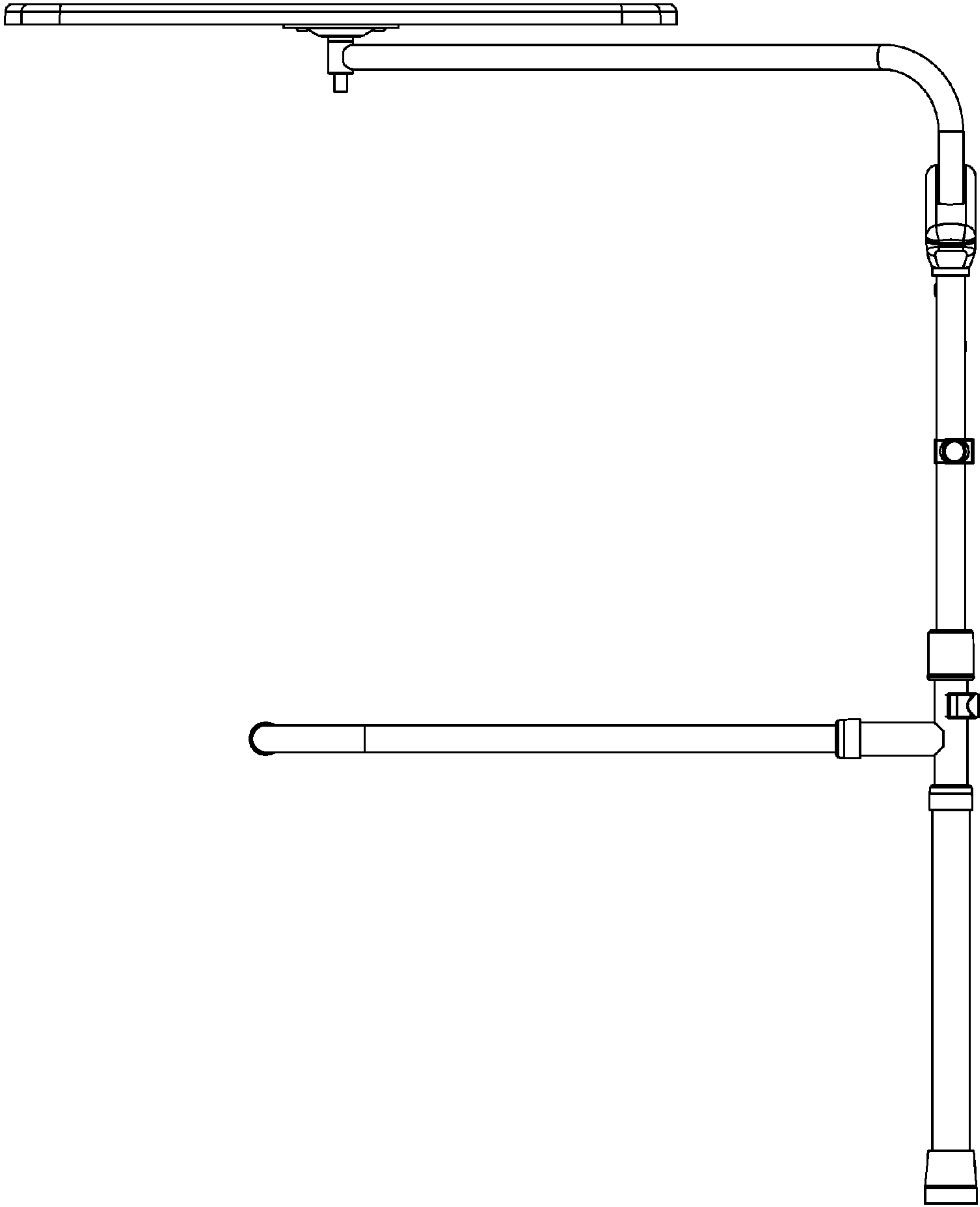


FIG. 4

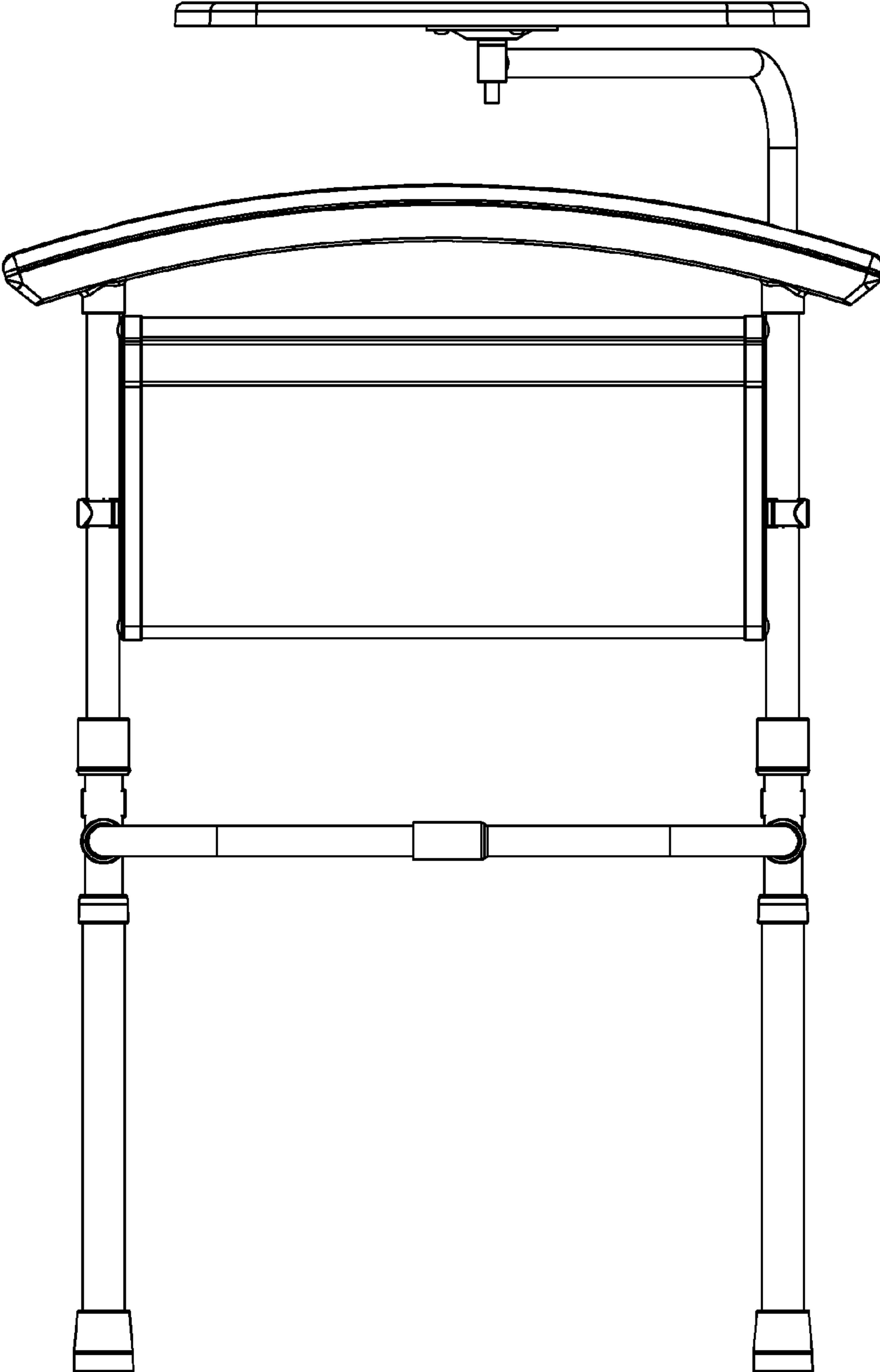


FIG. 5

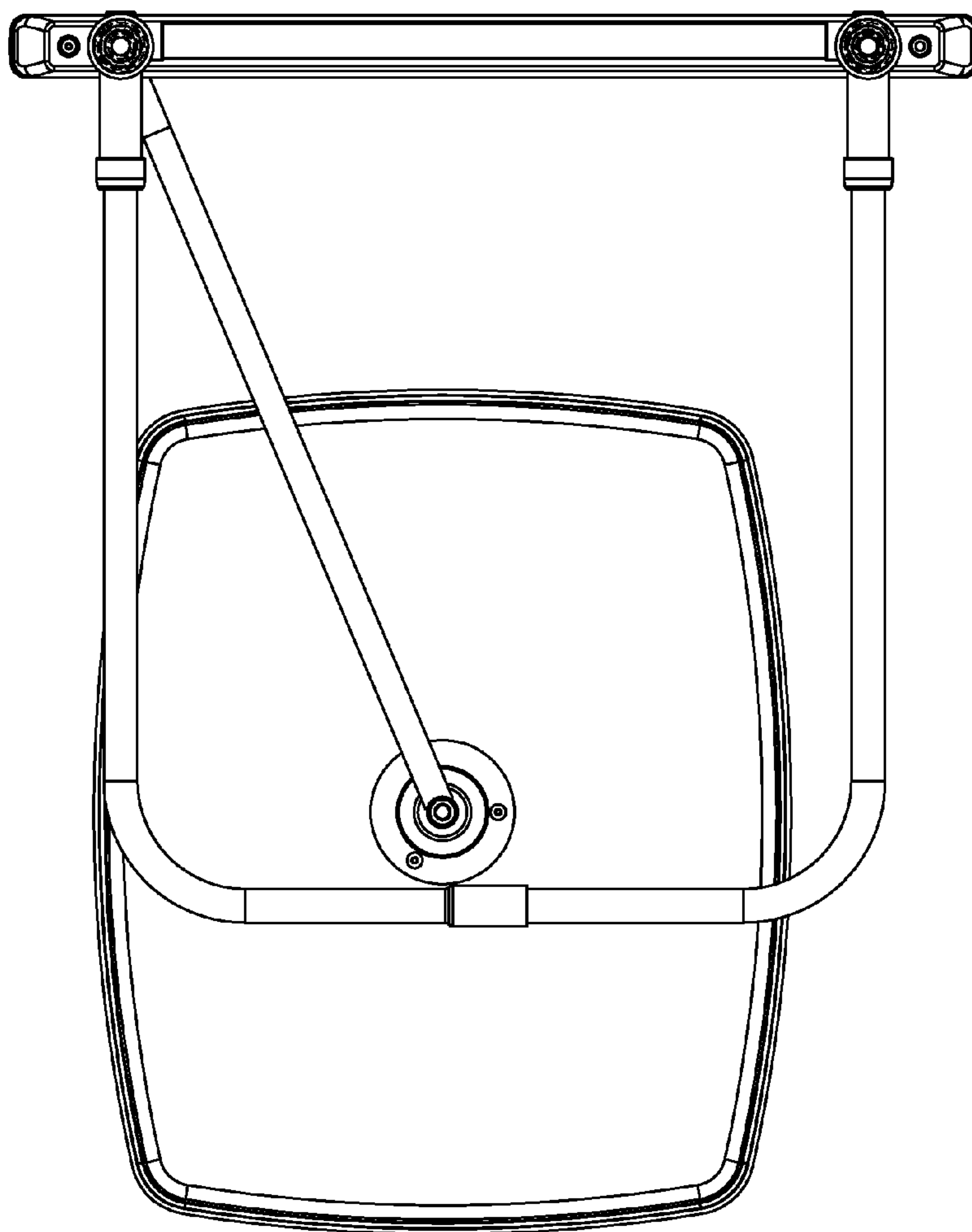


FIG. 6



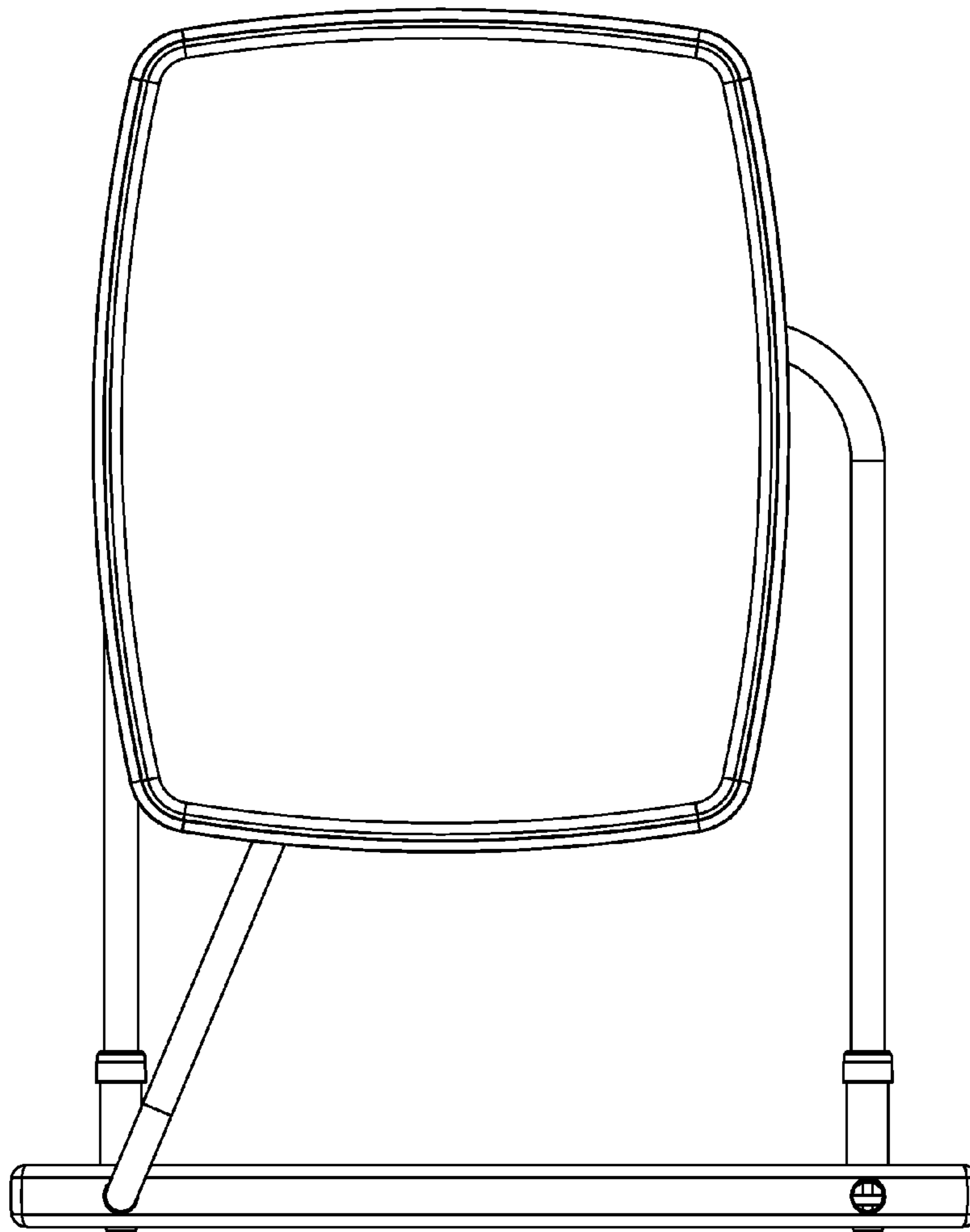


FIG. 7