



US00D692701S

(12) **United States Design Patent**  
**Peggs**

(10) **Patent No.:** **US D692,701 S**  
(45) **Date of Patent:** **\*\* Nov. 5, 2013**

(54) **DOUBLE RACK**

(71) Applicant: **Johnny L Peggs**, San Dimas, CA (US)

(72) Inventor: **Johnny L Peggs**, San Dimas, CA (US)

(\*\*) Term: **14 Years**

(21) Appl. No.: **29/458,599**

(22) Filed: **Jun. 20, 2013**

(51) **LOC (9) Cl.** ..... **06-06**

(52) **U.S. Cl.**  
USPC ..... **D6/675.1**

(58) **Field of Classification Search**  
USPC ..... D6/449-450, 470-472, 474-476,  
D6/477-479, 490-491, 509-511,  
D6/675-675.2; 108/107-108; 312/107,  
312/117, 59.4, 134, 69, 186-192  
See application file for complete search history.

(56) **References Cited**

**U.S. PATENT DOCUMENTS**

493,896 A	3/1893	Pierce	
2,035,935 A	1/1935	Allen	
D245,738 S *	9/1977	Latanzi	D6/408
4,998,629 A	3/1991	Cheng	
D394,360 S *	5/1998	Geier et al.	D6/414
D398,462 S *	9/1998	Baluk et al.	D6/476
D406,476 S *	3/1999	Boije	D6/436
D418,349 S	1/2000	Schumacher	
D424,836 S	5/2000	Kopala, Jr.	
D516,845 S *	3/2006	Lenger	D6/509
D520,265 S *	5/2006	Sparkowski	D6/465

D573,369 S *	7/2008	Sparkowski	D6/463
D591,531 S *	5/2009	Sparkowski	D6/464
D598,220 S *	8/2009	Sparkowski	D6/464
D608,115 S *	1/2010	Trinh et al.	D6/477
D626,762 S *	11/2010	Primiano	D6/459
D655,108 S *	3/2012	Majrani	D6/479
D661,922 S *	6/2012	Mitri	D6/436
D671,779 S	12/2012	Kozak et al.	
D672,992 S	12/2012	Kozak et al.	
D677,092 S	3/2013	Kozak et al.	
D680,350 S *	4/2013	Peake-Atkins et al.	D6/662.1
D683,160 S	5/2013	Williams et al.	
D687,243 S *	8/2013	Kikkert et al.	D6/672

\* cited by examiner

*Primary Examiner* — Kelley Donnelly

(74) *Attorney, Agent, or Firm* — Kirk A. Buhler; Buhler & Associates

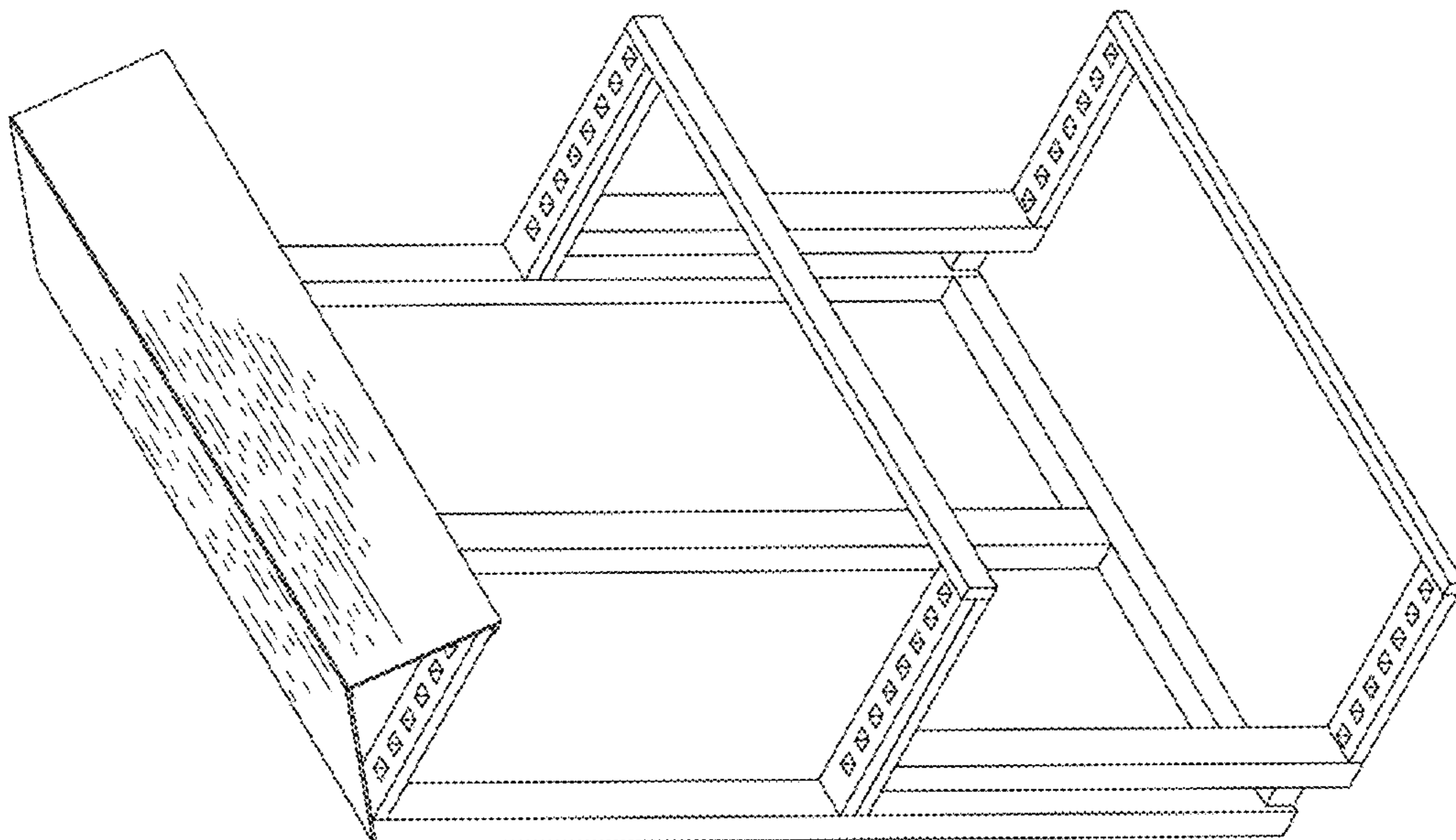
(57) **CLAIM**

The ornamental design for a double rack, as shown and described.

**DESCRIPTION**

FIG. 1 is a top perspective view for a double rack showing my new design;  
FIG. 2 is a front side view thereof;  
FIG. 3 is a back side view thereof;  
FIG. 4 is a top side view thereof;  
FIG. 5 is a right side view thereof;  
FIG. 6 is a bottom side view thereof;  
FIG. 7 is a left side view thereof;  
FIG. 8 is an upper rear perspective view; and,  
FIG. 9 is a lower front perspective view.

**1 Claim, 5 Drawing Sheets**



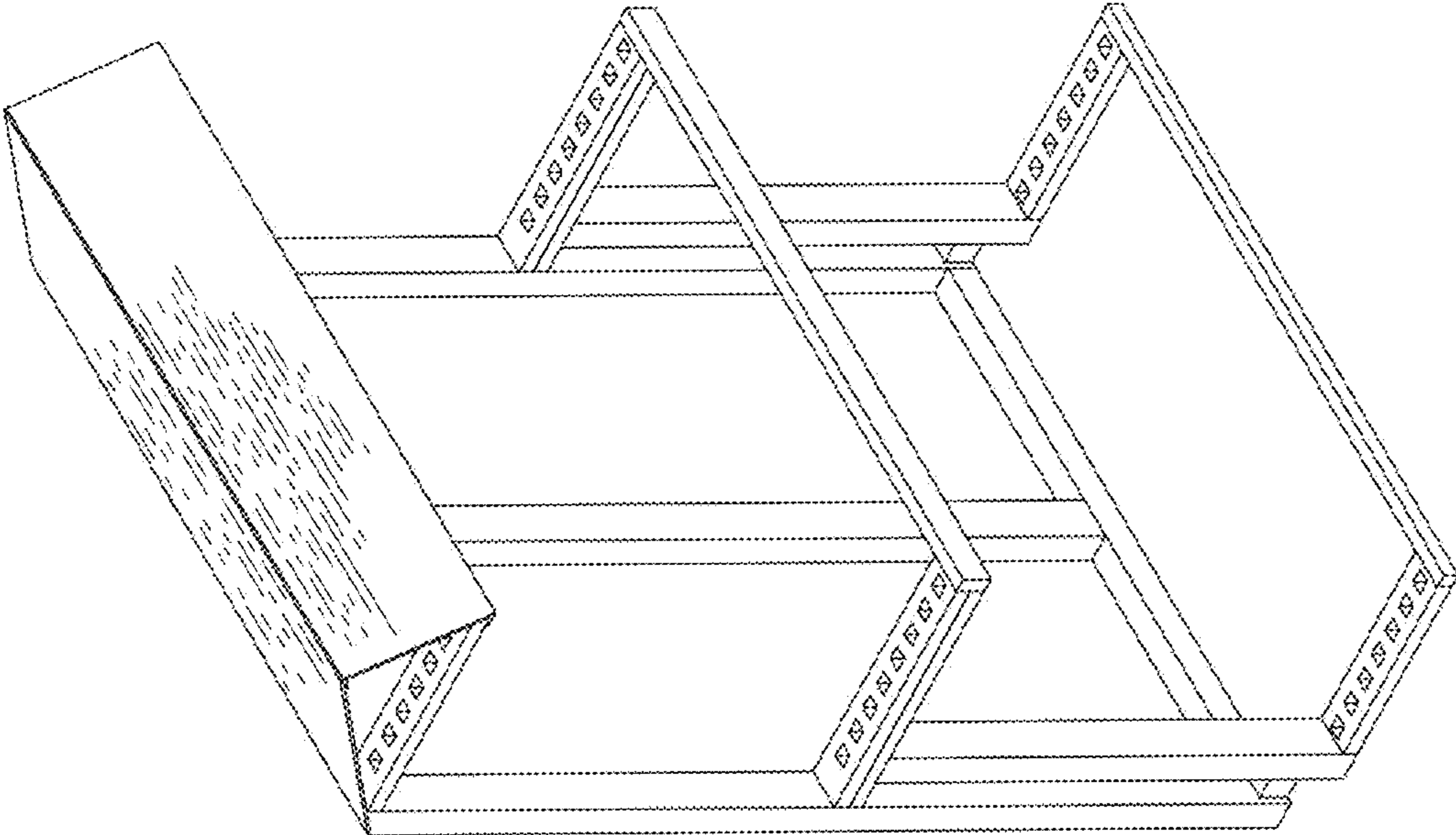


FIG. 1

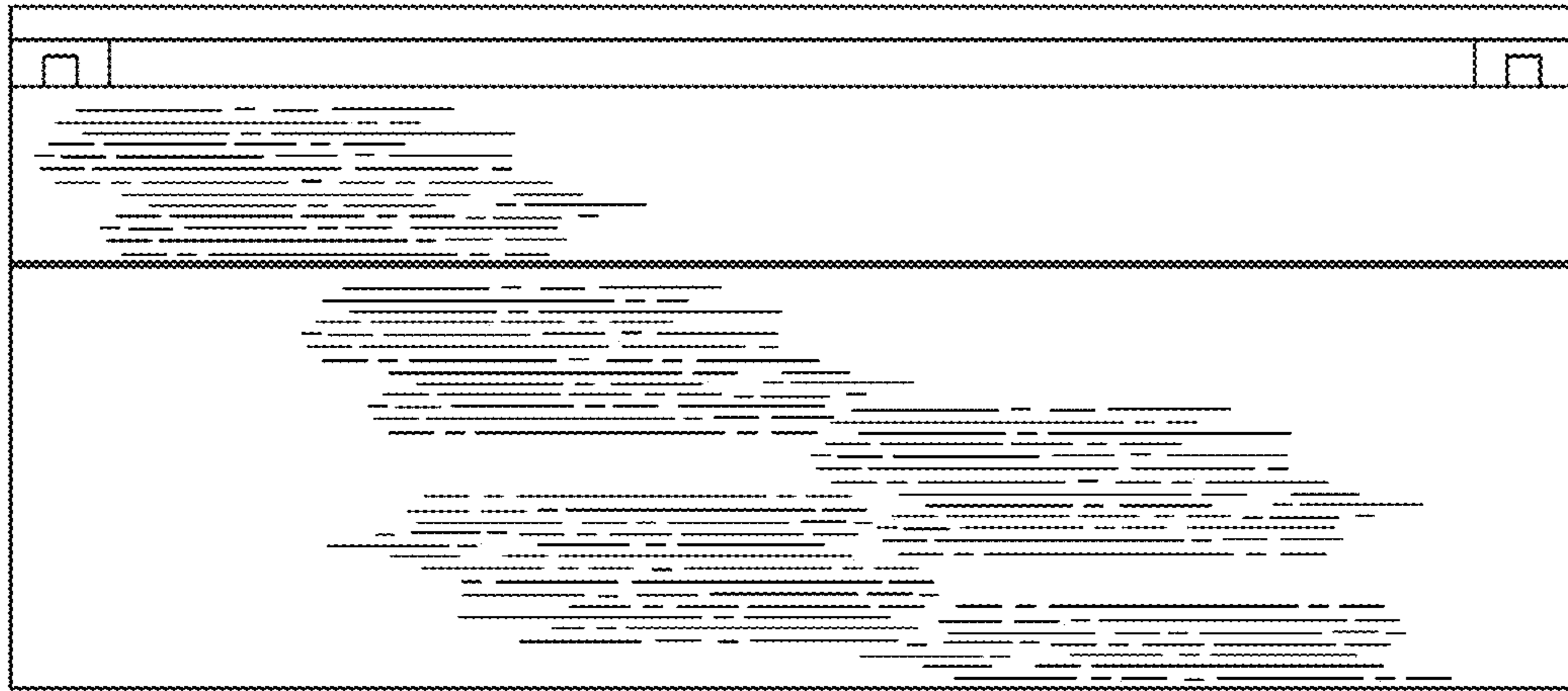


FIG. 2

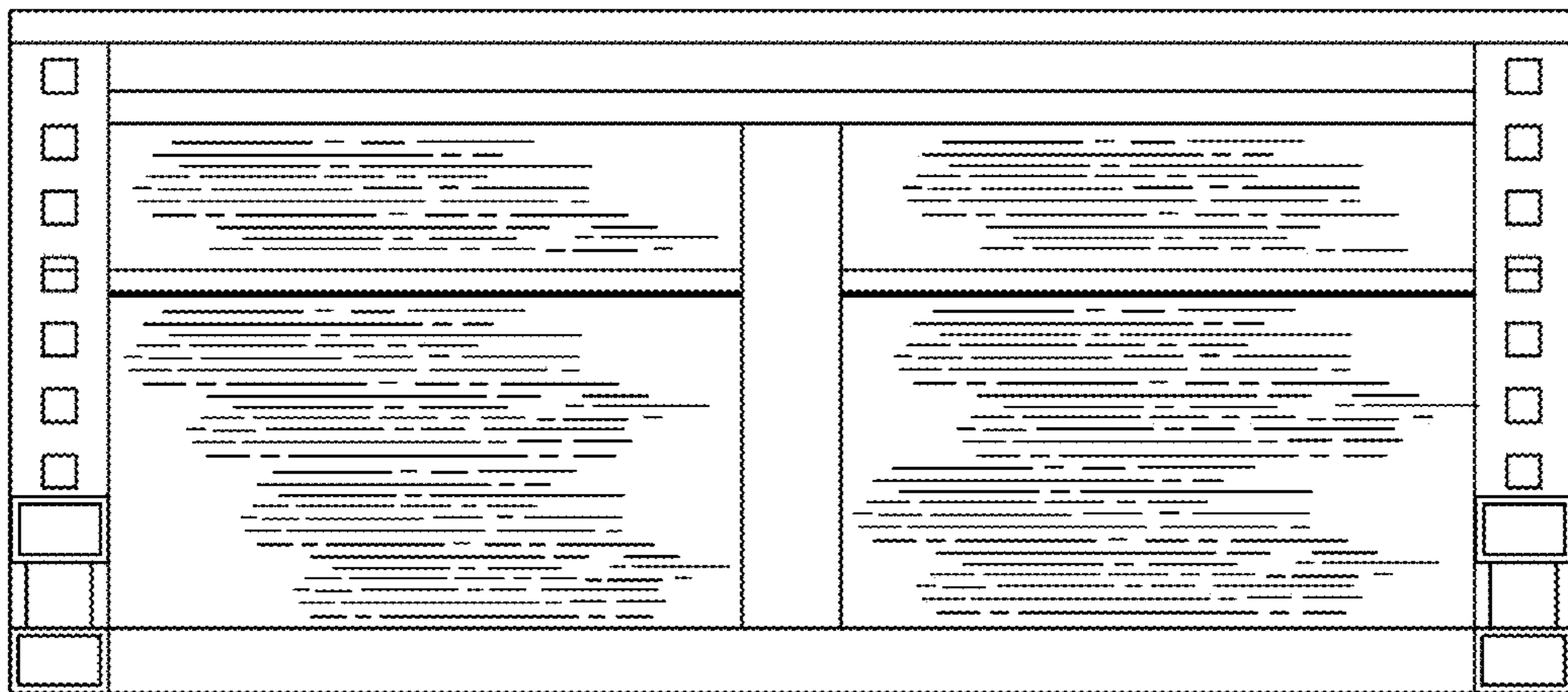


FIG. 3

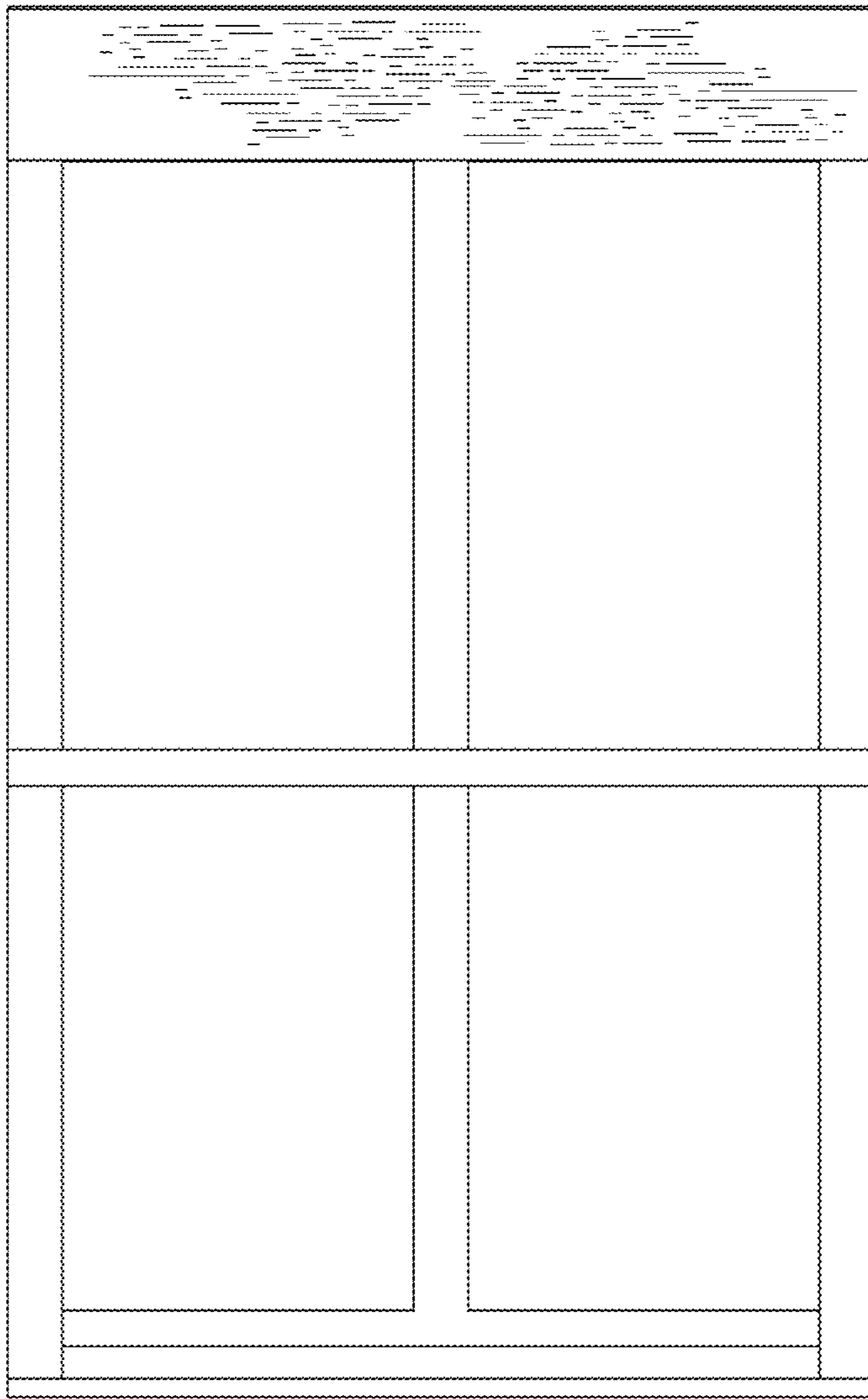


FIG. 4

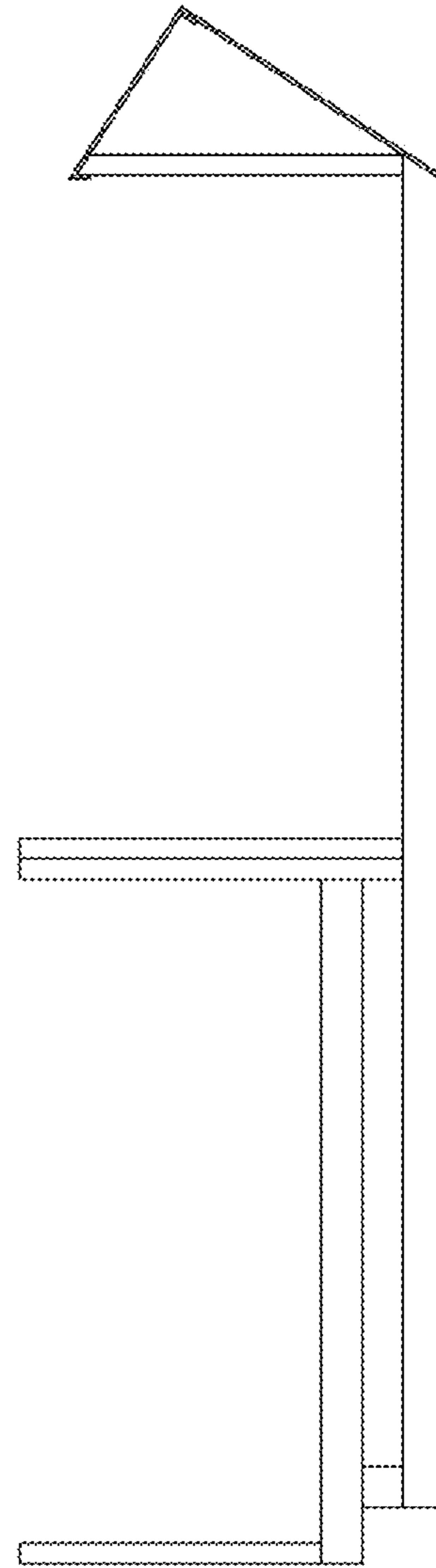


FIG. 5

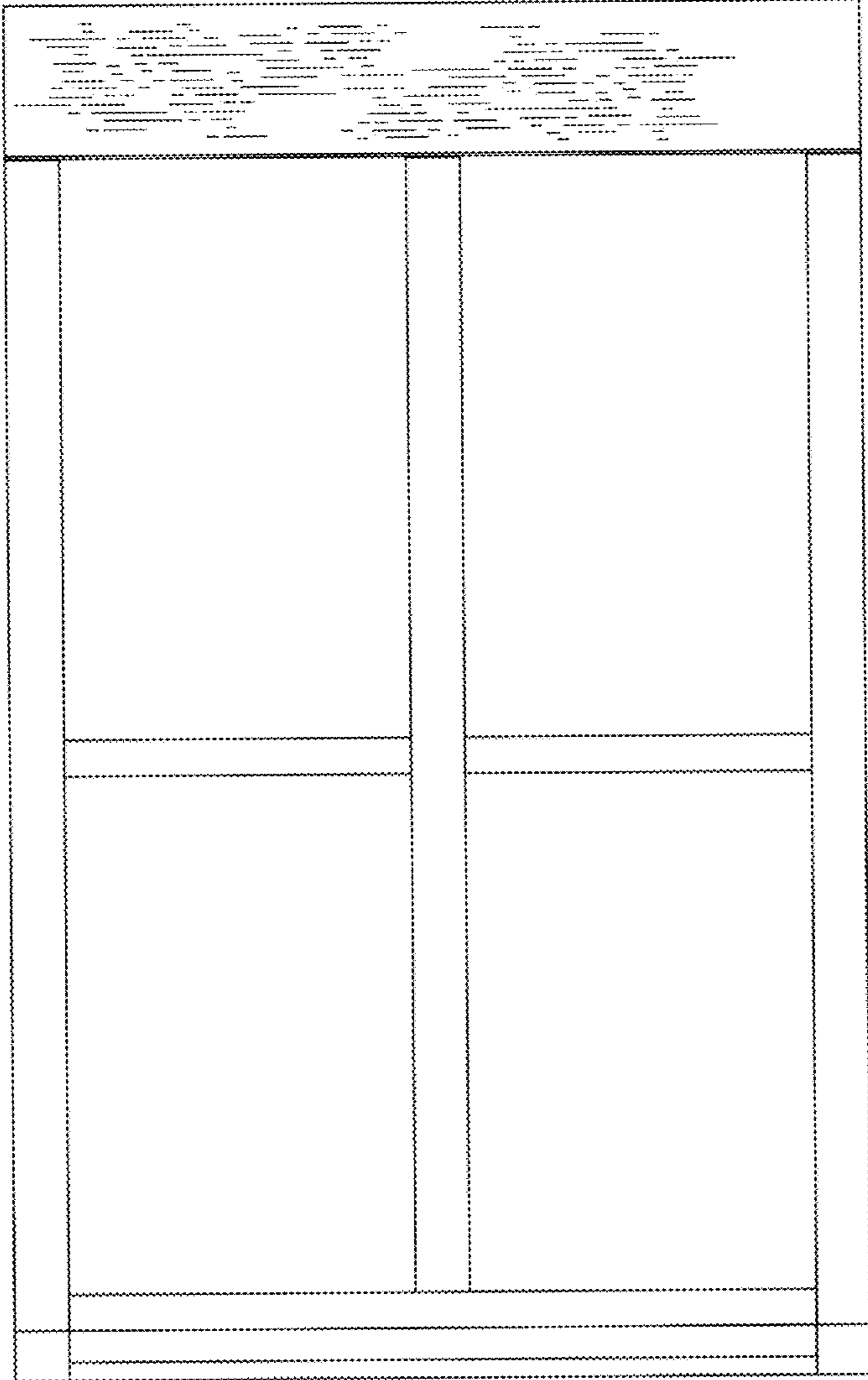


FIG. 6

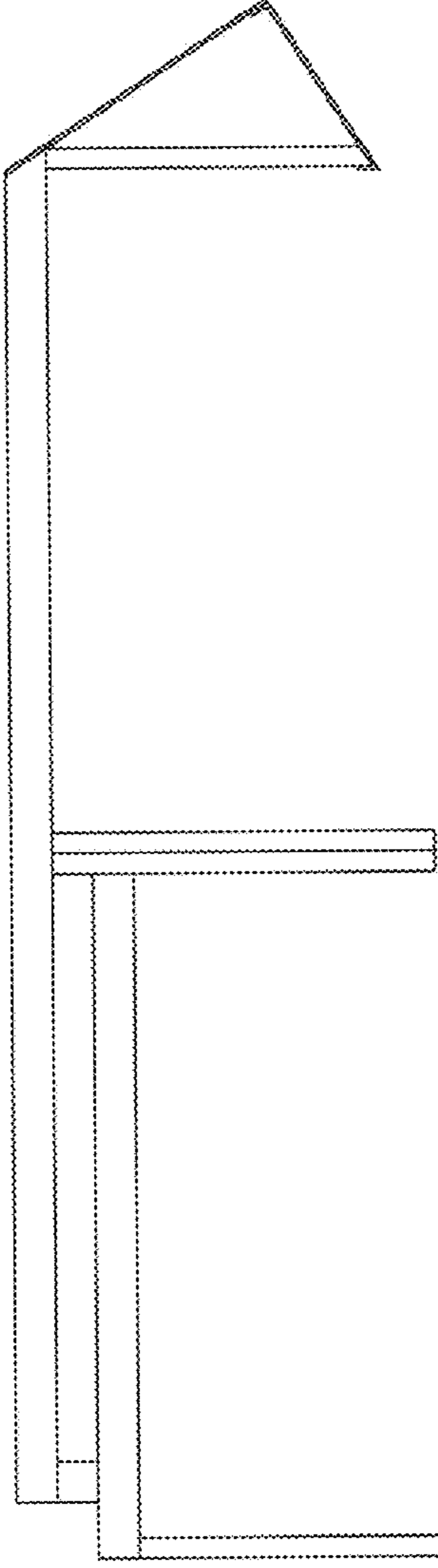


FIG. 7

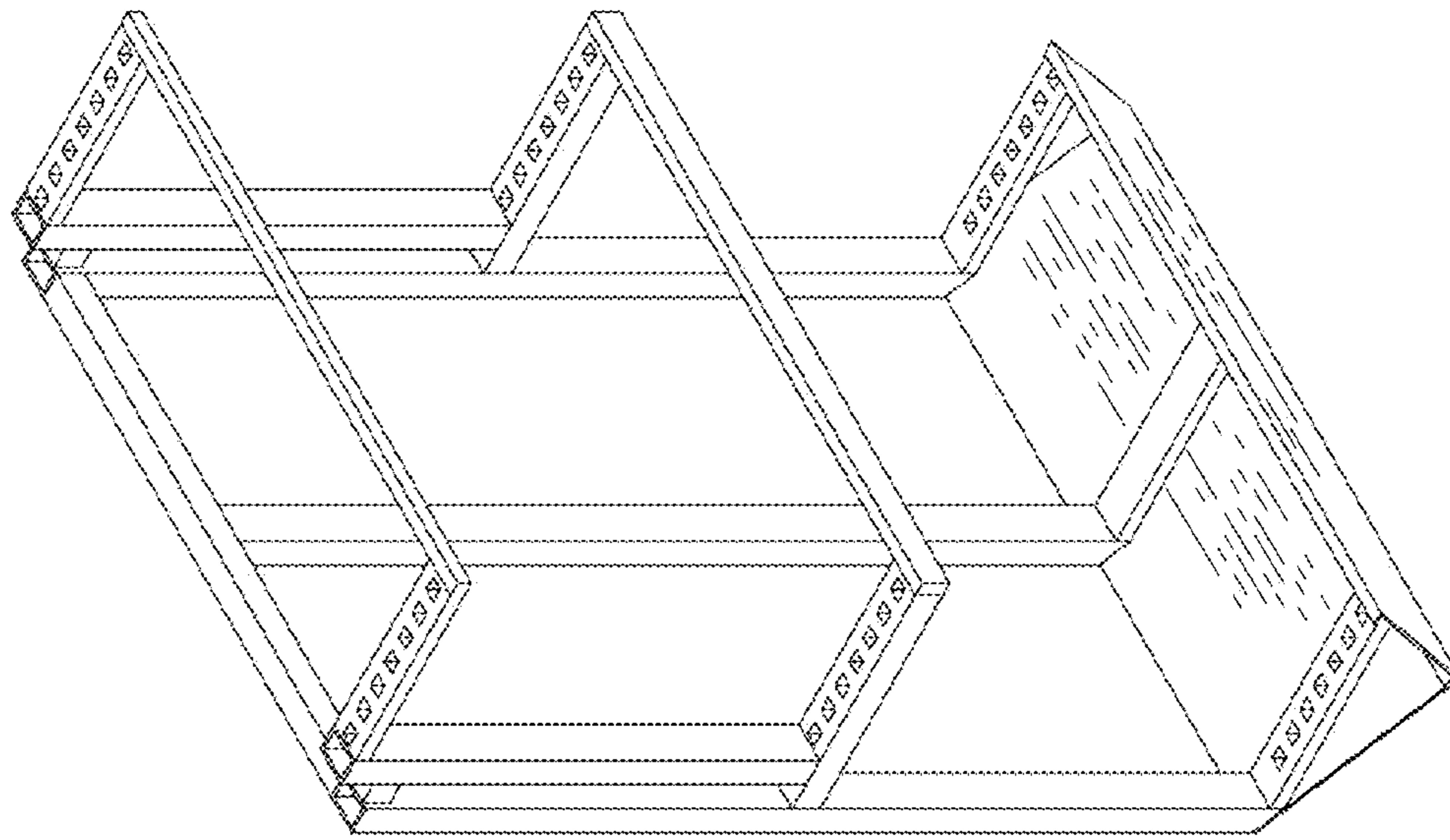


FIG. 8

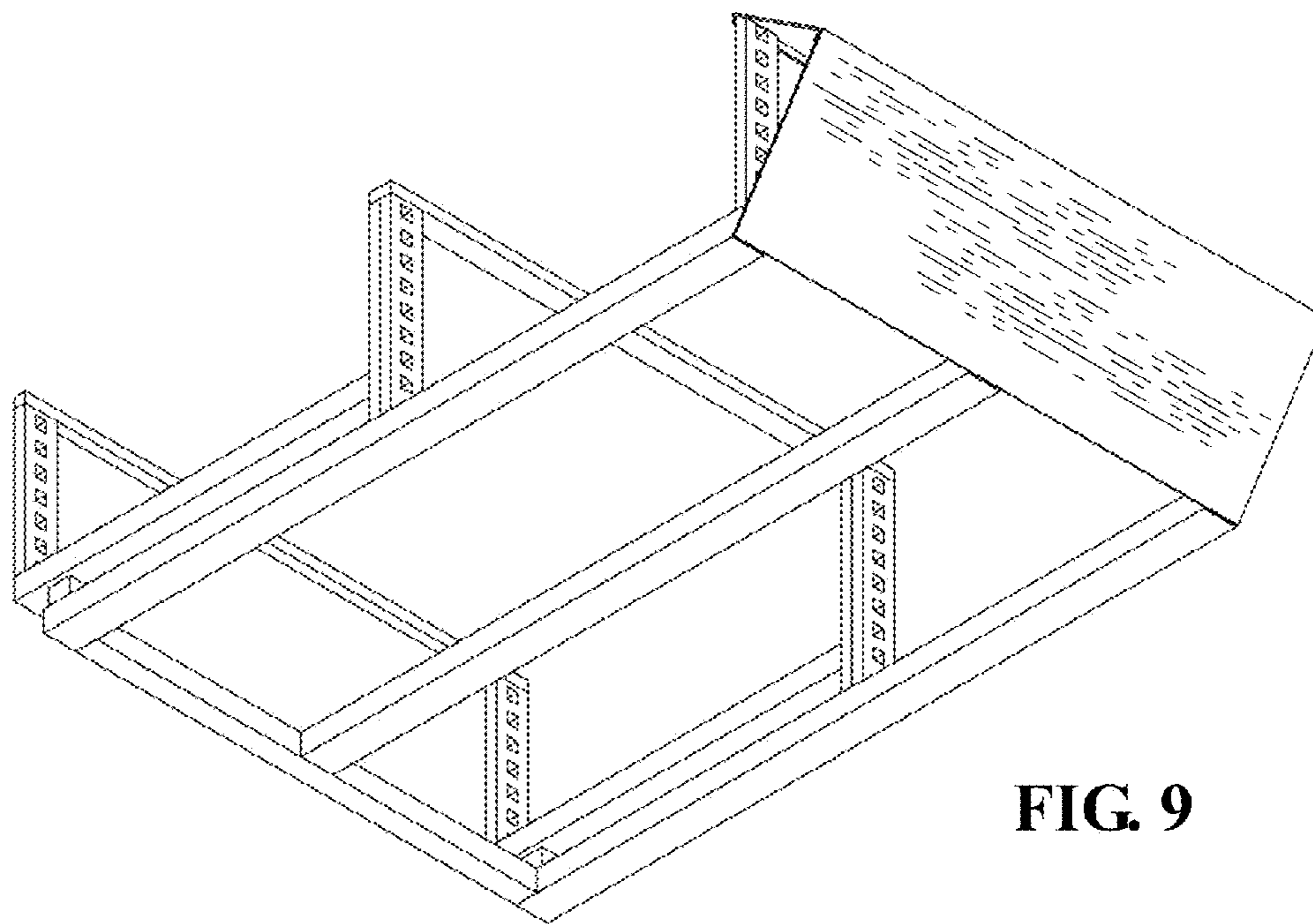


FIG. 9