



US00D692691S

(12) **United States Design Patent**  
**Henderson et al.**

(10) **Patent No.:** **US D692,691 S**  
(45) **Date of Patent:** **\*\* Nov. 5, 2013**

(54) **MATTRESS BED CUSHION**

(71) Applicants: **Randal Lee Henderson**, Zebulon, NC (US); **Stephen C. Kokenes**, Raleigh, NC (US); **Julian Thomas Young**, Zebulon, NC (US); **Mark Stearley**, Cary, NC (US); **Edouard Lauer**, Zebulon, NC (US); **Ivan Sobran**, Raleigh, NC (US); **Michael Allman**, Wilson, NC (US); **Jozsef Kertesz**, Raleigh, NC (US)

(72) Inventors: **Randal Lee Henderson**, Zebulon, NC (US); **Stephen C. Kokenes**, Raleigh, NC (US); **Julian Thomas Young**, Zebulon, NC (US); **Mark Stearley**, Cary, NC (US); **Edouard Lauer**, Zebulon, NC (US); **Ivan Sobran**, Raleigh, NC (US); **Michael Allman**, Wilson, NC (US); **Jozsef Kertesz**, Raleigh, NC (US)

(73) Assignee: **Noel Group LLC**, Zebulon, NC (US)

(\*\*) Term: **14 Years**

(21) Appl. No.: **29/436,787**

(22) Filed: **Nov. 9, 2012**

**Related U.S. Application Data**

(62) Division of application No. 13/630,435, filed on Sep. 28, 2012, which is a division of application No. 13/458,239, filed on Apr. 27, 2012, and a division of application No. 12/716,804, filed on Mar. 3, 2010, now Pat. No. 8,356,373.

(51) **LOC (9) Cl.** ..... **06-06**

(52) **U.S. Cl.**  
USPC ..... **D6/606; D6/601**

(58) **Field of Classification Search**  
USPC ..... D6/601, 605, 606; 5/716, 717, 727, 5/720, 740; 267/153; D25/119-125, 136  
See application file for complete search history.

(56) **References Cited**

**U.S. PATENT DOCUMENTS**

831,441 A 9/1906 Johnson  
1,579,074 A 3/1926 Burton

(Continued)

**FOREIGN PATENT DOCUMENTS**

CN 2137475 Y 7/1993  
CN 2302709 Y 1/1999

(Continued)

**OTHER PUBLICATIONS**

Invitation to Pay Additional Fees for PCT/US2012/035564 mailed Jan. 17, 2013, 7 pages.

(Continued)

*Primary Examiner* — Janice Seeger

(74) *Attorney, Agent, or Firm* — Withrow & Terranova, PLLC

(57)

**CLAIM**

The ornamental design for mattress bed cushion, as shown and described.

**DESCRIPTION**

FIG. 1 is a top perspective view of an exemplary mattress bed cushion;

FIG. 2 is a top view of the mattress bed cushion of FIG. 1;

FIG. 3 is a bottom view of the mattress bed cushion of FIG. 1;

FIG. 4 is a left side view of the mattress bed cushion of FIG. 1, and a right side view is identical thereto;

FIG. 5 is a front view of the mattress bed cushion of FIG. 1, and a rear view is identical thereto;

FIG. 6 is a sectional top perspective view of the exemplary mattress bed cushion of FIG. 1;

FIG. 7 is a sectional top view of the mattress bed cushion of FIG. 1;

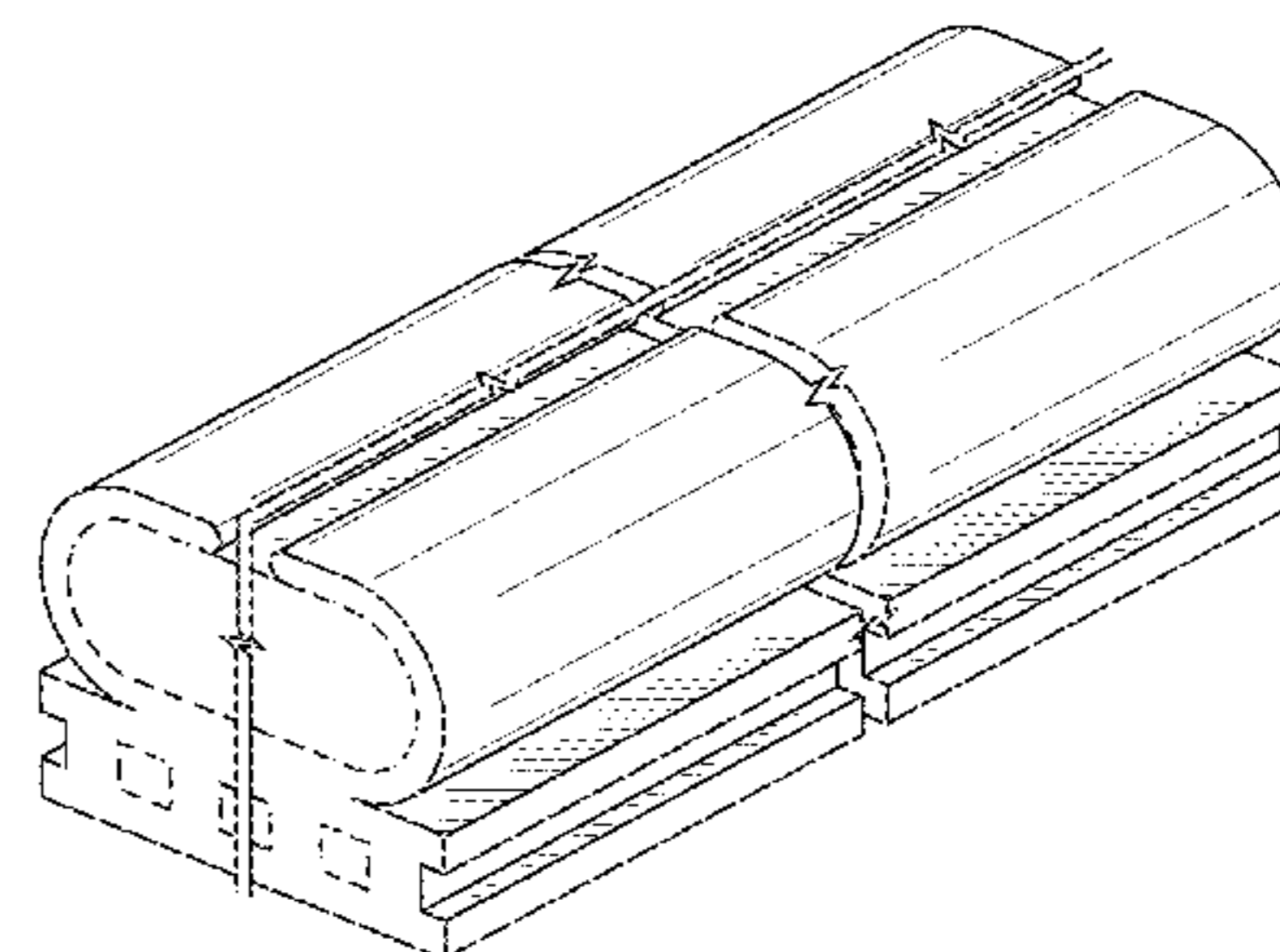
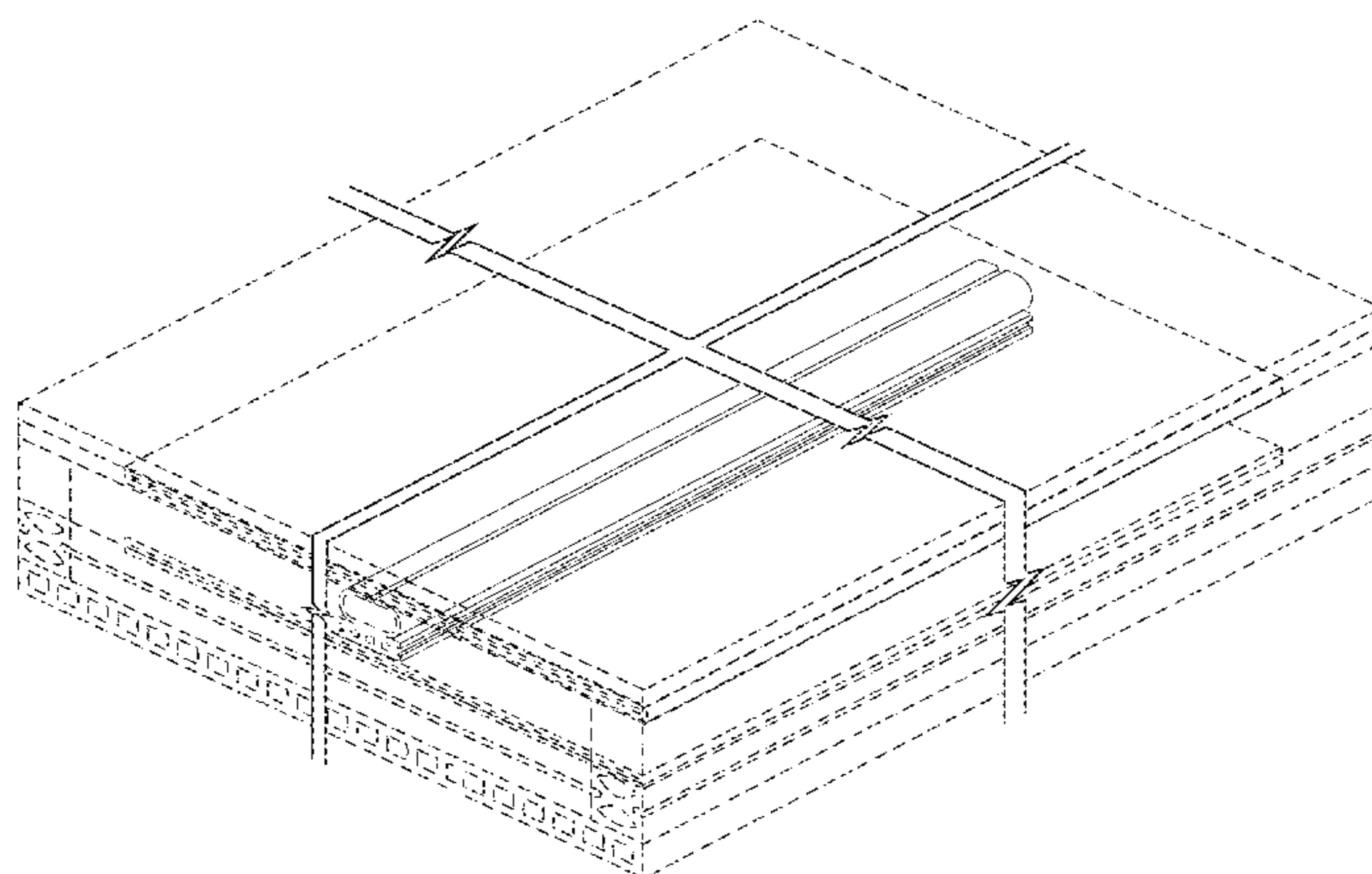
FIG. 8 is a sectional bottom view of the mattress bed cushion of FIG. 1;

FIG. 9 is a sectional left side view of the mattress bed cushion of FIG. 1, and a sectional right side view is identical thereto; and,

FIG. 10 is a sectional front view of the mattress bed cushion of FIG. 1, and a sectional rear view is identical thereto.

The mattress bed cushion is shown with symbolic breaks in its length and width. The appearance of any portion of the article between the break lines forms no part of the claimed design.

**1 Claim, 9 Drawing Sheets**





(56)

References Cited

U.S. PATENT DOCUMENTS

1,930,285 A	10/1933	Robinson	4,828,325 A	5/1989	Brooks
2,192,516 A	3/1940	Cunnington	4,837,060 A	6/1989	Bambara et al.
2,241,644 A	5/1941	Nichols et al.	4,837,881 A	6/1989	Kondo et al.
2,369,000 A	2/1945	Page	4,879,776 A	11/1989	Farley
2,429,508 A	10/1947	Belaieff	4,952,450 A	8/1990	Noel
2,604,642 A	7/1952	Marco	D310,460 S	9/1990	Vergnano
2,659,418 A	11/1953	Berman	4,955,096 A	9/1990	Gilroy et al.
2,682,125 A	6/1954	Coffield	4,957,798 A	9/1990	Bogdany
2,835,313 A	5/1958	Dodge	4,966,919 A	10/1990	Williams, Jr. et al.
2,835,906 A	5/1958	Robbins	4,972,535 A	11/1990	Goldman
2,917,807 A	12/1959	Scholl	4,997,804 A	3/1991	Pekala
2,955,056 A	10/1960	Knox	4,999,868 A	3/1991	Kraft
3,026,544 A	3/1962	Persicke et al.	5,022,111 A	6/1991	Fenner
3,047,888 A	8/1962	Shecter et al.	5,031,261 A	7/1991	Fenner, Sr.
3,061,460 A	10/1962	Schickedanz	5,037,859 A	8/1991	Williams, Jr. et al.
3,107,377 A	10/1963	Nathan	5,038,433 A	8/1991	Farley
3,114,722 A	12/1963	Einhorn et al.	5,047,436 A	9/1991	Hill et al.
3,188,665 A	6/1965	Snyder	5,070,560 A	12/1991	Wilkinson
3,222,697 A	12/1965	Scheermesser	5,083,335 A	1/1992	Krouskop et al.
3,283,357 A	11/1966	Decker et al.	5,086,084 A	2/1992	Michaelson
3,287,748 A	11/1966	Thomas et al.	5,087,514 A	2/1992	Graefe
3,319,272 A	5/1967	Eller	5,098,778 A	3/1992	Minnick
3,483,069 A	12/1969	Cairns et al.	5,114,773 A	5/1992	Bogdany et al.
3,531,552 A	9/1970	Getz et al.	5,118,555 A	6/1992	Horovitz
3,551,924 A	1/1971	Frye, Sr.	5,132,549 A	7/1992	Allan et al.
3,591,444 A	7/1971	Hoppe	5,136,740 A	8/1992	Kraft et al.
3,607,596 A	9/1971	Fairbanks	5,138,730 A	8/1992	Masuda
3,607,797 A	9/1971	Rubens et al.	5,206,082 A	4/1993	Malone
3,627,622 A	12/1971	Vega	5,248,550 A	9/1993	Turpin et al.
3,691,569 A	9/1972	Ikada	5,272,001 A	12/1993	Weisman et al.
3,728,206 A	4/1973	Buese	5,274,846 A	1/1994	Kolsky et al.
3,813,462 A	5/1974	Roberts	5,280,890 A	1/1994	Wydra
3,846,857 A	11/1974	Weinstock	5,327,597 A	7/1994	Rothbard
3,878,133 A	4/1975	Rubens	5,366,999 A	11/1994	Giez et al.
3,922,429 A	11/1975	Welch et al.	5,389,317 A	2/1995	Grimmer
3,989,781 A	11/1976	Chant	5,395,860 A	3/1995	Leung et al.
4,051,210 A	9/1977	Wallenberger	5,415,822 A	5/1995	Cook
D247,373 S	2/1978	Puccio	5,418,257 A	5/1995	Weisman et al.
4,073,020 A	2/1978	Stalter et al.	5,430,901 A	7/1995	Farley
4,106,139 A	8/1978	Southard	5,451,451 A	9/1995	Minnick
4,110,857 A	9/1978	Banister	5,488,746 A	2/1996	Hudson
4,134,166 A	1/1979	Schuder	5,491,852 A	2/1996	Maucher
4,143,435 A	3/1979	Masuda	5,492,662 A	2/1996	Kargol et al.
4,146,562 A	3/1979	Fukushima et al.	5,494,627 A	2/1996	Kargol et al.
4,159,355 A	6/1979	Kaufman	5,513,402 A	5/1996	Schwartz
4,169,184 A	9/1979	Pufahl	5,544,908 A	8/1996	Fezio
4,213,214 A	7/1980	Gilhooly	5,642,557 A *	7/1997	Clews ..... 24/339
4,224,374 A	9/1980	Priest	5,643,139 A	7/1997	Stout et al.
4,230,521 A	10/1980	Cobb et al.	5,686,167 A	11/1997	Rudy
4,260,660 A	4/1981	McCarter	5,701,623 A	12/1997	May
4,276,107 A	6/1981	Pufahl	5,721,035 A	2/1998	Dunn
4,279,953 A	7/1981	Barden et al.	5,740,574 A	4/1998	Piraino et al.
4,281,197 A	7/1981	Oblinger	5,755,901 A	5/1998	Ormachea
4,348,243 A	9/1982	Craubner	5,801,211 A	9/1998	Tornero et al.
4,350,734 A	9/1982	Hammond	5,806,796 A	9/1998	Healey
4,393,116 A	7/1983	Taylor	D401,451 S	11/1998	Sherman
4,397,053 A	8/1983	Fanti	D406,051 S *	2/1999	Ross ..... D8/395
4,432,110 A	2/1984	Sutton	5,869,172 A	2/1999	Caldwell et al.
4,438,221 A	3/1984	Fracalossi et al.	5,876,652 A	3/1999	Rorabaugh et al.
4,524,473 A	6/1985	Fanti	5,919,413 A	7/1999	Avila
4,525,386 A	6/1985	Weisman	5,944,389 A	8/1999	Zenba et al.
4,537,825 A	8/1985	Yardley	5,945,461 A	8/1999	Gosiewski et al.
4,569,861 A	2/1986	Smith et al.	5,960,497 A	10/1999	Castellino et al.
4,603,445 A	8/1986	Spann	5,977,271 A	11/1999	McKay et al.
4,618,517 A	10/1986	Simko, Jr.	5,987,668 A	11/1999	Ackley
4,620,337 A	11/1986	Williams et al.	D418,394 S	1/2000	King
4,631,768 A	12/1986	Ferrall	6,026,527 A	2/2000	Pearce et al.
4,683,246 A	7/1987	Davis et al.	6,108,835 A	8/2000	Hwang et al.
4,700,447 A	10/1987	Spann	6,129,978 A	10/2000	Caldwell
4,713,854 A	12/1987	Graebe	6,132,323 A	10/2000	Smith et al.
4,722,158 A	2/1988	Urdaneta	6,139,956 A	10/2000	Endoh et al.
4,741,058 A	5/1988	Williams et al.	6,212,720 B1	4/2001	Antinori et al.
4,755,408 A	7/1988	Noel	6,237,173 B1	5/2001	Schlichter et al.
4,780,167 A	10/1988	Hill	6,258,310 B1	7/2001	Sardanopoli et al.
4,796,316 A	1/1989	Boselli	6,262,137 B1	7/2001	Kozma et al.
			6,284,346 B1	9/2001	Sheridan
			6,306,235 B1	10/2001	Henderson
			6,309,235 B1	10/2001	Argaut
			6,317,912 B1	11/2001	Graebe et al.



(56)

References Cited

U.S. PATENT DOCUMENTS

6,323,251 B1 11/2001 Perez et al.  
 6,406,780 B1 6/2002 Sutherland  
 6,425,153 B1 7/2002 Reswick  
 6,537,405 B1 3/2003 Henderson et al.  
 6,555,214 B1 4/2003 Yates  
 6,574,814 B2 6/2003 Collard et al.  
 6,596,389 B1 7/2003 Hallett et al.  
 6,612,556 B2 9/2003 Petrina  
 6,643,876 B2 11/2003 Visser et al.  
 6,658,683 B2 12/2003 Parvin  
 6,687,935 B2 2/2004 Reeder et al.  
 6,691,482 B1 2/2004 Ault  
 6,701,551 B1 3/2004 Antinori  
 6,740,381 B2 5/2004 Day et al.  
 6,743,830 B2 6/2004 Soane et al.  
 6,807,698 B2 10/2004 Torbet et al.  
 6,866,915 B2 3/2005 Landvik  
 6,920,287 B1 7/2005 Hinds et al.  
 6,949,588 B2 9/2005 Park  
 6,967,833 B2 11/2005 Boykin et al.  
 7,045,206 B1 5/2006 Granata et al.  
 7,059,001 B2 6/2006 Woolfson  
 7,076,822 B2 7/2006 Pearce  
 7,086,108 B1 8/2006 Litvak  
 7,090,911 B2 8/2006 Lascelles  
 7,093,619 B2 8/2006 Watanabe et al.  
 7,108,252 B2 9/2006 Jayakumaran  
 7,159,620 B2 1/2007 Kissell  
 7,166,646 B2 1/2007 Loh et al.  
 7,173,070 B2 2/2007 Koffler  
 7,191,483 B2 3/2007 Hochschild  
 7,281,917 B2 10/2007 Hannen  
 7,285,316 B2 10/2007 Meyer-Ahrens et al.  
 7,334,280 B1 2/2008 Swartzburg  
 7,386,903 B2 6/2008 Hochschild  
 7,393,577 B2 7/2008 Day et al.  
 7,426,767 B2 9/2008 Mossbeck  
 D579,586 S 10/2008 Mattingly  
 7,452,585 B1 11/2008 Wong et al.  
 7,490,819 B2 2/2009 Molitor  
 7,491,753 B2 2/2009 Krishnan  
 7,496,981 B2 3/2009 Alonso Cucurull  
 7,607,911 B2 10/2009 Sperry et al.  
 7,793,372 B2 9/2010 Lean et al.  
 7,794,827 B2 9/2010 Palmer et al.  
 7,845,035 B2 12/2010 Letton et al.  
 D640,535 S \* 6/2011 Austro ..... D8/382  
 8,034,445 B2 10/2011 Landvik et al.  
 8,127,383 B2 3/2012 Gladney et al.  
 D663,152 S 7/2012 Shive  
 8,307,482 B2 11/2012 Gladney et al.  
 D673,402 S 1/2013 Kuzyk  
 D675,051 S 1/2013 Sobran et al.  
 8,356,373 B2 1/2013 Allman et al.  
 D675,856 S \* 2/2013 Yiannaki ..... D6/606  
 8,418,297 B2 4/2013 Mikkelsen et al.  
 2001/0029632 A1 10/2001 Parvin  
 2001/0044972 A1 11/2001 Kutschi  
 2002/0054996 A1 5/2002 Rheenen  
 2002/0162173 A1 11/2002 Formenti  
 2002/0185905 A1 12/2002 Cassinelli  
 2003/0177584 A1 9/2003 Boyd  
 2003/0194546 A1 10/2003 McCabe  
 2003/0207634 A1 11/2003 Holeschovsky  
 2004/0010855 A1 1/2004 Piraino  
 2004/0126558 A1 7/2004 Williams et al.  
 2004/0133987 A1 7/2004 Reeder et al.  
 2004/0137212 A1 7/2004 Ochoa et al.  
 2004/0172766 A1 9/2004 Formenti  
 2004/0187217 A1 9/2004 Barman et al.  
 2005/0115003 A1 6/2005 Torbet et al.  
 2005/0188467 A1 9/2005 Woolfson  
 2005/0192368 A1 9/2005 Miller et al.  
 2006/0068169 A1 3/2006 Hanada et al.  
 2006/0123553 A1 6/2006 Jansen

2006/0127648 A1 6/2006 De Luca  
 2006/0194892 A1 8/2006 Ramesh et al.  
 2006/0195988 A1 9/2006 Gladney  
 2006/0272098 A1 12/2006 Hochschild  
 2006/0290039 A1 12/2006 Cao et al.  
 2007/0022540 A1 2/2007 Hochschild  
 2007/0044906 A1 3/2007 Park  
 2007/0094801 A1 5/2007 Kuo  
 2007/0221890 A1 9/2007 Gan  
 2007/0289069 A1 12/2007 Wells  
 2008/0014387 A1 1/2008 Murphy et al.  
 2008/0201860 A1 8/2008 Malzl  
 2008/0299379 A1 12/2008 Maurer et al.  
 2008/0313815 A1 12/2008 Guesquiere  
 2009/0011203 A1 1/2009 Mock et al.  
 2009/0013472 A1 1/2009 Koffler et al.  
 2009/0047495 A1 2/2009 Hubbs  
 2009/0139033 A1 6/2009 Gladney  
 2009/0142551 A1 6/2009 Fox et al.  
 2009/0183314 A1 7/2009 Demoss  
 2009/0291290 A1 11/2009 Zhang et al.  
 2010/0018347 A1 1/2010 Holden et al.  
 2010/0021690 A1 1/2010 McCarthy  
 2010/0030316 A1 2/2010 Prindle et al.  
 2010/0047550 A1 2/2010 Prissok et al.  
 2010/0143652 A1 6/2010 Stockton et al.  
 2010/0183847 A1 7/2010 Pearce et al.  
 2010/0218319 A1 9/2010 Moule et al.  
 2010/0221521 A1 9/2010 Wagner et al.  
 2010/0223732 A1 9/2010 Allman et al.  
 2010/0223734 A1 9/2010 Oh  
 2010/0237082 A1 9/2010 Fernandez  
 2010/0304104 A1 12/2010 Nagasaki et al.  
 2010/0319137 A1 12/2010 Witherell et al.  
 2010/0325806 A1 12/2010 Letton et al.  
 2011/0049327 A1 3/2011 Young et al.  
 2011/0179579 A1 7/2011 Henderson et al.  
 2011/0197363 A1 8/2011 Kokenes et al.  
 2012/0180225 A1 7/2012 Gladney et al.  
 2012/0233784 A1 9/2012 Wood  
 2012/0272457 A1 11/2012 Allman et al.  
 2012/0284928 A1 11/2012 Henderson et al.  
 2013/0098791 A1 4/2013 Saunders et al.

FOREIGN PATENT DOCUMENTS

CN 1233444 A 11/1999  
 CN 2432041 Y 5/2001  
 CN 2841067 Y 11/2006  
 DE 3937214 A1 5/1991  
 EP 0349620 A1 1/1990  
 EP 0209453 B2 9/1993  
 EP 0996654 B1 5/2000  
 EP 1825996 A1 8/2007  
 EP 1865812 A1 12/2007  
 EP 1914274 A1 4/2008  
 EP 2095745 A1 9/2009  
 EP 2247223 B1 3/2013  
 GB 1423541 A 2/1976  
 GB 2225229 A 5/1990  
 WO 9514136 A1 5/1995  
 WO 9522922 A1 8/1995  
 WO 02075203 A1 9/2002  
 WO 02077513 A1 10/2002  
 WO 2004041659 A2 5/2004  
 WO 2008100728 A2 8/2008  
 WO 2009014657 A1 1/2009  
 WO 2010075231 A1 7/2010  
 WO 2011150080 A1 12/2011  
 WO 2012033985 A1 3/2012  
 WO 2012076978 A1 6/2012  
 WO 2012094466 A1 7/2012  
 WO 2012094468 A1 7/2012  
 WO 2012145320 A1 10/2012  
 WO 2012155131 A1 11/2012  
 WO 2012155132 A1 11/2012  
 WO 2013012904 A1 1/2013

(56)

**References Cited**

FOREIGN PATENT DOCUMENTS

WO 2013040543 A2 3/2013  
 WO 2013059767 A1 4/2013

OTHER PUBLICATIONS

Non-final Office Action for U.S. Appl. No. 29/413,103 mailed Jan. 8, 2013, 5 pages.  
 International Search Report for PCT/US2010/040003 mailed Aug. 30, 2010, 10 pages.  
 Non-final Office Action for U.S. Appl. No. 12/893,265 mailed May 15, 2012, 15 pages.  
 Chinese Office Action for patent application 20102187662.1 mailed Oct. 21, 2010, 3 pages.  
 Non-final Office Action for U.S. Appl. No. 12/823,653 mailed Mar. 7, 2012, 6 pages.  
 Kelmner, Daniel et al., "3.3 Open- and Closed-Cell Foamed Plastics," in Handbook of Polymeric Foam and Foam Technology, Second Edition, Hanser Gardner Publications, Inc., Cincinnati, OH, Apr. 2004, pp. 22, 39 and 59.  
 Smock, D., "One-step SkinForm process went live at NPE2012," Plasticstoday.com, Apr. 13, 2012, 2 pages, Accessed Apr. 18, 2012.  
 European Search Report for European Patent Application No. 10749317.3 mailed Oct. 30, 2012, 7 pages.  
 International Preliminary Report on Patentability for PCT/US2011/024759 mailed Aug. 14, 2012, 8 pages.  
 International Search Report and Written Opinion for PCT/US2011/024759 mailed Apr. 7, 2011, 12 pages.  
 International Search Report for PCT/US2012/057917 mailed Dec. 21, 2012, 11 pages.  
 Non-final Office Action for U.S. Appl. No. 12/716,804 mailed Jun. 21, 2012, 10 pages.  
 Notice of Allowance for U.S. Appl. No. 12/716,804 mailed Dec. 11, 2012, 9 pages.  
 Notice of Allowance for U.S. Appl. No. 29/436,783 mailed Mar. 14, 2013, 6 pages.  
 Non-final Office Action for U.S. Appl. No. 29/436,793 mailed Mar. 15, 2013, 5 pages.  
 Non-final Office Action for U.S. Appl. No. 29/436,801 mailed Mar. 15, 2013, 6 pages.  
 Non-final Office Action for U.S. Appl. No. 29/436,831 mailed Mar. 15, 2013, 5 pages.

Non-final Office Action for U.S. Appl. No. 29/436,833 mailed Mar. 15, 2013, 5 pages.  
 Non-final Office Action for U.S. Appl. No. 29/436,847 mailed Mar. 15, 2013, 5 pages.  
 Non-final Office Action for U.S. Appl. No. 29/436,860 mailed Mar. 15, 2013, 5 pages.  
 Final Office Action for U.S. Appl. No. 12/893,265 mailed Mar. 15, 2013, 12 pages.  
 Notice of Allowance for U.S. Appl. No. 29/436,781 mailed Mar. 19, 2013, 7 pages.  
 Notice of Allowance for U.S. Appl. No. 29/436,786 mailed Mar. 19, 2013, 8 pages.  
 Non-final Office Action for U.S. Appl. No. 29/436,792 mailed Mar. 19, 2013, 5 pages.  
 Non-final Office Action for U.S. Appl. No. 29/436,806 mailed Mar. 21, 2013, 6 pages.  
 Notice of Allowance for U.S. Appl. No. 29/436,781 mailed May 24, 2013, 8 pages.  
 Notice of Allowance for U.S. Appl. No. 29/436,783 mailed May 28, 2013, 8 pages.  
 Notice of Allowance for U.S. Appl. No. 29/436,786 mailed May 28, 2013, 8 pages.  
 Notice of Allowance for U.S. Appl. No. 29/436,782 mailed May 24, 2013, 8 pages.  
 Notice of Allowance for U.S. Appl. No. 29/436,790 mailed May 28, 2013, 8 pages.  
 Non-final Office Action for U.S. Appl. No. 29/436,795 mailed May 23, 2013, 6 pages.  
 Non-final Office Action for U.S. Appl. No. 29/436,799 mailed May 23, 2013, 6 pages.  
 Non-final Office Action for U.S. Appl. No. 29/436,842 mailed May 23, 2013, 6 pages.  
 Notice of Allowance for U.S. Appl. No. 29/413,103 mailed May 2, 2013, 7 pages.  
 Non-final Office Action for U.S. Appl. No. 29/426,274 mailed May 14, 2013, 4 pages.  
 Non-final Office Action for U.S. Appl. No. 13/026,979 mailed May 17, 2013, 11 pages.  
 Canadian Office Action for Canadian patent application 2,783,886 mailed Mar. 21, 2013, 3 pages.  
 Official Action for Mexican patent application MX/a/2011/009080 mailed Mar. 22, 2013, 6 pages.  
 International Search Report for PCT/US2012/035564 mailed Mar. 26, 2013, 13 pages.

\* cited by examiner



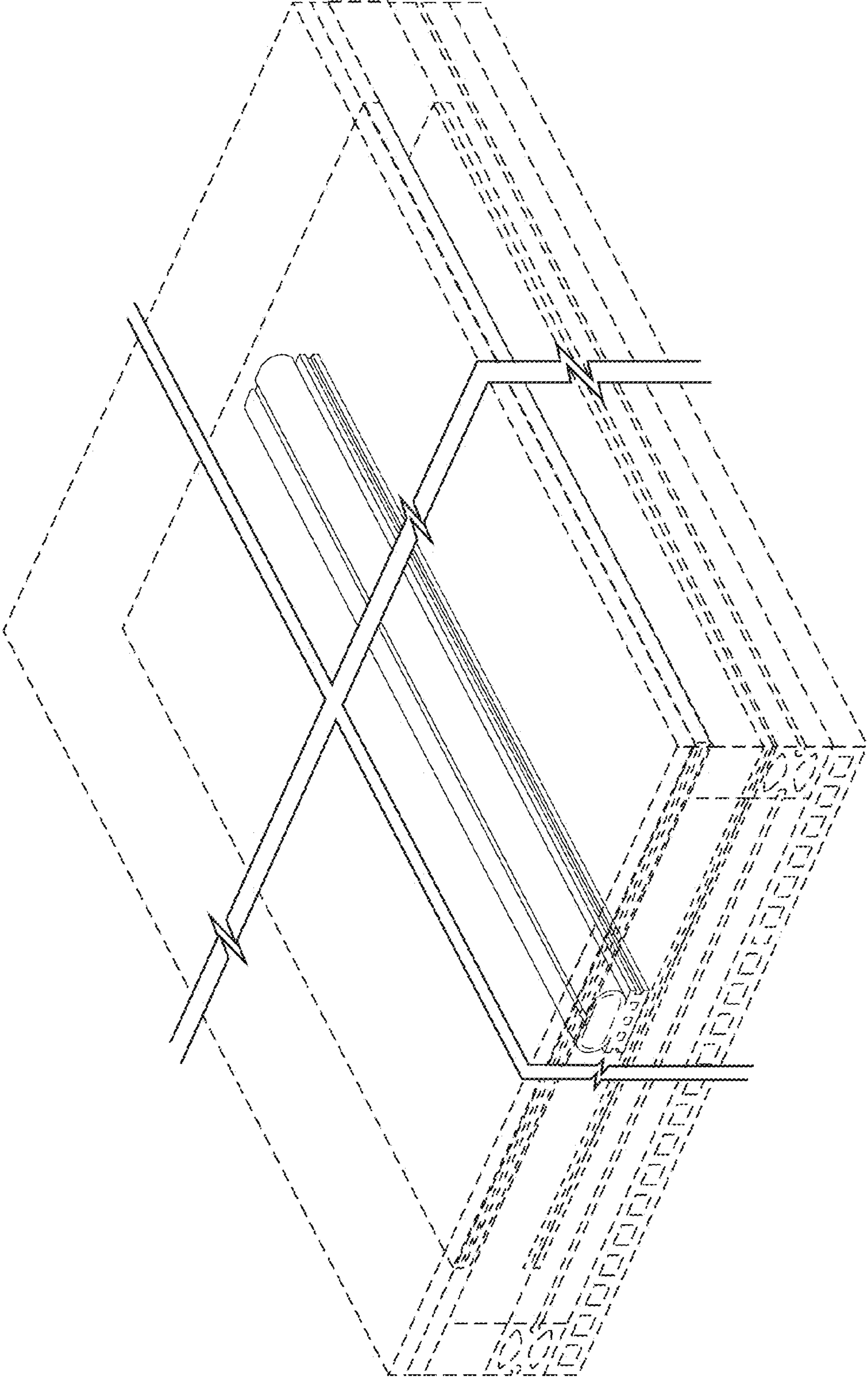


FIG. 1

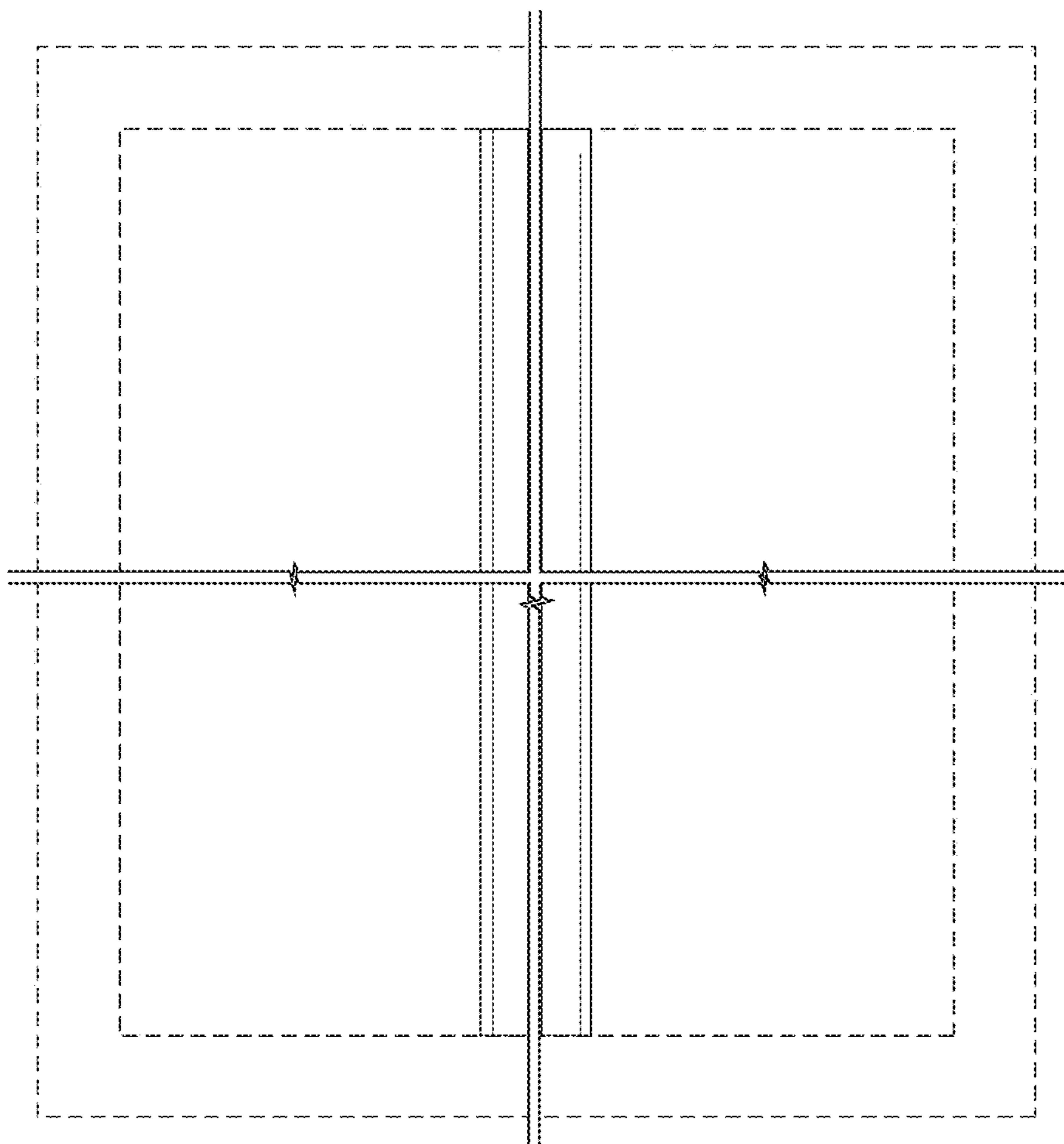


FIG. 2

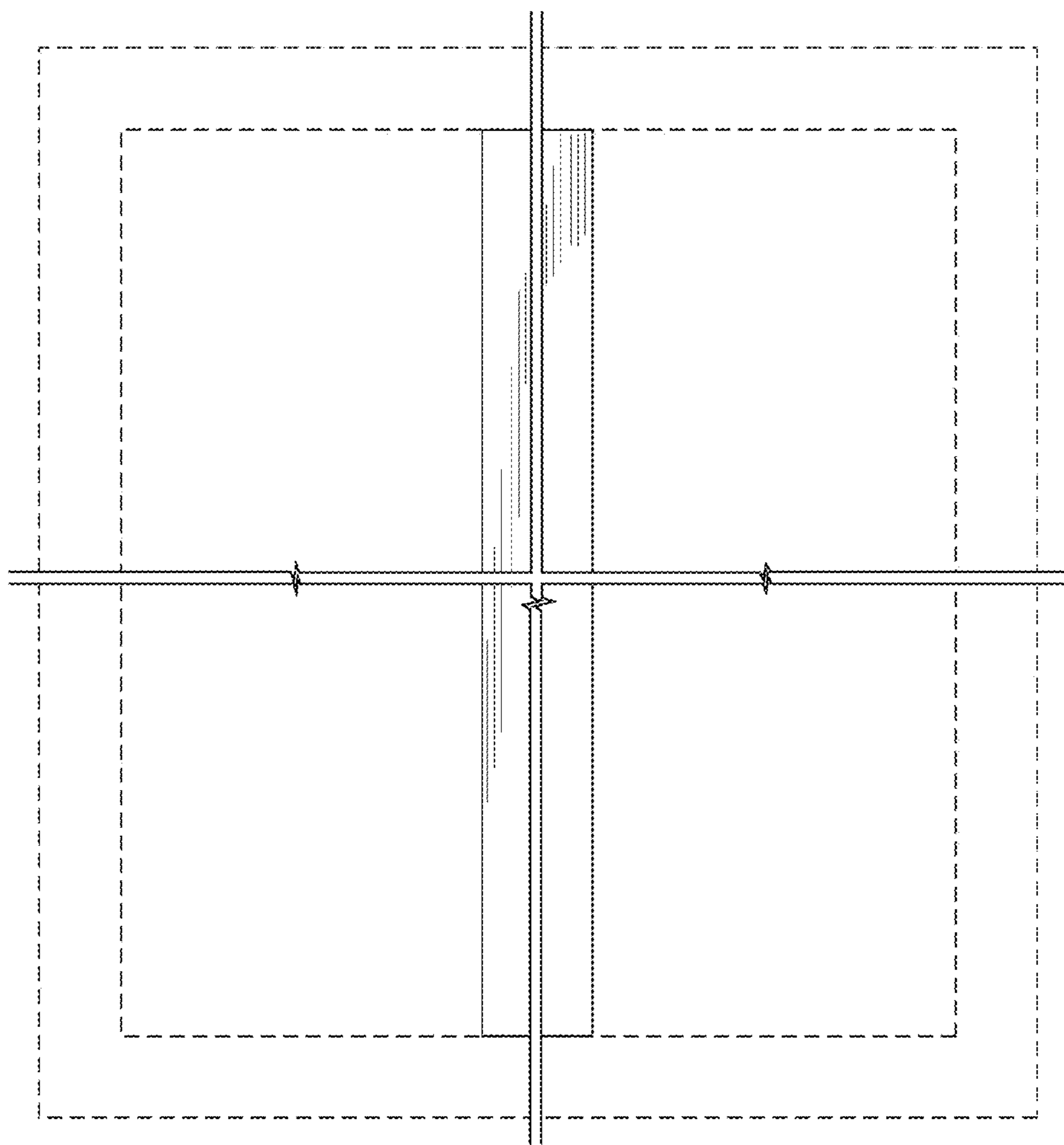


FIG. 3

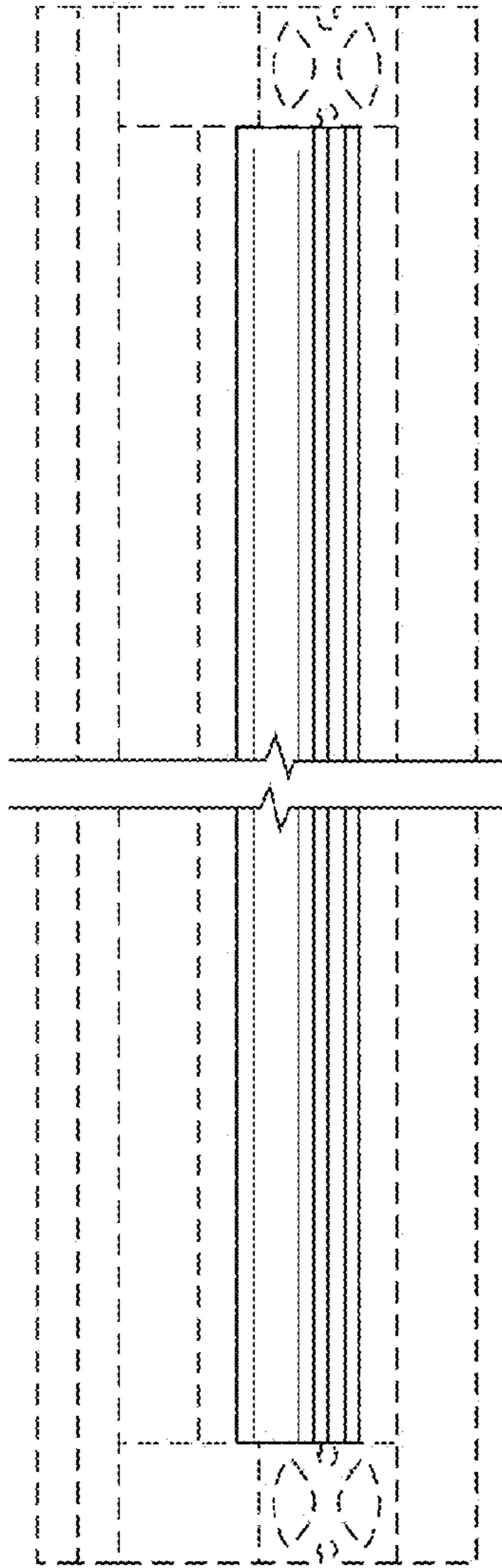


FIG. 4

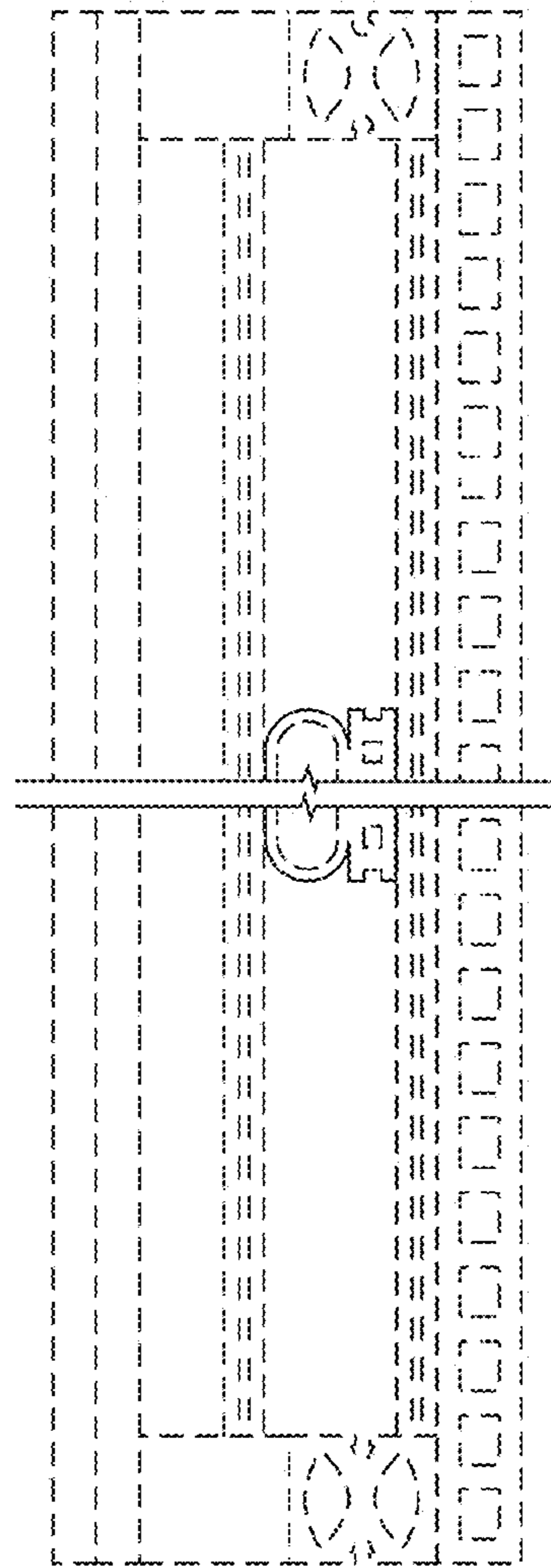


FIG. 5



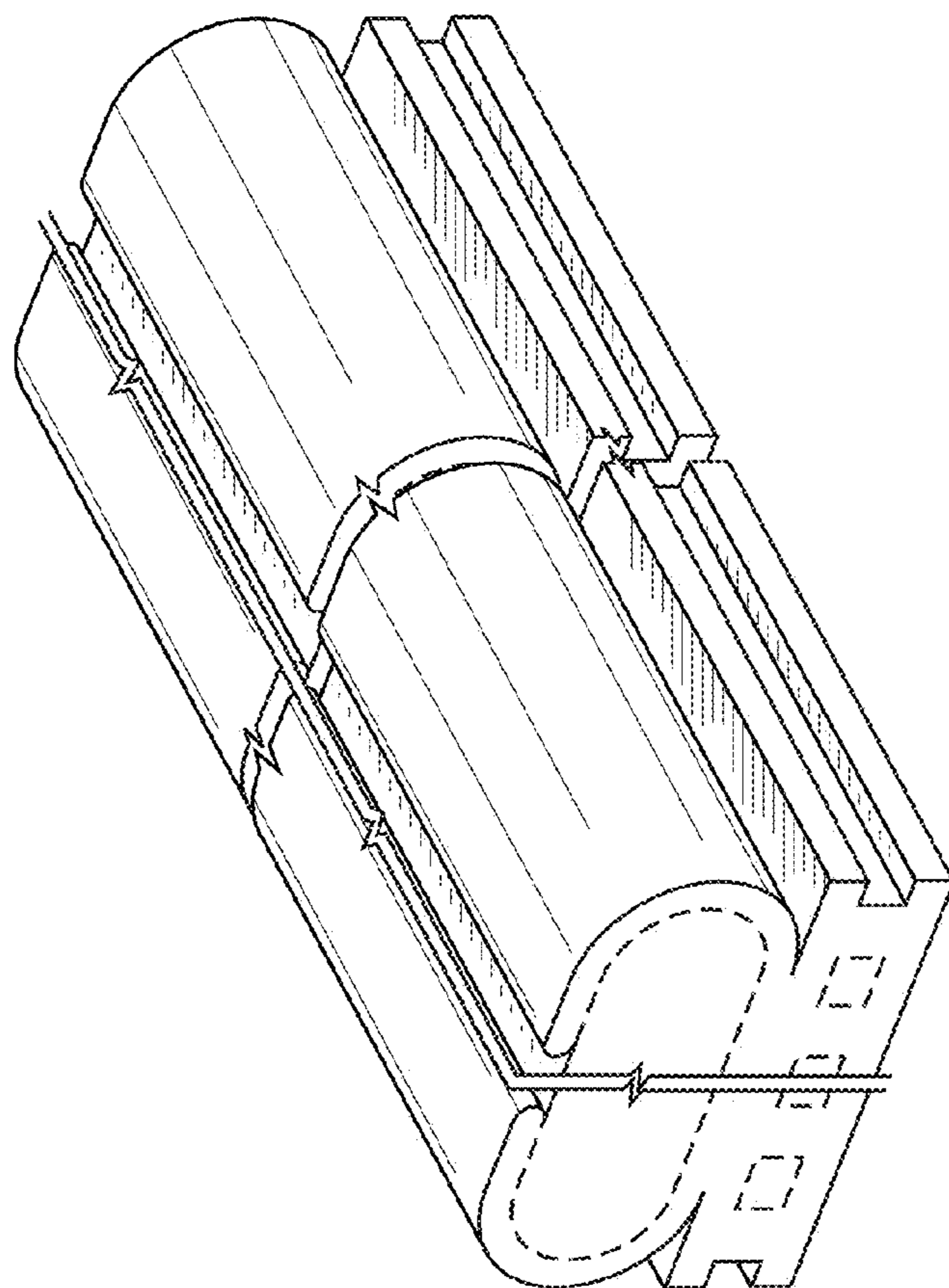


FIG. 6

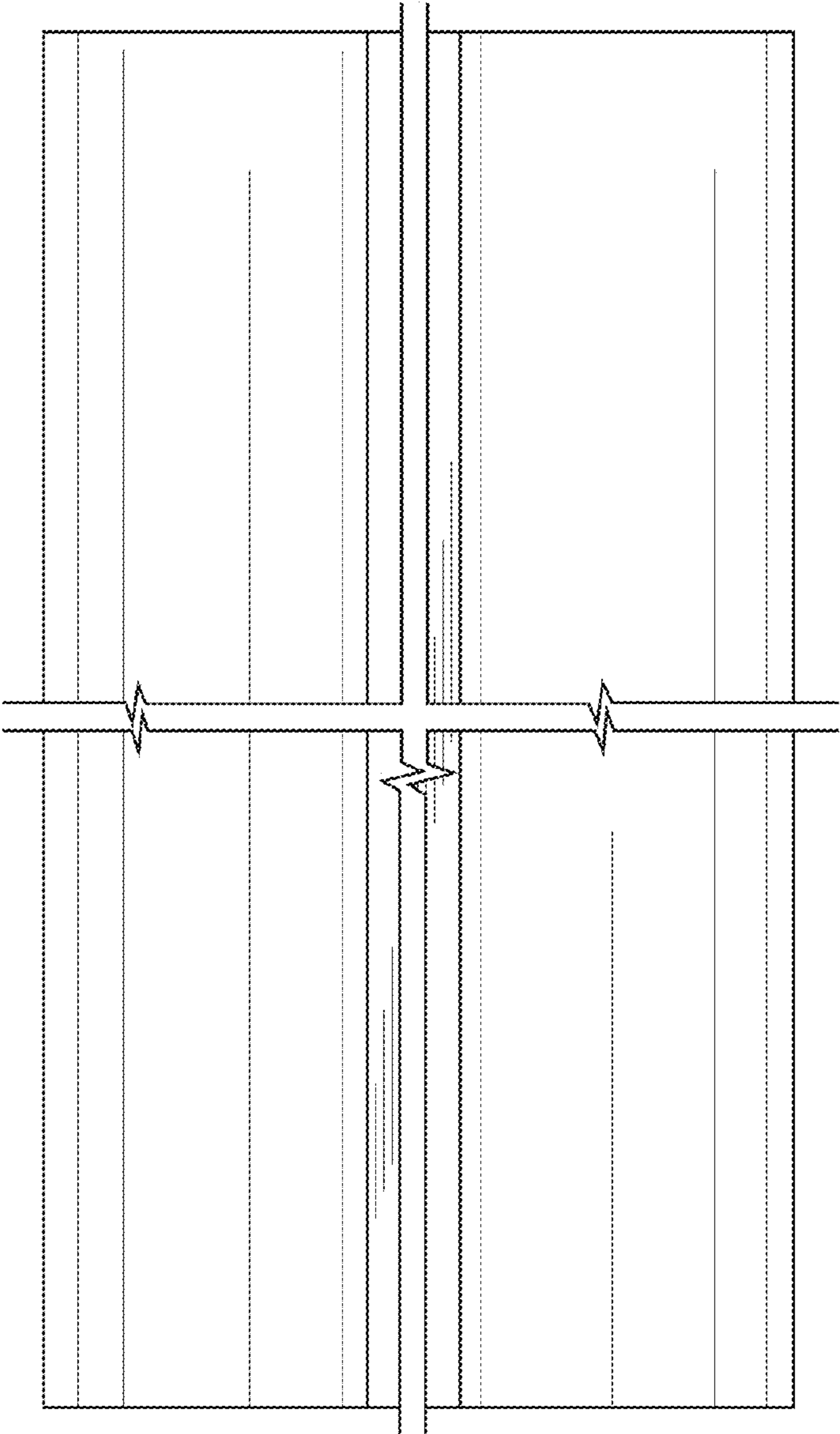


FIG. 7

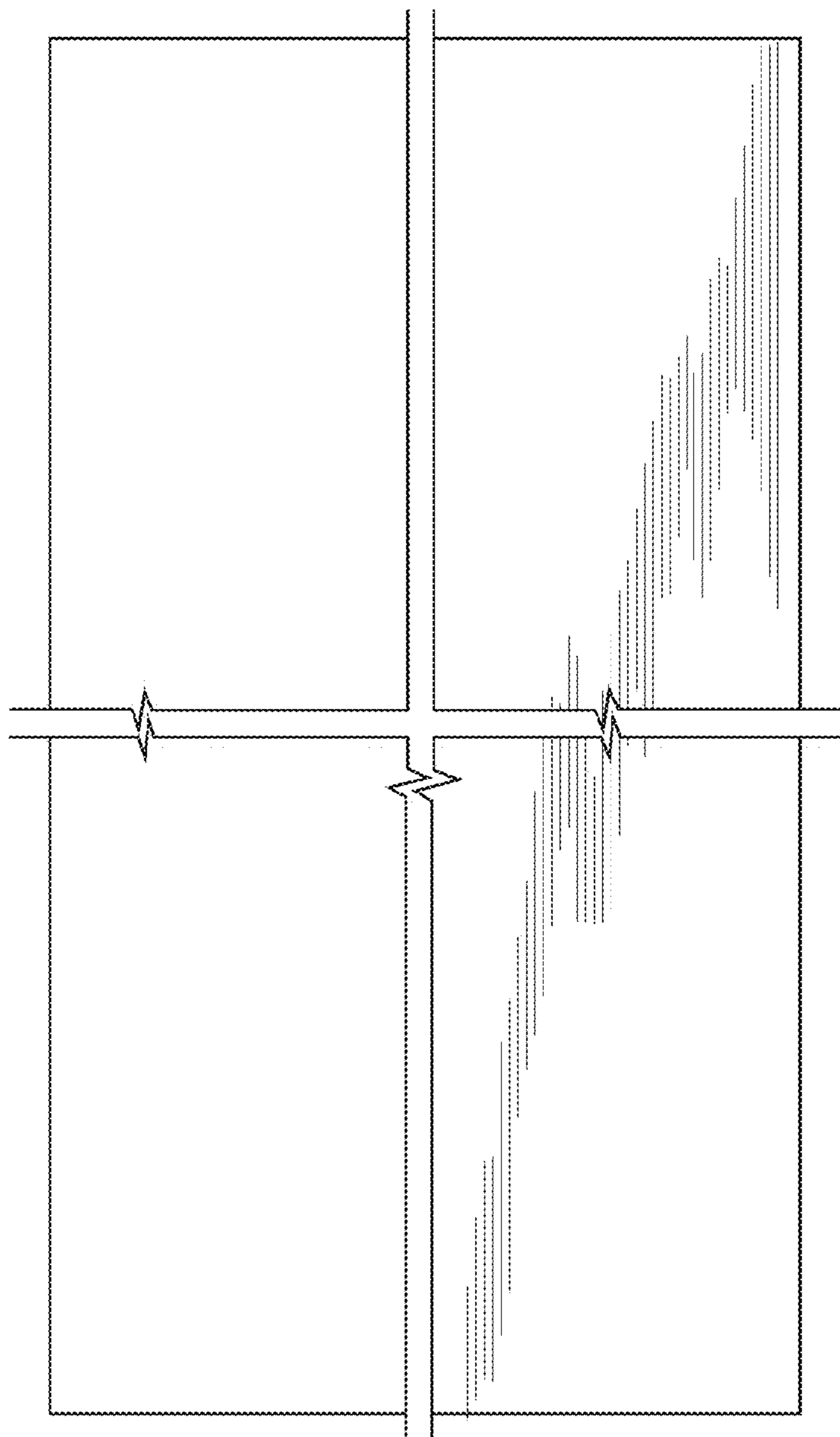


FIG. 8



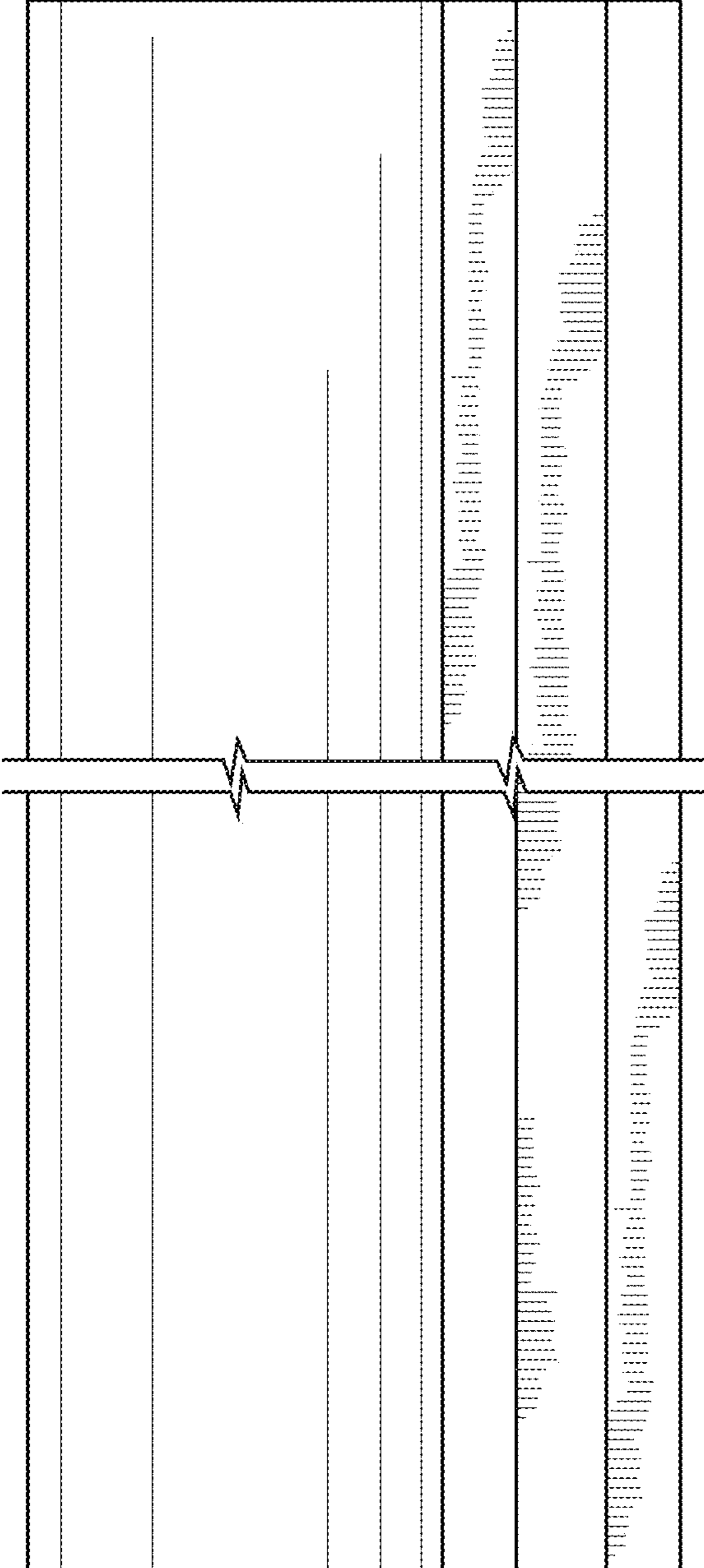


FIG. 9

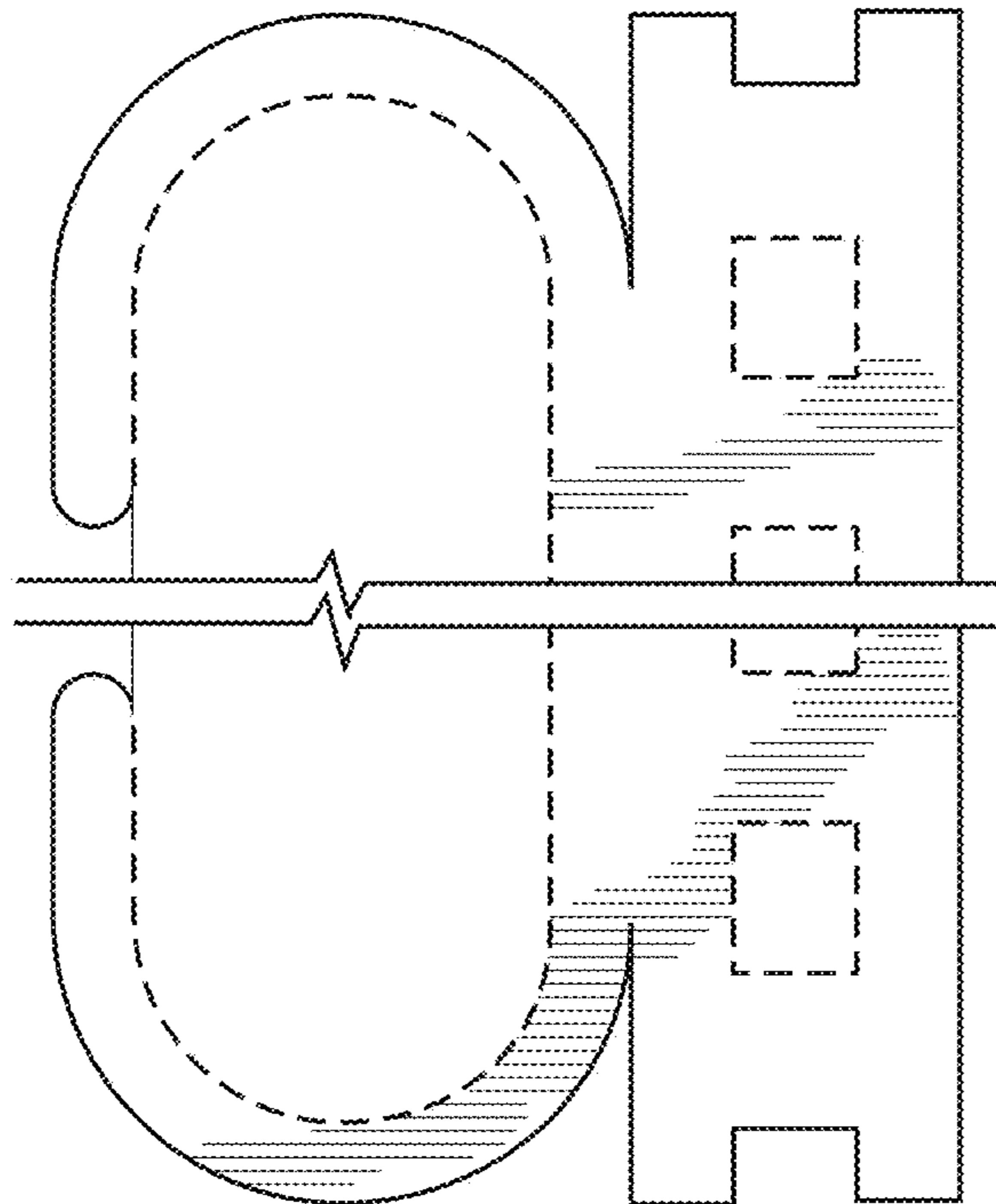


FIG. 10