



US00D692688S

(12) **United States Design Patent**
Curtis

(10) **Patent No.:** **US D692,688 S**

(45) **Date of Patent:** **** Nov. 5, 2013**

(54) **SET OF BED SHEETS**

(76) Inventor: **Janice Curtis**, St. Petersburg, FL (US)

(**) Term: **14 Years**

(21) Appl. No.: **29/425,075**

(22) Filed: **Jun. 20, 2012**

(51) **LOC (9) Cl.** **06-09**

(52) **U.S. Cl.**

USPC **D6/602**

(58) **Field of Classification Search**

USPC D6/596, 602, 603, 608, 597; 5/482,
5/484, 485, 486, 488, 495-502, 417, 420

See application file for complete search history.

(56) **References Cited**

U.S. PATENT DOCUMENTS

3,654,059	A *	4/1972	Zisblatt	428/41.5
4,488,323	A *	12/1984	Colburn	5/692
4,937,904	A *	7/1990	Ross	5/497
D313,140	S *	12/1990	Johnson	D6/596
5,042,099	A *	8/1991	Brenner et al.	5/502
5,195,197	A *	3/1993	Gutierrez et al.	5/500
5,263,212	A *	11/1993	Garcia	5/496
5,572,754	A *	11/1996	Lazar et al.	5/494
6,859,962	B2 *	3/2005	Diak/Ghanem	5/499
6,886,197	B1 *	5/2005	Madigan	5/482

8,117,692 B1 * 2/2012 Richards 5/484

* cited by examiner

Primary Examiner — Janice Seeger

(74) *Attorney, Agent, or Firm* — Edward P Dutkiewicz

(57) **CLAIM**

The ornamental design for a set of bed sheets, as shown and described.

DESCRIPTION

FIG. 1 is a right side elevational view of the set of bed sheets showing my new design, the left side elevational view and the right side elevational view being identical;

FIG. 2 is a front elevational view, the rear elevational view and the front elevational view being identical;

FIG. 3 is top plan view, with the stitching, attaching the hook and loop attachments to the cover sheet being shown as broken lines.

FIG. 4 is a bottom plan view of the set of bed sheets with the rings being shown in broken lines, indicating that the rings are not to be considered part of the claim, but are present for environment purposes only; and,

FIG. 5 is an exploded view of the top sheet and the bottom sheet, demonstrating how the top sheet is aligned with the bottom sheet. The stitching, attaching the hook and loop attachments to the cover sheet are shown as broken lines. The hook and loop patches of the lower sheet are visible, and are shown.

1 Claim, 4 Drawing Sheets

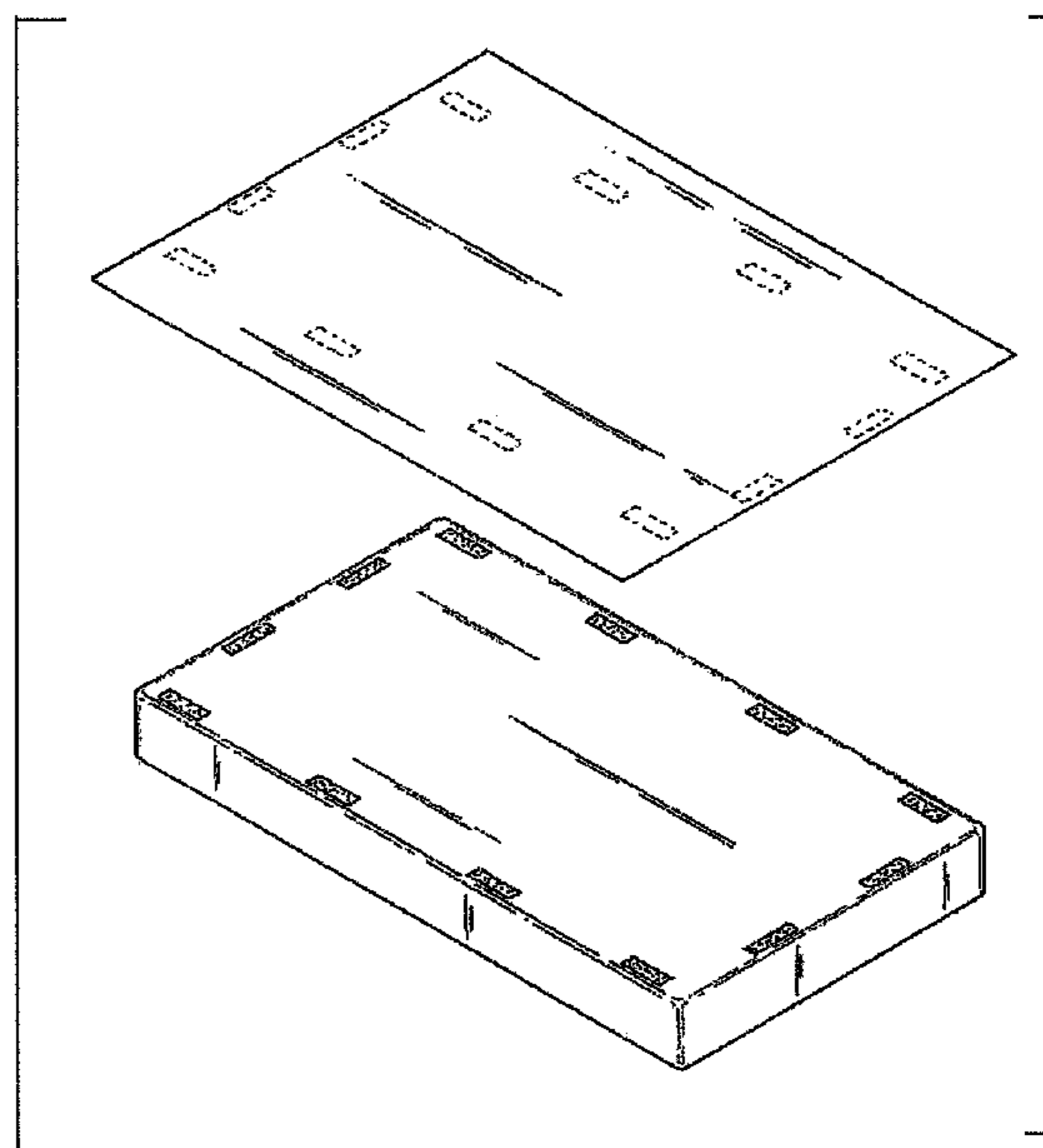
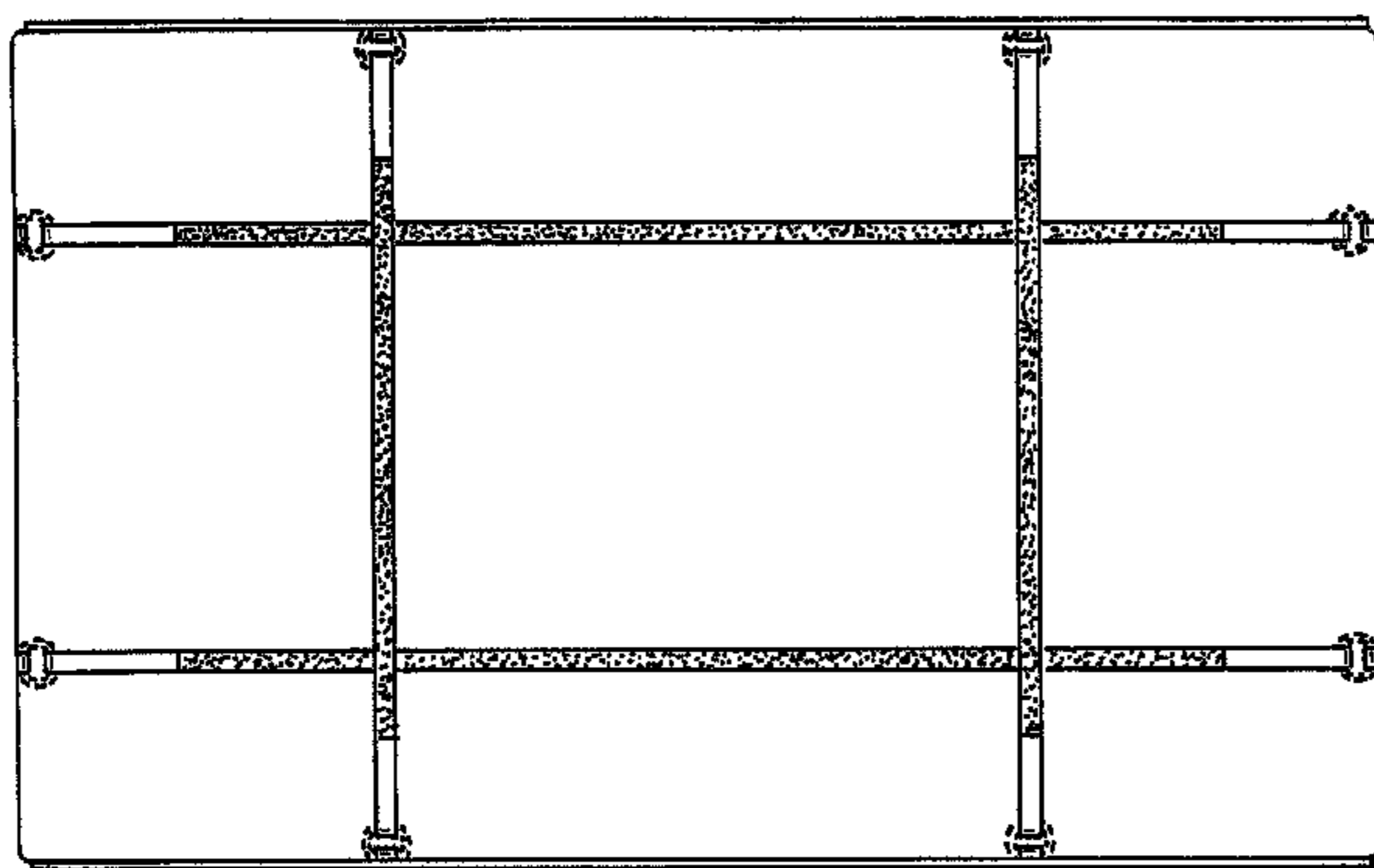


FIG. 1

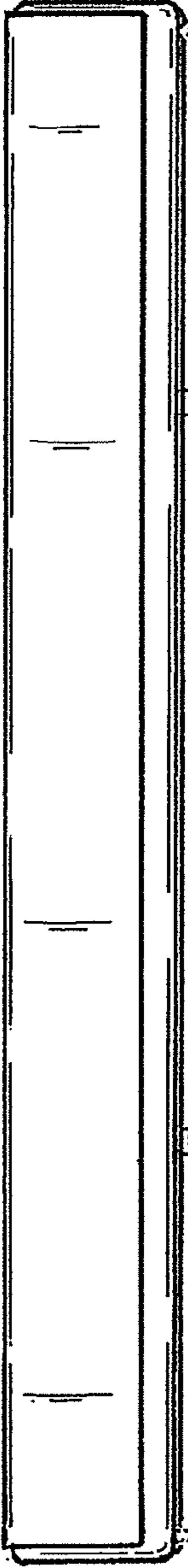


FIG. 2

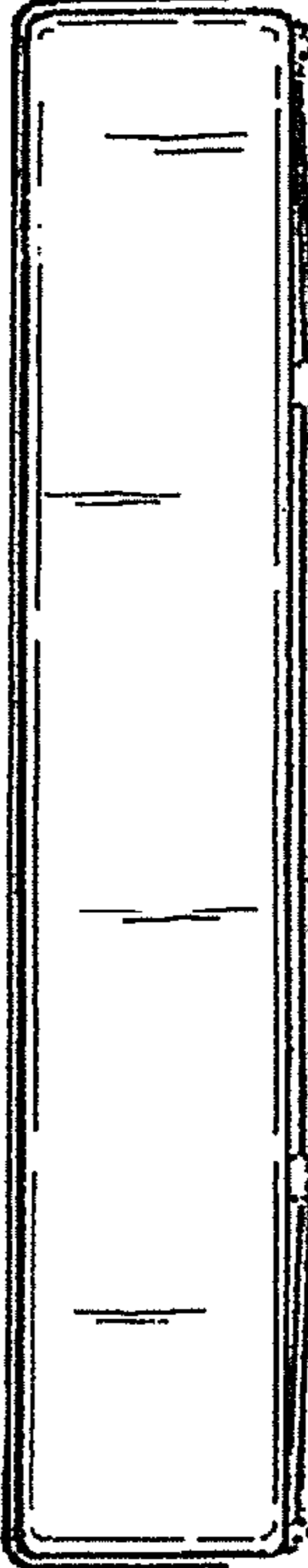
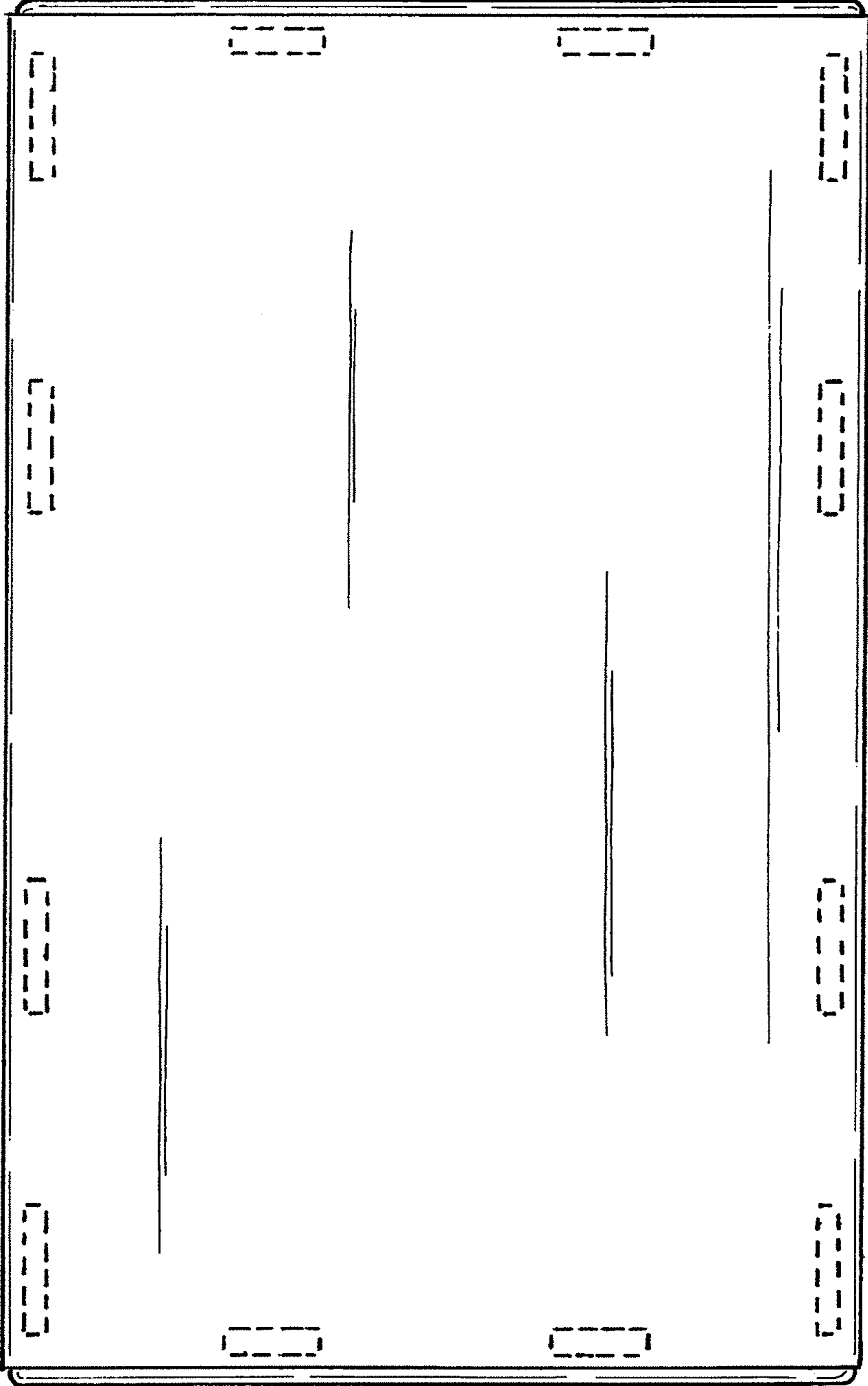


FIG. 3



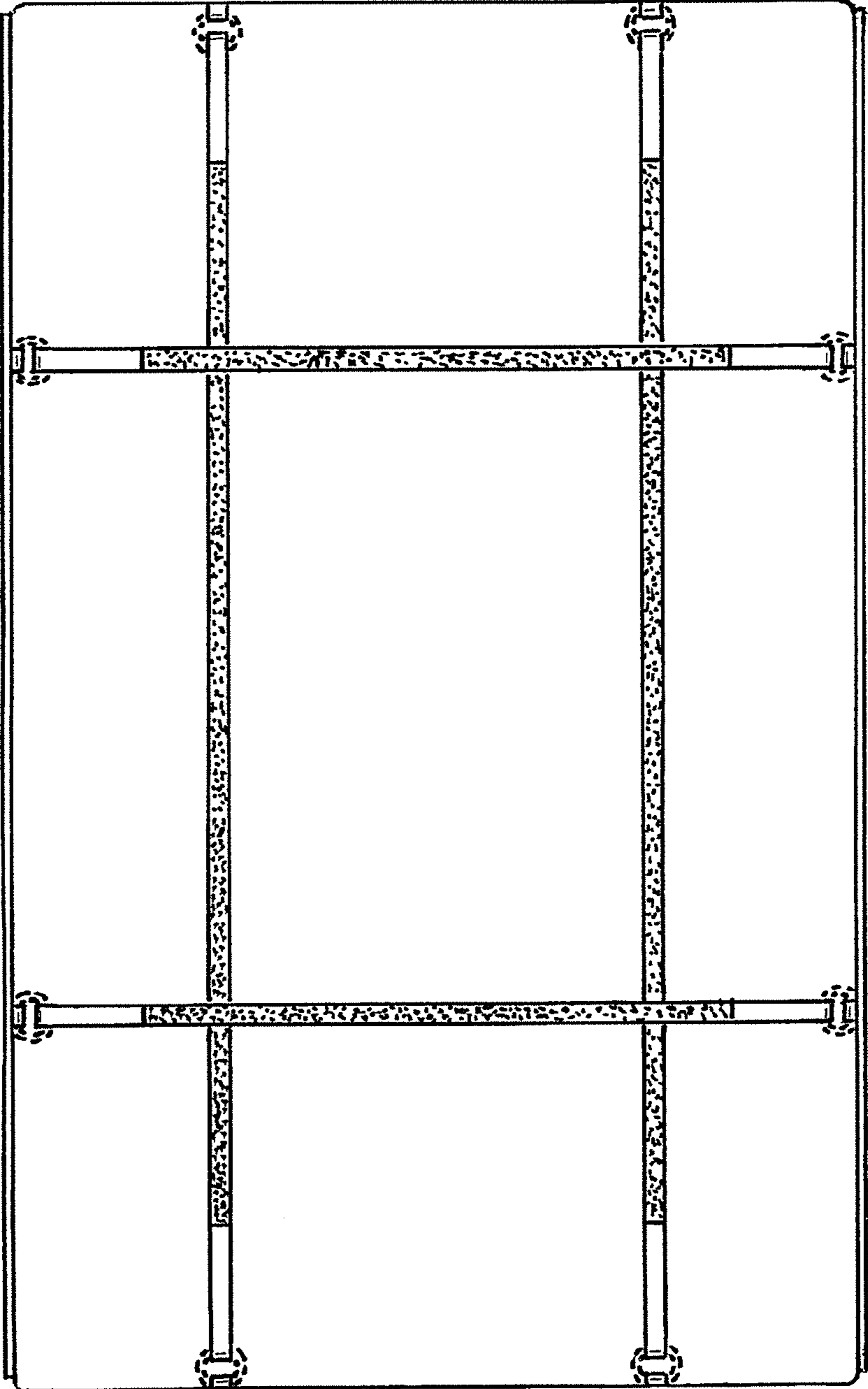


FIG. 4

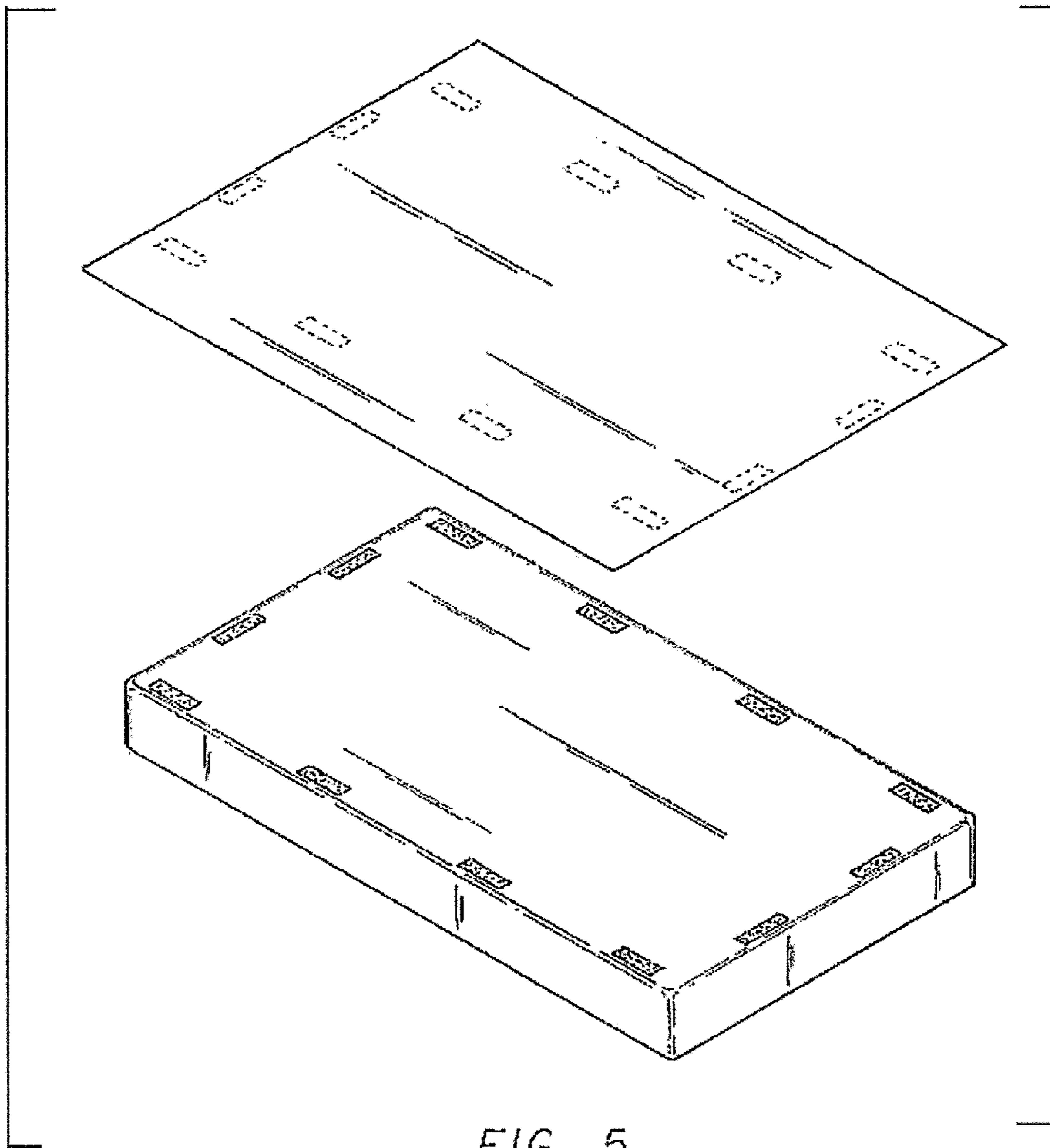


FIG. 5