

US00D692681S

(12) **United States Design Patent**
Robbins et al.

(10) **Patent No.:** **US D692,681 S**
(45) **Date of Patent:** **** Nov. 5, 2013**

(54) **CHILD SWING**

(75) Inventors: **Chad Robbins**, Atlanta, GA (US);
Brandon Seth Cross, Atlanta, GA (US)

(73) Assignee: **Graco Children's Products Inc.**,
Atlanta, GA (US)

(**) Term: **14 Years**

(21) Appl. No.: **29/416,166**

(22) Filed: **Mar. 19, 2012**

(51) **LOC (9) Cl.** **06-01**

(52) **U.S. Cl.**
USPC **D6/347**

(58) **Field of Classification Search**
USPC D6/333, 334, 335, 336, 344, 347, 715,
D6/716, 716.1, 716.2, 716.4; D21/823;
297/250.1, 273, 274, 277; 472/118,
472/119

See application file for complete search history.

(56) **References Cited**

U.S. PATENT DOCUMENTS

5,562,548	A	10/1996	Pinch et al.	
5,803,817	A	9/1998	Stern	
D412,067	S *	7/1999	Wu	D6/344
D461,062	S *	8/2002	Wu	D6/344
D660,026	S *	5/2012	Shi	D6/347
8,439,765	B2 *	5/2013	Barron et al.	472/118
2002/0052245	A1 *	5/2002	Flannery et al.	472/119
2004/0198514	A1 *	10/2004	Armbruster et al.	472/118
2005/0143181	A1 *	6/2005	Armbruster et al.	472/118
2006/0128486	A1 *	6/2006	Tuckey	472/119
2006/0252566	A1 *	11/2006	Gibree	472/118
2009/0033133	A1 *	2/2009	Barron et al.	297/274

OTHER PUBLICATIONS

Fisher-Price Swing N Rocker V3394/W0386 Instruction Manual; 24 pages; (2010).

Fisher-Price Cradle and Swing P0097 Instruction Manual; 24 pages; (2008).

* cited by examiner

Primary Examiner — Mimoso De

(74) *Attorney, Agent, or Firm* — Lempia Summerfield Katz LLC

(57) **CLAIM**

The ornamental design for a "child swing", as shown and described.

DESCRIPTION

FIG. 1 is a top, front, and left side perspective view showing our new design for a child swing.

FIG. 2 is a front view of the child swing shown in FIG. 1.

FIG. 3 is a left side view of the child swing shown in FIG. 1.

FIG. 4 is a right side view of the child swing shown in FIG. 1.

FIG. 5 is a rear view of the child swing shown in FIG. 1.

FIG. 6 is a top view of the child swing shown in FIG. 1.

FIG. 7 is a bottom view of the child swing shown in FIG. 1.

FIG. 8 is a top, front, and left side perspective view showing an alternate embodiment of our new design for a child swing.

FIG. 9 is front view of the child swing shown in FIG. 8.

FIG. 10 is a left side view of the child swing shown in FIG. 8.

FIG. 11 is a right side of the child swing shown in FIG. 8.

FIG. 12 is a rear view of the child swing shown in FIG. 8.

FIG. 13 is a top view of the child swing shown in FIG. 8; and,

FIG. 14 is a bottom view of the child swing shown in FIG. 8.

The subject matter shown in dashed lines is for illustrative purposes and forms no part of the claimed design.

1 Claim, 14 Drawing Sheets

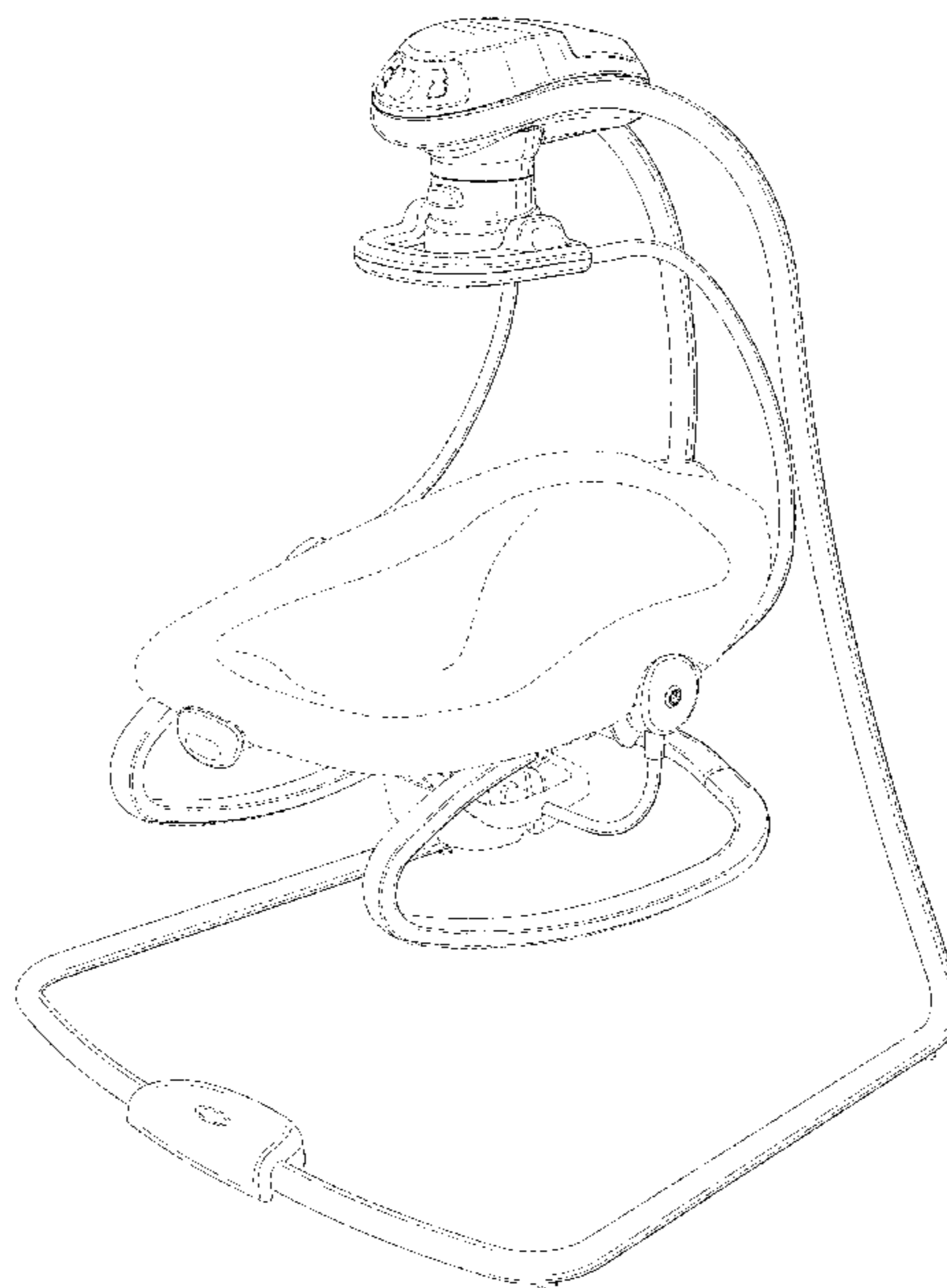


FIG. 1

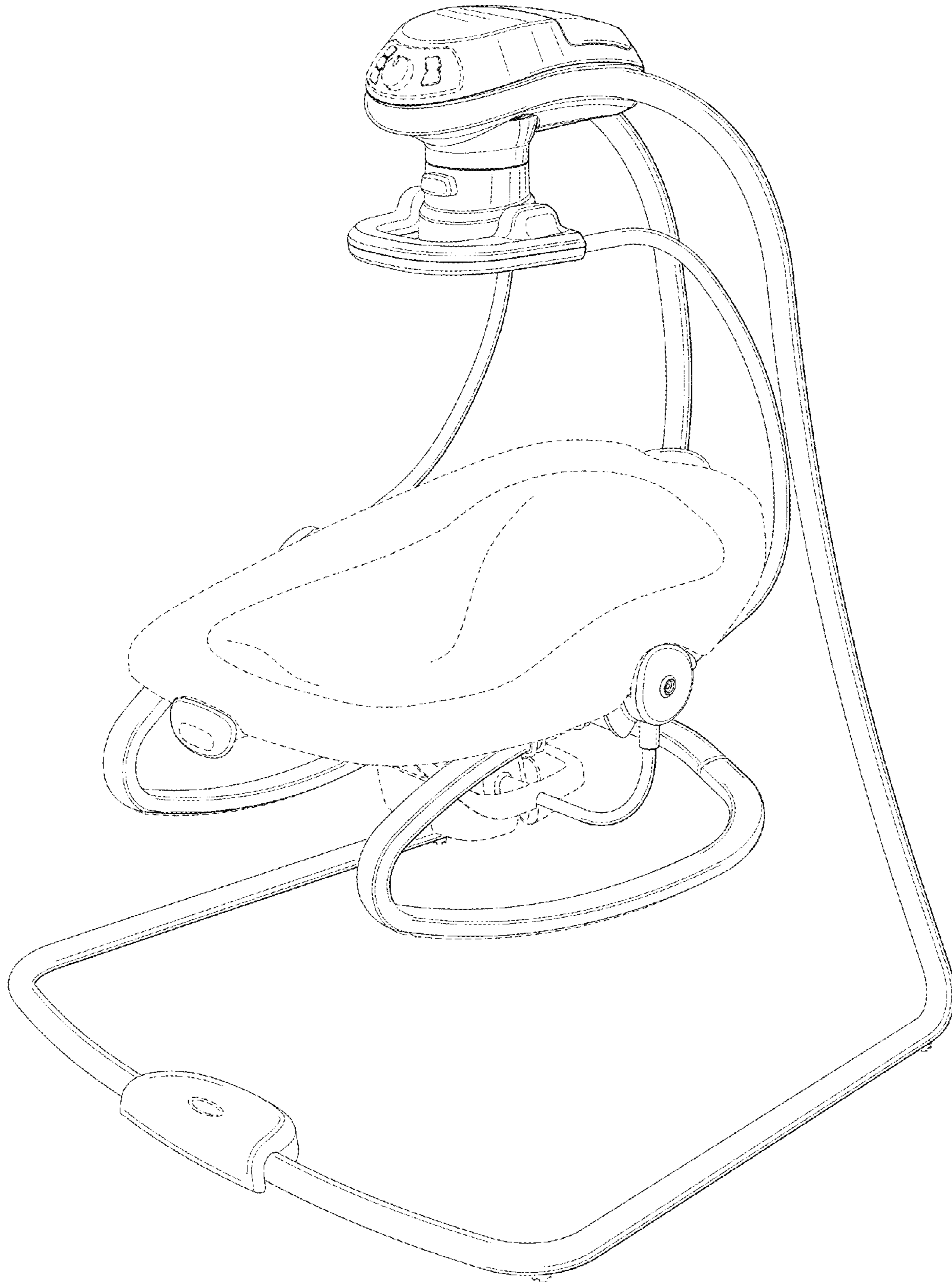


FIG. 2

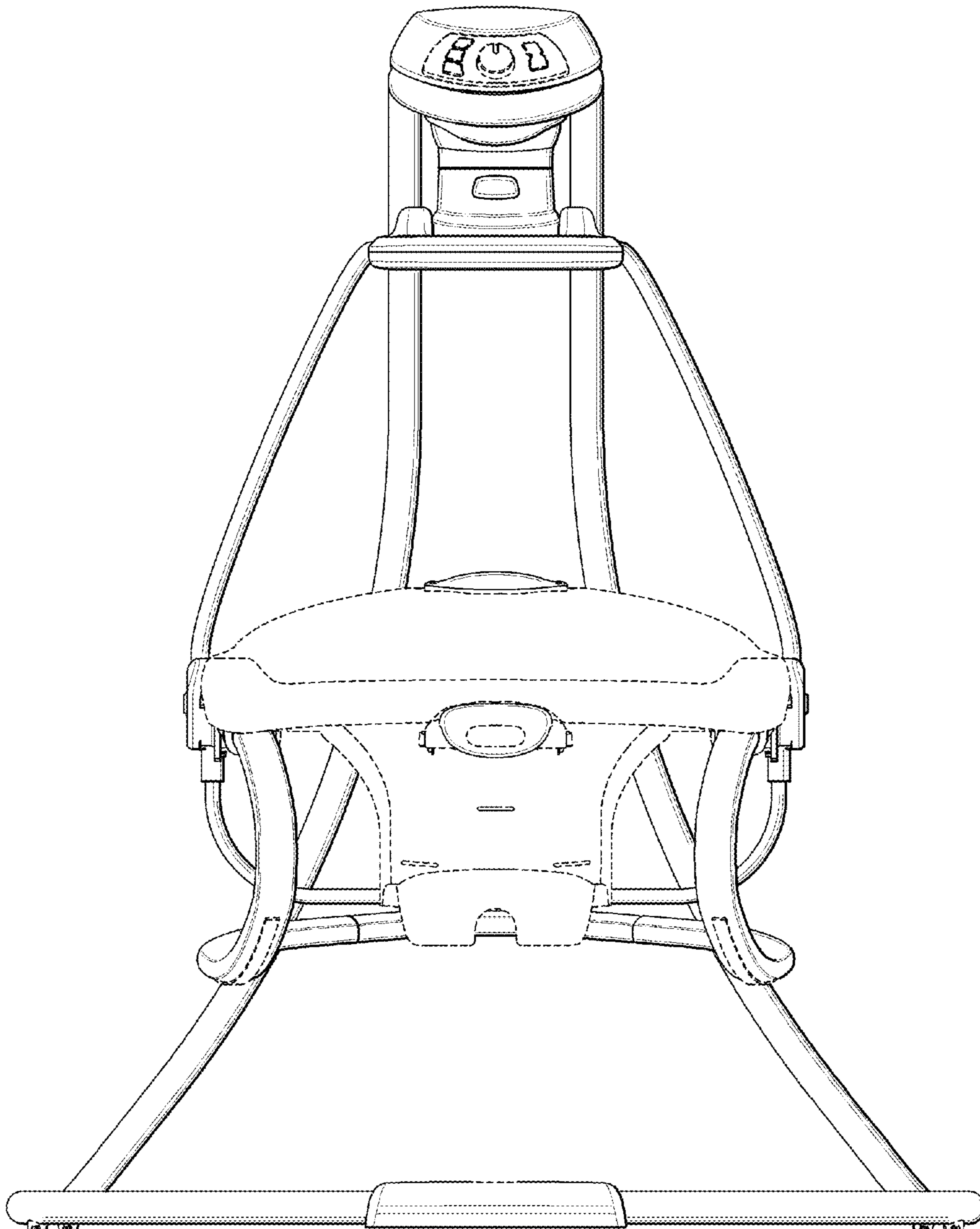


FIG. 3

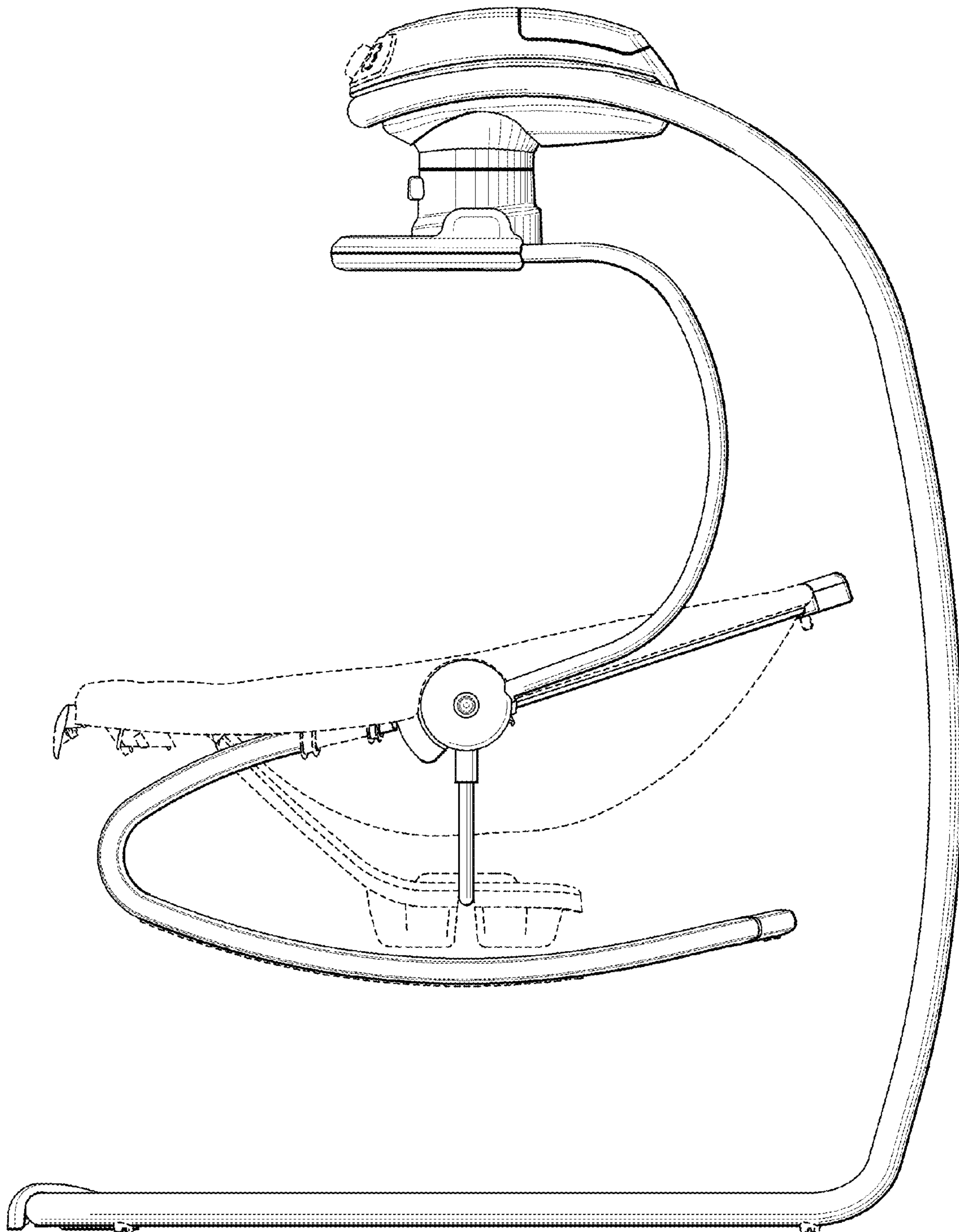


FIG. 4

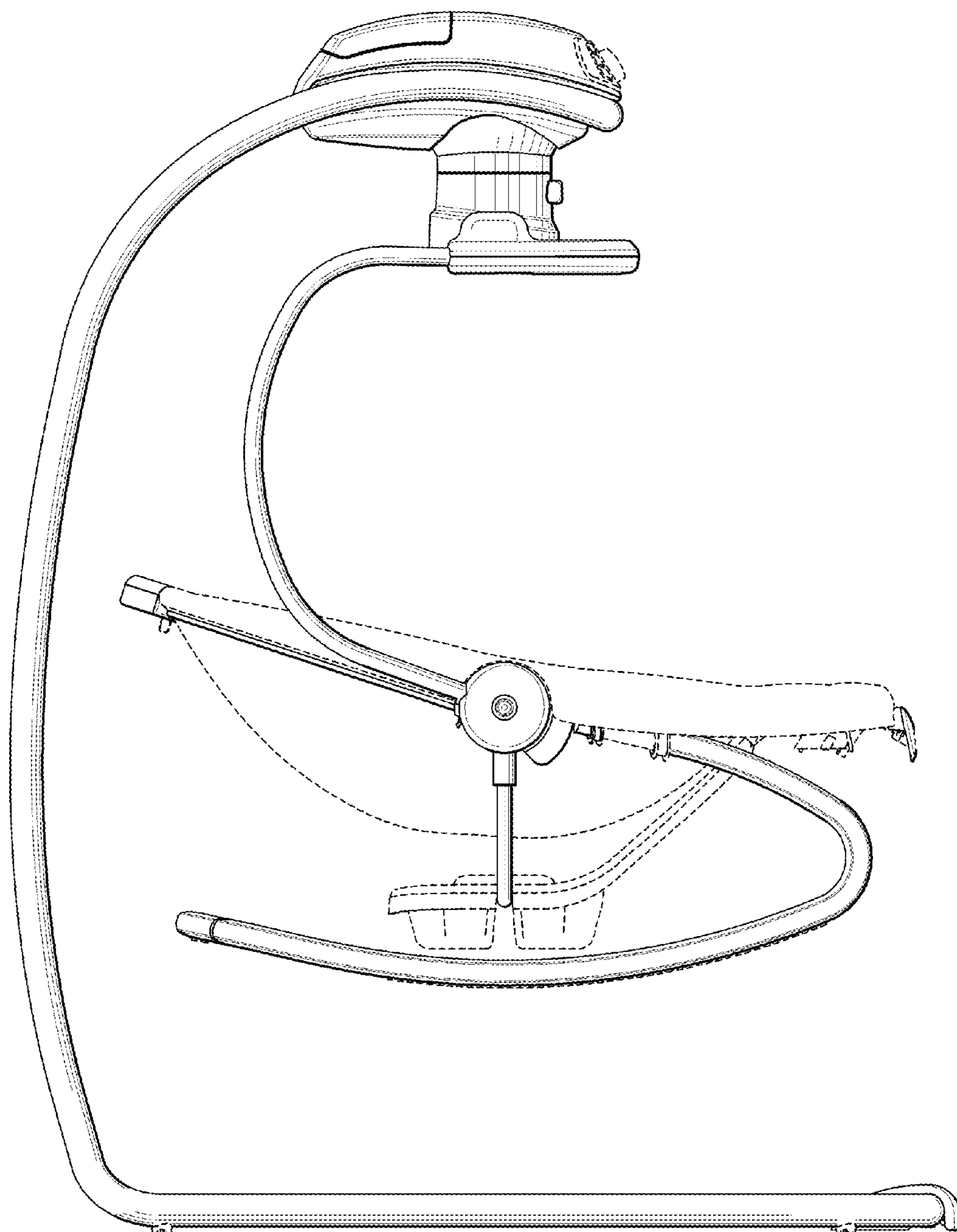


FIG. 5

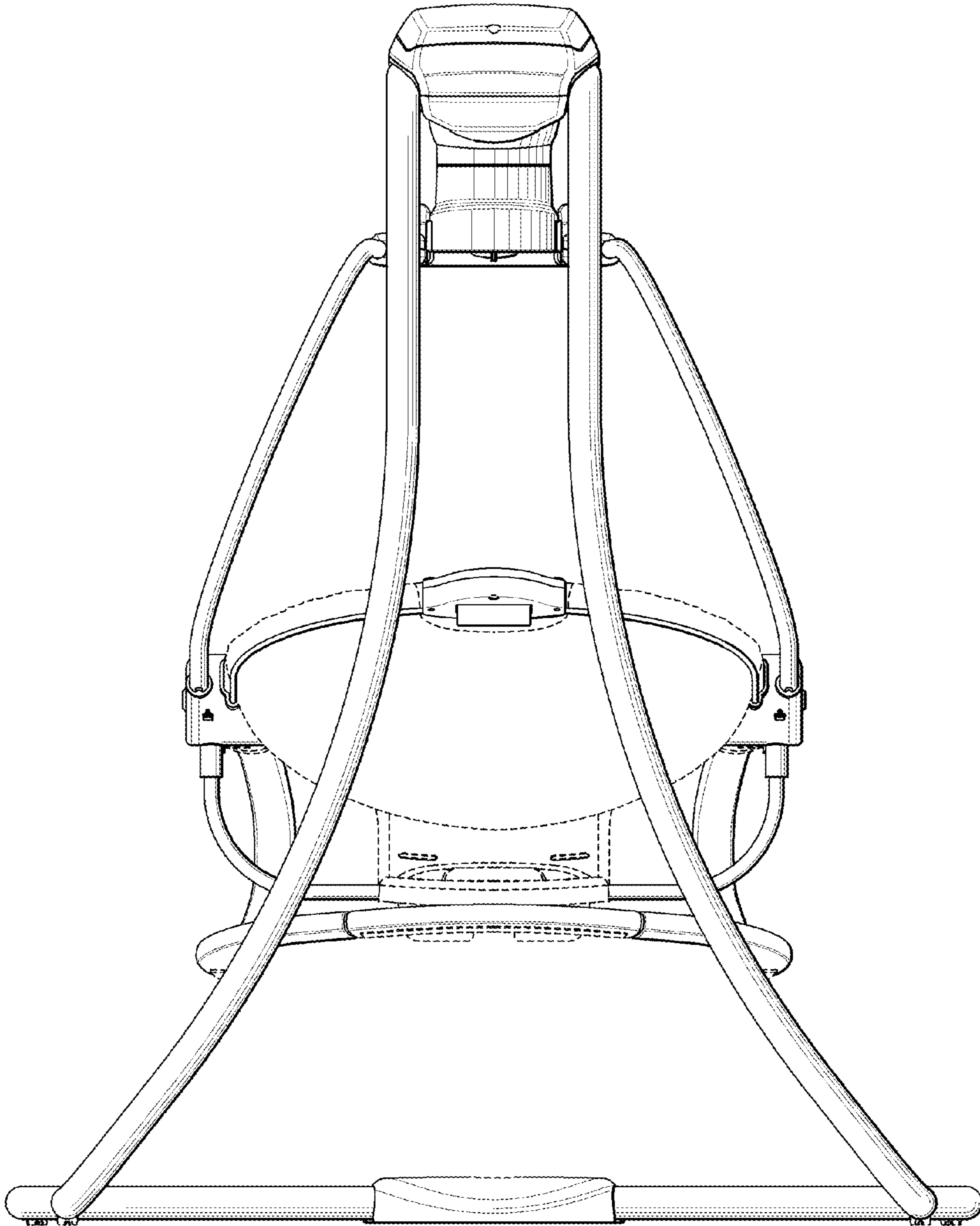


FIG. 6

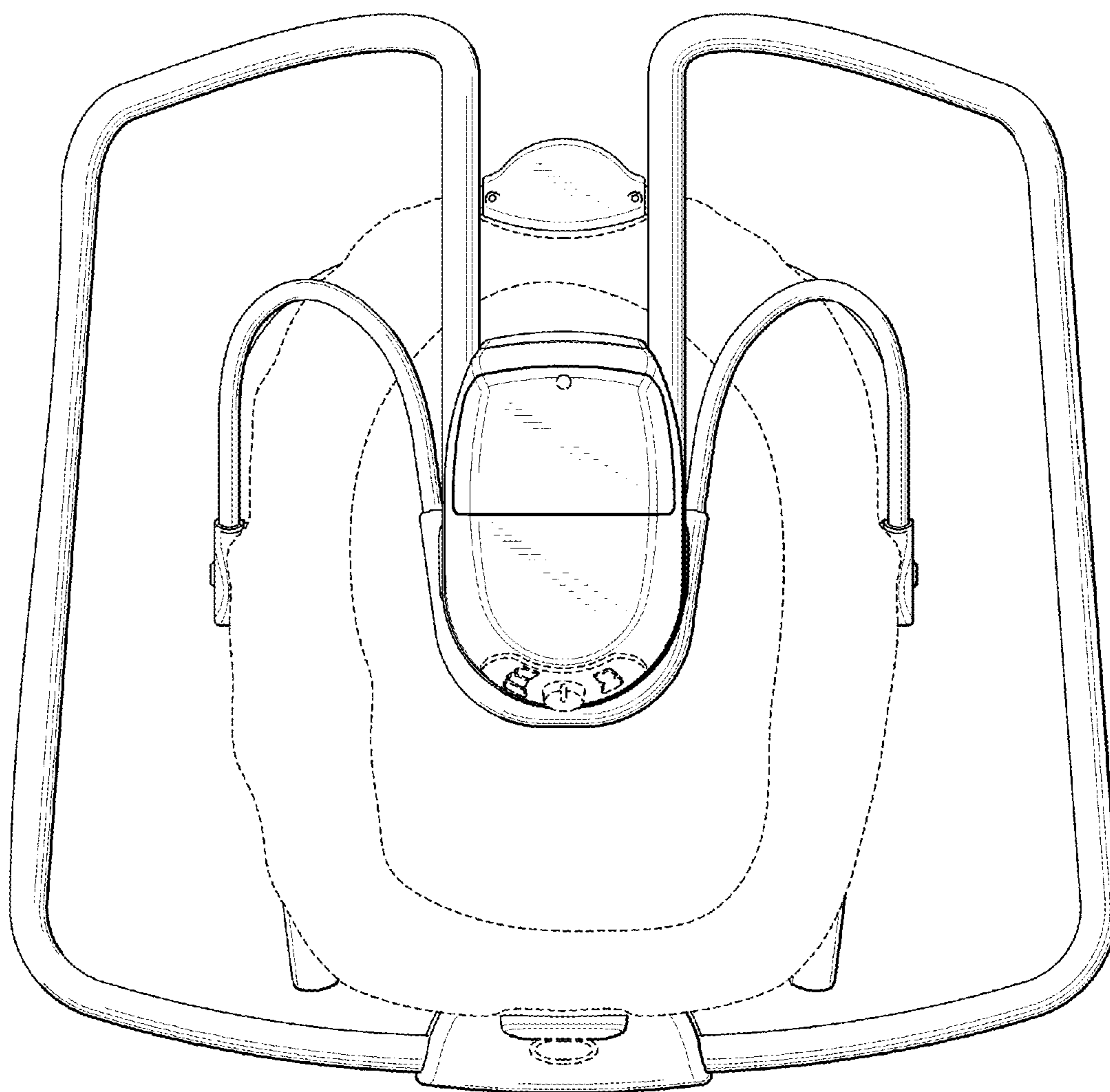


FIG. 7

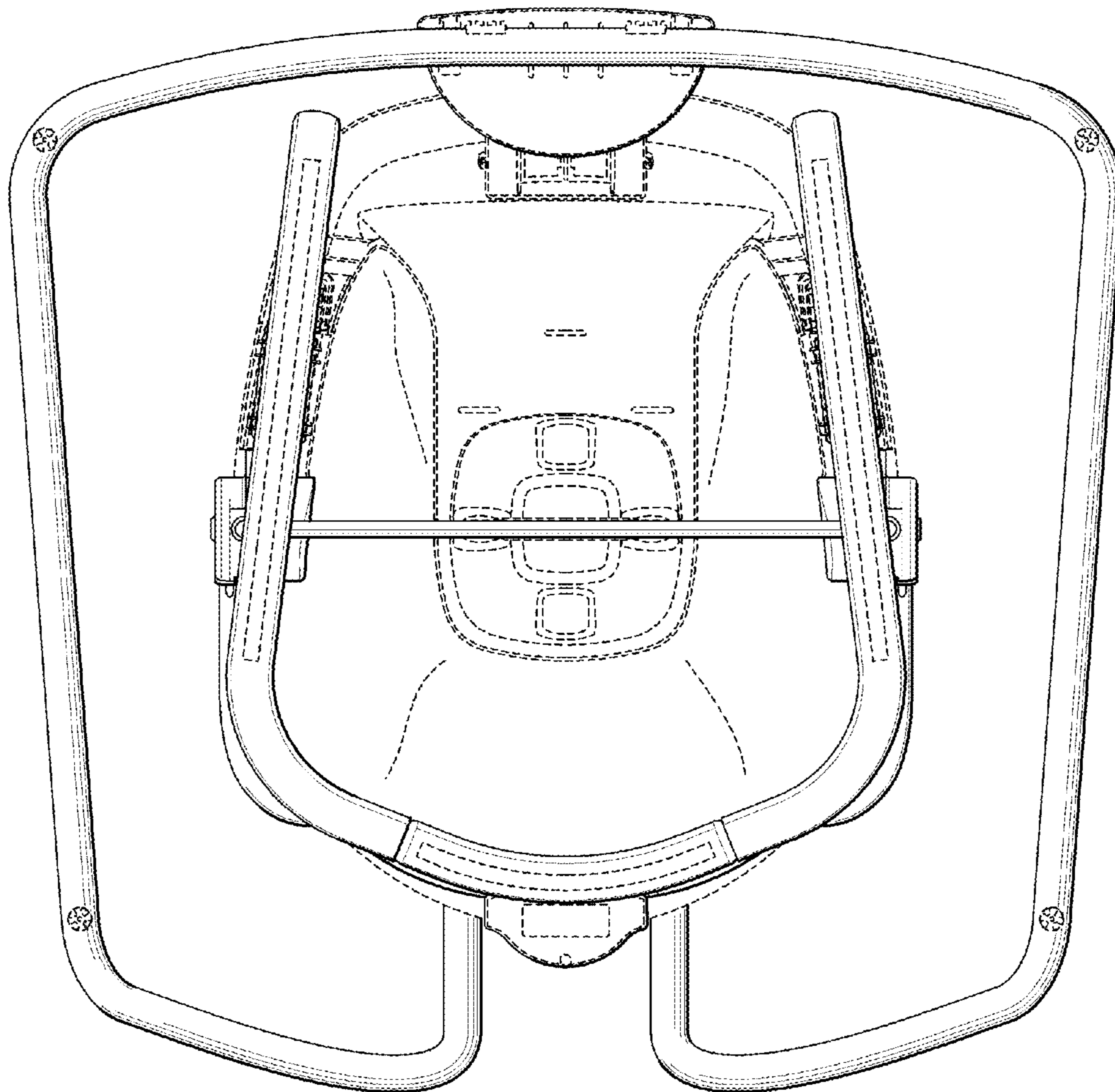


FIG. 8

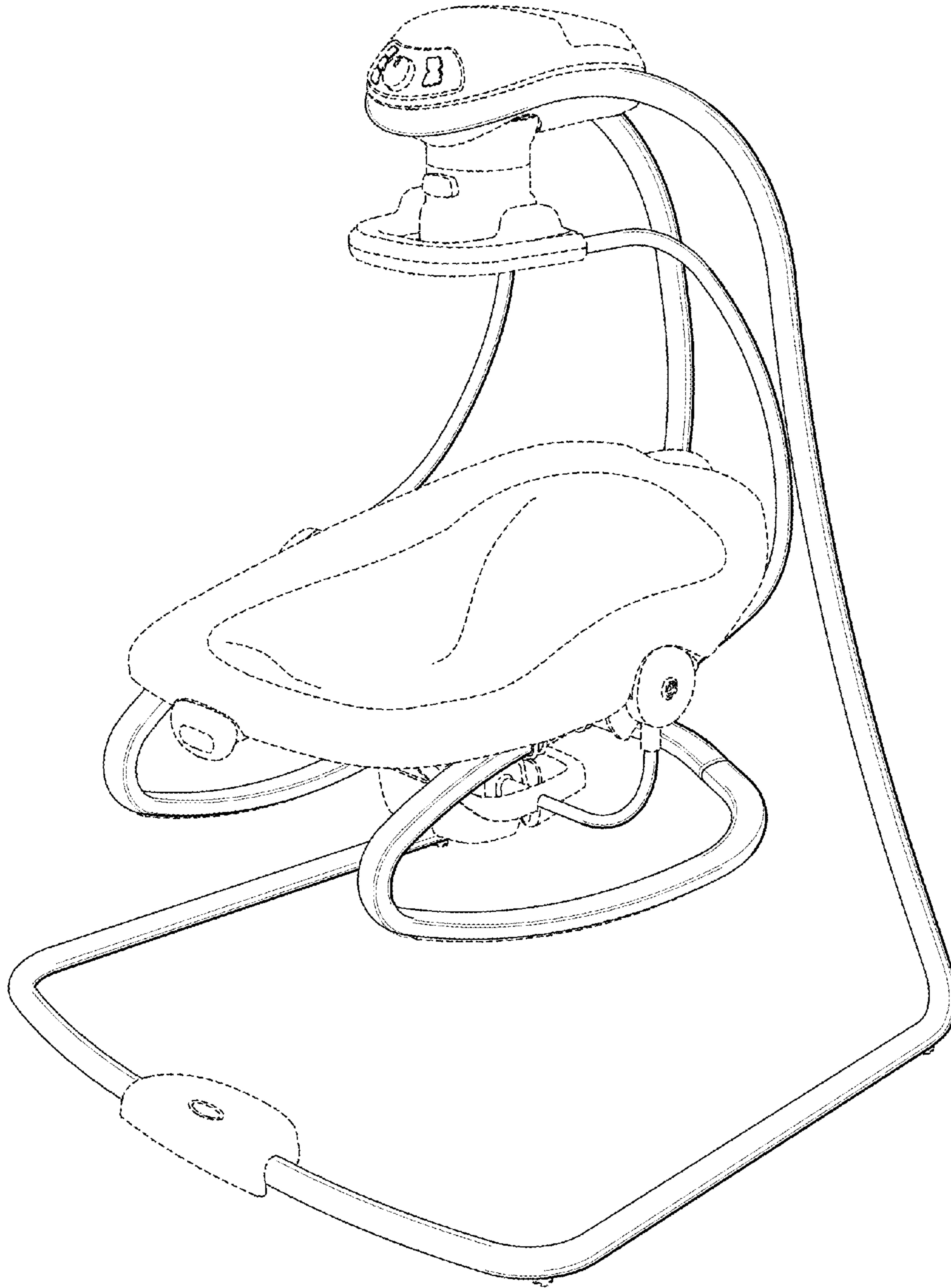


FIG. 9

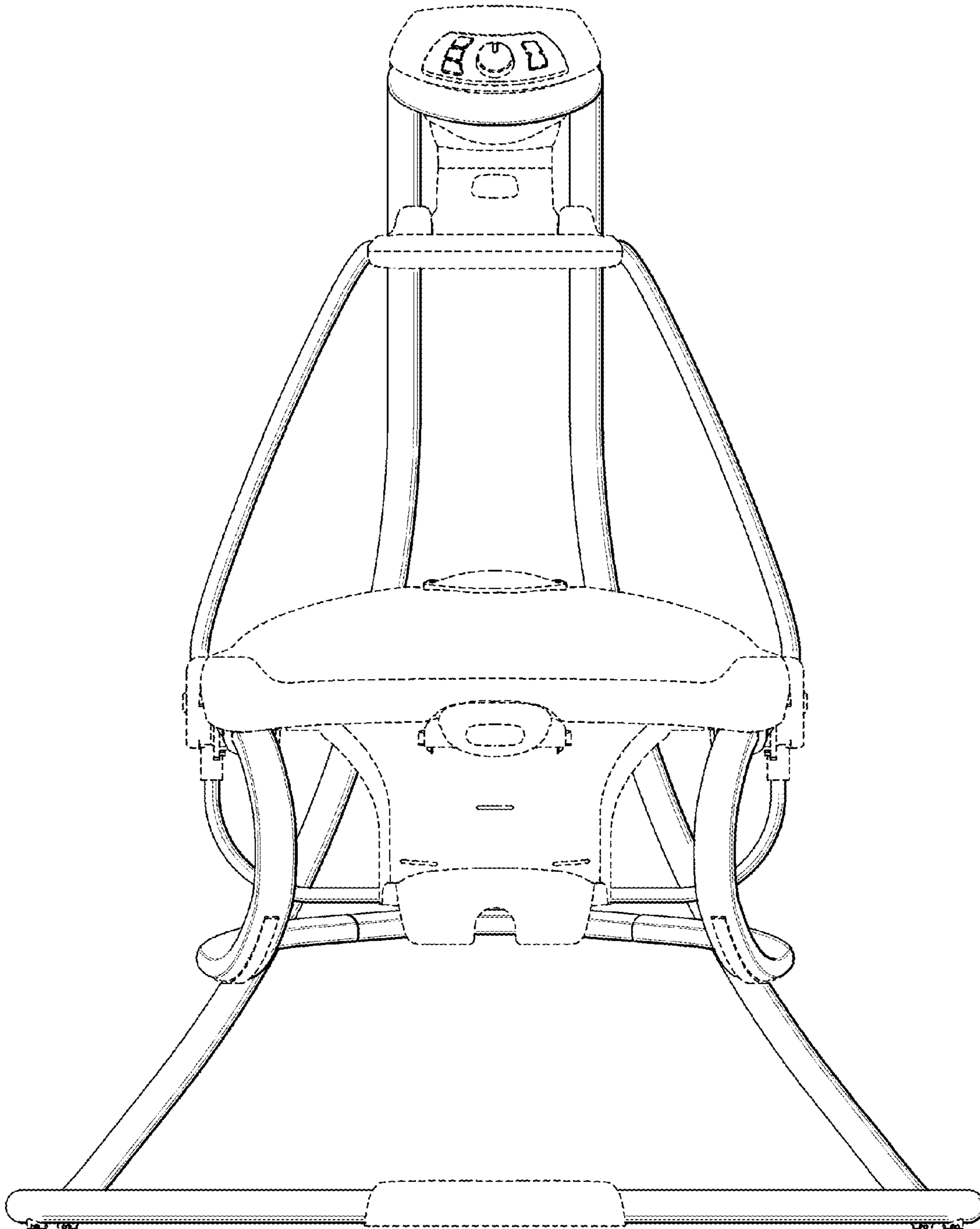


FIG. 10

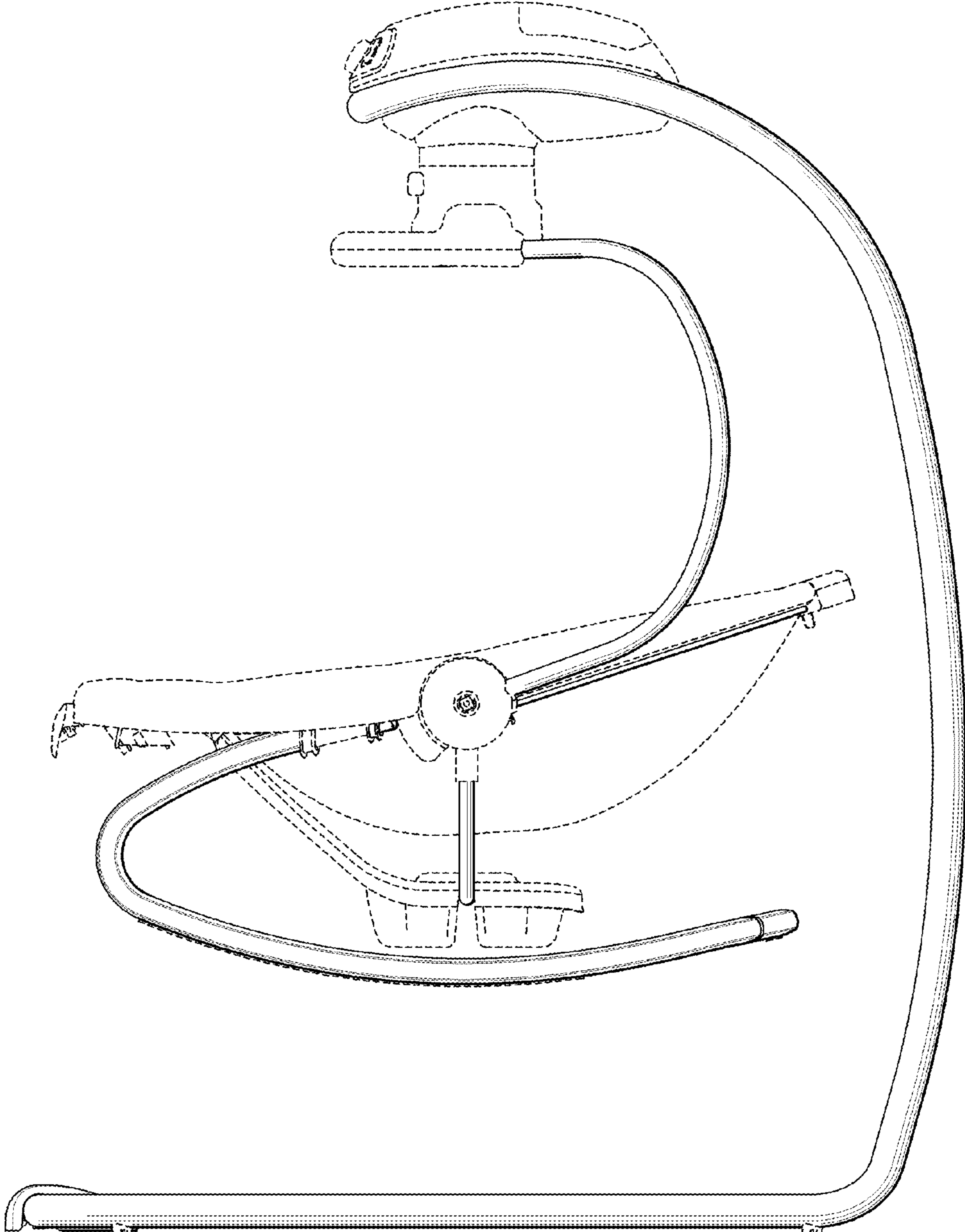


FIG. 11

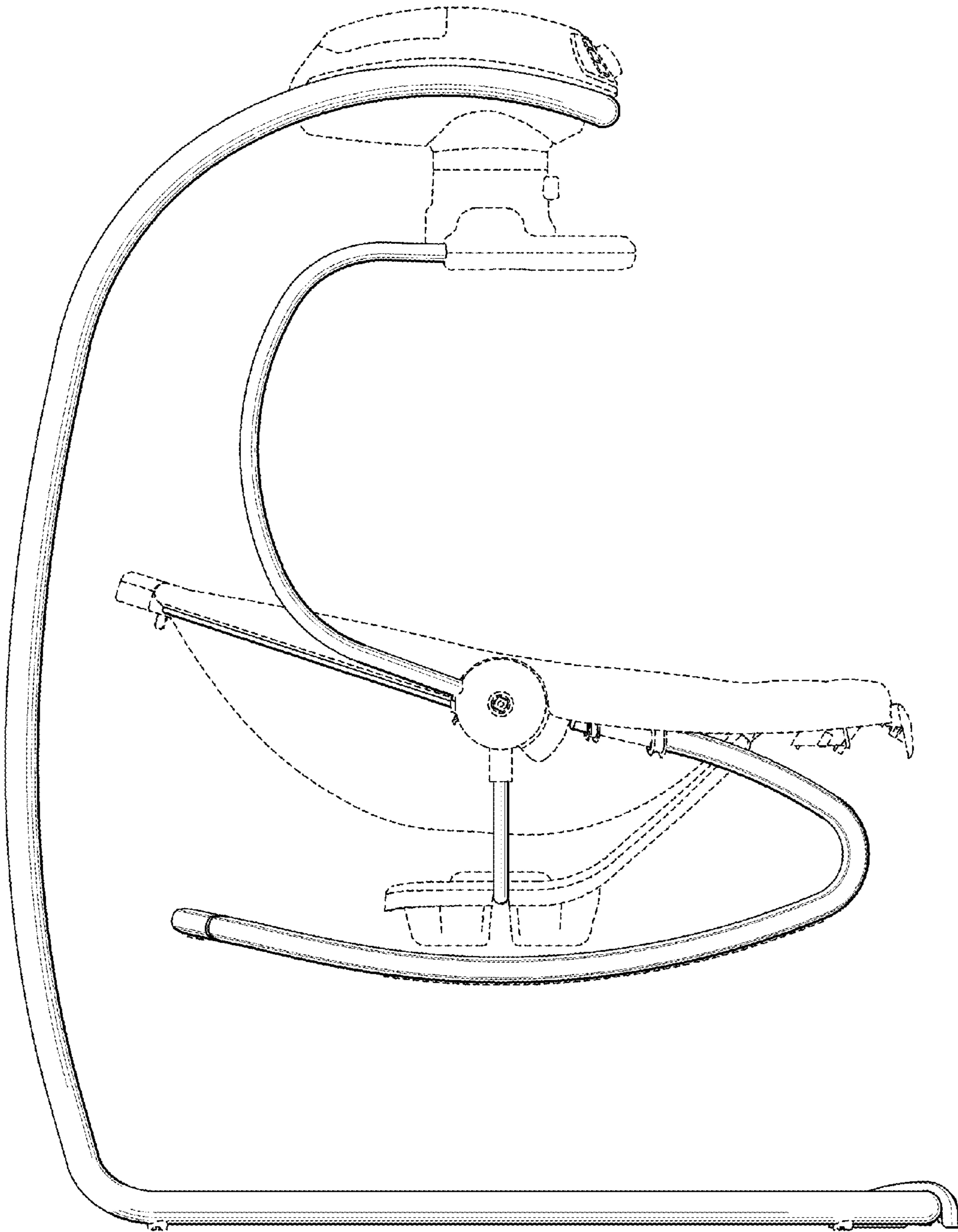


FIG. 12

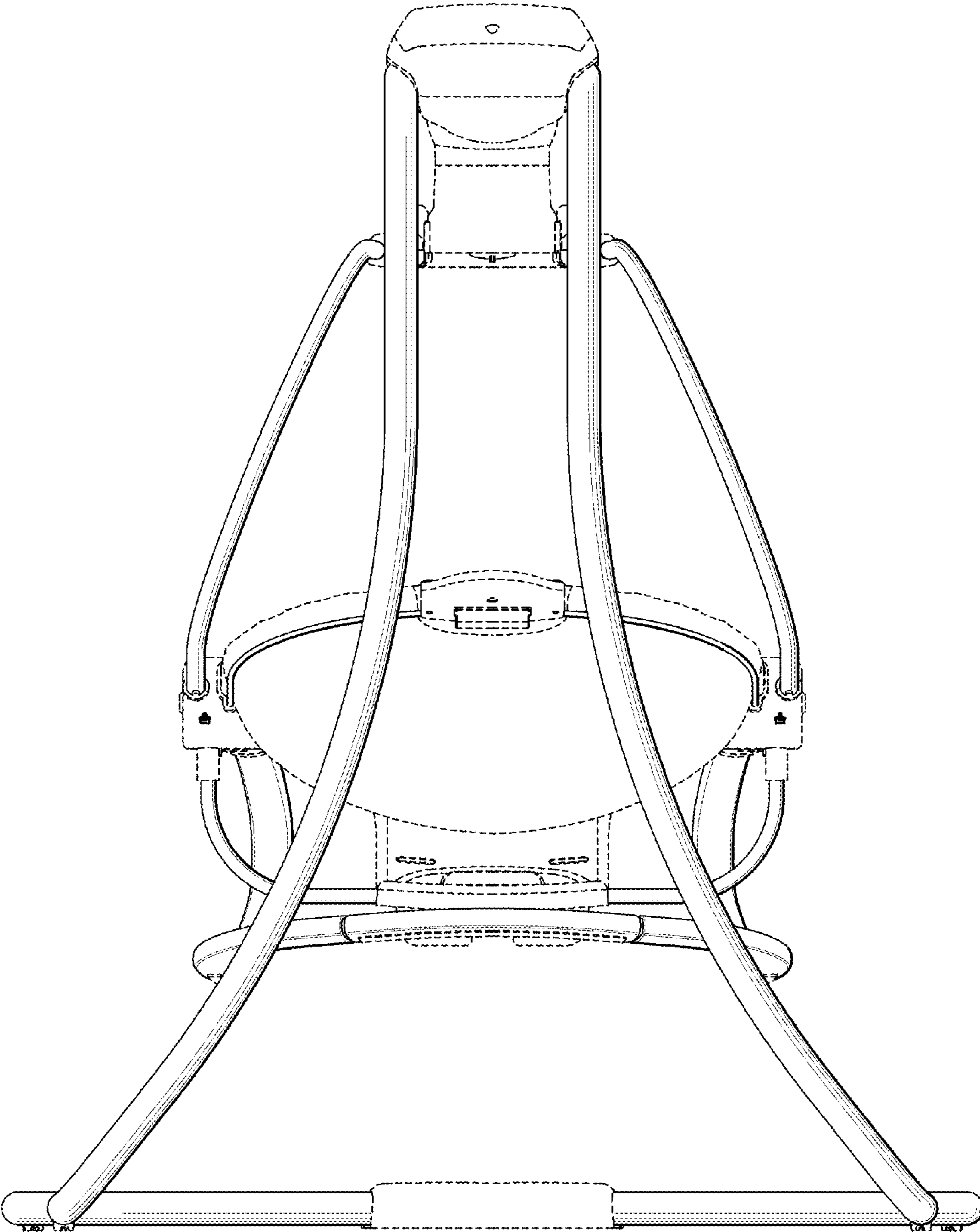


FIG. 13

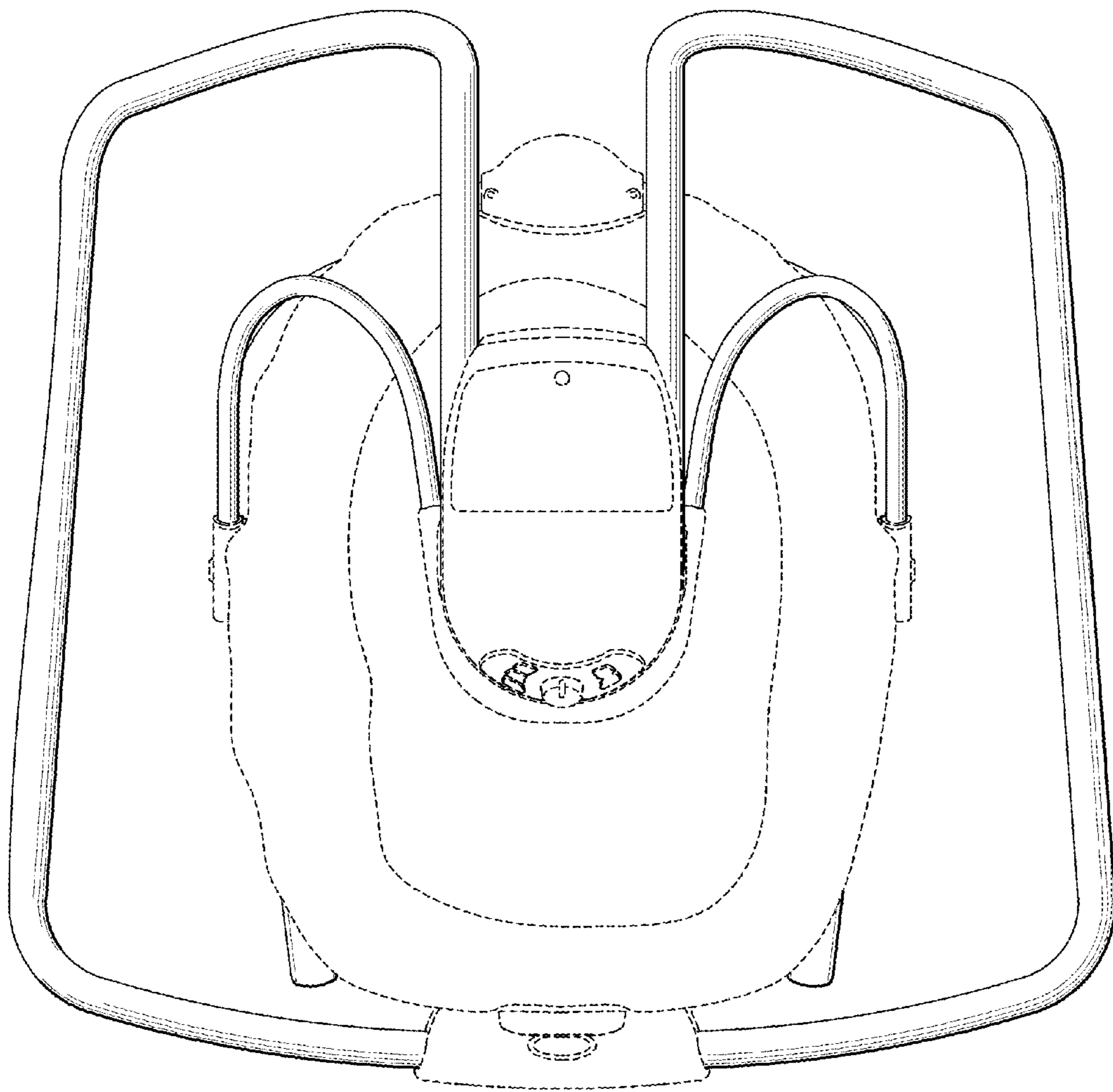


FIG. 14

