



US00D692680S

(12) **United States Design Patent**
Bergkvist et al.

(10) **Patent No.:** **US D692,680 S**

(45) **Date of Patent:** **** Nov. 5, 2013**

(54) **BABY BOUNCER**

(71) Applicants: **Hakan Bergkvist**, Bromma (SE); **Lisen Elmbert**, Stockholm (SE); **Marten Andren**, Spanga (SE); **Ulrika Vejbrink**, Hagersten (SE)

(72) Inventors: **Hakan Bergkvist**, Bromma (SE); **Lisen Elmbert**, Stockholm (SE); **Marten Andren**, Spanga (SE); **Ulrika Vejbrink**, Hagersten (SE)

(73) Assignee: **BabyBjörn AB**, Solna (SE)

(**) Term: **14 Years**

(21) Appl. No.: **29/436,336**

(22) Filed: **Nov. 5, 2012**

(30) **Foreign Application Priority Data**

May 31, 2012 (EP) 002050559-0002

(51) **LOC (9) Cl.** **06-01**

(52) **U.S. Cl.**
USPC **D6/344**

(58) **Field of Classification Search**
USPC D6/333, 334, 335, 336, 344, 348, 715,
D6/716, 716.1, 716.2, 716.4; D21/412;
297/250.1, 258.1, 260.1, 296, 354.12,
297/354.13, 440.11, 452.13

See application file for complete search history.

(56) **References Cited**

U.S. PATENT DOCUMENTS

D282,791	S	*	3/1986	Lockett et al.	D6/333
5,203,611	A	*	4/1993	Greenwood	297/440.11
5,207,478	A	*	5/1993	Freese et al.	297/296
5,269,591	A	*	12/1993	Miga et al.	297/452.13
5,308,143	A	*	5/1994	Cheng et al.	297/440.11
5,360,258	A	*	11/1994	Alvizatos	297/440.11
5,451,095	A	*	9/1995	Riback	297/354.12
5,503,458	A	*	4/1996	Petrie	297/452.13
5,868,459	A	*	2/1999	Welsh, Jr.	297/258.1
D560,374	S	*	1/2008	Bergkvist	D6/333
2006/0181123	A1	*	8/2006	Gibree	297/250.1

* cited by examiner

Primary Examiner — Mimosa De

(74) *Attorney, Agent, or Firm* — Jacobson Holman PLLC

(57) **CLAIM**

The ornamental design for a baby bouncer, as shown and described.

DESCRIPTION

FIG. 1 is a perspective view showing our new design for a baby bouncer,

FIG. 2 is a front view thereof,

FIG. 3 is a rear thereof,

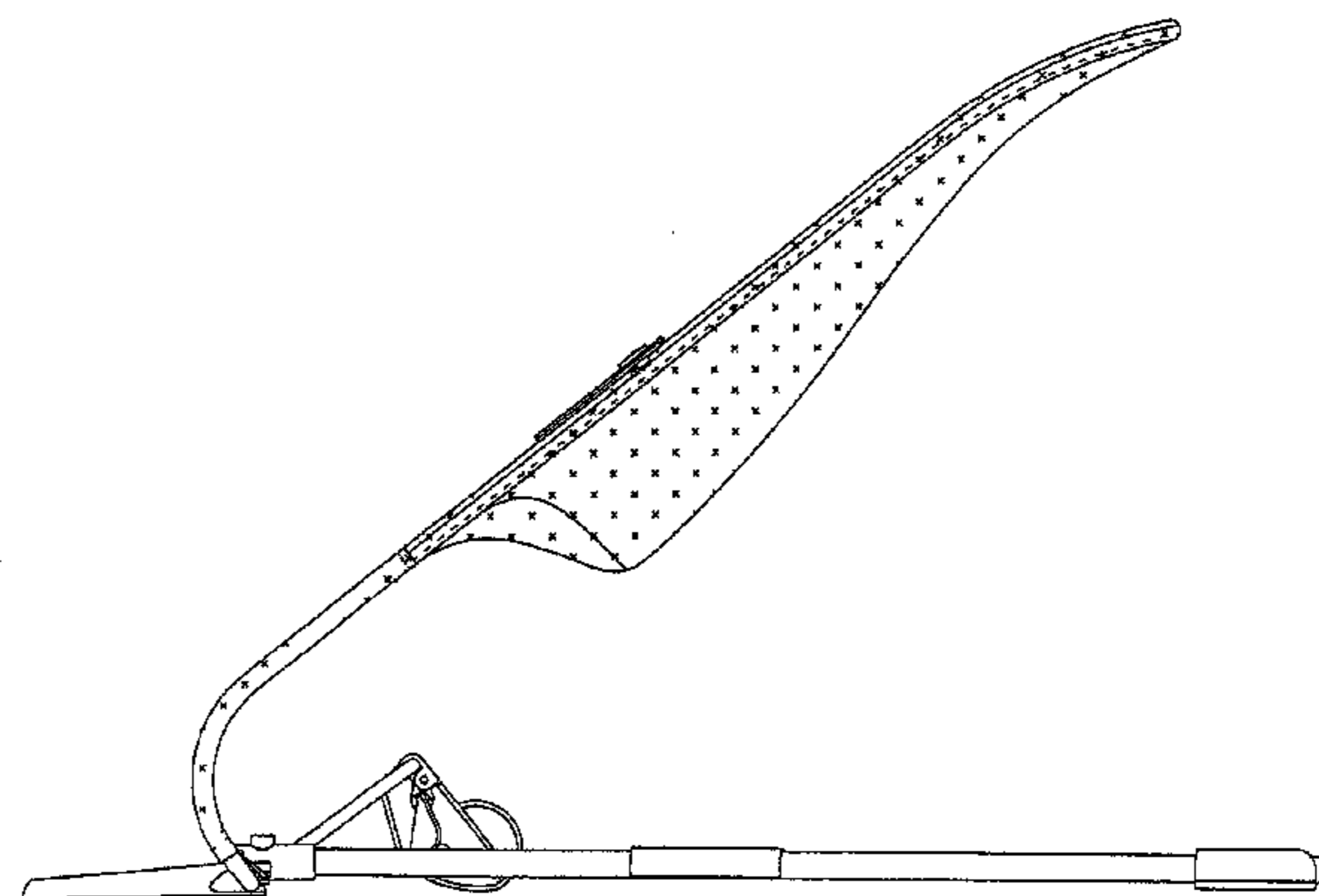
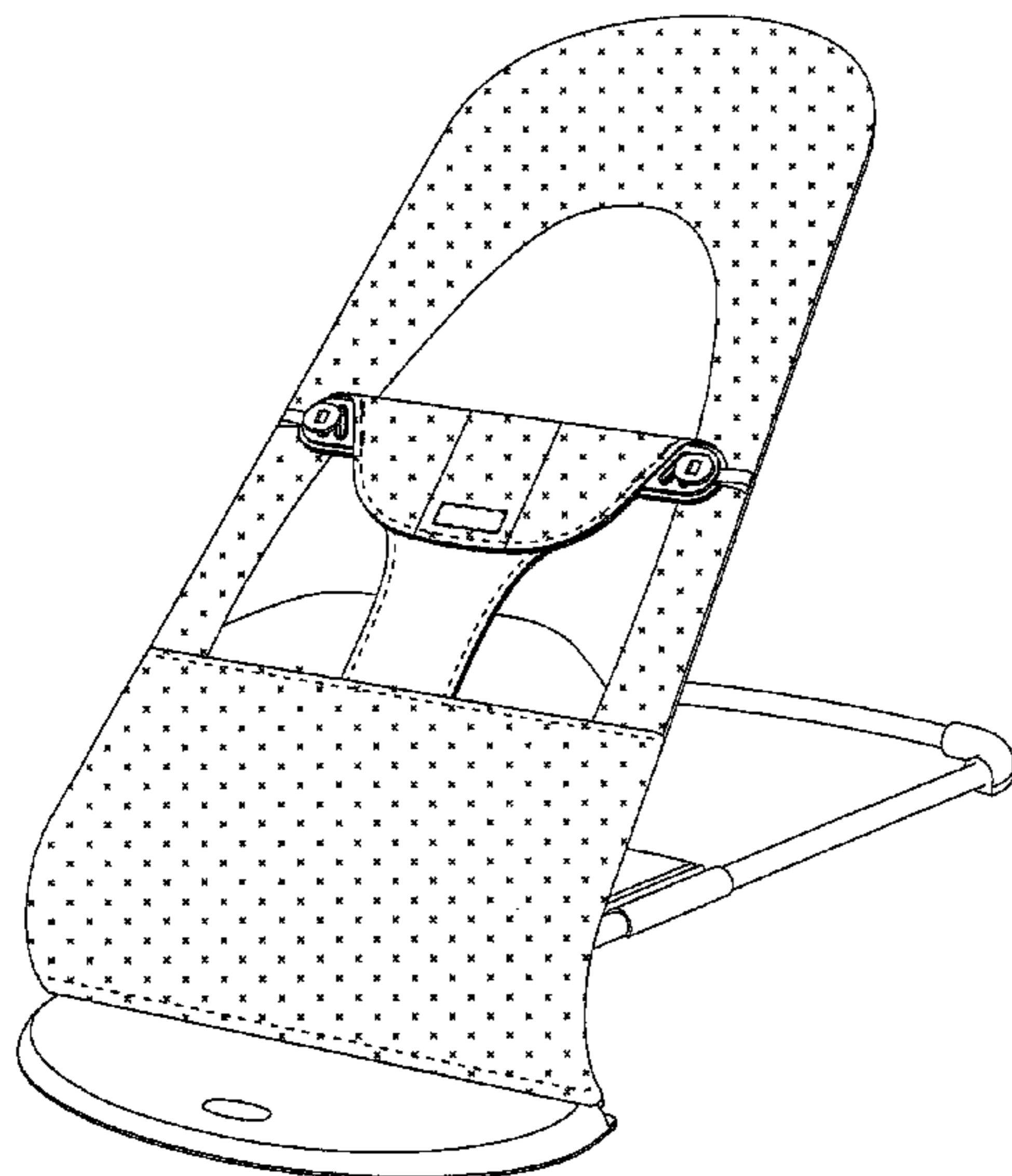
FIG. 4 is a left side view thereof,

FIG. 5 is a right side view thereof,

FIG. 6 is a bottom view thereof; and,

FIG. 7 is a top view thereof.

1 Claim, 7 Drawing Sheets



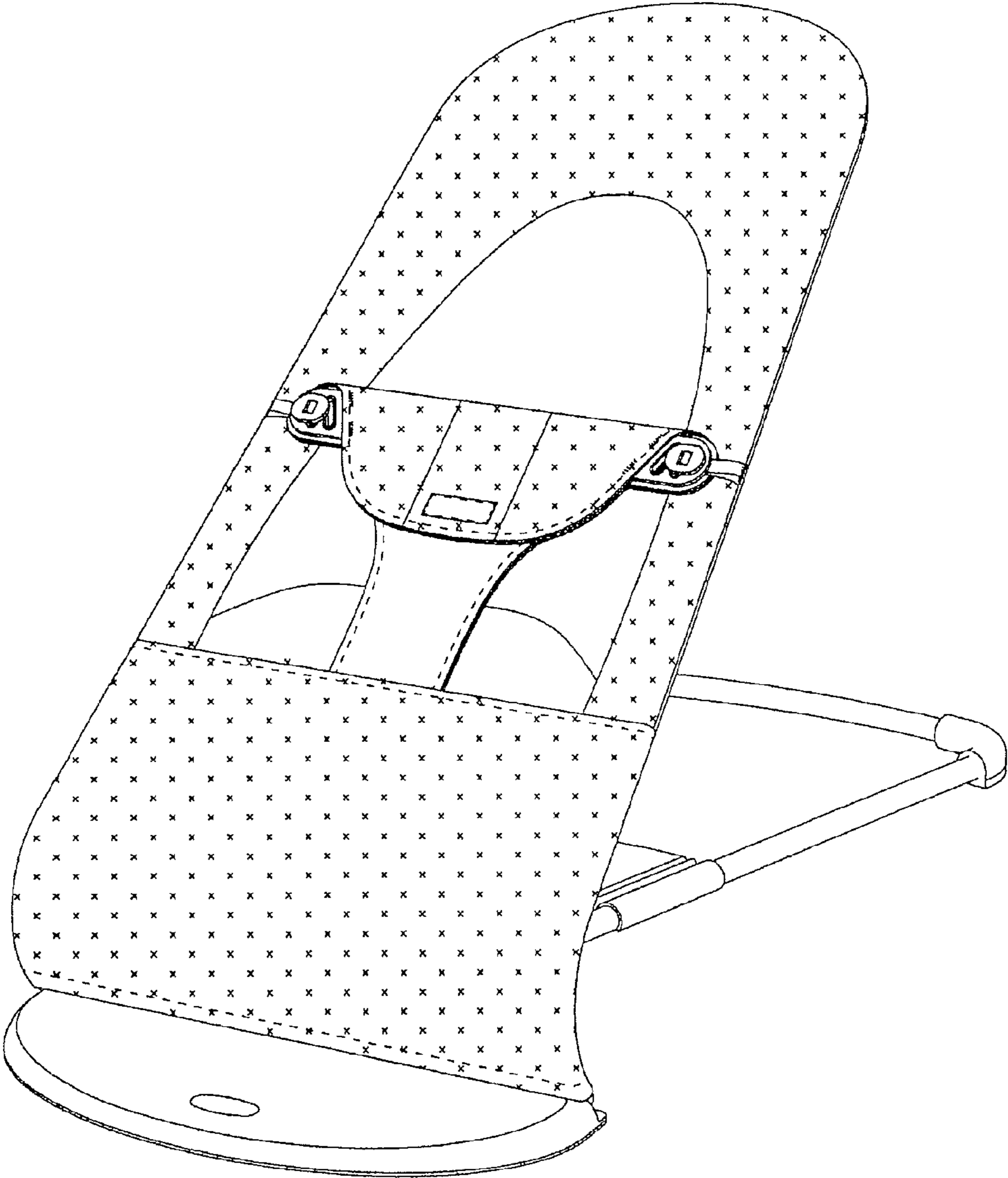


FIG. 1

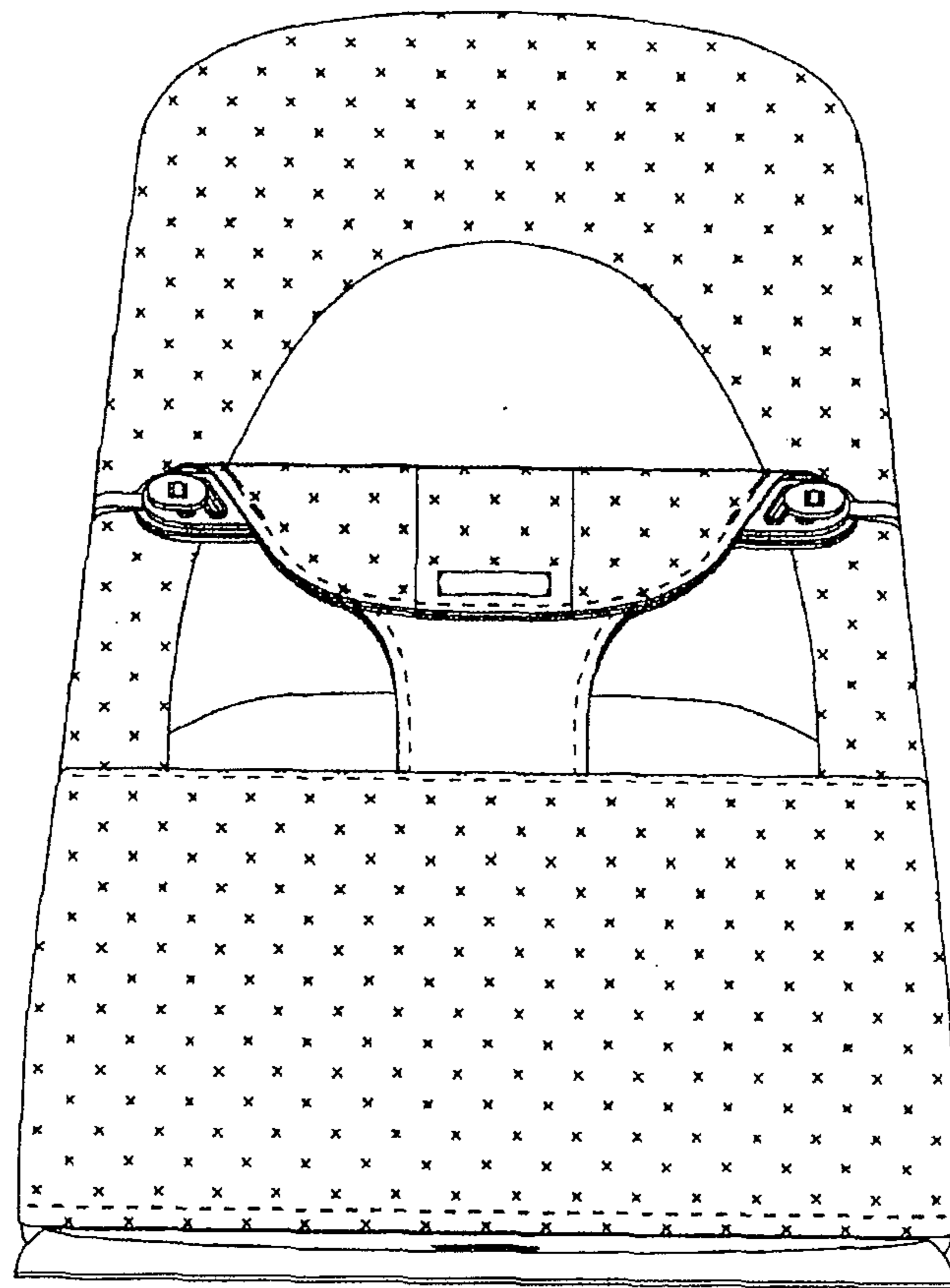


FIG. 2

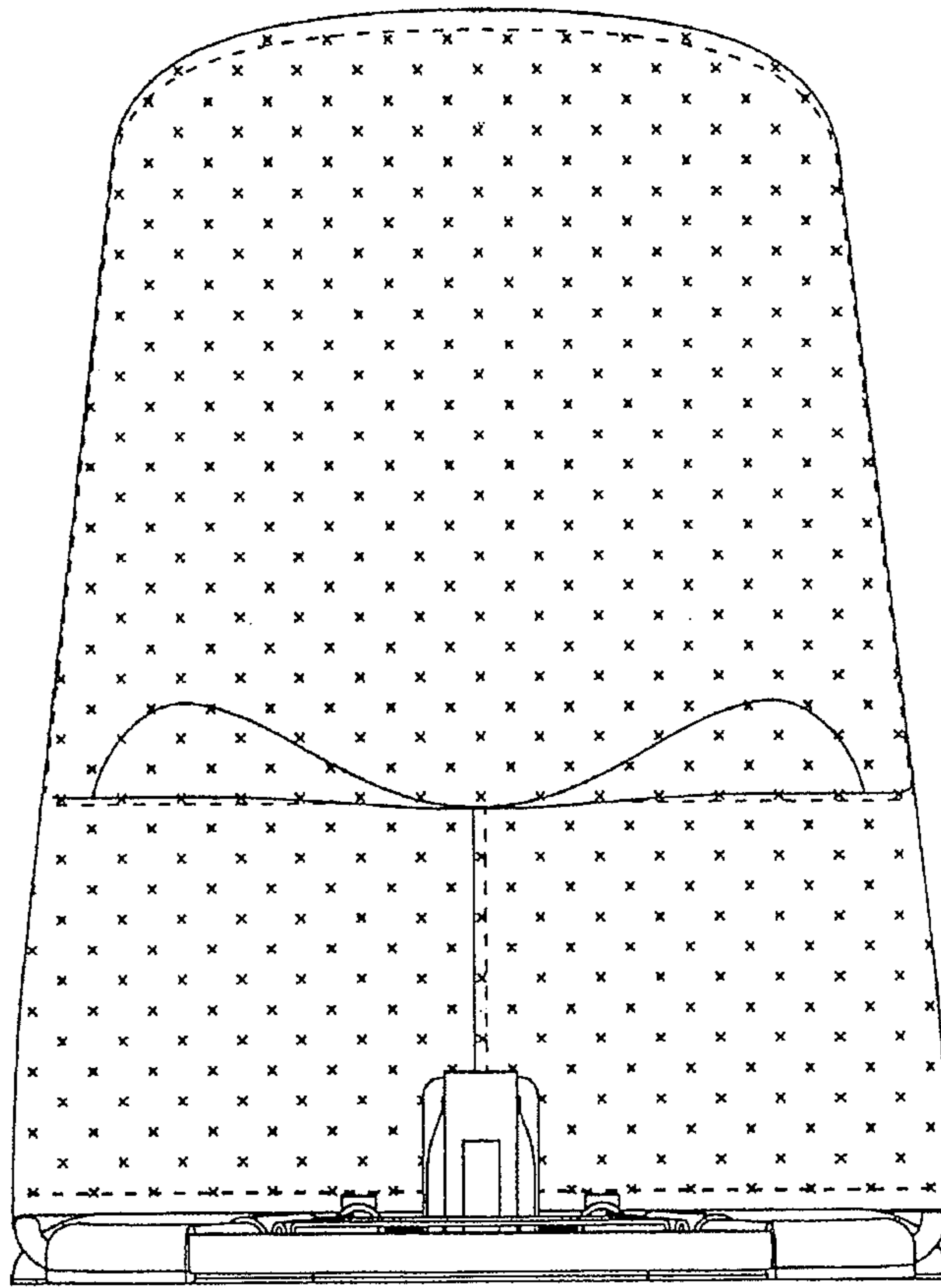


FIG. 3

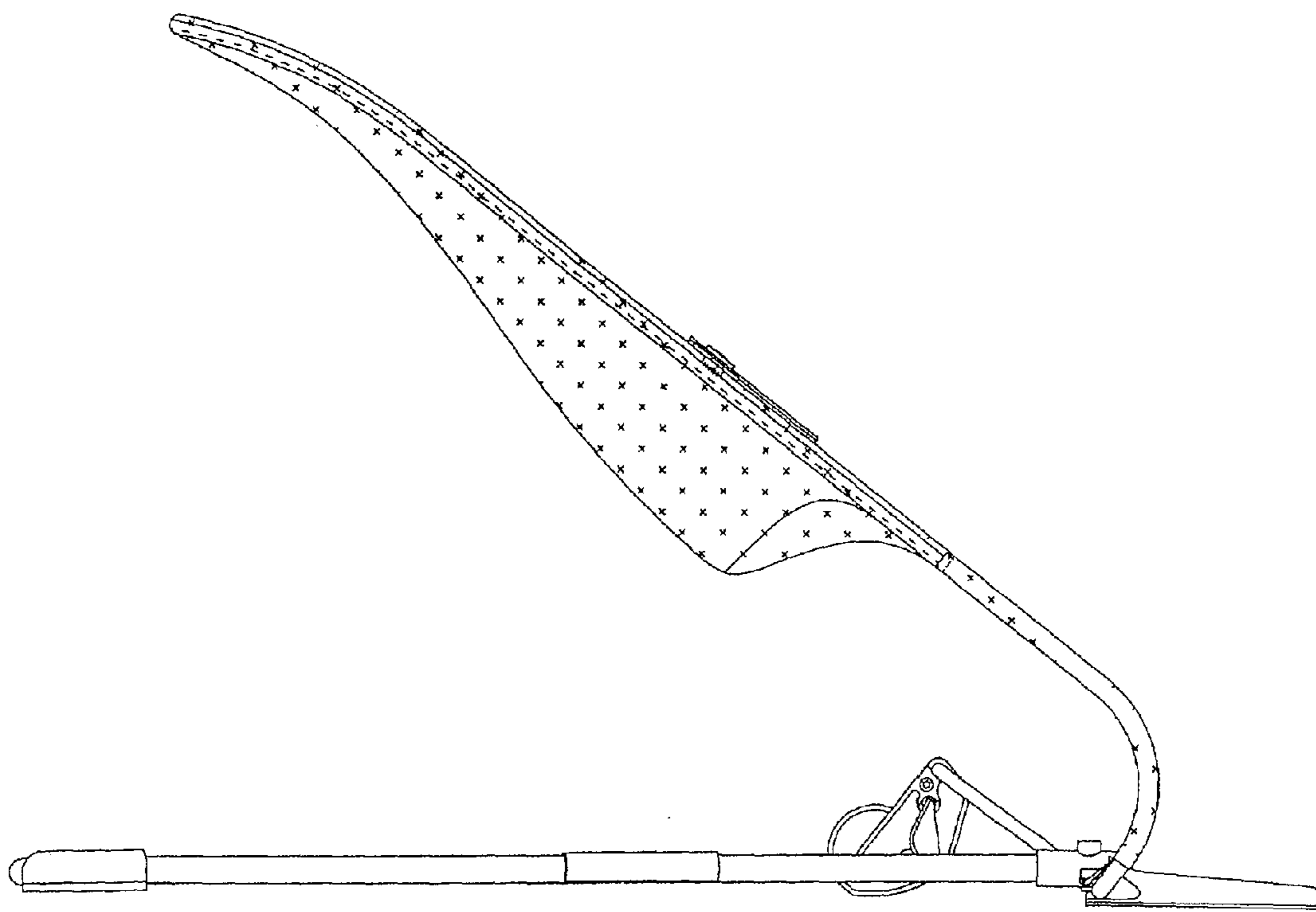


FIG. 4

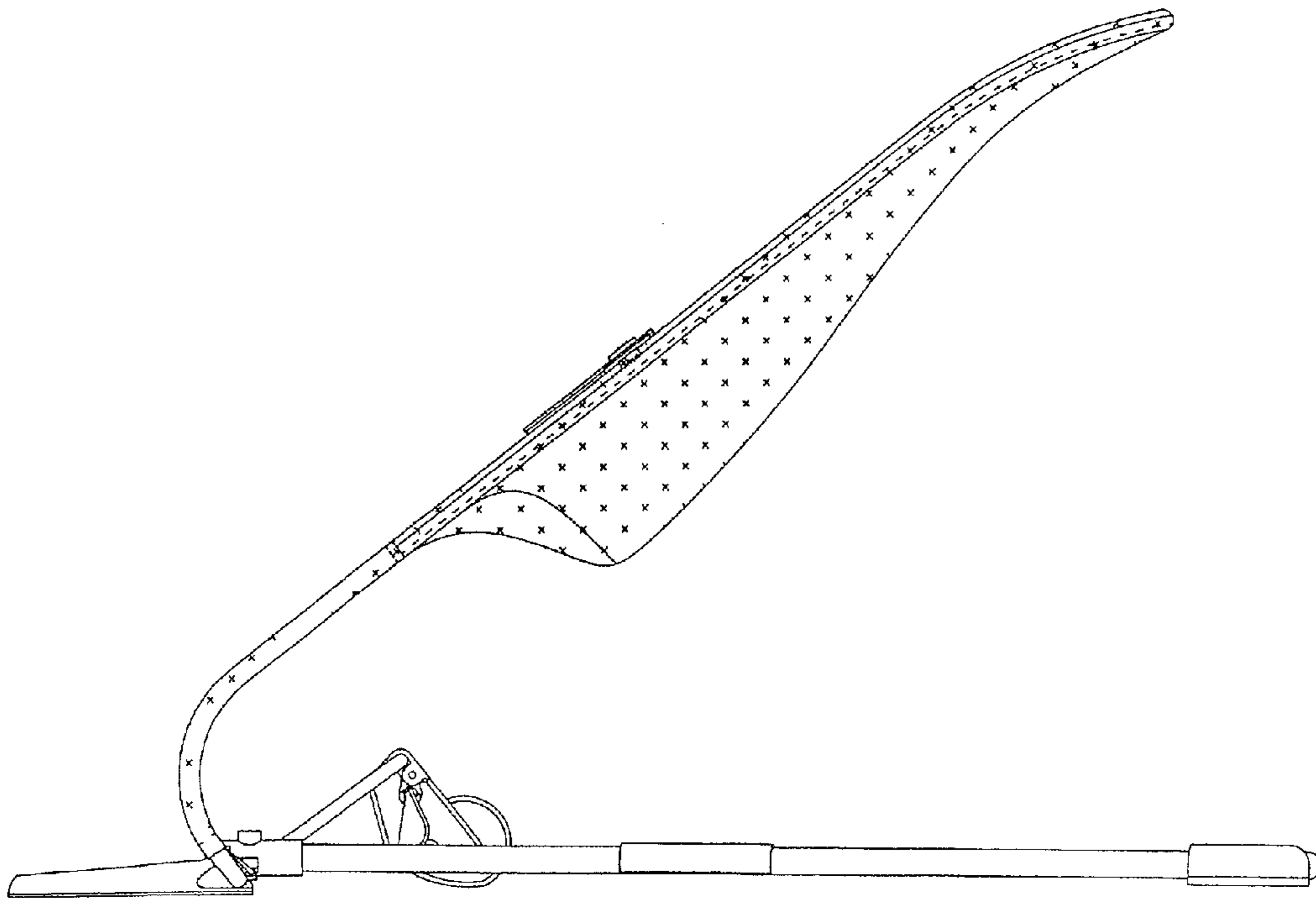


FIG. 5

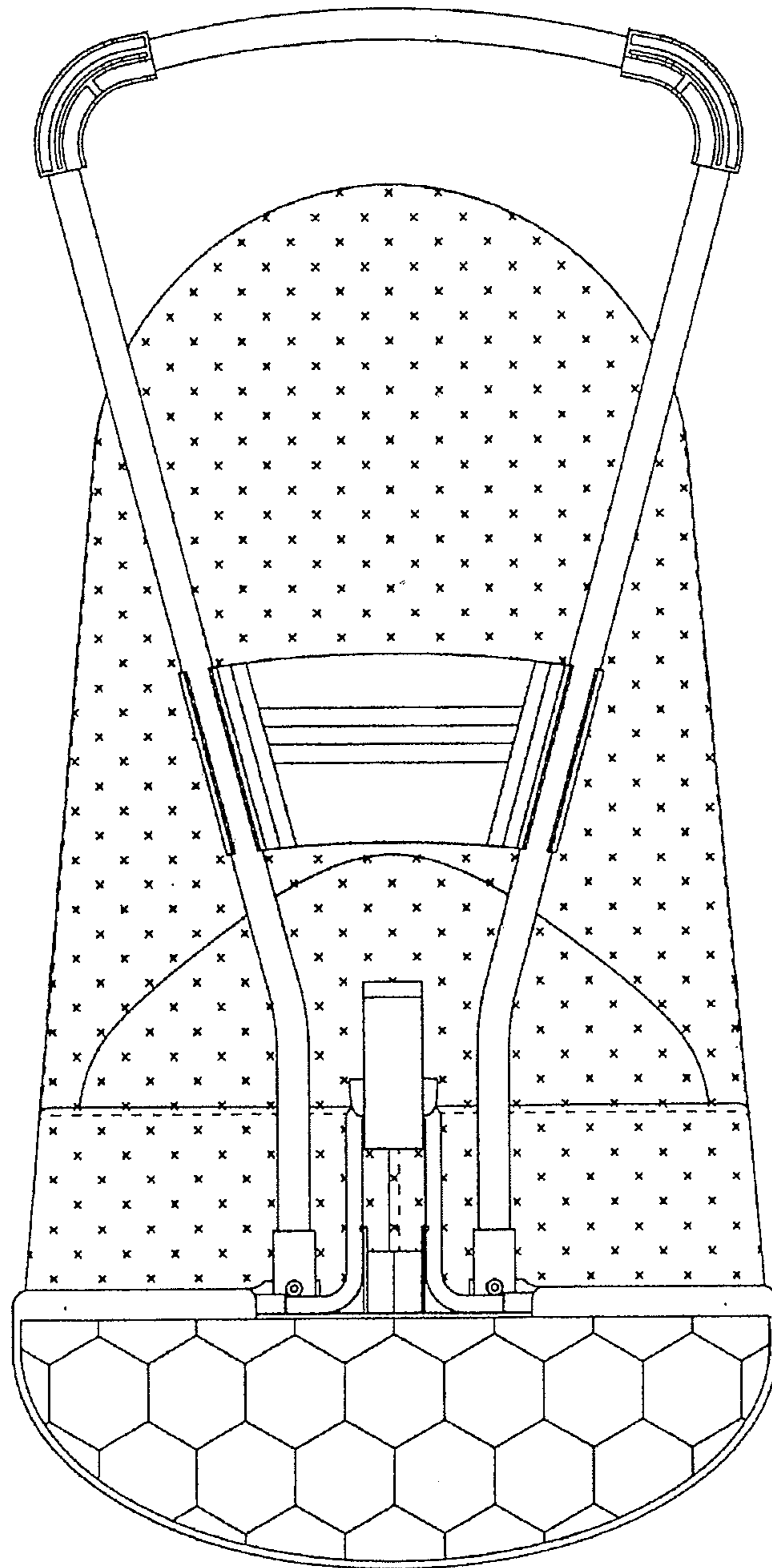


FIG. 6

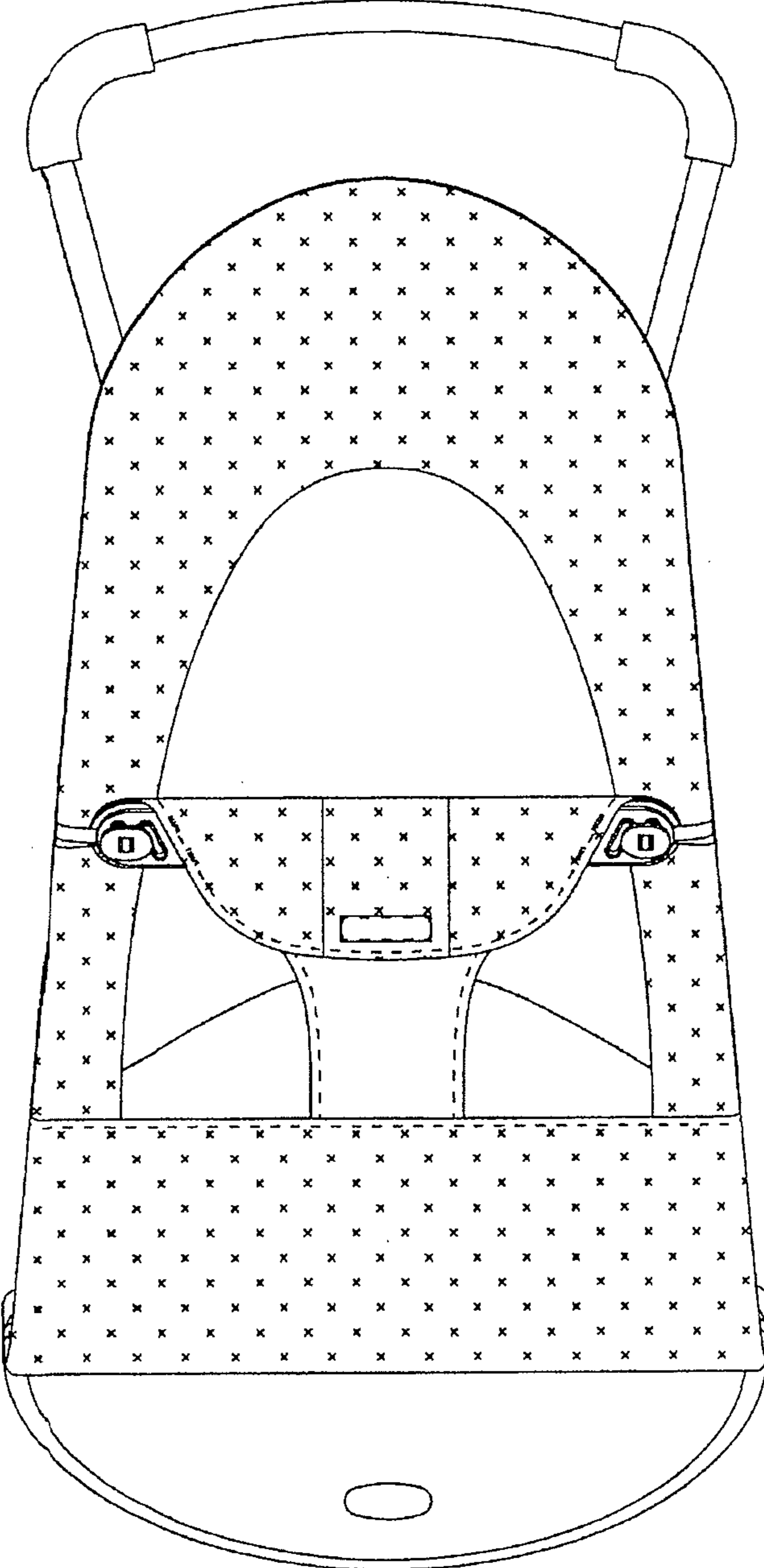


FIG. 7