

US00D692678S

(12) **United States Design Patent**
Williams et al.

(10) **Patent No.:** **US D692,678 S**

(45) **Date of Patent:** **** Nov. 5, 2013**

(54) **CHILD CAR SEAT BASE**

(75) Inventors: **Bruce L. Williams**, Narvon, PA (US);
Sharon A. Gillett, Reinholds, PA (US)

(73) Assignee: **Wonderland Nurserygoods Company Limited**, Central (HK)

(**) Term: **14 Years**

(21) Appl. No.: **29/407,542**

(22) Filed: **Nov. 30, 2011**

(51) **LOC (9) Cl.** **06-01**

(52) **U.S. Cl.**
USPC **D6/333**

(58) **Field of Classification Search**
USPC D6/333-335, 339, 491, 500-502;
D12/129; D21/412, 428, 419;
280/30-31; 5/94, 98.1, 99.1, 101-102,
5/105, 655; 297/183.1-183.4, 184.13,
297/184.15, 184.17, 250.1, 255, 256.1,
297/256.15, 219.12, 463.1

See application file for complete search history.

(56) **References Cited**

U.S. PATENT DOCUMENTS

D429,075 S * 8/2000 Cone, II D6/333
D430,737 S * 9/2000 Nowak et al. D6/333

D431,116 S * 9/2000 Gibson et al. D6/333
D487,640 S * 3/2004 Chen D6/333
D621,171 S * 8/2010 Xu D6/333
D637,824 S * 5/2011 Daly et al. D6/333
D651,417 S * 1/2012 Franck et al. D6/333

* cited by examiner

Primary Examiner — Caron D Veynar

Assistant Examiner — Abraham Bahta

(74) *Attorney, Agent, or Firm* — Bacon & Thomas, PLLC

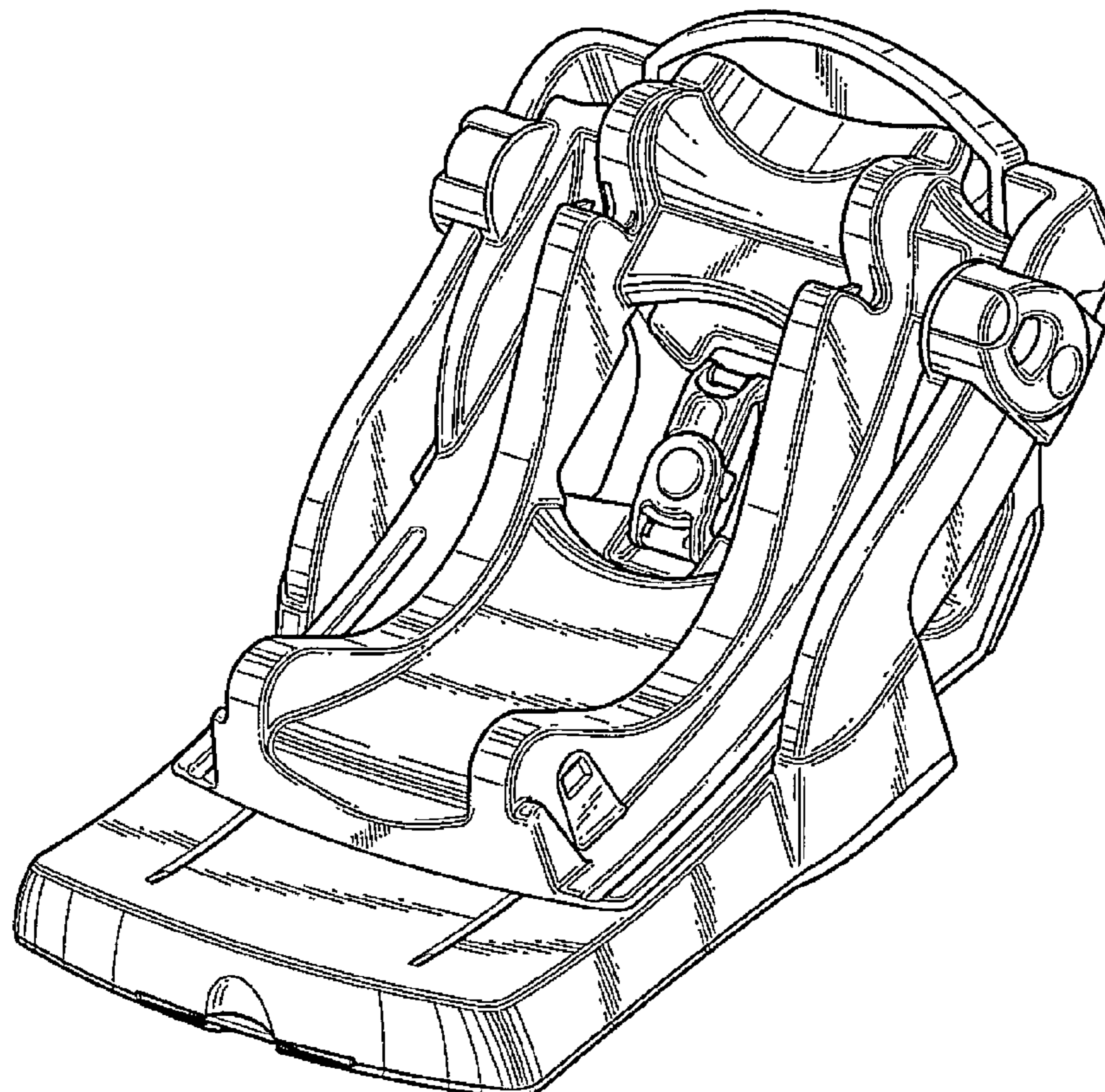
(57) **CLAIM**

The ornamental design for a child car seat base, as shown and described.

DESCRIPTION

FIG. 1 is a perspective view of a child car seat base in accordance with our new design;
FIG. 2 is a front view of FIG. 1;
FIG. 3 is a rear view of FIG. 1;
FIG. 4 is a top view of FIG. 1;
FIG. 5 is a bottom view of FIG. 1;
FIG. 6 is a left side view of FIG. 1;
FIG. 7 is a right side view of FIG. 1; and,
FIG. 8 is a perspective view showing the child car seat base shown in FIG. 1 in use.

1 Claim, 6 Drawing Sheets



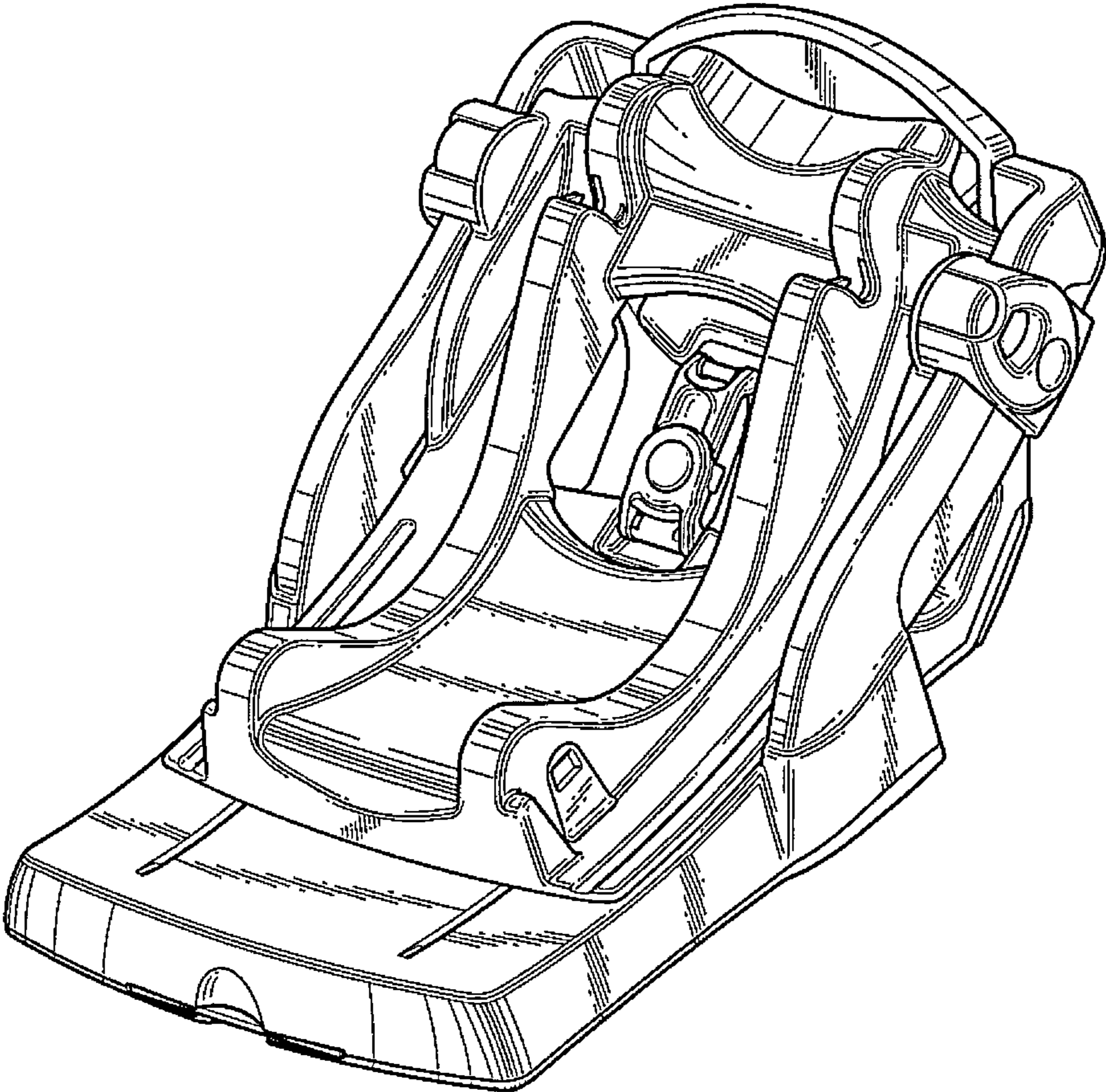


FIG. 1

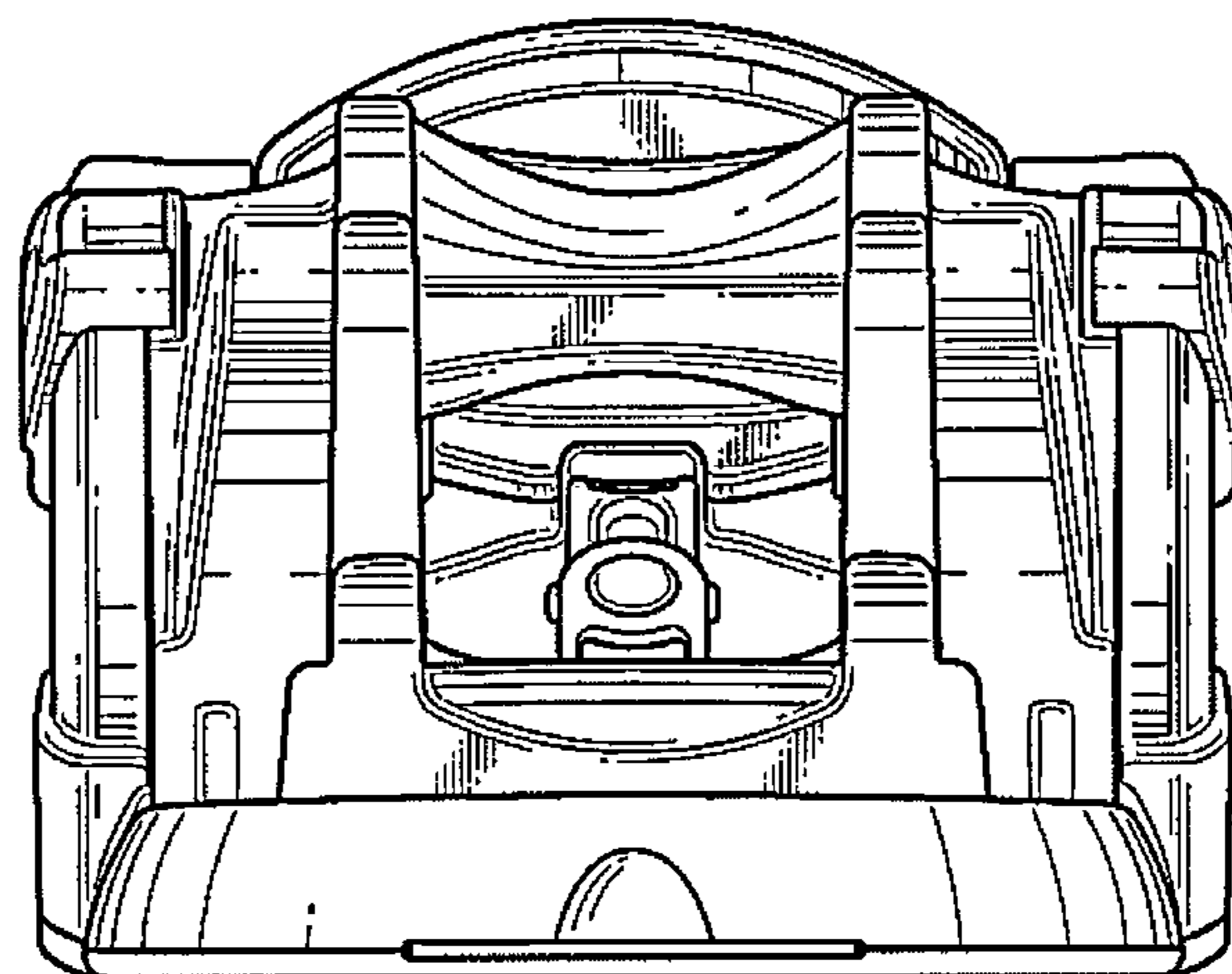


FIG. 2

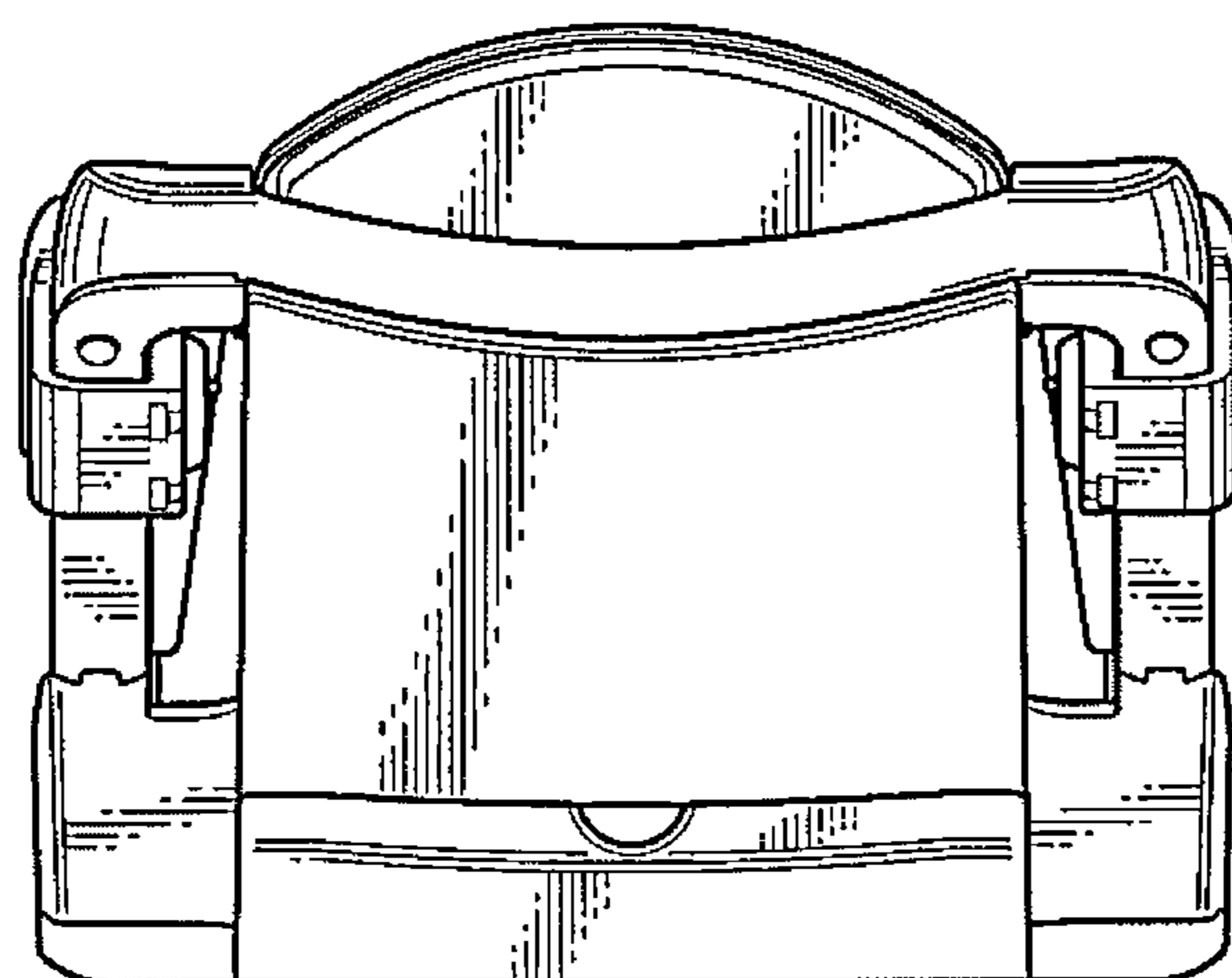


FIG. 3

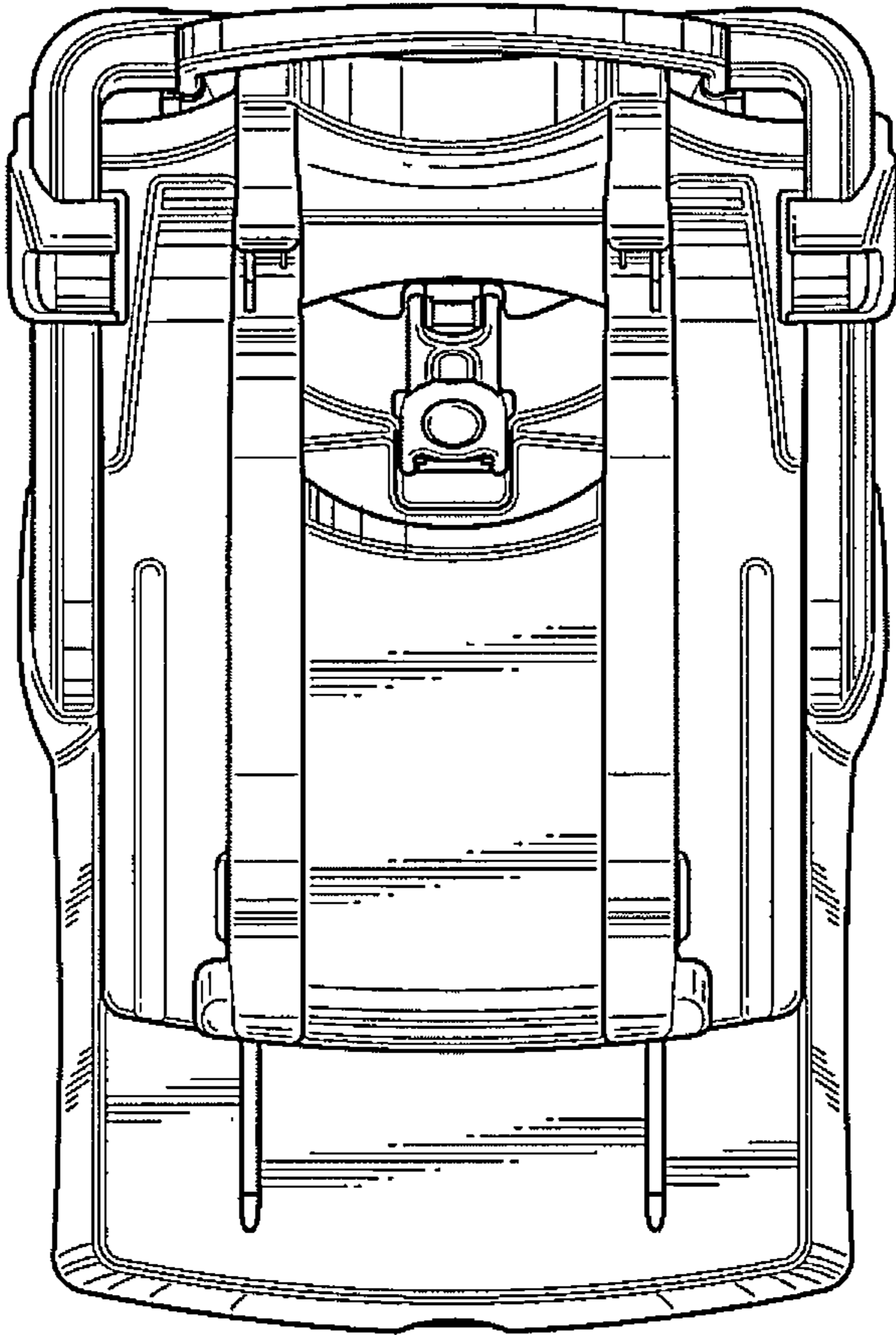


FIG. 4

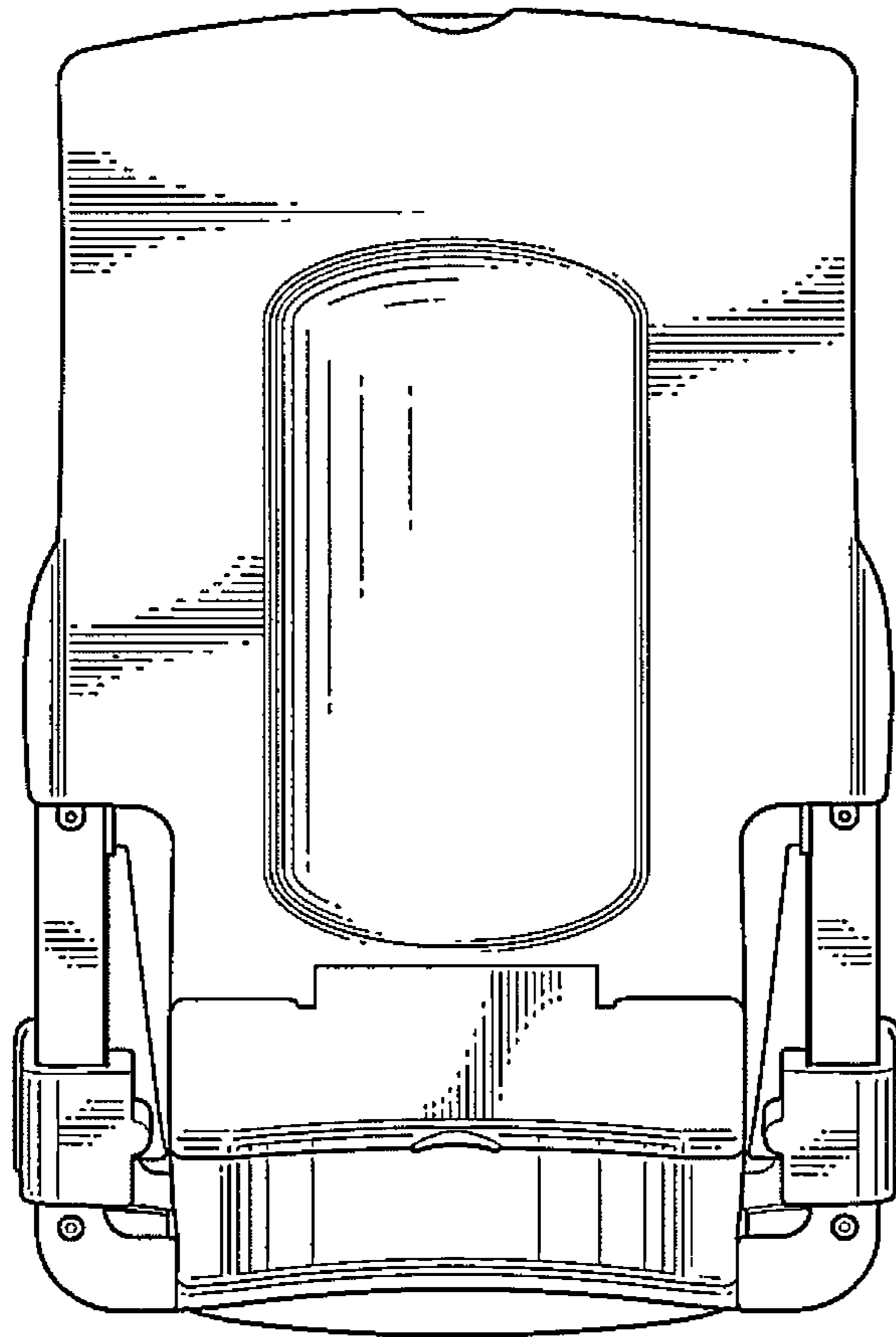


FIG. 5

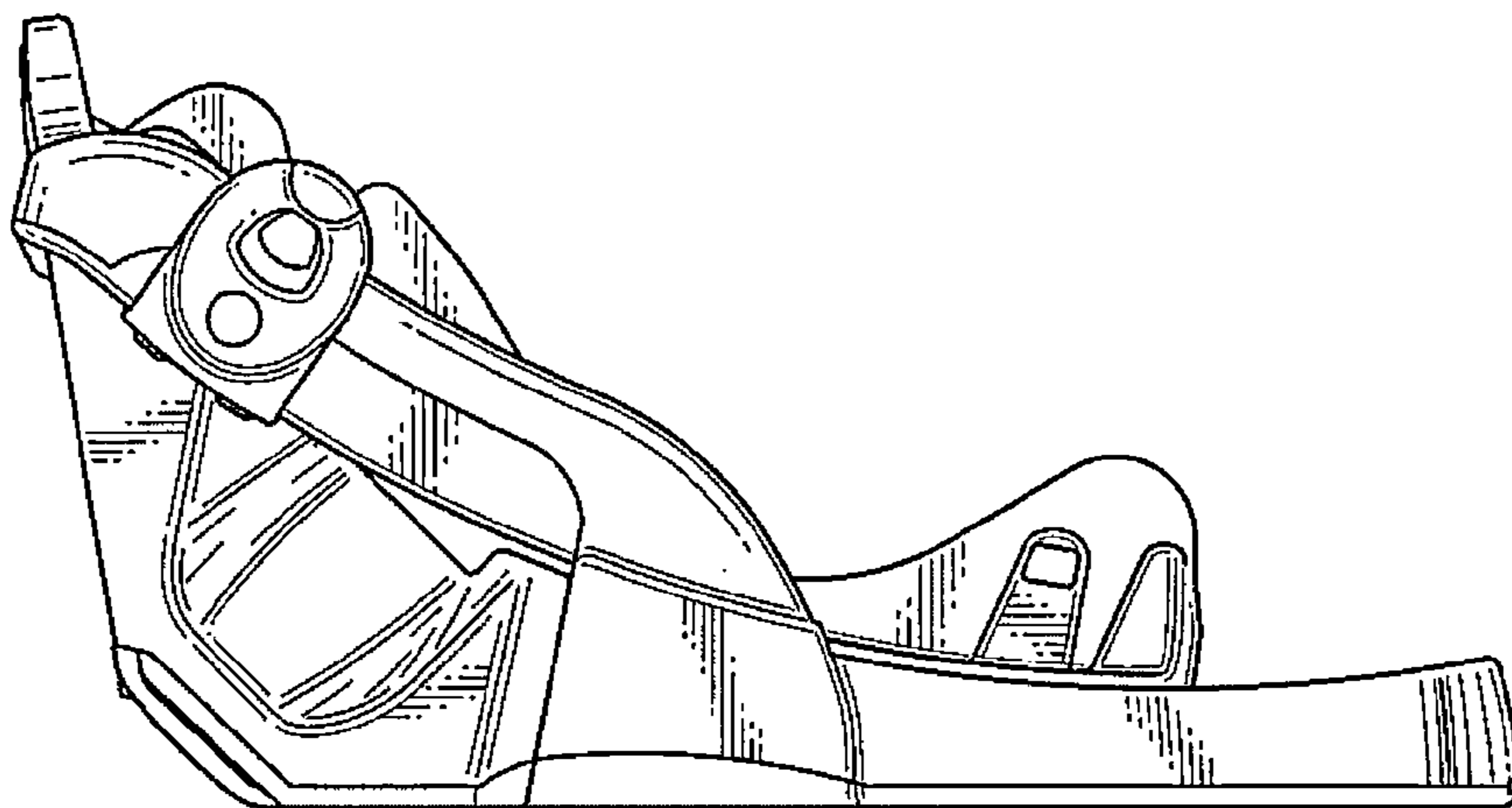


FIG. 6

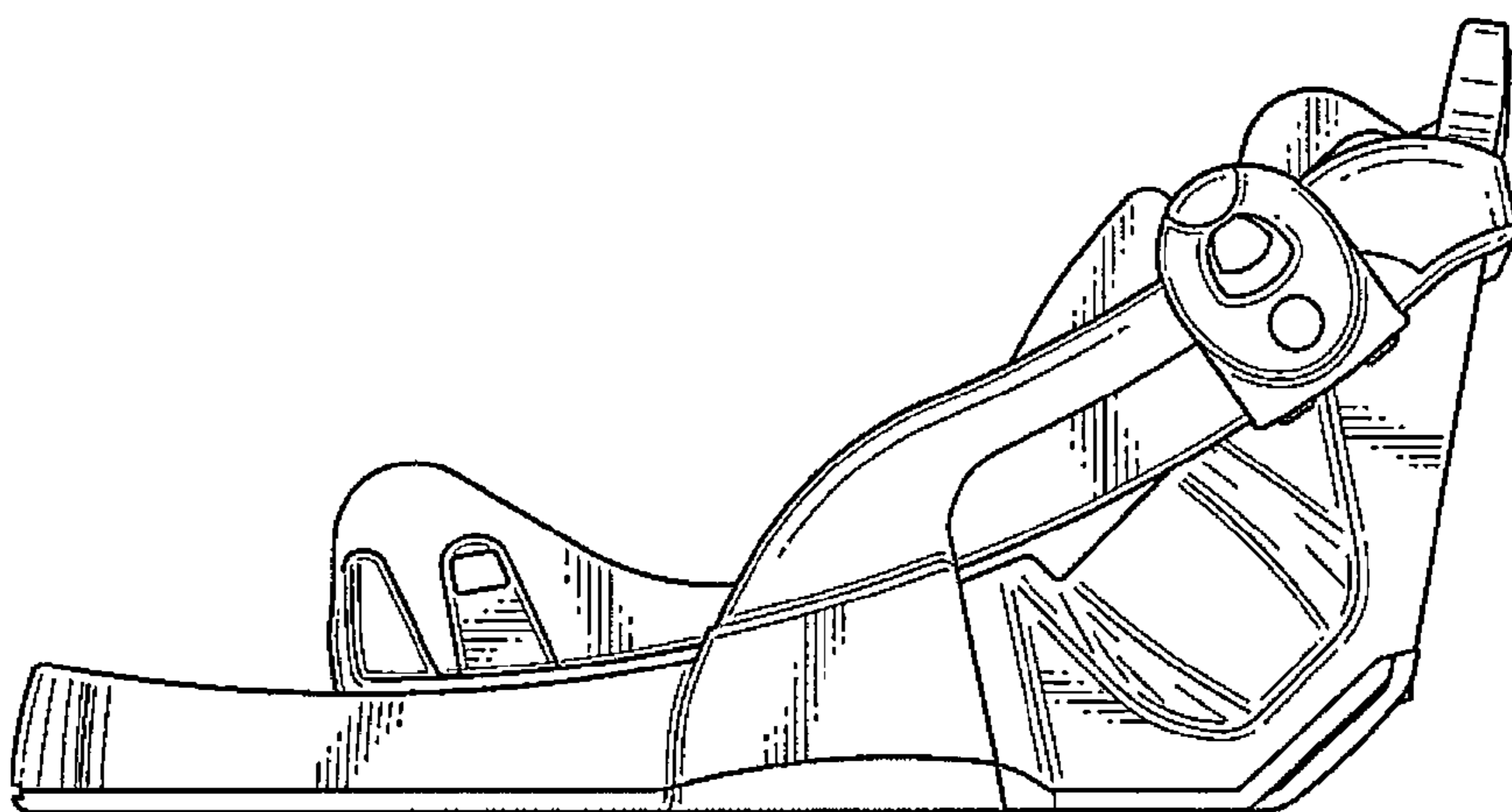


FIG. 7

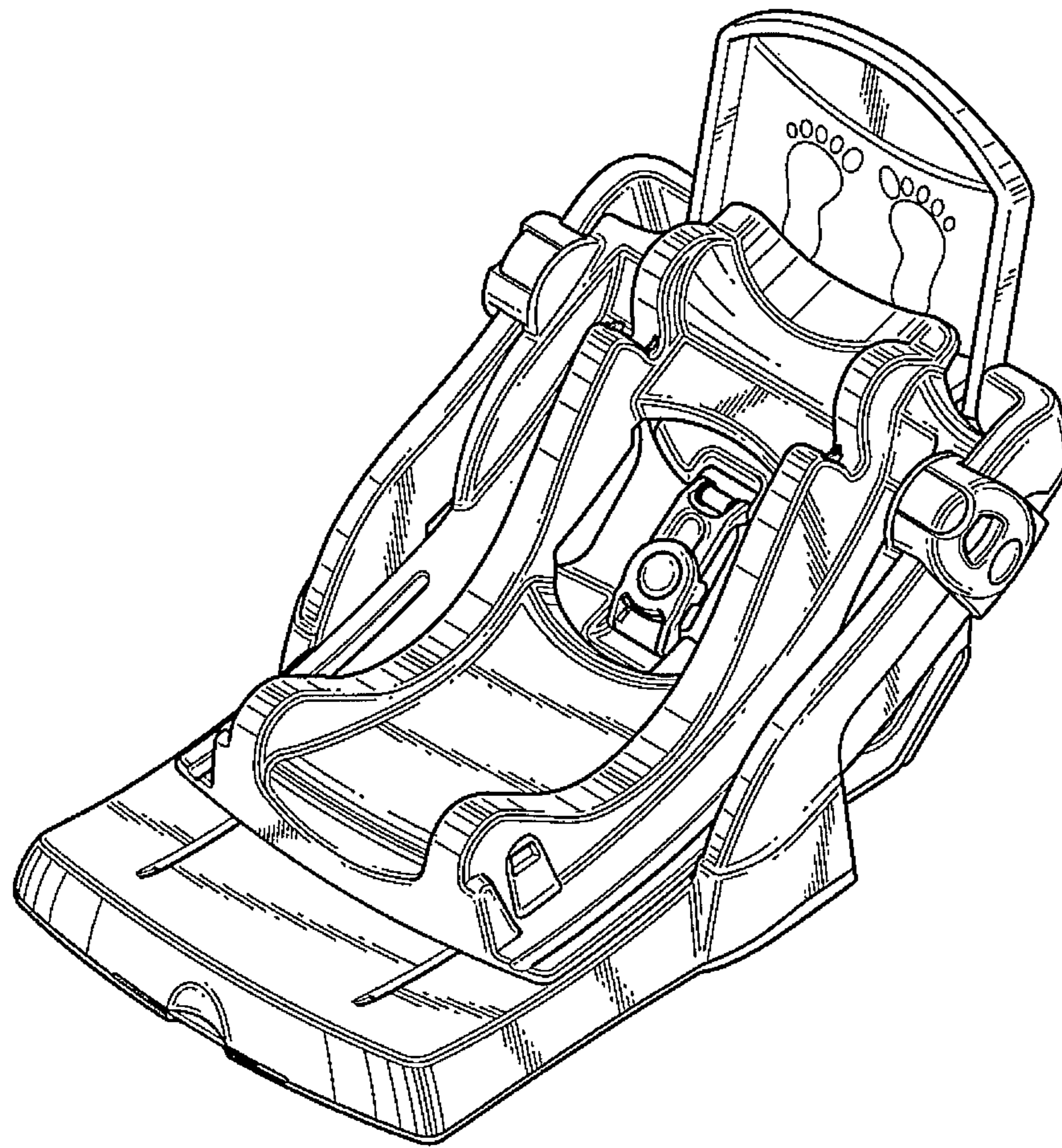


FIG. 8