



US00D692677S

(12) **United States Design Patent**
Dotson

(10) **Patent No.:** **US D692,677 S**

(45) **Date of Patent:** **** Nov. 5, 2013**

(54) **PERSONALIZED WEEKLY GARMENT MARKER**

(71) Applicant: **Steven Dotson**, Ellenwood, GA (US)

(72) Inventor: **Steven Dotson**, Ellenwood, GA (US)

(**) Term: **14 Years**

(21) Appl. No.: **29/436,205**

(22) Filed: **Nov. 2, 2012**

(51) **LOC (9) Cl.** **06-08**

(52) **U.S. Cl.**
USPC **D6/328**

(58) **Field of Classification Search**
USPC D6/315-328; 223/85-98; 211/1, 13.1,
211/85.3, 86.01, 105.2, 106.1, 123, 124,
211/183; 248/317, 339
See application file for complete search history.

D445,836 S *	7/2001	Willardson	D20/28
D458,129 S	6/2002	Foster		
D505,275 S *	5/2005	Wooten	D6/323
D515,418 S	2/2006	Sandler		
D617,566 S *	6/2010	Barnes, Jr.	D6/328
D638,228 S *	5/2011	Chim	D6/328
D640,923 S	7/2011	Kim		
2003/0082278 A1	5/2003	Chow		
2004/0231111 A1	11/2004	Martinez		
2008/0260302 A1	10/2008	Martinez		

* cited by examiner

Primary Examiner — Derrick Holland

Assistant Examiner — Lauren Calve

(74) *Attorney, Agent, or Firm* — QuickPatents; Kevin Prince

(57) **CLAIM**

I claim the ornamental design for a personalized weekly garment marker, as shown and described.

DESCRIPTION

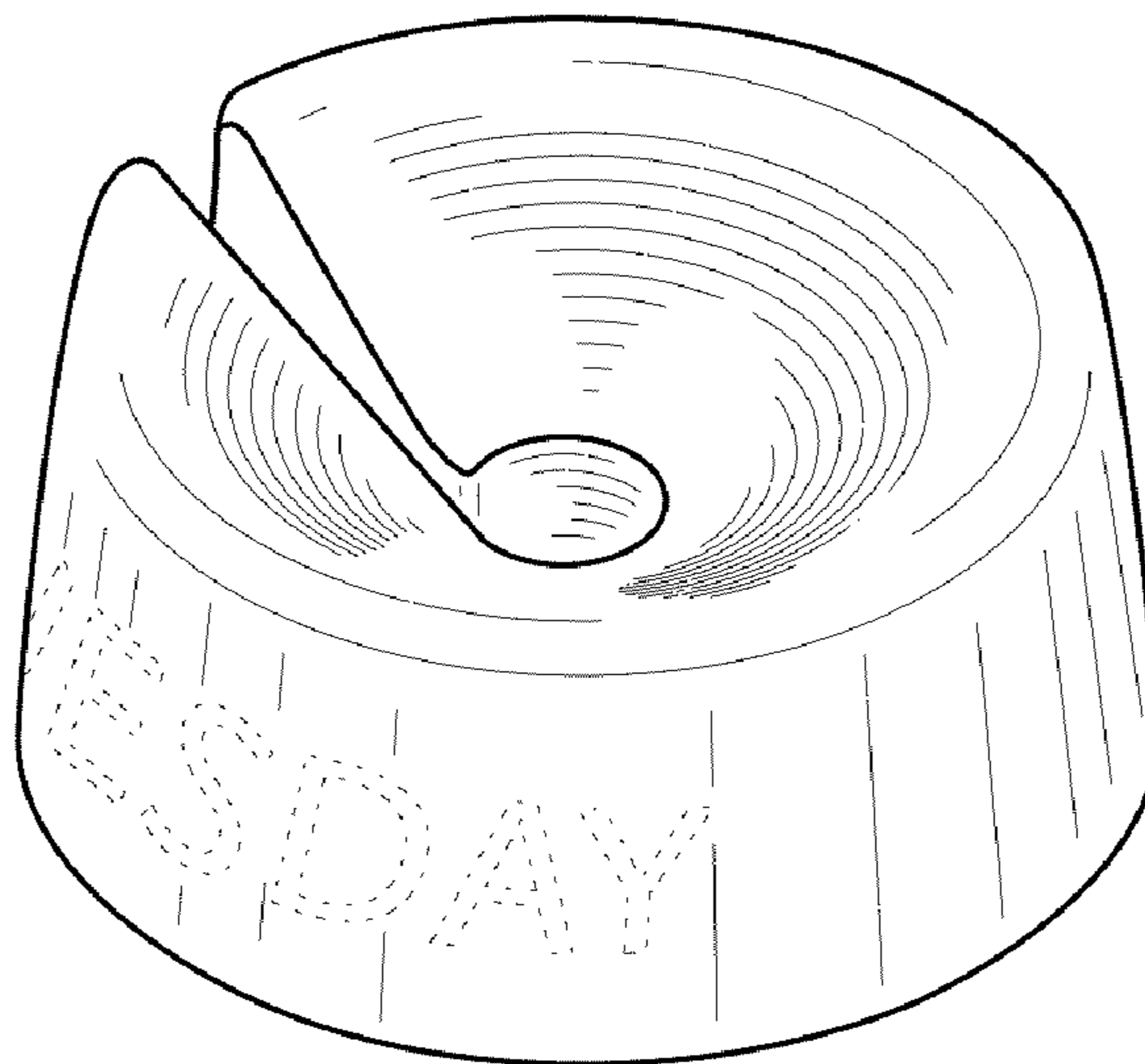
FIG. 1 is a perspective view of a personalized weekly garment marker, showing my new design;
FIG. 2 is a front elevational view thereof;
FIG. 3 is a rear elevational view thereof;
FIG. 4 is a right-side elevational view thereof;
FIG. 5 is a left-side elevational view thereof;
FIG. 6 is a top plan view thereof; and,
FIG. 7 is a bottom plan view thereof.
The broken lines showing of a personalized weekly garment marker represents unclaimed subject matter and forms no part of the claimed design.

(56) **References Cited**

U.S. PATENT DOCUMENTS

D285,287 S	8/1986	Tannar		
D316,038 S	4/1991	Gagnet		
5,199,794 A	4/1993	Lipes		
5,738,401 A	4/1998	Fan		
D421,683 S *	3/2000	Willardson	D6/328
D421,848 S *	3/2000	Willardson	D6/328
D421,849 S *	3/2000	Willardson	D6/328
D421,850 S *	3/2000	Willardson	D6/328
D422,153 S *	4/2000	Willardson	D6/328
D423,798 S *	5/2000	Willardson	D6/328
D424,818 S *	5/2000	Willardson	D6/328
D425,710 S *	5/2000	Willardson	D6/328
D430,410 S *	9/2000	Willardson	D6/328

1 Claim, 1 Drawing Sheet



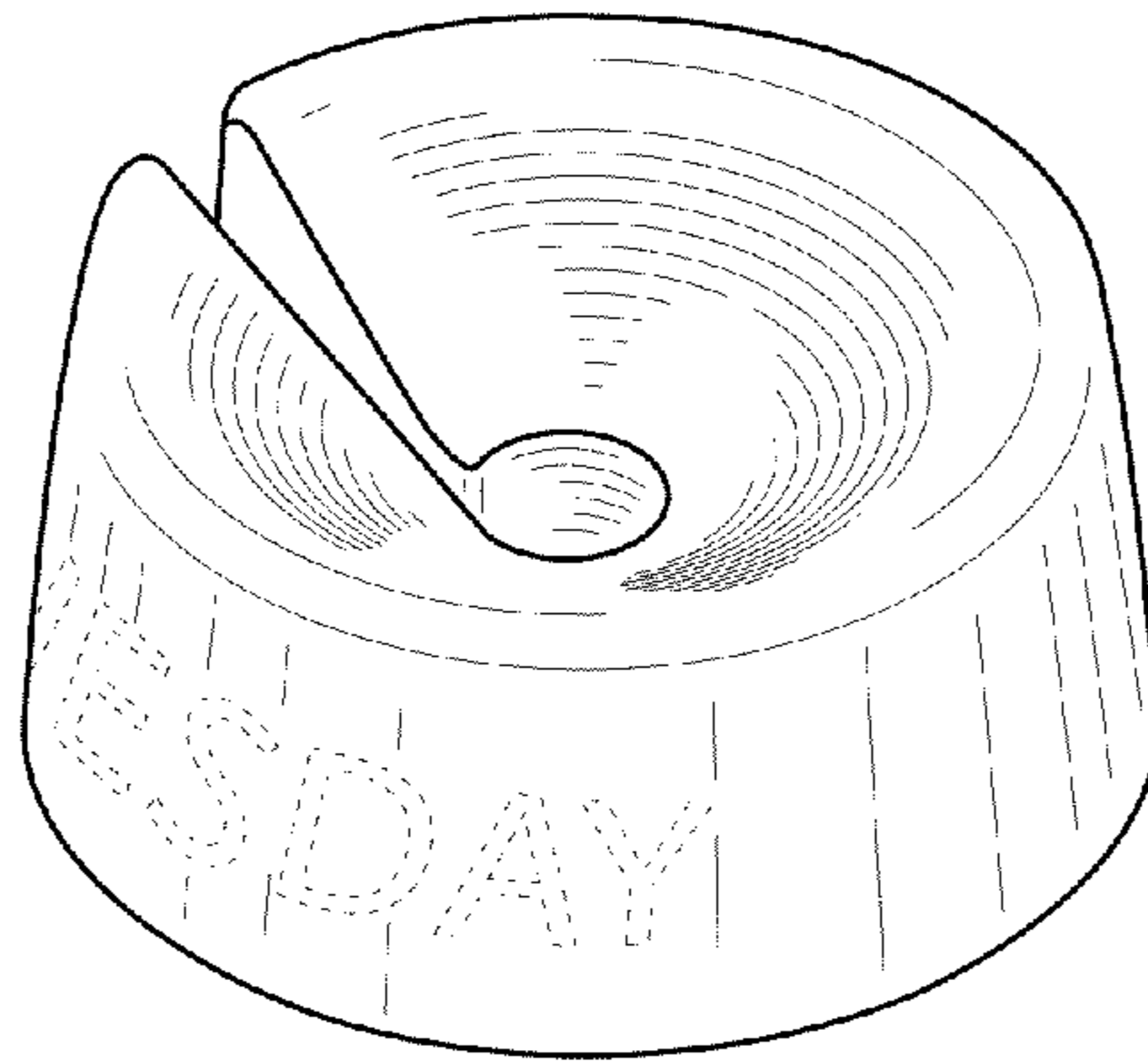


FIG. 1

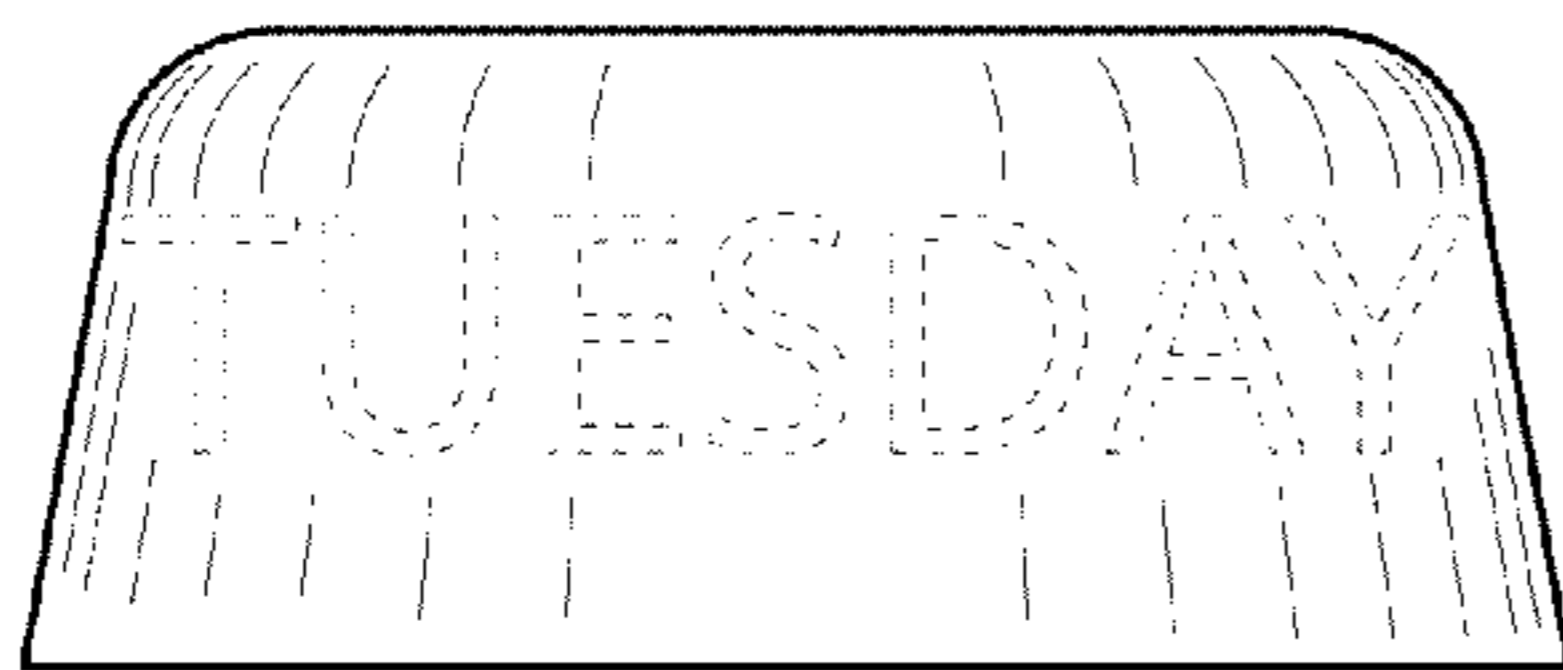


FIG. 2

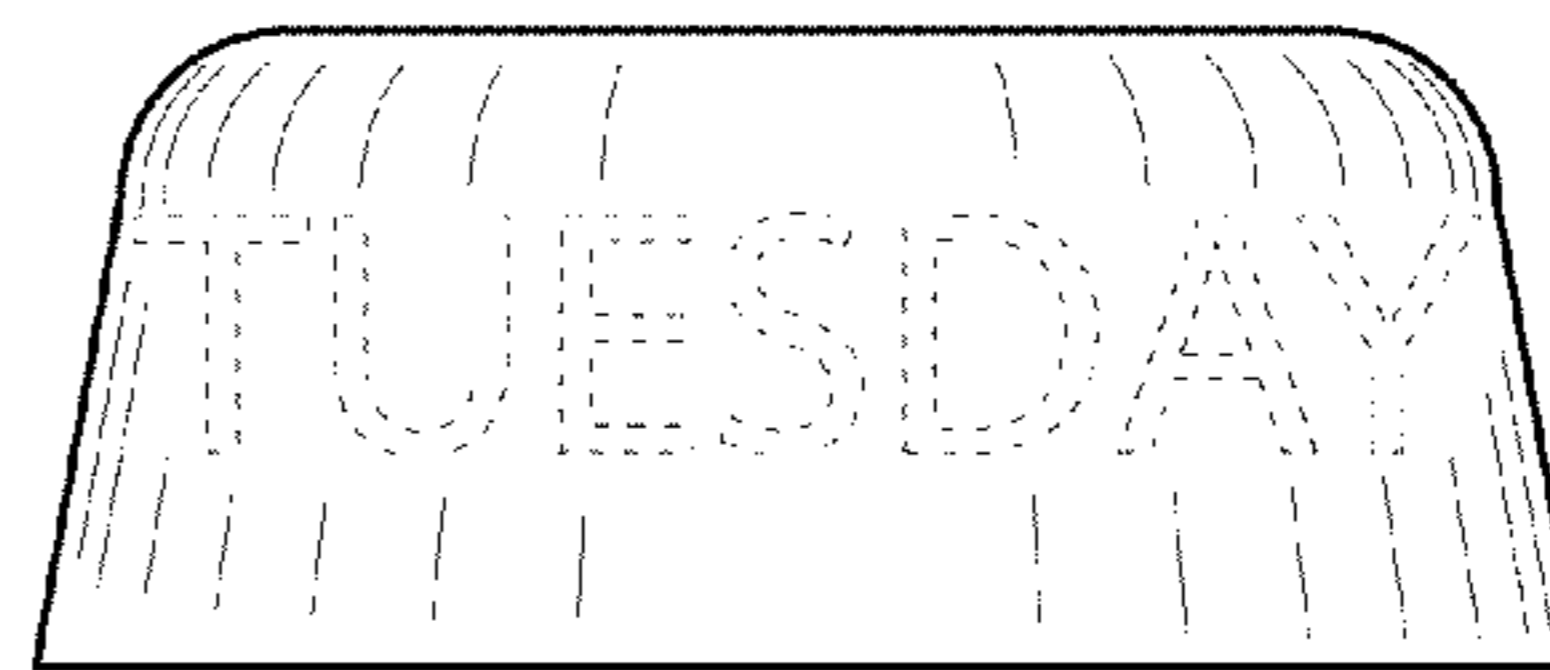


FIG. 3

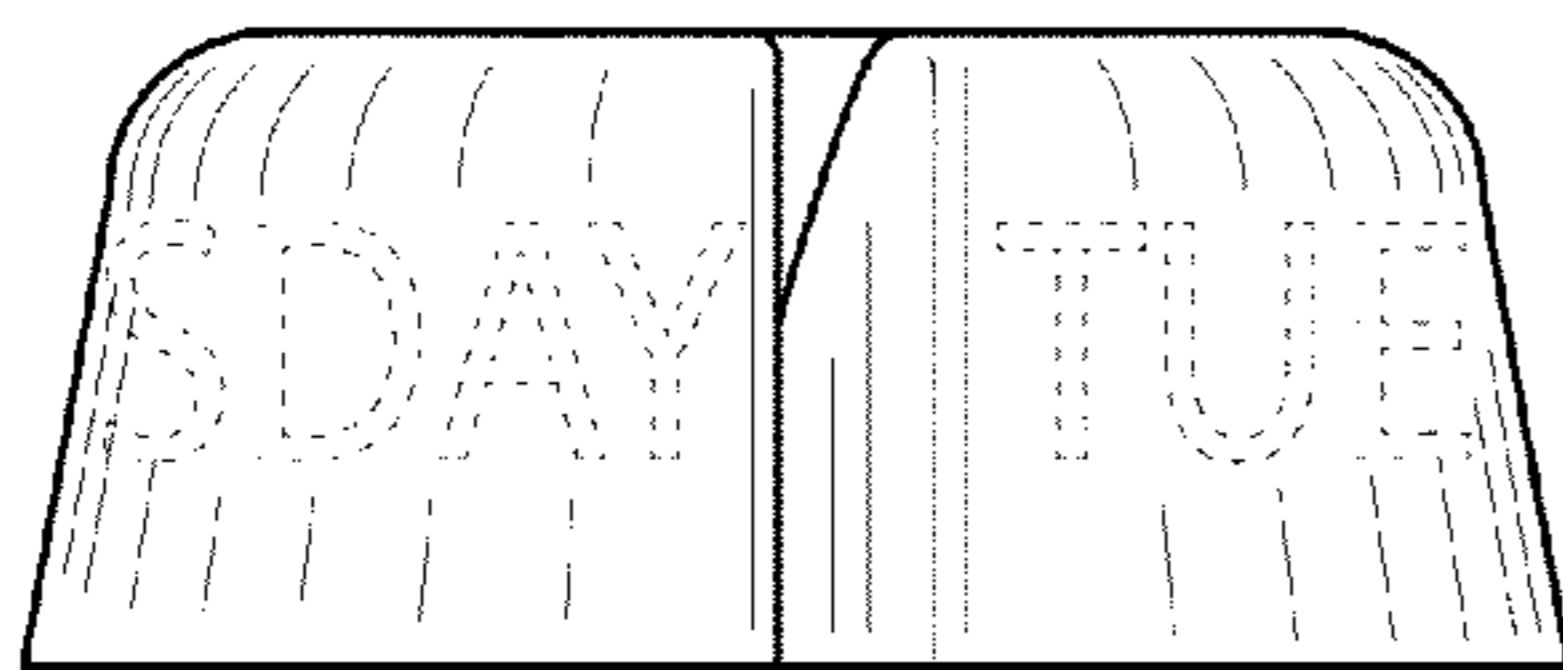


FIG. 4

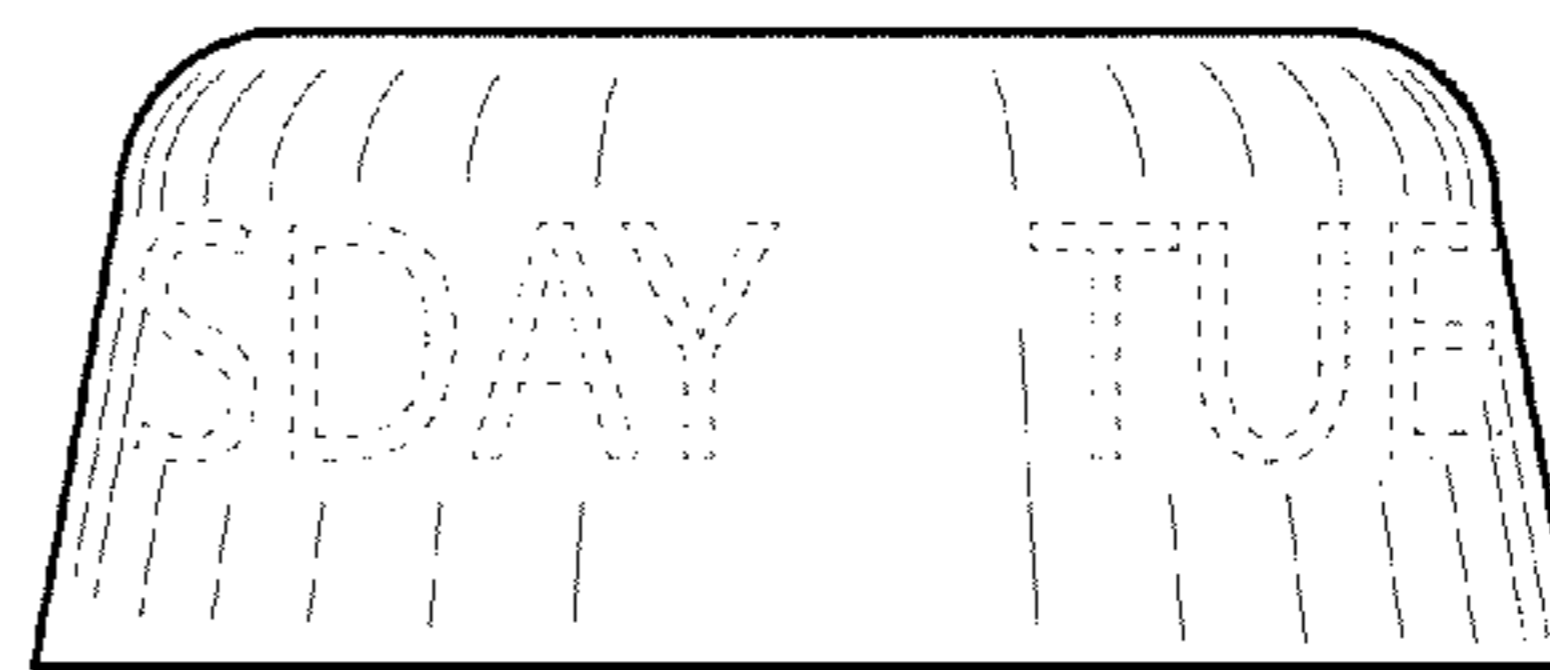


FIG. 5

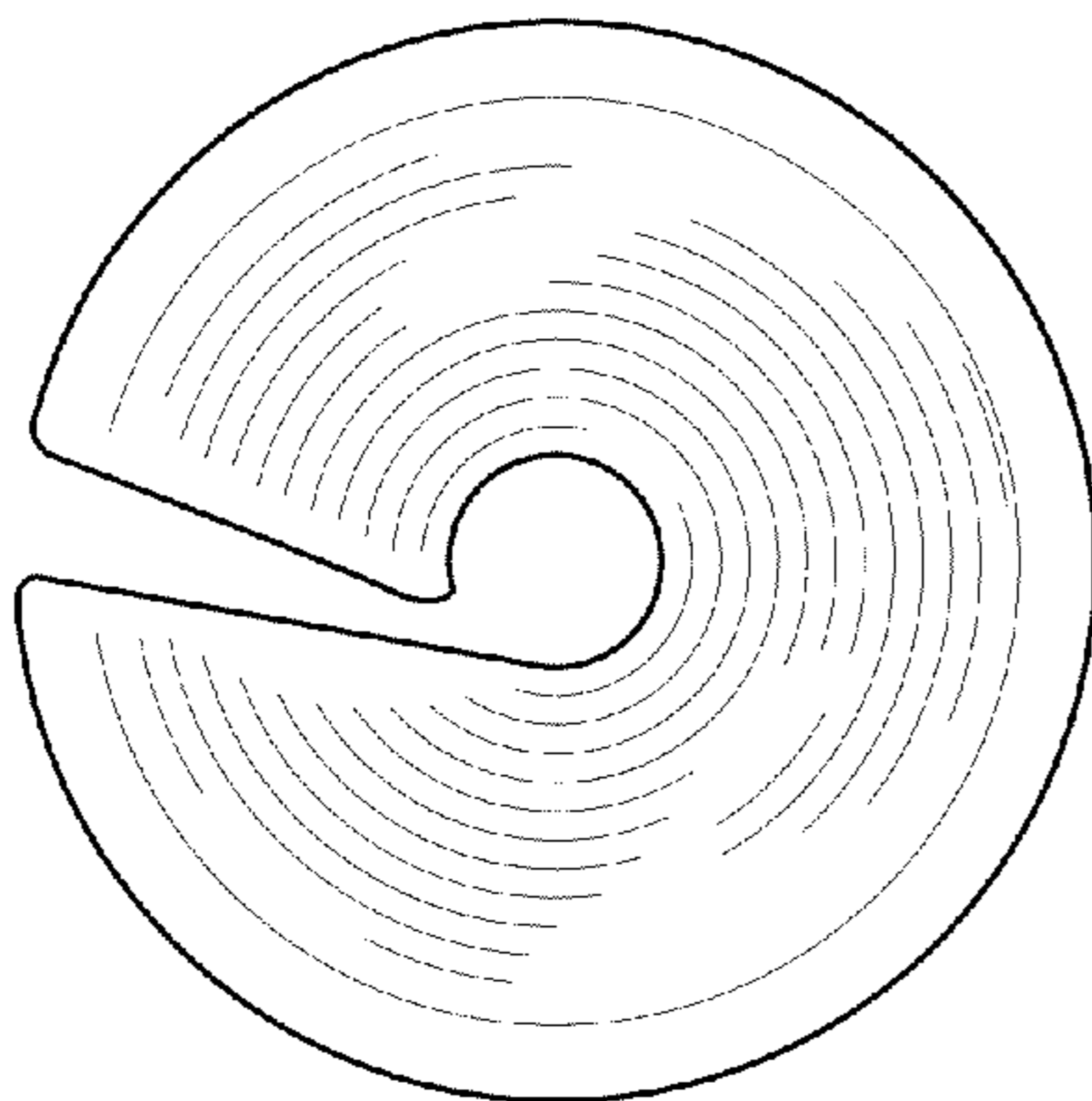


FIG. 6

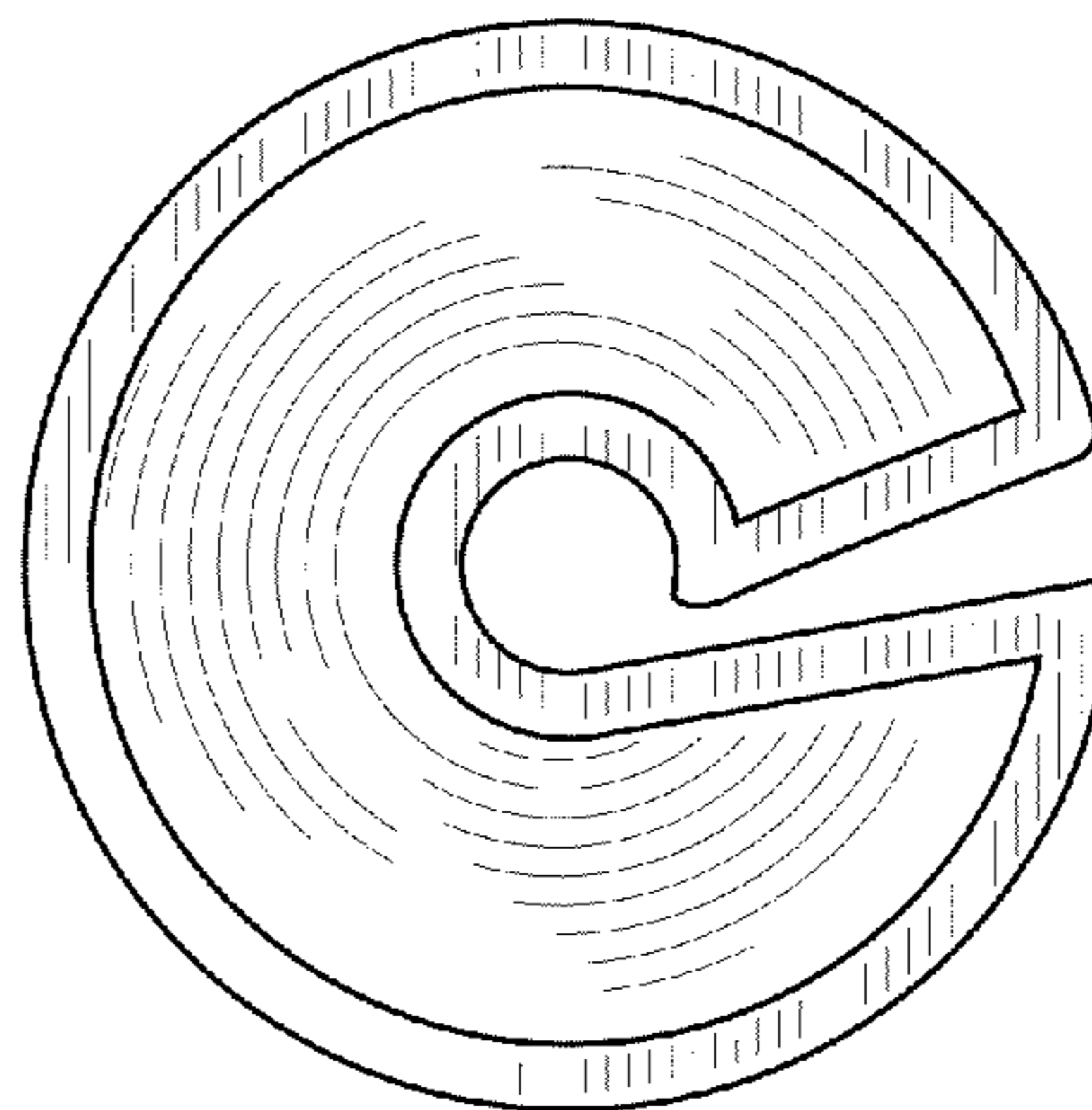


FIG. 7