



US00D692671S

(12) **United States Design Patent**
Boucher

(10) **Patent No.:** **US D692,671 S**
(45) **Date of Patent:** **** Nov. 5, 2013**

(54) **WORKING END OF A BOOT CLEANING TOOL**

D363,608 S * 10/1995 Lessmann D4/118
6,243,906 B1 * 6/2001 Holliday et al. 15/111
6,539,824 B2 * 4/2003 Wedhorn 81/25
7,039,983 B1 * 5/2006 Outlaw 15/111

(76) Inventor: **Neal M. Boucher**, Newport, NH (US)

* cited by examiner

(**) Term: **14 Years**

Primary Examiner — Robin V Webster

(21) Appl. No.: **29/391,059**

Assistant Examiner — Lavone D Tabor

(22) Filed: **May 3, 2011**

(74) *Attorney, Agent, or Firm* — Michael J. Weins; Jeffrey E. Semprebon

(51) **LOC (9) Cl.** **04-01**

(52) **U.S. Cl.**
USPC **D4/118**

(58) **Field of Classification Search**
USPC D4/118, 132, 134; D32/42, 47, 49;
15/111–113, 159.1, 160, 236.01;
D8/11, 105; 7/145, 158, 169; 30/167,
30/167.1, 169, 171

See application file for complete search history.

(57) **CLAIM**

The ornamental design for a working end of a boot cleaning tool, as is shown and described.

DESCRIPTION

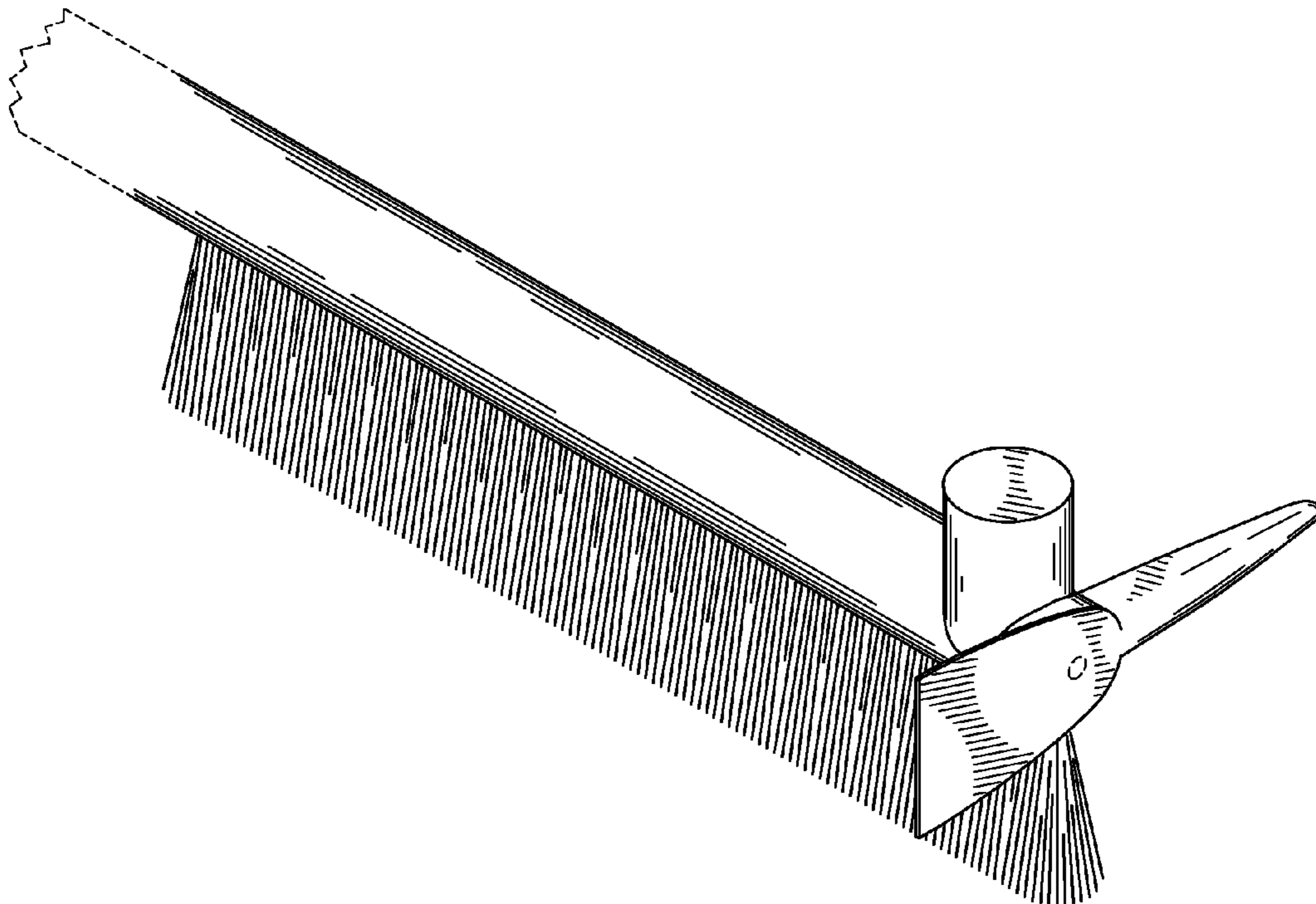
FIG. 1 is a perspective view showing my new design;
FIG. 2 is a reduced perspective view thereof;
FIG. 3 is an enlarged first end view thereof;
FIG. 4 is an enlarged second end view thereof;
FIG. 5 is a first side view thereof;
FIG. 6 is a bottom view thereof;
FIG. 7 is a top view thereof; and,
FIG. 8 is a second side view thereof.
The broken lines showing the remainder of the handle in FIGS. 1, 2, and 4-8, a fastener in FIGS. 1-3, and a crutch tip in FIG. 2 form no part of the claimed design.

(56) **References Cited**

U.S. PATENT DOCUMENTS

312,764	A	2/1885	Rhoades	
1,273,680	A *	7/1918	Simpson	15/113
D105,369	S	7/1937	Babcock	
2,293,081	A *	8/1942	Savoy	15/176.3
2,423,189	A *	7/1947	Honhart	7/145
3,105,257	A	10/1963	Blagden	
3,380,096	A	4/1968	Marston	
D280,036	S	8/1985	Ulman	
D283,976	S	5/1986	Graves	
D328,230	S	7/1992	Jeffrey	

1 Claim, 3 Drawing Sheets



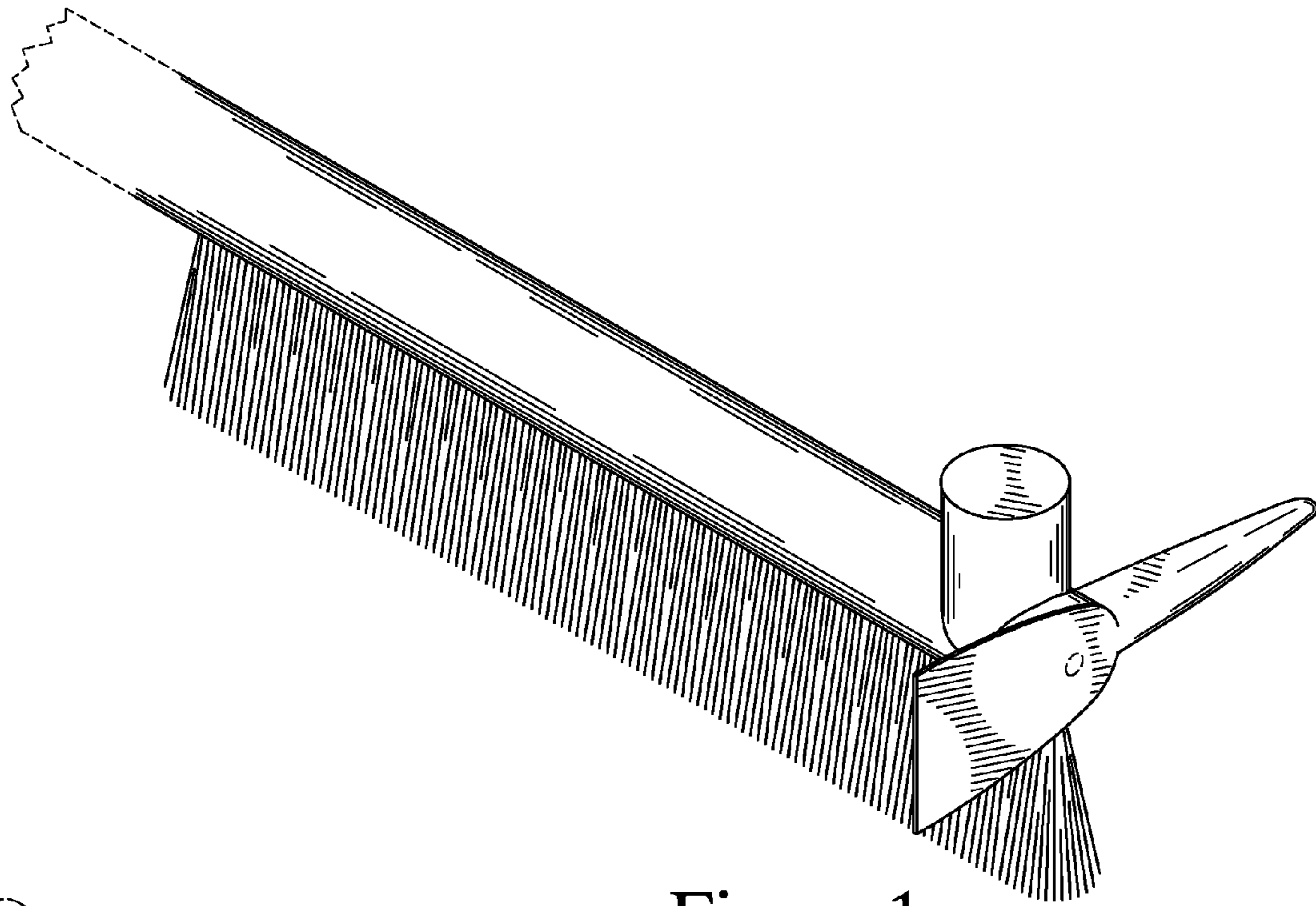


Figure 1

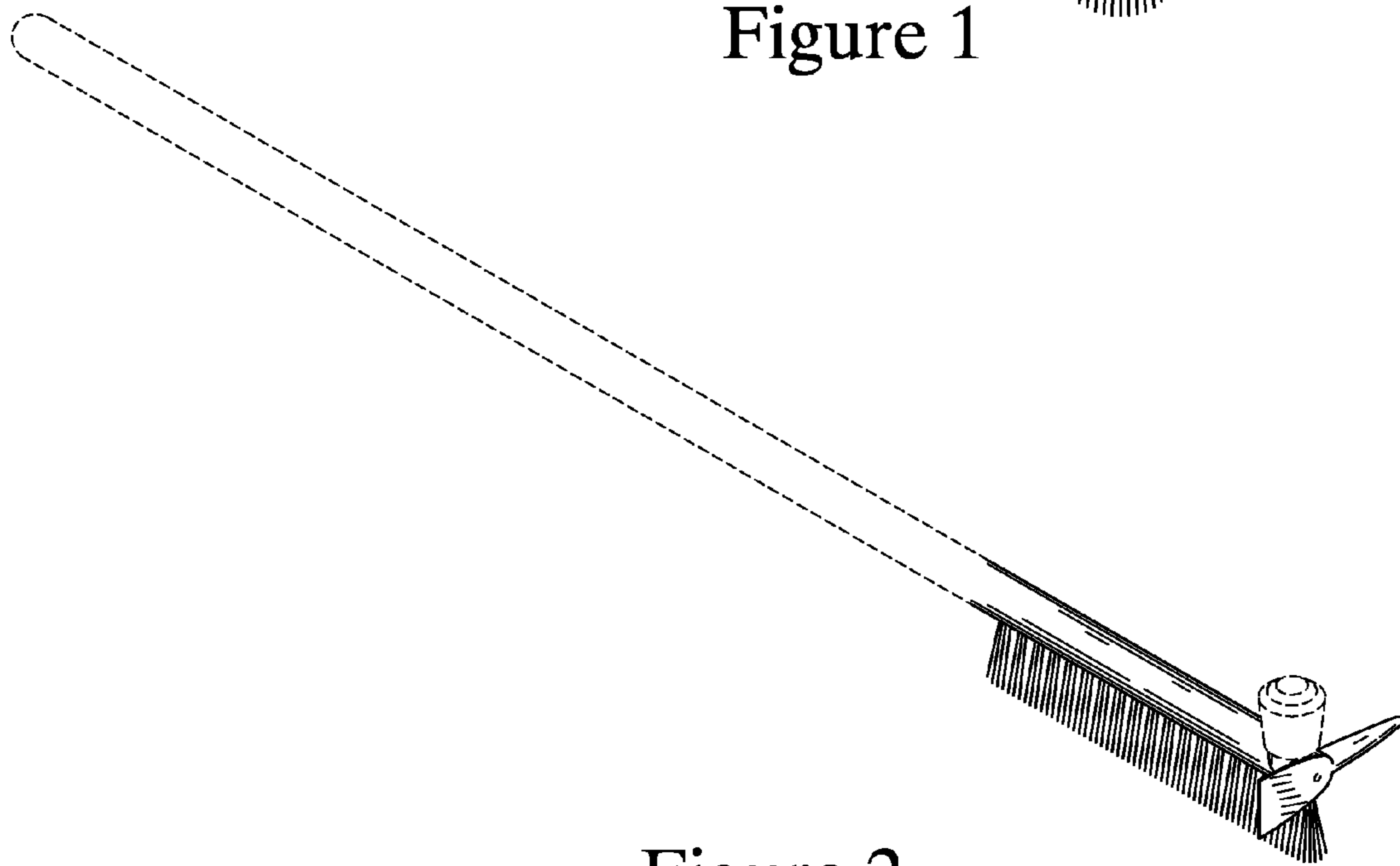


Figure 2

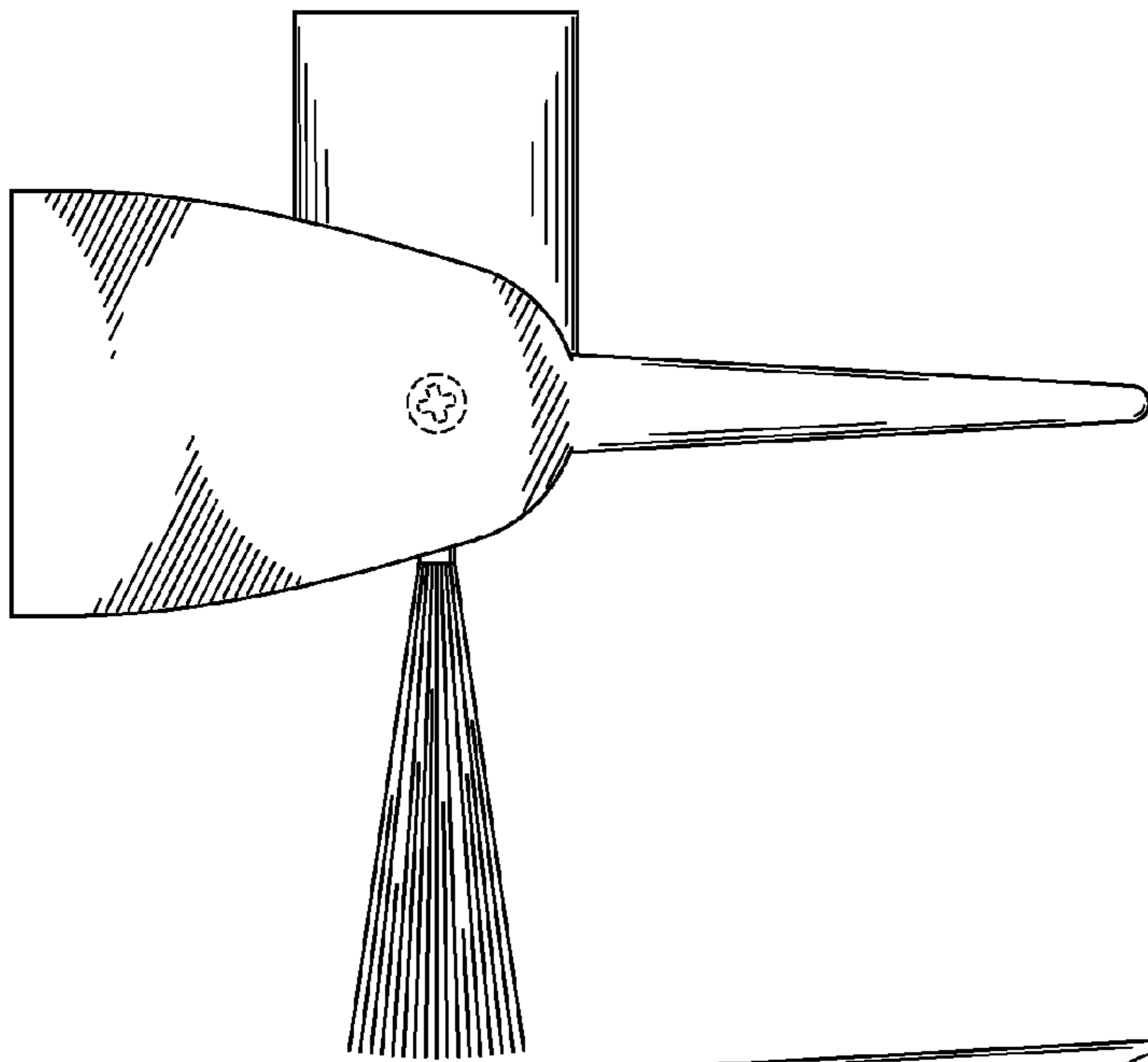


Figure 3

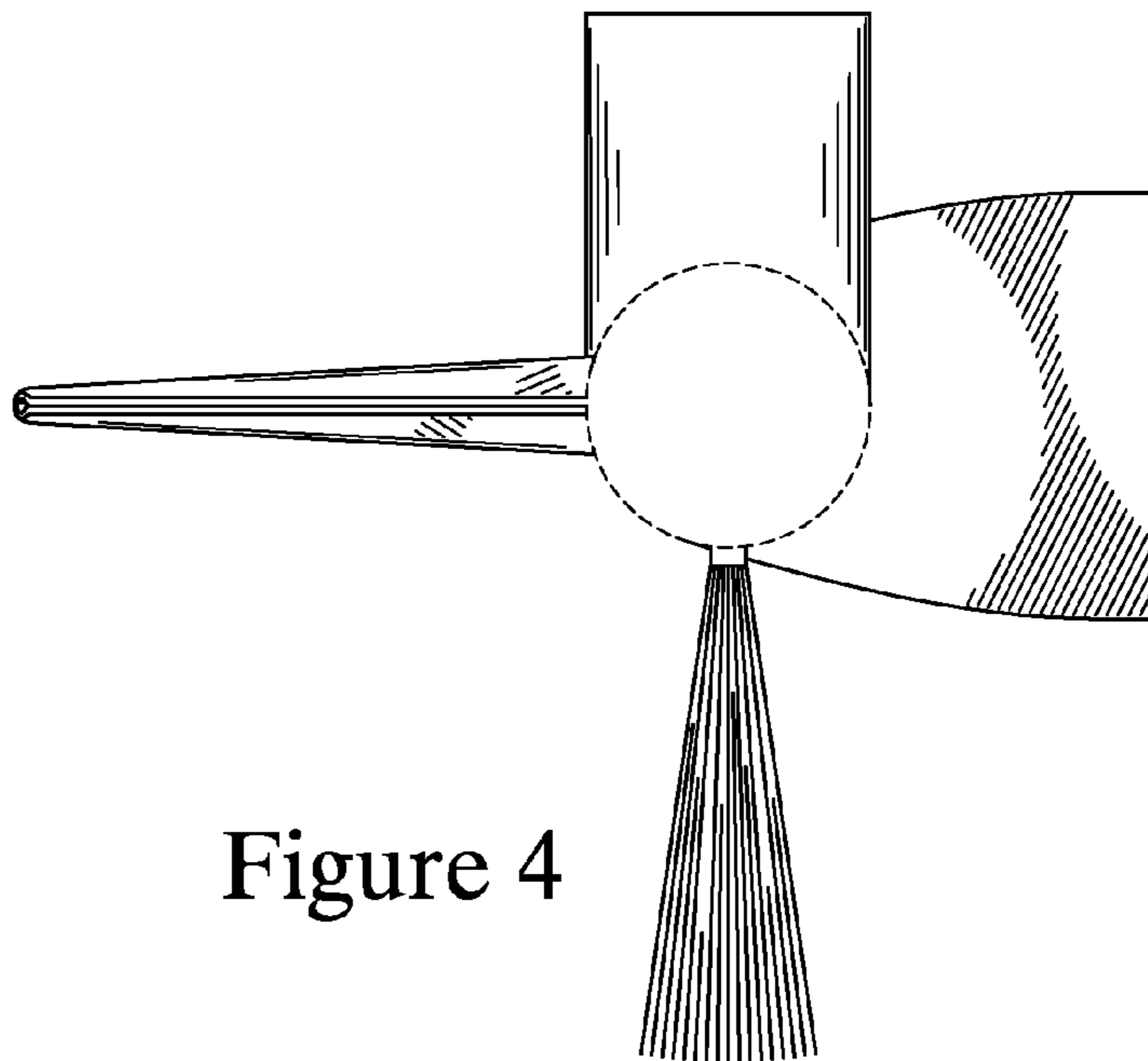


Figure 4

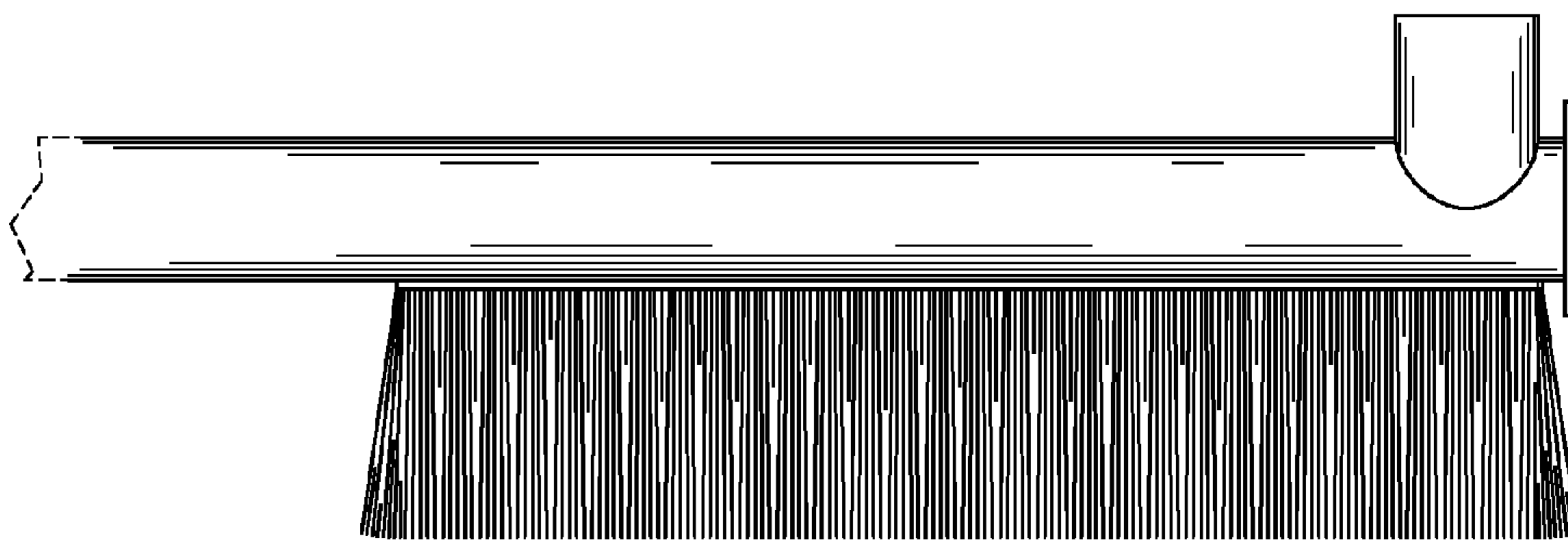


Figure 5

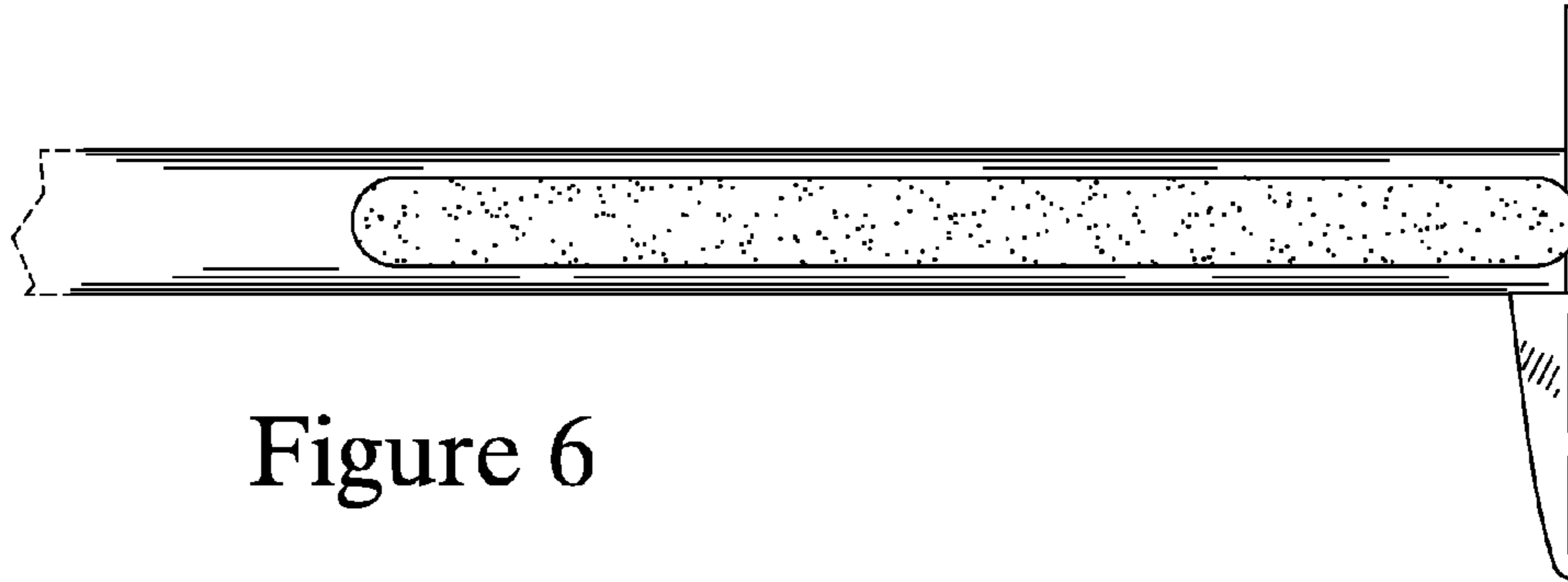


Figure 6



Figure 7

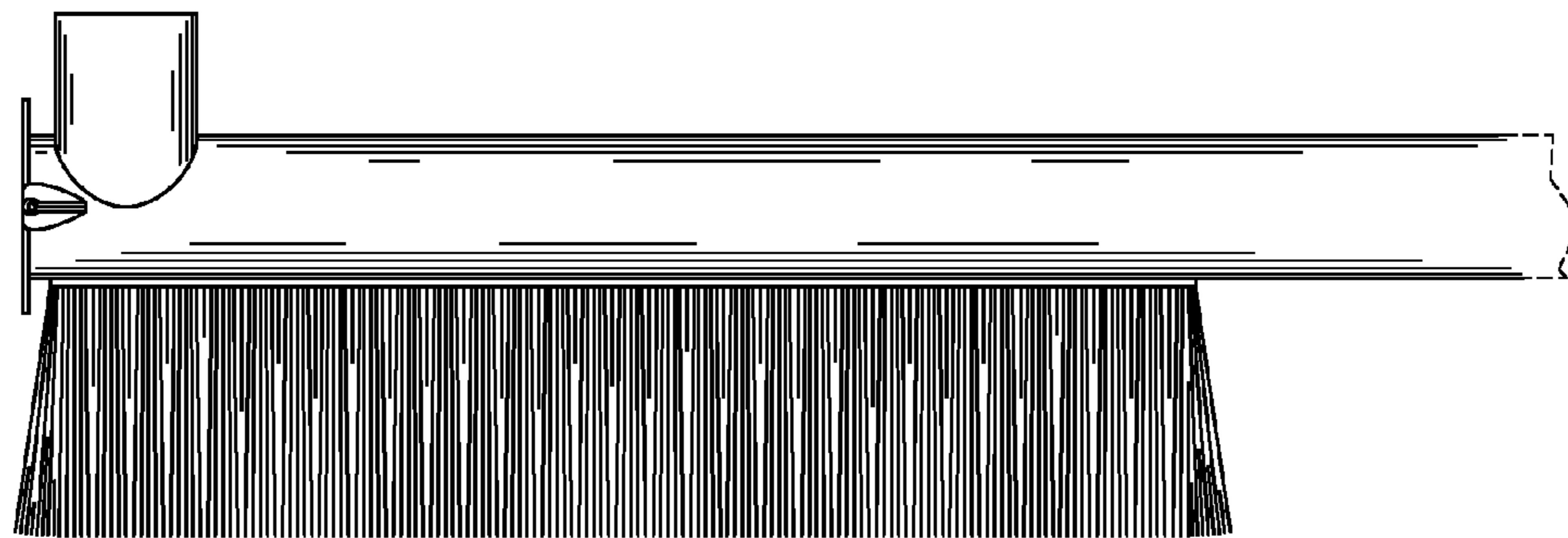


Figure 8