

US00D692670S

(12) **United States Design Patent**
Wu

(10) **Patent No.:** **US D692,670 S**

(45) **Date of Patent:** **** Nov. 5, 2013**

(54) **HANDLE**

(76) **Inventor:** **Chen-Chuan Wu, Hsin Chuang (TW)**

(**) **Term:** **14 Years**

(21) **Appl. No.:** **29/432,466**

(22) **Filed:** **Sep. 14, 2012**

(51) **LOC (9) Cl.** **03-01**

(52) **U.S. Cl.**
USPC **D3/318**

(58) **Field of Classification Search**
USPC D3/318; 190/18 A, 39, 111-115
See application file for complete search history.

(56) **References Cited**

U.S. PATENT DOCUMENTS

D397,928 S * 9/1998 Wise D8/376
5,894,610 A * 4/1999 Winter 4/558

6,216,287 B1 * 4/2001 Wise 4/610
D544,786 S * 6/2007 Barrese D8/376
D636,660 S * 4/2011 O'Connell D8/376

* cited by examiner

Primary Examiner — Holly Baynham

(74) *Attorney, Agent, or Firm* — Muncy, Geissler, Olds & Lowe, PLLC

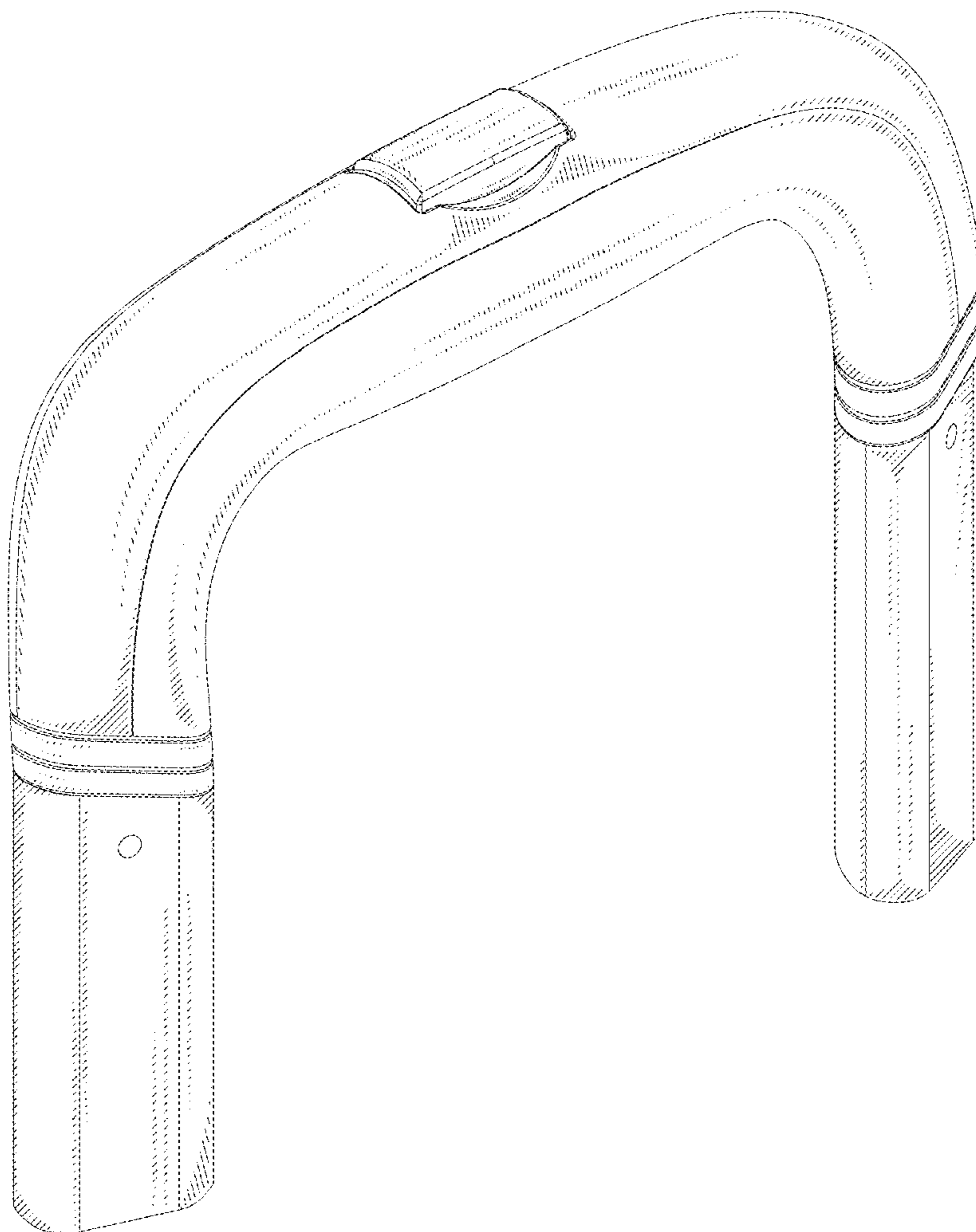
(57) **CLAIM**

The ornamental design for a handle, as shown and described.

DESCRIPTION

FIG. 1 is a perspective view of a handle showing the new design;
FIG. 2 is a front view thereof;
FIG. 3 is a rear view thereof;
FIG. 4 is a left side view thereof;
FIG. 5 is a right side view thereof;
FIG. 6 is a top view thereof; and,
FIG. 7 is a bottom view thereof.

1 Claim, 4 Drawing Sheets



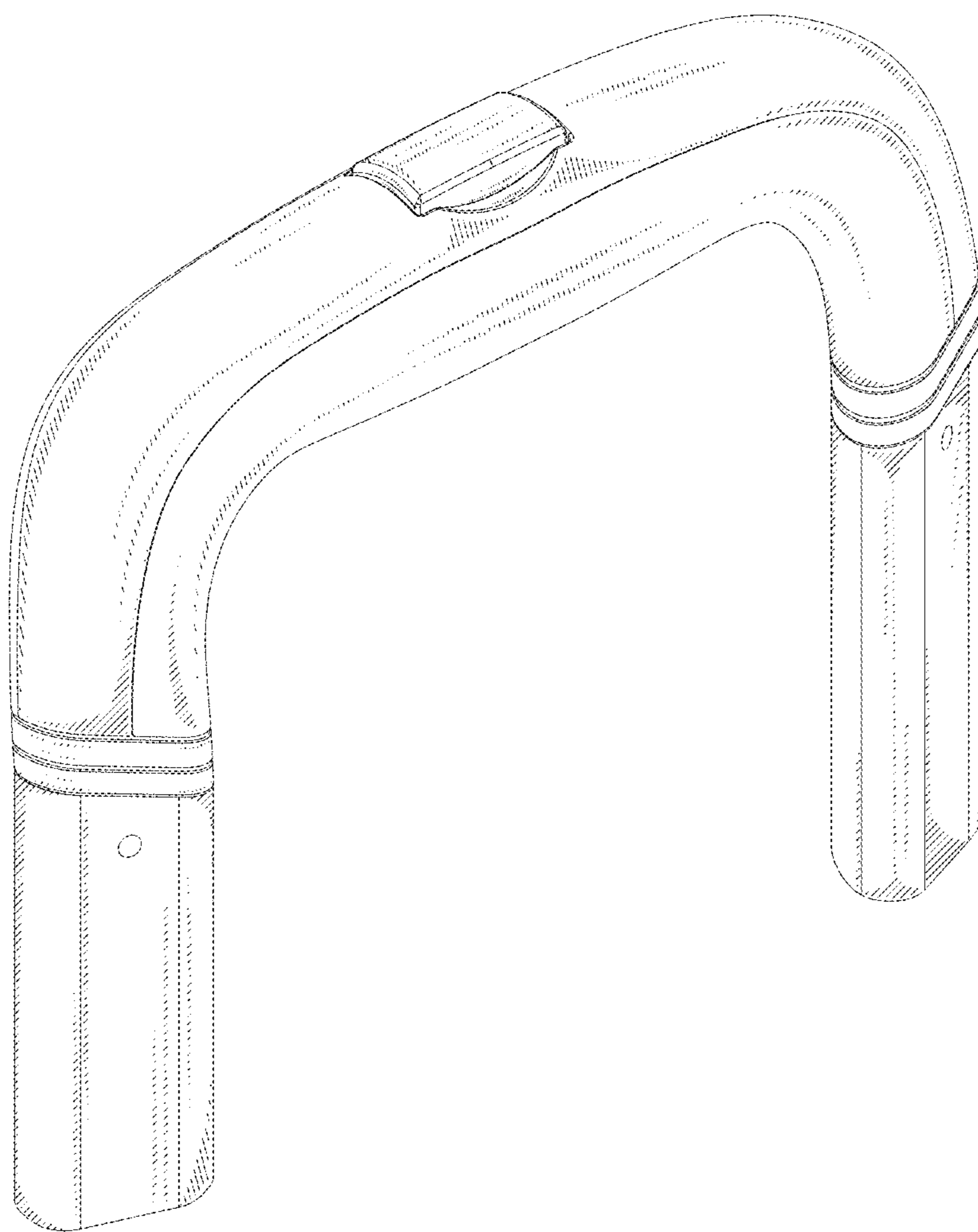


FIG. 1

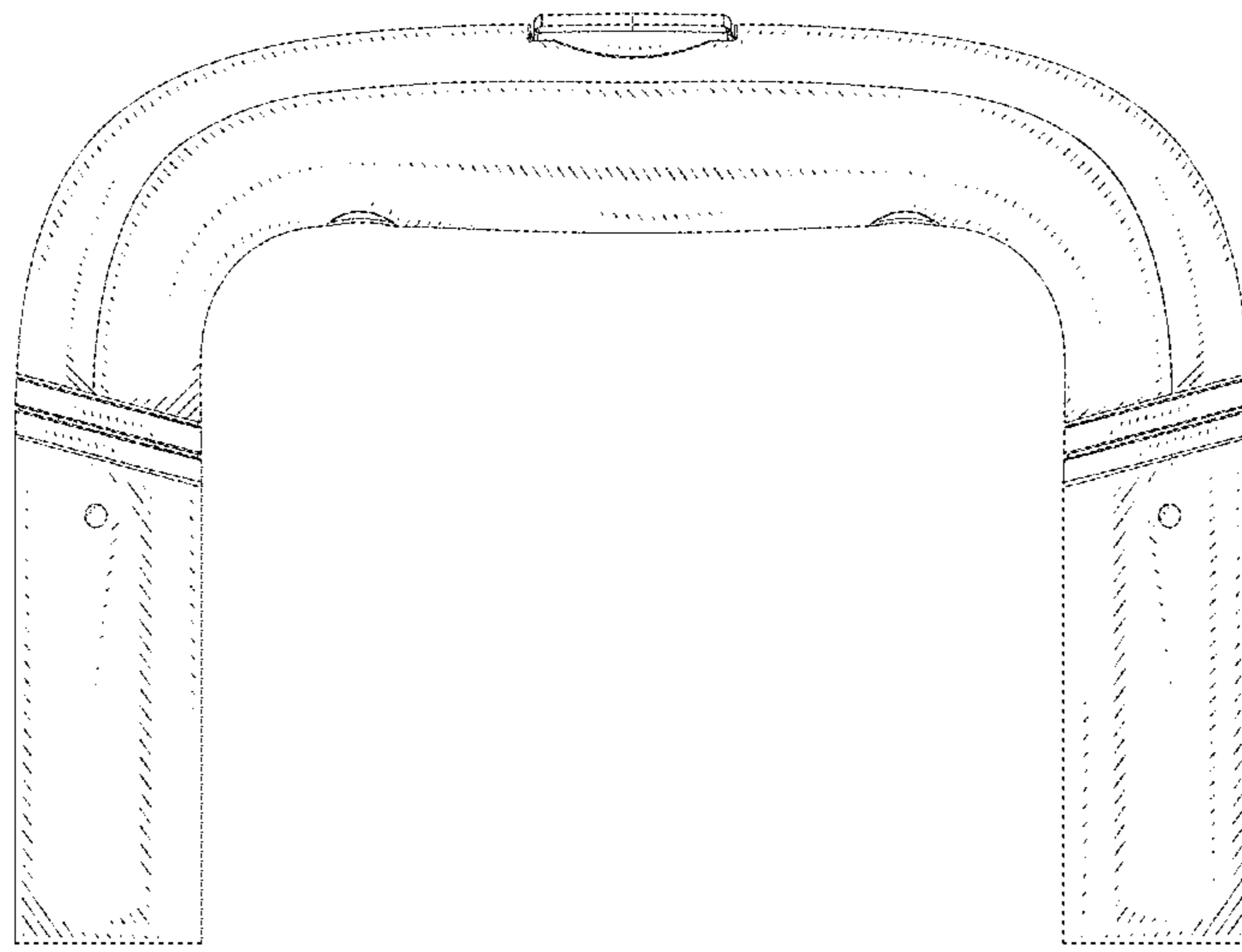


FIG. 2

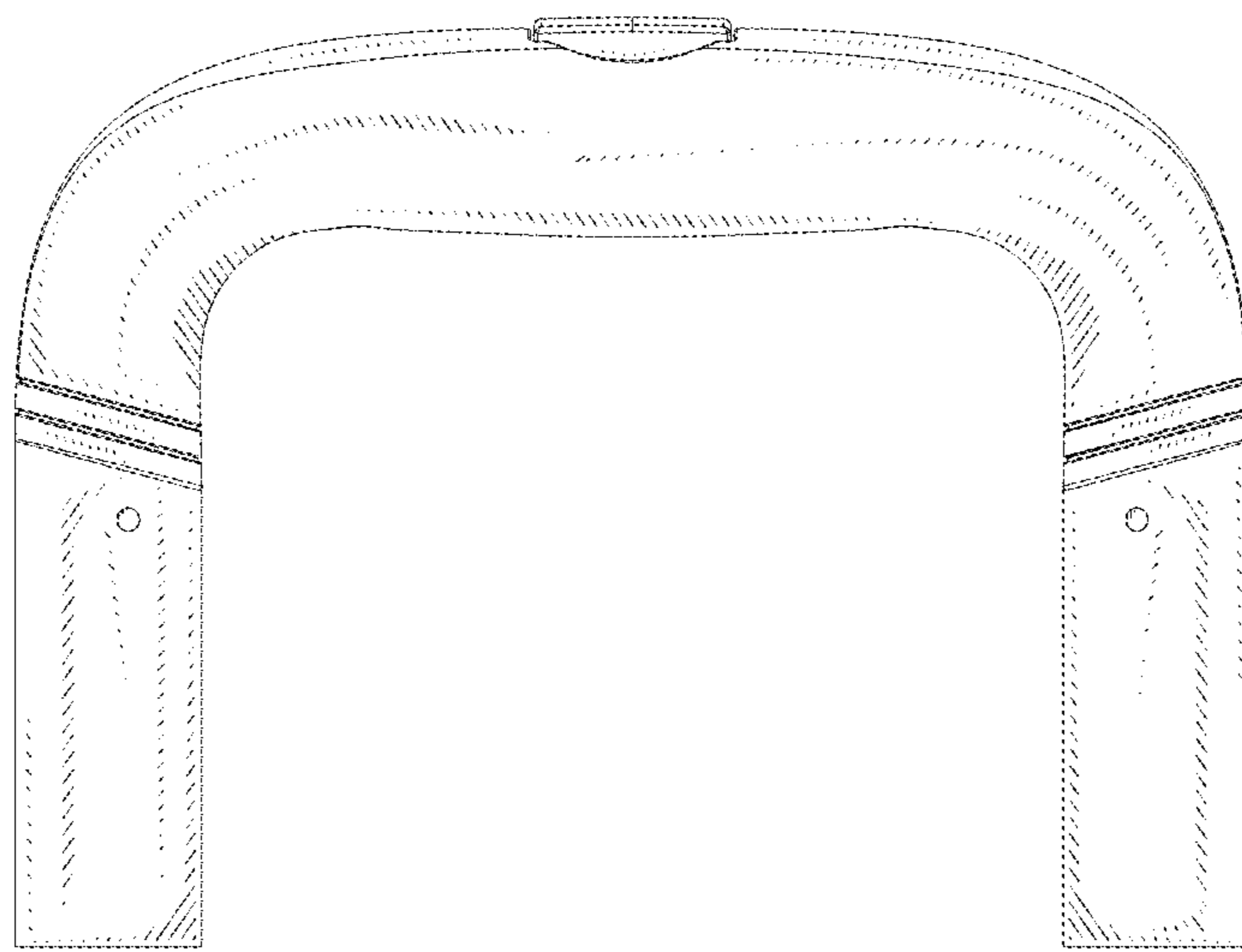


FIG. 3

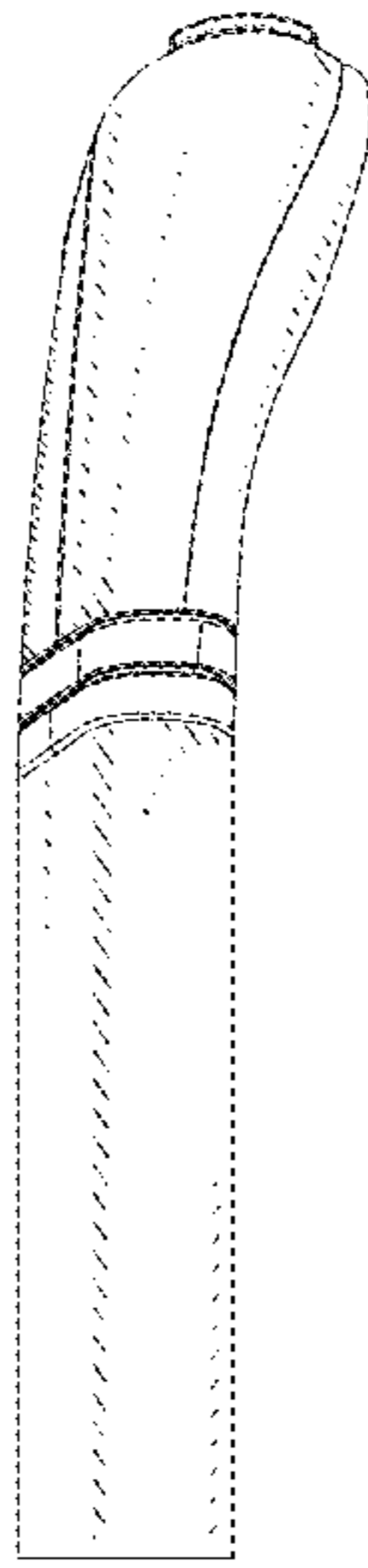


FIG. 4

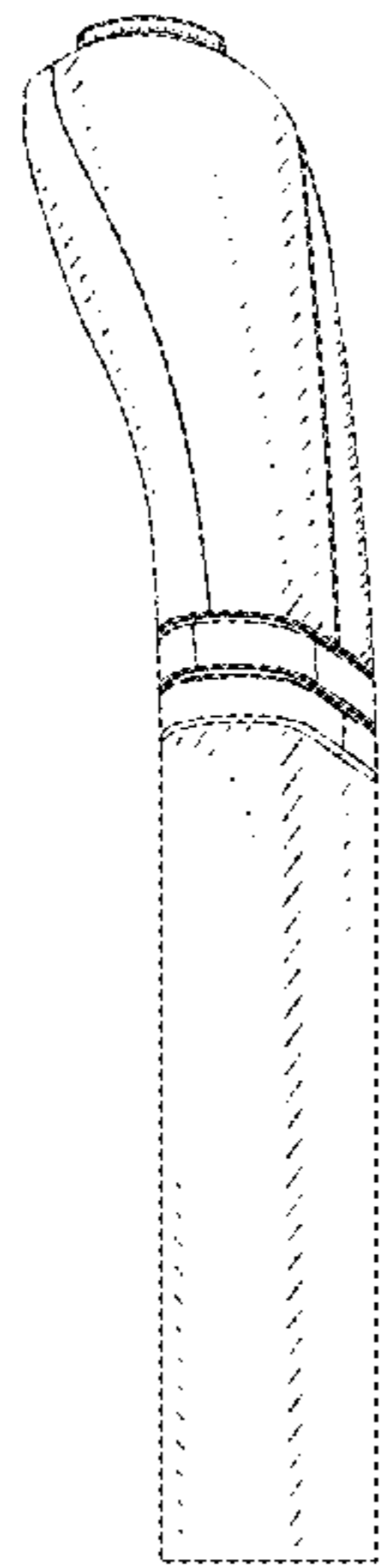


FIG. 5

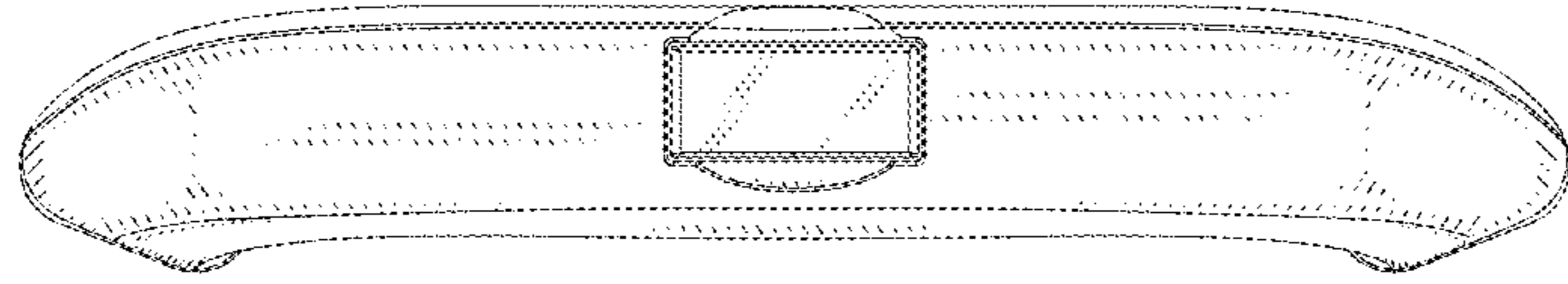


FIG. 6

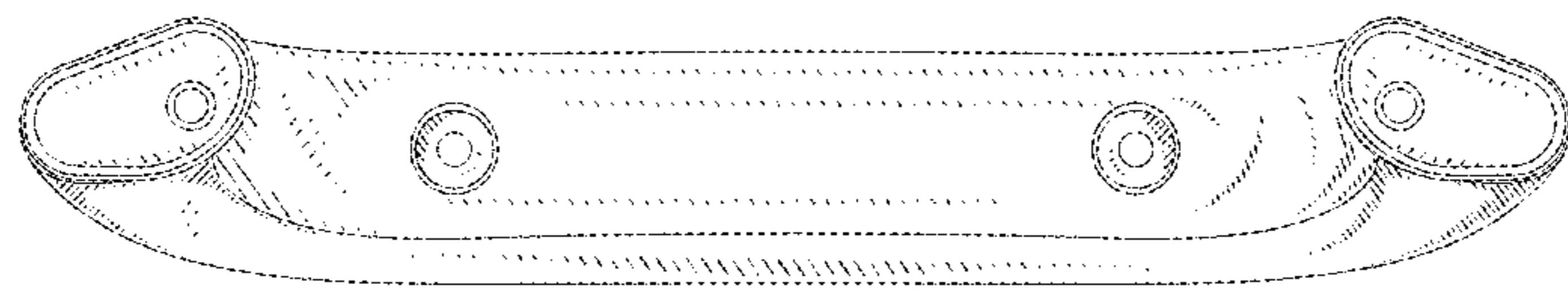


FIG. 7