



US00D692669S

(12) **United States Design Patent**
Yuson

(10) **Patent No.:** **US D692,669 S**

(45) **Date of Patent:** **** Nov. 5, 2013**

(54) **HANDBAG CHAIN**

(75) Inventor: **Marlin Yuson**, Paris (FR)

(73) Assignee: **Cartier Creation Studio SA**, Geneva (CH)

(**) Term: **14 Years**

(21) Appl. No.: **29/427,317**

(22) Filed: **Jul. 17, 2012**

(30) **Foreign Application Priority Data**

Jan. 18, 2012 (WO) DM/078 149

(51) **LOC (9) Cl.** **03-01**

(52) **U.S. Cl.**
USPC **D3/318**

(58) **Field of Classification Search**
USPC D3/232–233, 240–246, 318; 150/100,
150/103–110, 113–114, 117–119
See application file for complete search history.

(56) **References Cited**

U.S. PATENT DOCUMENTS

D501,314 S * 2/2005 Morelli D3/246
D509,060 S * 9/2005 Hanley D3/246

D523,630 S * 6/2006 Handley D3/243
D564,228 S * 3/2008 Morelli D3/246
D566,385 S * 4/2008 Yuson D3/232
D582,666 S * 12/2008 Javits, Jr. D3/232
D594,651 S * 6/2009 Fendi D3/243
D650,588 S * 12/2011 Gonzalez D3/318

* cited by examiner

Primary Examiner — Holly Baynham

(74) *Attorney, Agent, or Firm* — Krieg DeVault LLP;
Clifford W. Browning

(57) **CLAIM**

The ornamental design for a handbag chain, as shown and described.

DESCRIPTION

FIG. 1 is a top view of the handbag chain of the present invention.

FIG. 2 is a bottom view of the handbag chain of FIG. 1.

FIG. 3 is a front view of the handbag chain of FIG. 1.

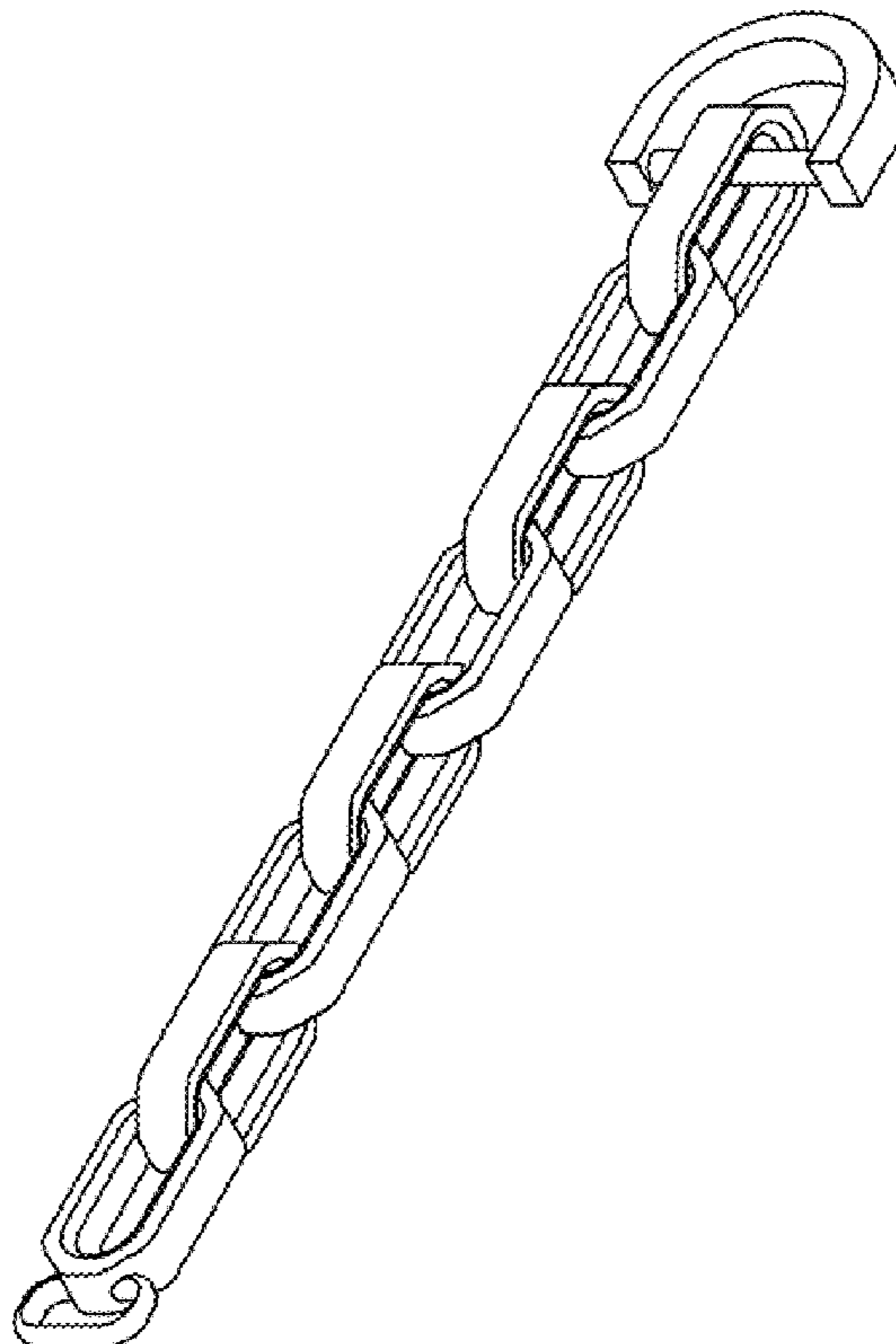
FIG. 4 is a rear view of the handbag chain of FIG. 1.

FIG. 5 is a left view of the handbag chain of FIG. 1.

FIG. 6 is a right view of the handbag chain of FIG. 1; and,

FIG. 7 is a top, right-side perspective view of the handbag chain of FIG. 1.

1 Claim, 1 Drawing Sheet



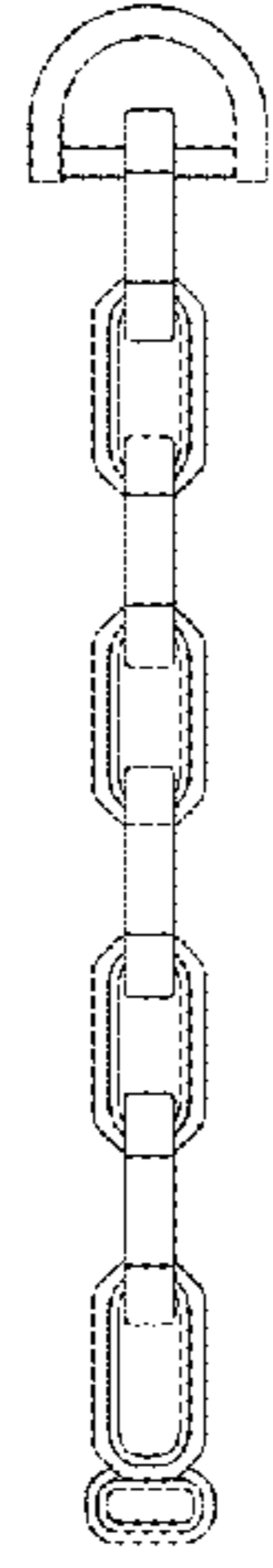


FIG. 1

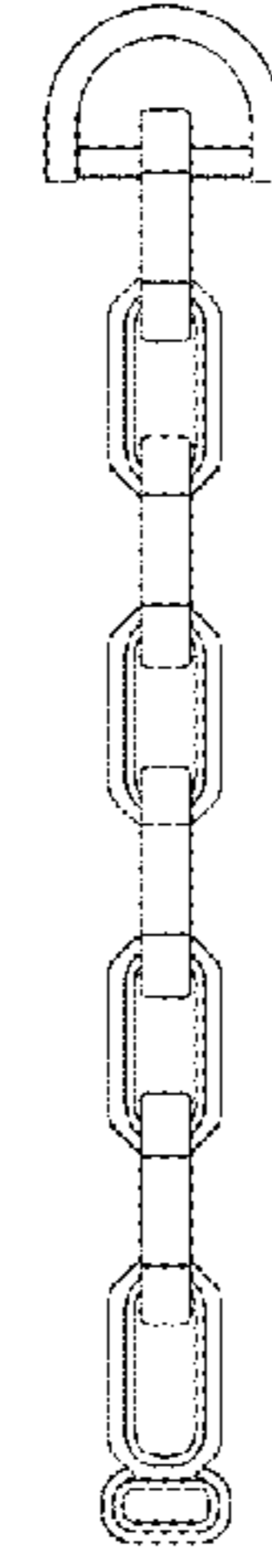


FIG. 2

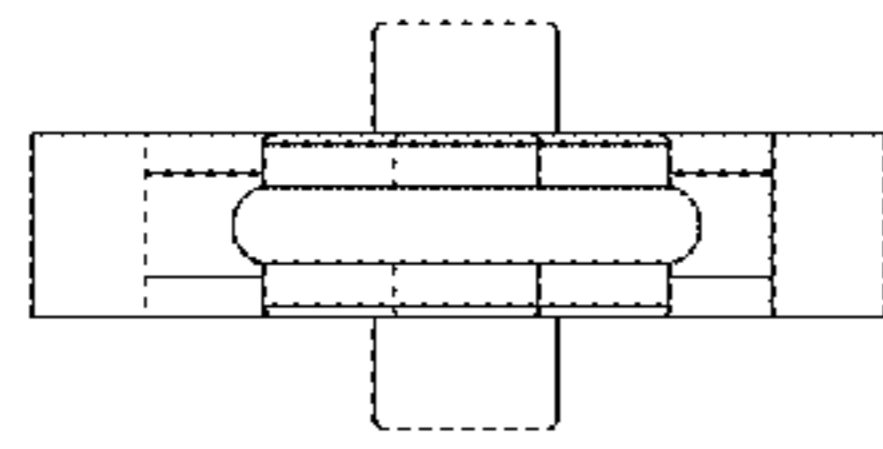


FIG. 3

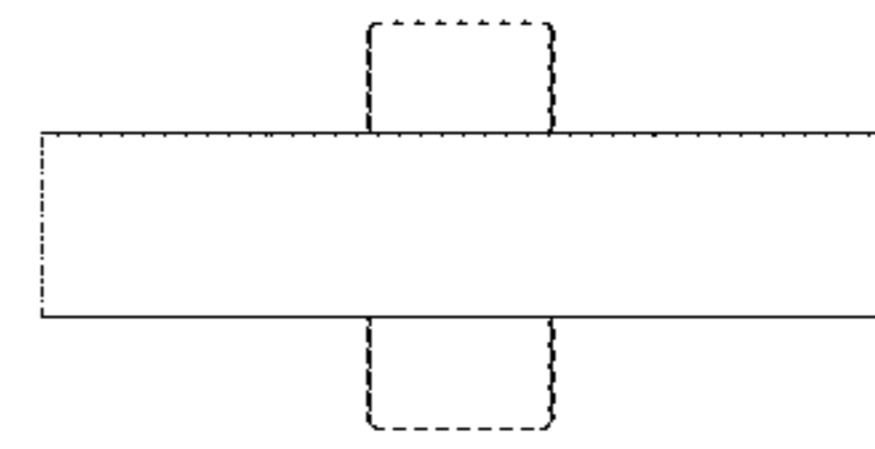


FIG. 4

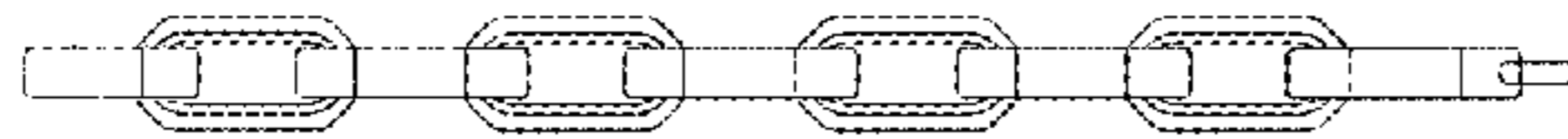


FIG. 5

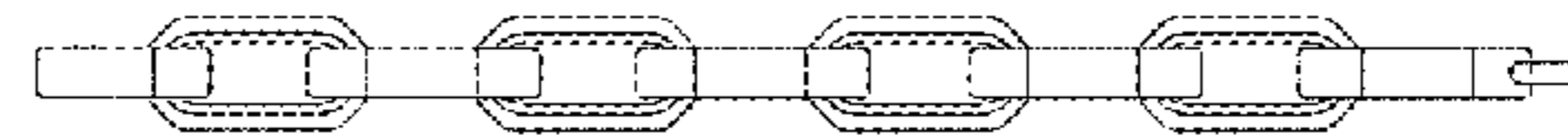


FIG. 6

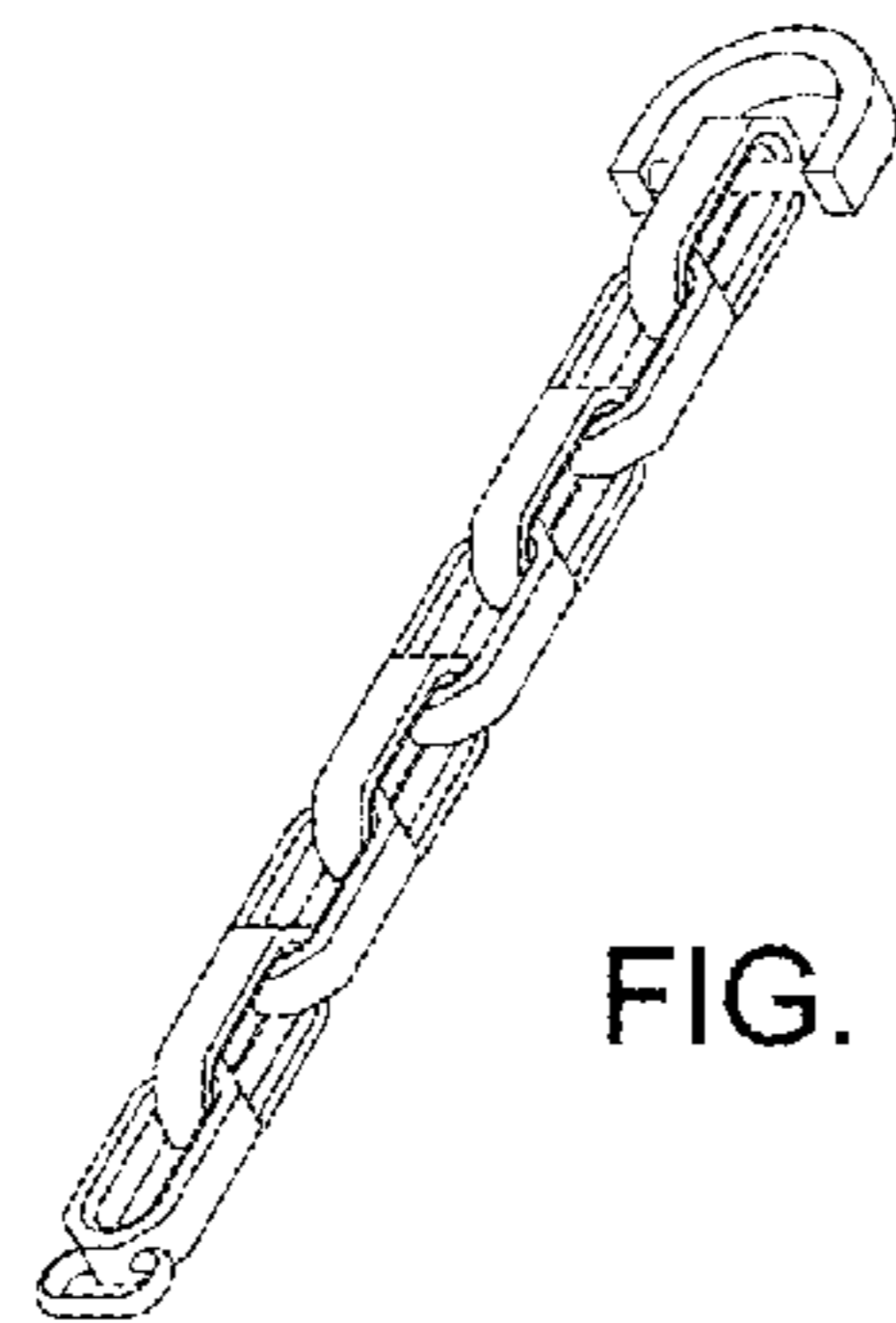


FIG. 7