



US00D692664S

(12) **United States Design Patent**
Rashid

(10) **Patent No.:** **US D692,664 S**
(45) **Date of Patent:** **** Nov. 5, 2013**

(54) **MOBILE PHONE CASE**
(75) Inventor: **Karim Rashid**, New York, NY (US)
(73) Assignee: **KDDI Corporation**, Tokyo (JP)
(**) Term: **14 Years**
(21) Appl. No.: **29/403,761**

D627,965 S * 11/2010 Berck D3/247
D669,272 S * 10/2012 Yang et al. D3/303
D670,910 S * 11/2012 Lee et al. D3/269
D676,656 S * 2/2013 Phillips et al. D3/303
D680,741 S * 4/2013 Harris D3/303
D680,742 S * 4/2013 Harris D3/303
D682,551 S * 5/2013 Phillips et al. D3/303
D683,540 S * 6/2013 Phillips et al. D3/303
D685,579 S * 7/2013 Phillips et al. D3/303

* cited by examiner

(22) Filed: **Oct. 11, 2011**

Primary Examiner — Sheryl Lane

(30) **Foreign Application Priority Data**

(74) *Attorney, Agent, or Firm* — Westerman, Hattori, Daniels & Adrian, LLP

Apr. 11, 2011 (JP) 2011-008296

(57) **CLAIM**

(51) **LOC (9) Cl.** **03-01**

The ornamental design for a mobile phone case, as shown and described.

(52) **U.S. Cl.**

DESCRIPTION

USPC **D3/303**

(58) **Field of Classification Search**

USPC D3/299, 303, 290, 247, 249–253, 300,
D3/215; 206/503–507, 509–510, 514–515,
206/518, 576, 701, 703, 37–38

See application file for complete search history.

FIG. 1 is a perspective view of a mobile phone case.
FIG. 2 is a front elevation view thereof.
FIG. 3 is a rear elevation view thereof.
FIG. 4 is a top plan view thereof.
FIG. 5 is a bottom plan view thereof.
FIG. 6 is a left side elevation view thereof.
FIG. 7 is a right side elevation view thereof; and,
FIG. 8 is a reference view showing use.

(56) **References Cited**

U.S. PATENT DOCUMENTS

D389,304 S * 1/1998 Ault et al. D3/251
D497,247 S * 10/2004 Kamiya D3/218
D596,841 S * 7/2009 Rein et al. D3/203.5

The portion of the article shown in broken lines is for the purpose of showing environmental structure only and forms no part of the claimed design.

1 Claim, 8 Drawing Sheets

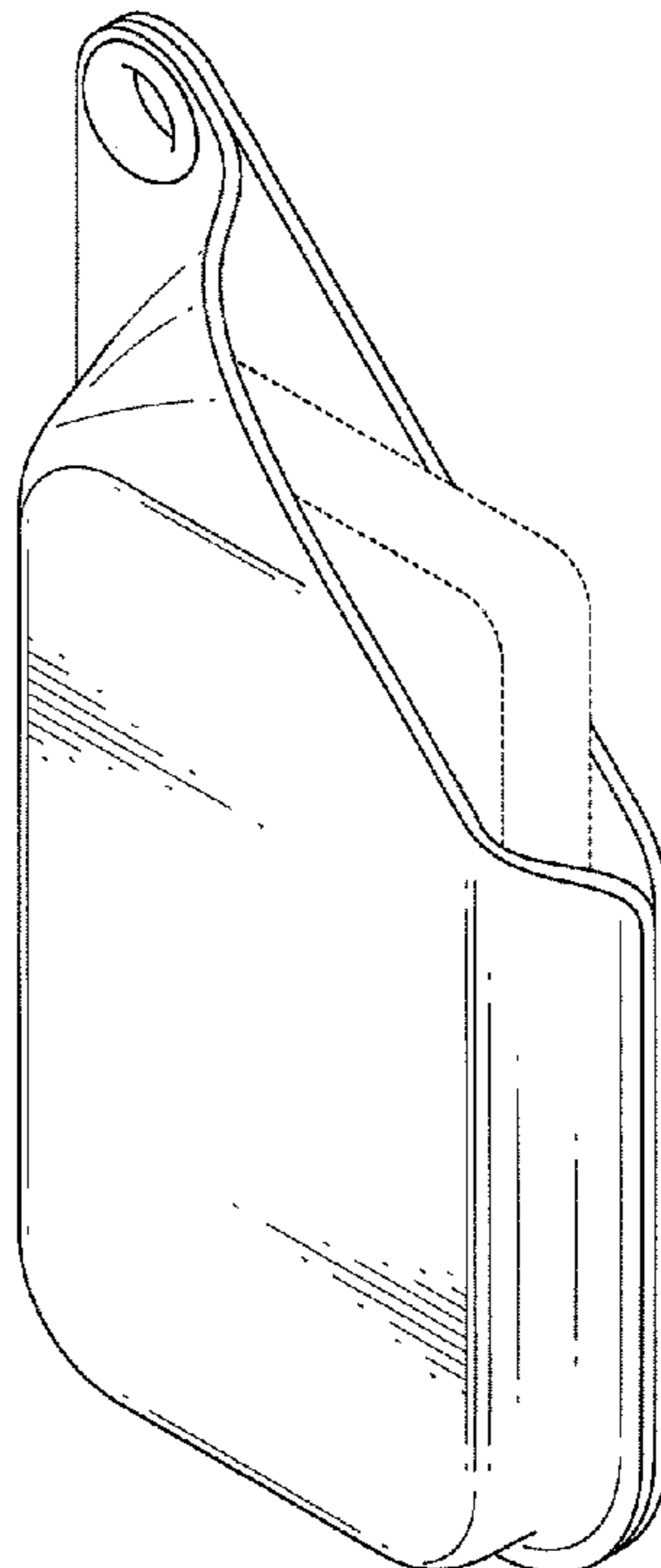


FIG. 1

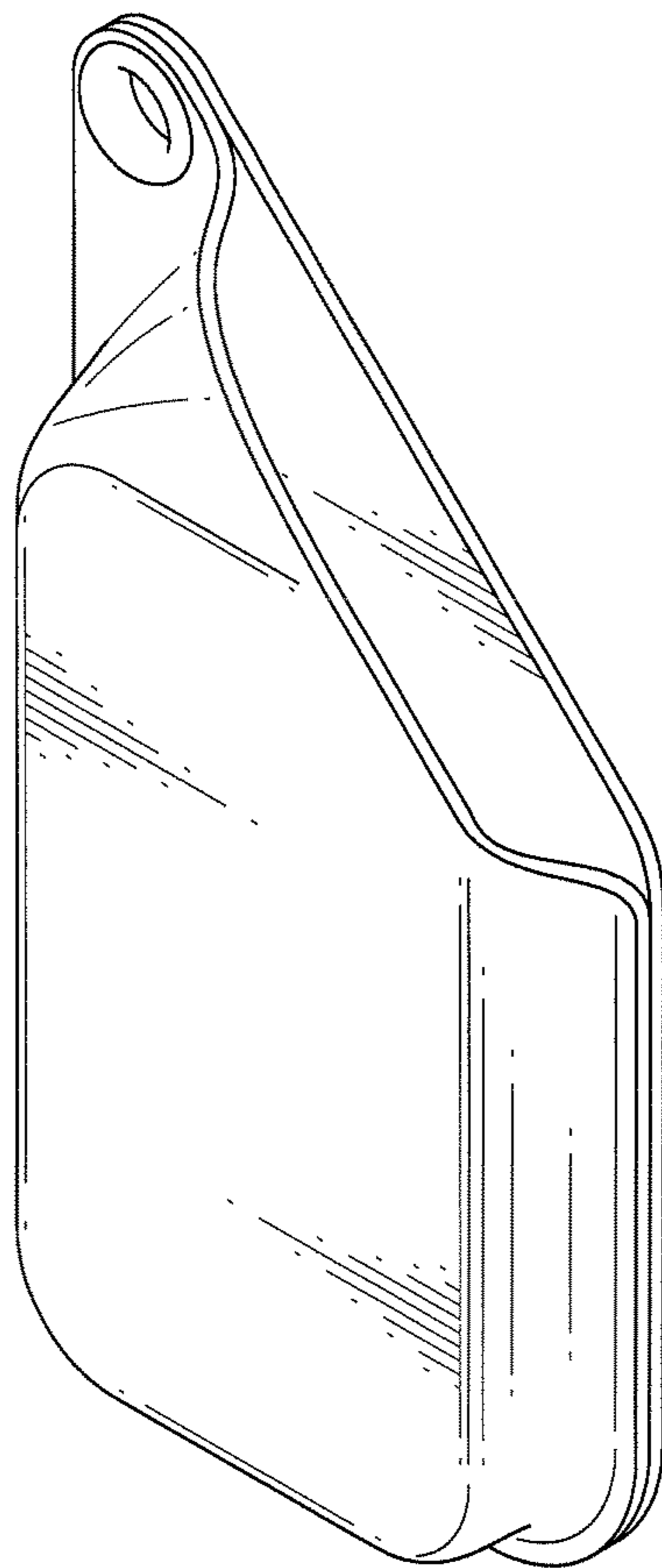


FIG. 2

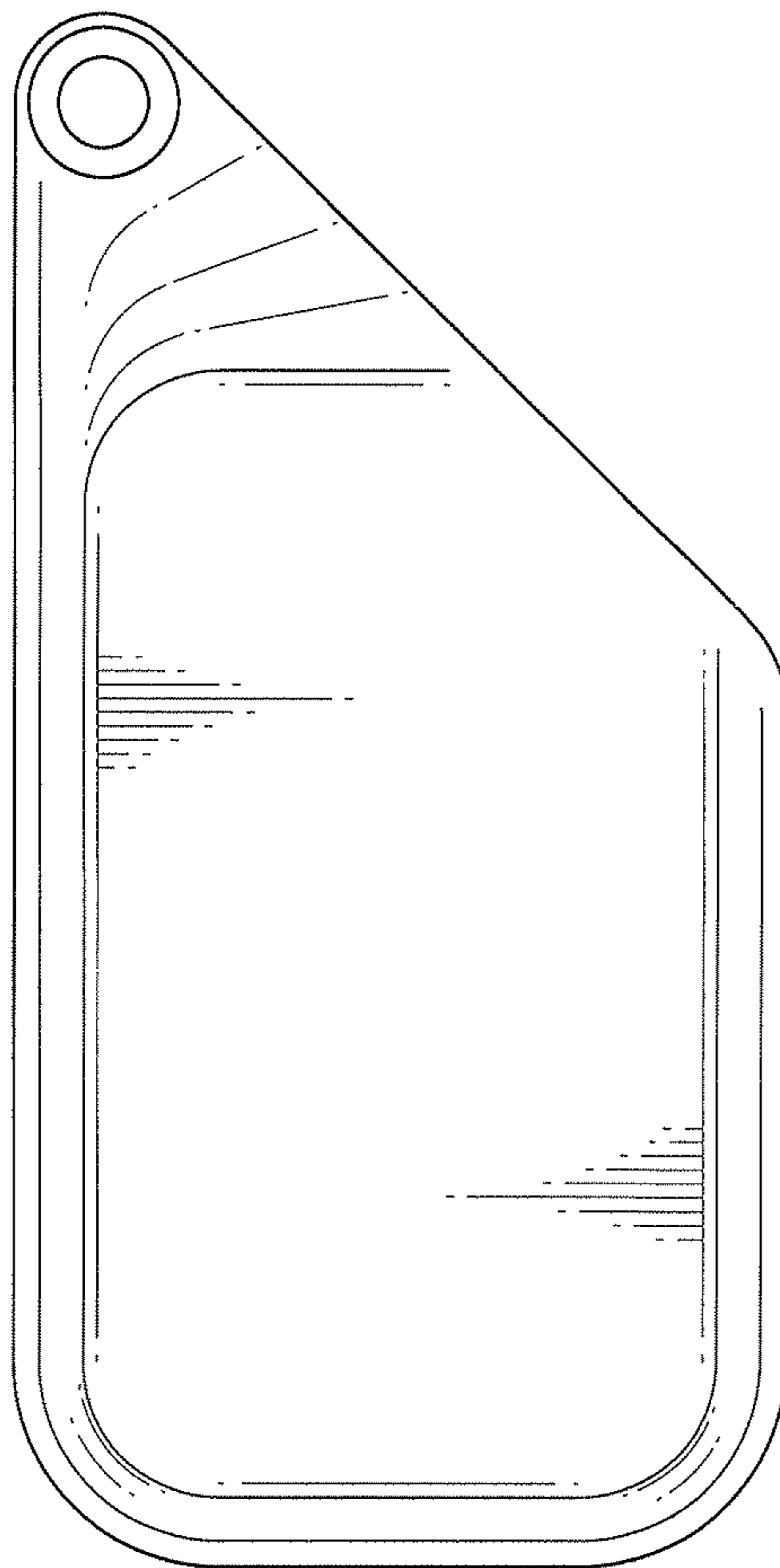


FIG. 3

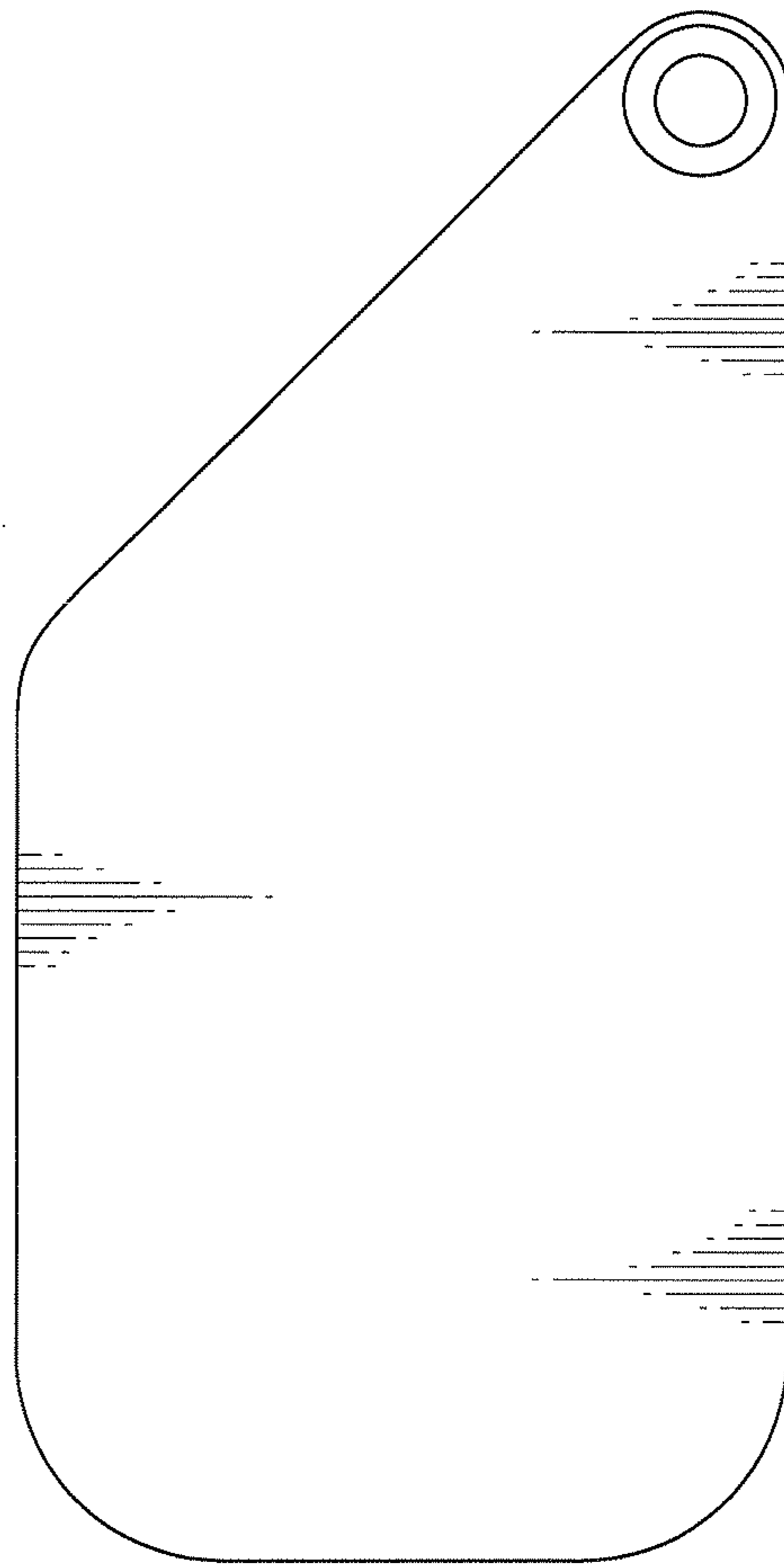


FIG. 4

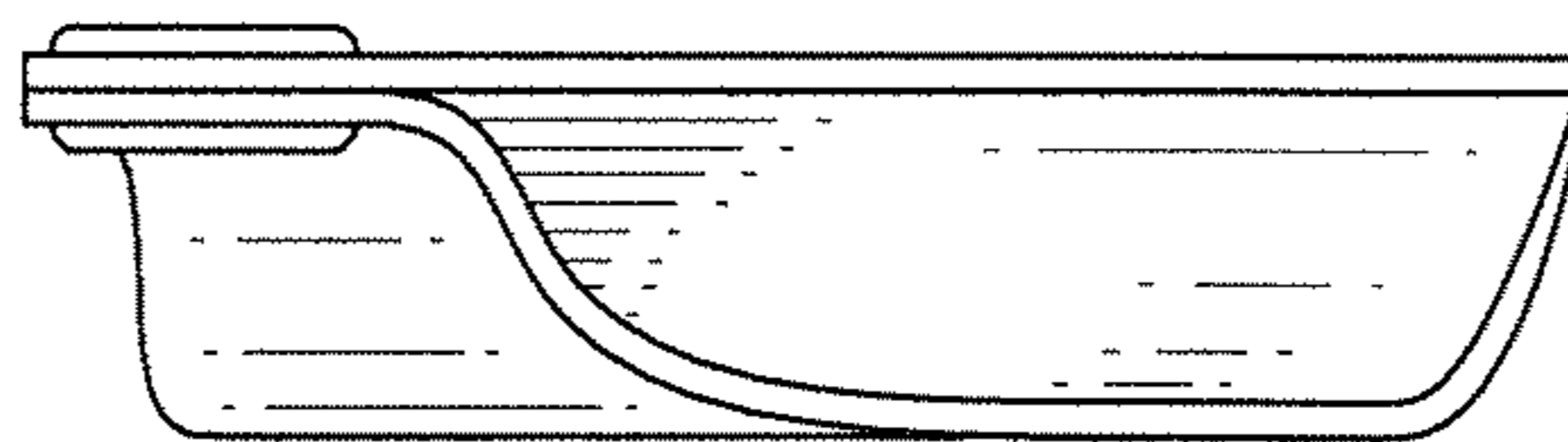


FIG. 5

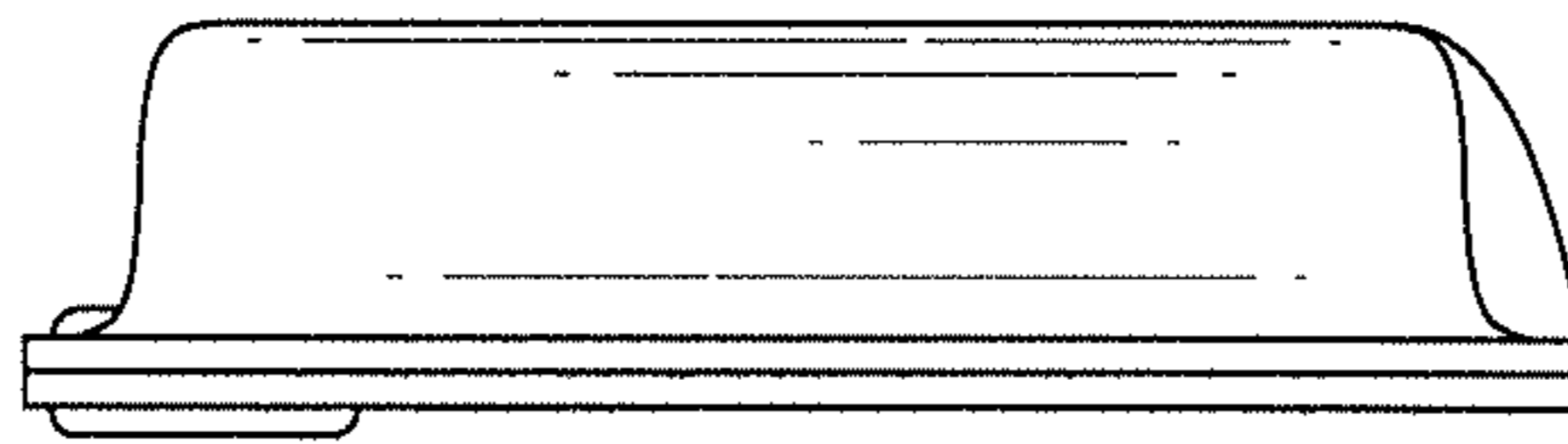


FIG. 6

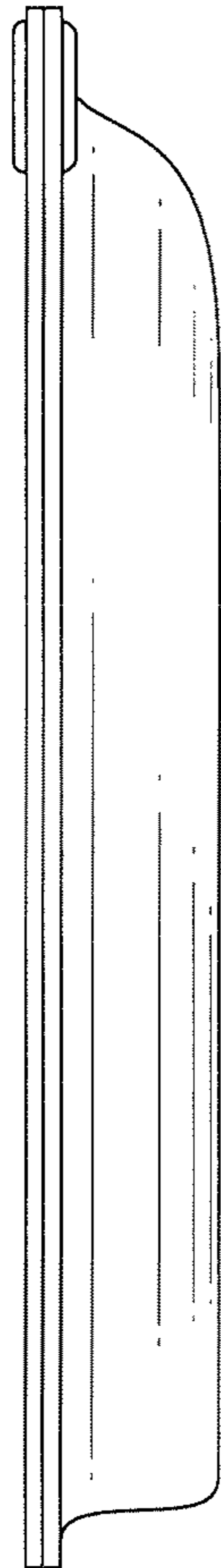


FIG. 7

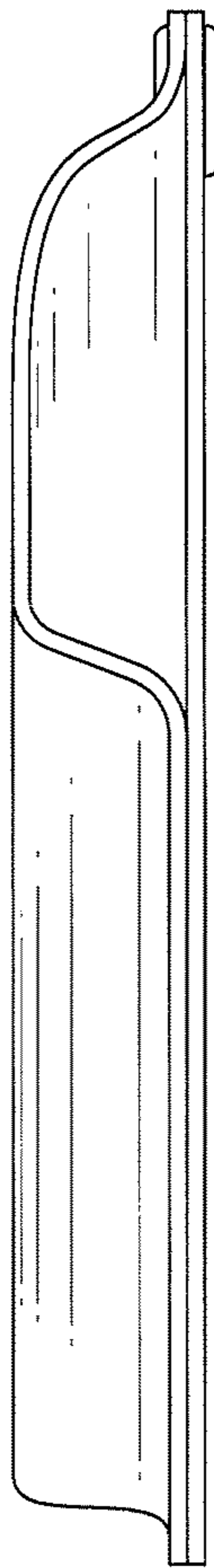


FIG. 8

