



US00D692658S

(12) **United States Design Patent**  
**Bensman et al.**

(10) **Patent No.:** **US D692,658 S**

(45) **Date of Patent:** **\*\* Nov. 5, 2013**

(54) **ROLLING CONTAINER ASSEMBLY**

(75) Inventors: **Mark Bensman**, Rosh Ha'Ayin (IL);  
**Nadin Daniel Horovitz**, Rehovot (IL)

(73) Assignee: **The Stanley Works Israel Ltd.**, Rosh  
Ha'Ayin (IL)

(\*\*) Term: **14 Years**

(21) Appl. No.: **29/407,043**

(22) Filed: **Nov. 22, 2011**

(51) **LOC (9) Cl.** ..... **03-01**

(52) **U.S. Cl.**  
USPC ..... **D3/279; D3/281; D3/283; D3/905;**  
**D34/25**

(58) **Field of Classification Search**  
USPC ..... 280/47.26, 47.19; 220/4.27; 206/503,  
206/372-379; D3/273, 274, 276, 279, 281,  
D3/282, 283-288, 905; D34/19, 25;  
312/108

See application file for complete search history.

(56) **References Cited**

**U.S. PATENT DOCUMENTS**

6,176,559	B1 *	1/2001	Tiramani et al.	280/47.26
D437,484	S *	2/2001	Tiramani et al.	D3/279
6,371,320	B2 *	4/2002	Sagol	220/4.27
D462,168	S *	9/2002	Klemmensen et al.	D3/279
D462,170	S *	9/2002	Chen et al.	D3/279

D596,367	S *	7/2009	Katz	D34/19
D610,830	S *	3/2010	Hand	D3/297
D630,851	S *	1/2011	Landau et al.	D3/279
D653,832	S *	2/2012	Vilkomirski et al.	D34/25
8,132,819	B2 *	3/2012	Landau et al.	280/47.26
D661,858	S *	6/2012	Lifshitz et al.	D34/25
D668,048	S *	10/2012	Vilkomirski et al.	D3/281
2002/0030425	A1 *	3/2002	Tiramani et al.	280/47.26
2007/0273114	A1 *	11/2007	Katz	280/47.26
2011/0181008	A1 *	7/2011	Bensman et al.	280/47.26
2012/0326406	A1 *	12/2012	Lifshitz et al.	206/503

\* cited by examiner

*Primary Examiner* — Jennifer Rivard

(74) *Attorney, Agent, or Firm* — Pillsbury Winthrop Shaw  
Pittman LLP

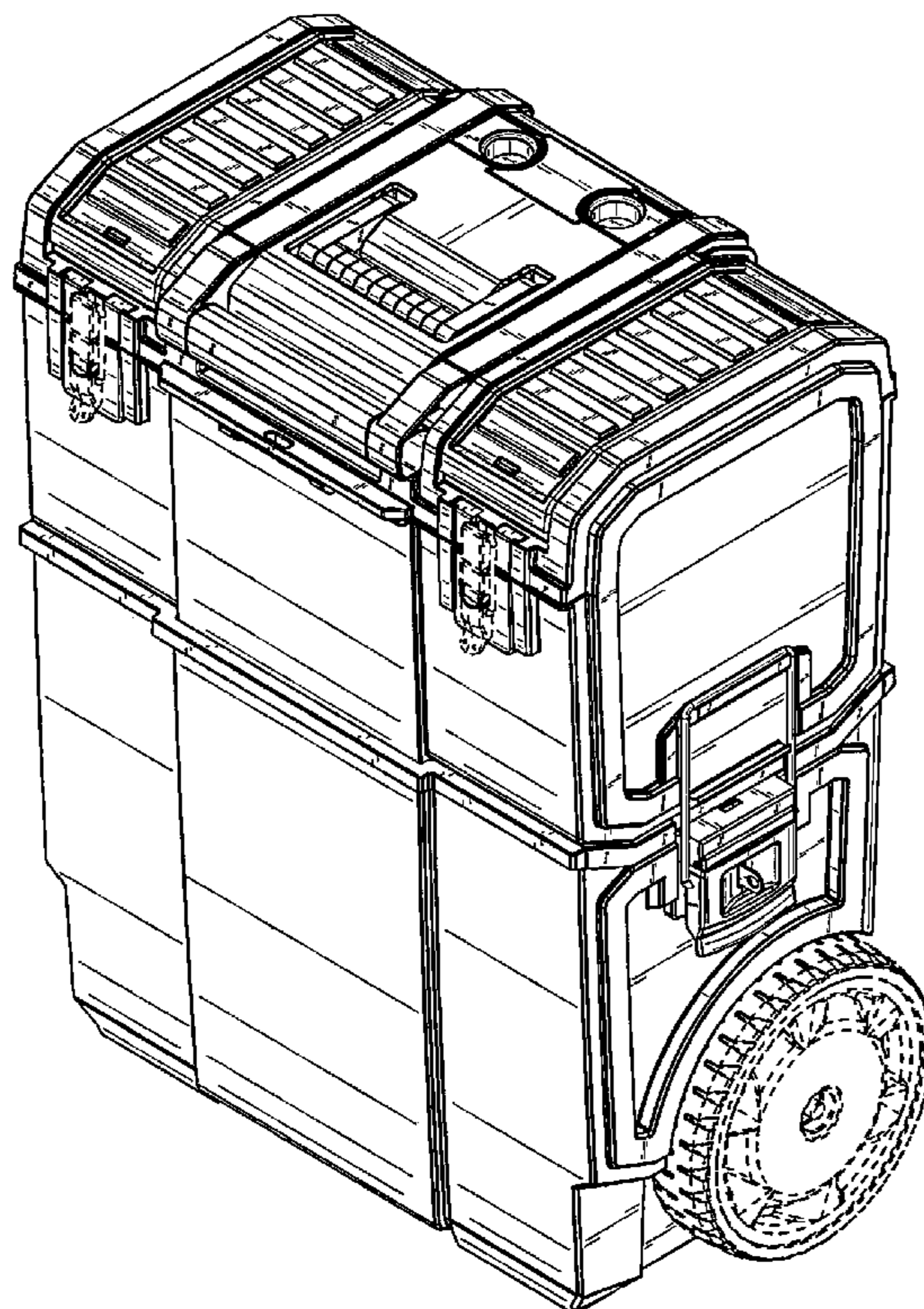
(57) **CLAIM**

The ornamental design for a rolling container assembly, as  
shown and described.

**DESCRIPTION**

FIG. 1 is an isometric view according to our design;  
FIG. 2 is a front elevational view of the design of FIG. 1;  
FIG. 3 is a rear elevational view of the design of FIG. 1;  
FIG. 4 is a right side view of the design of FIG. 1;  
FIG. 5 is a left side view of the design of FIG. 1;  
FIG. 6 is a top plan view of the design of FIG. 1; and,  
FIG. 7 is a bottom plan view of the design of FIG. 1.  
The broken lines shown in the drawings illustrate portions of  
the article and form no part of the claimed design.

**1 Claim, 7 Drawing Sheets**



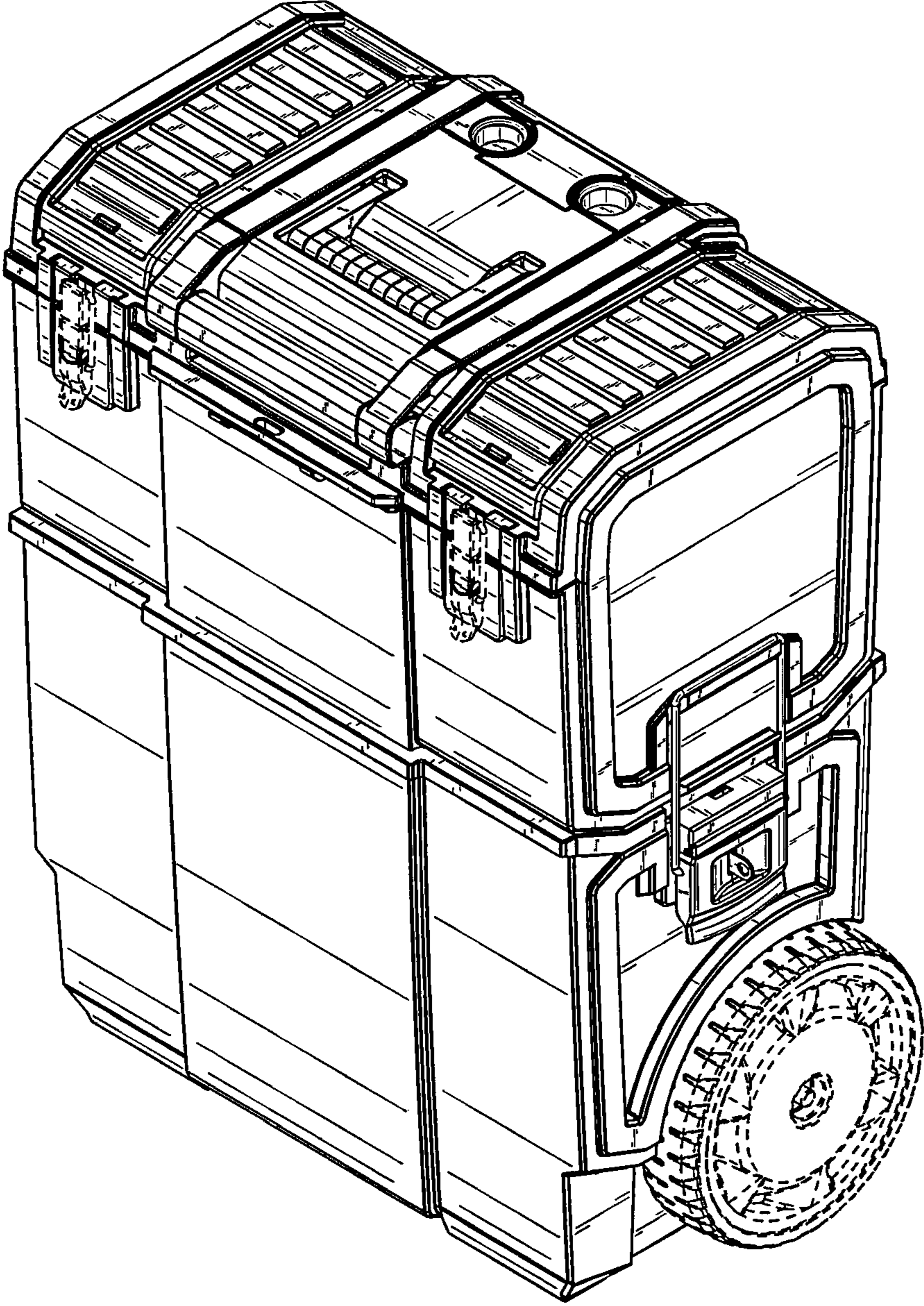


FIG. 1

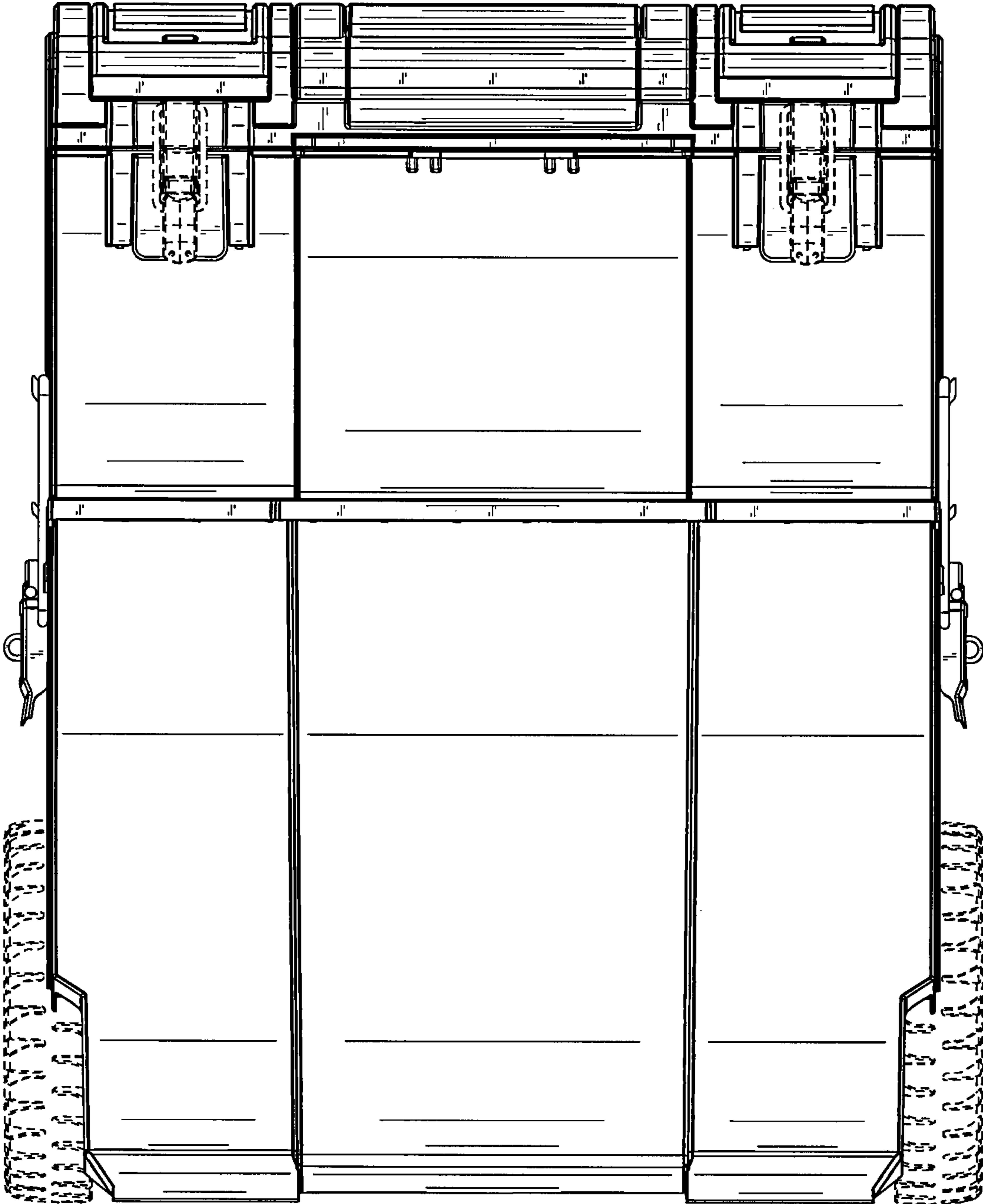


FIG. 2

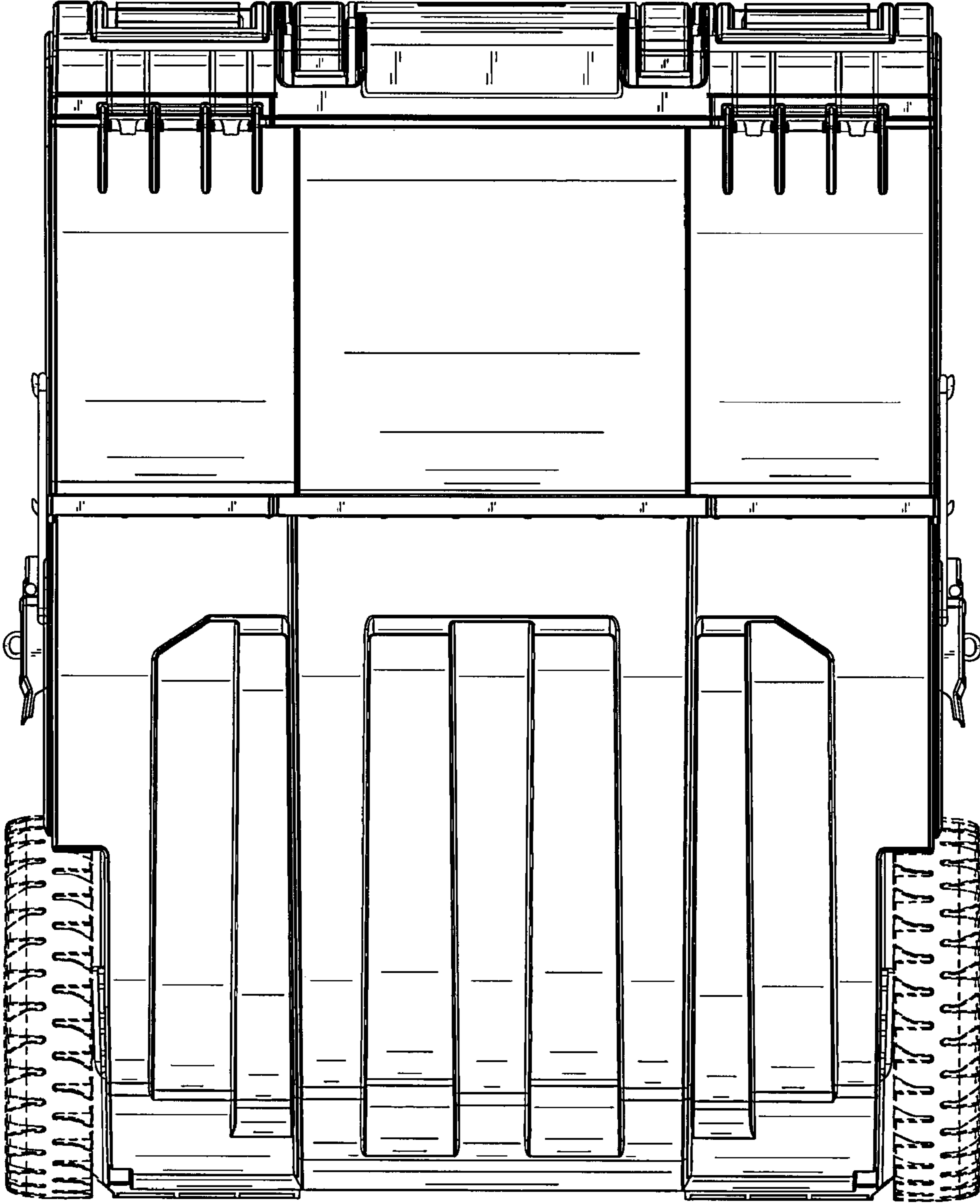


FIG. 3

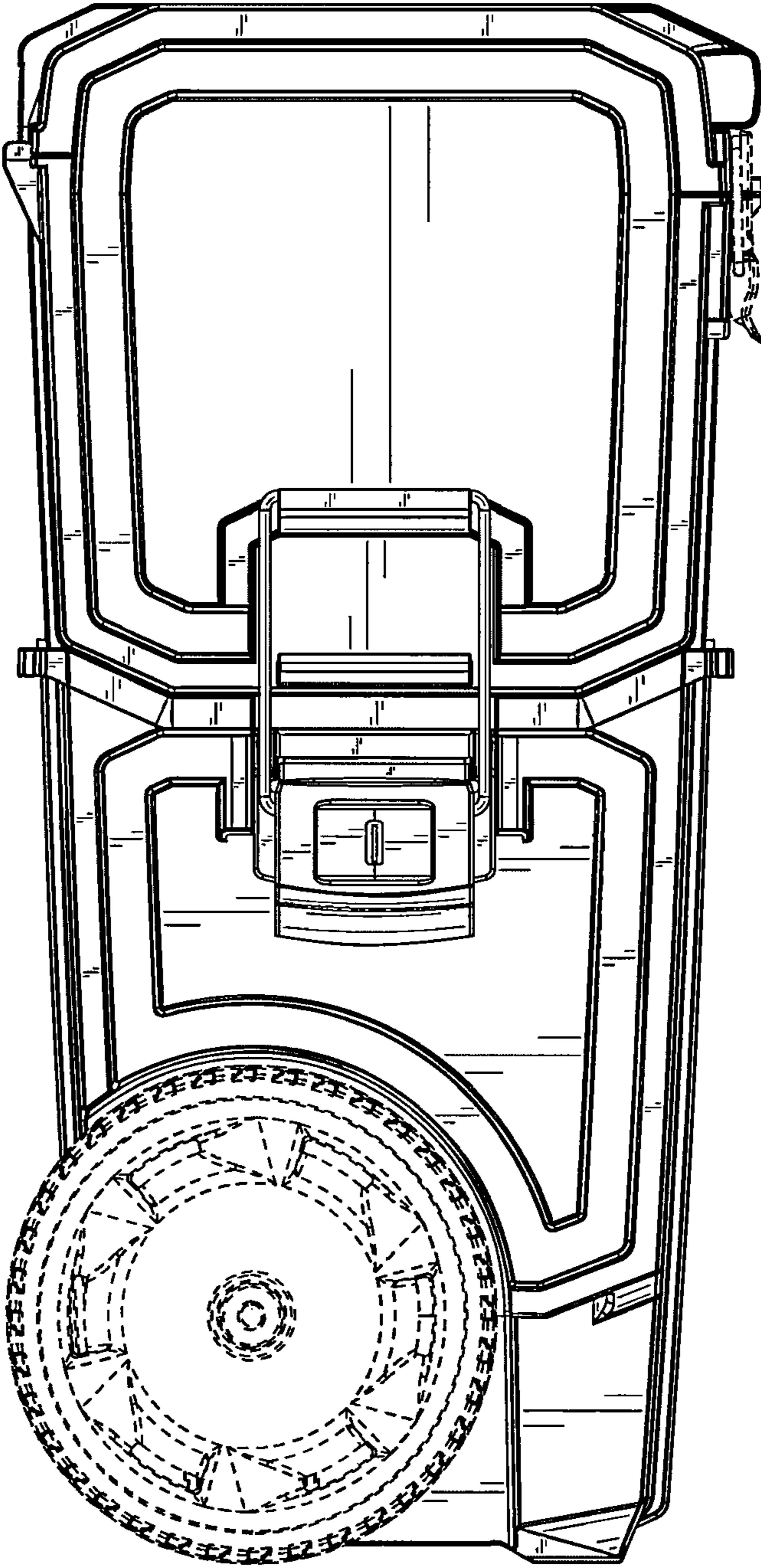


FIG. 4

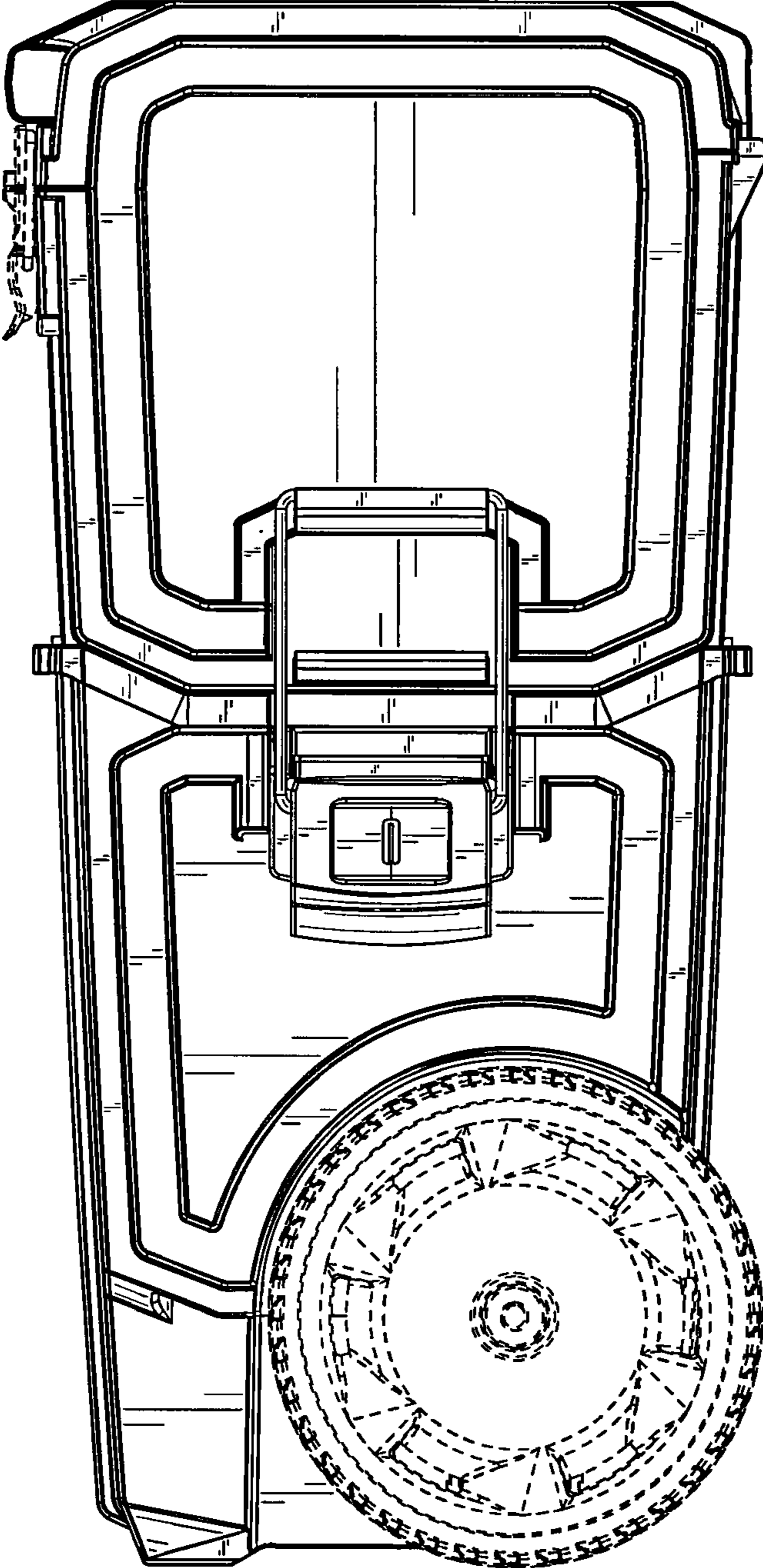


FIG. 5

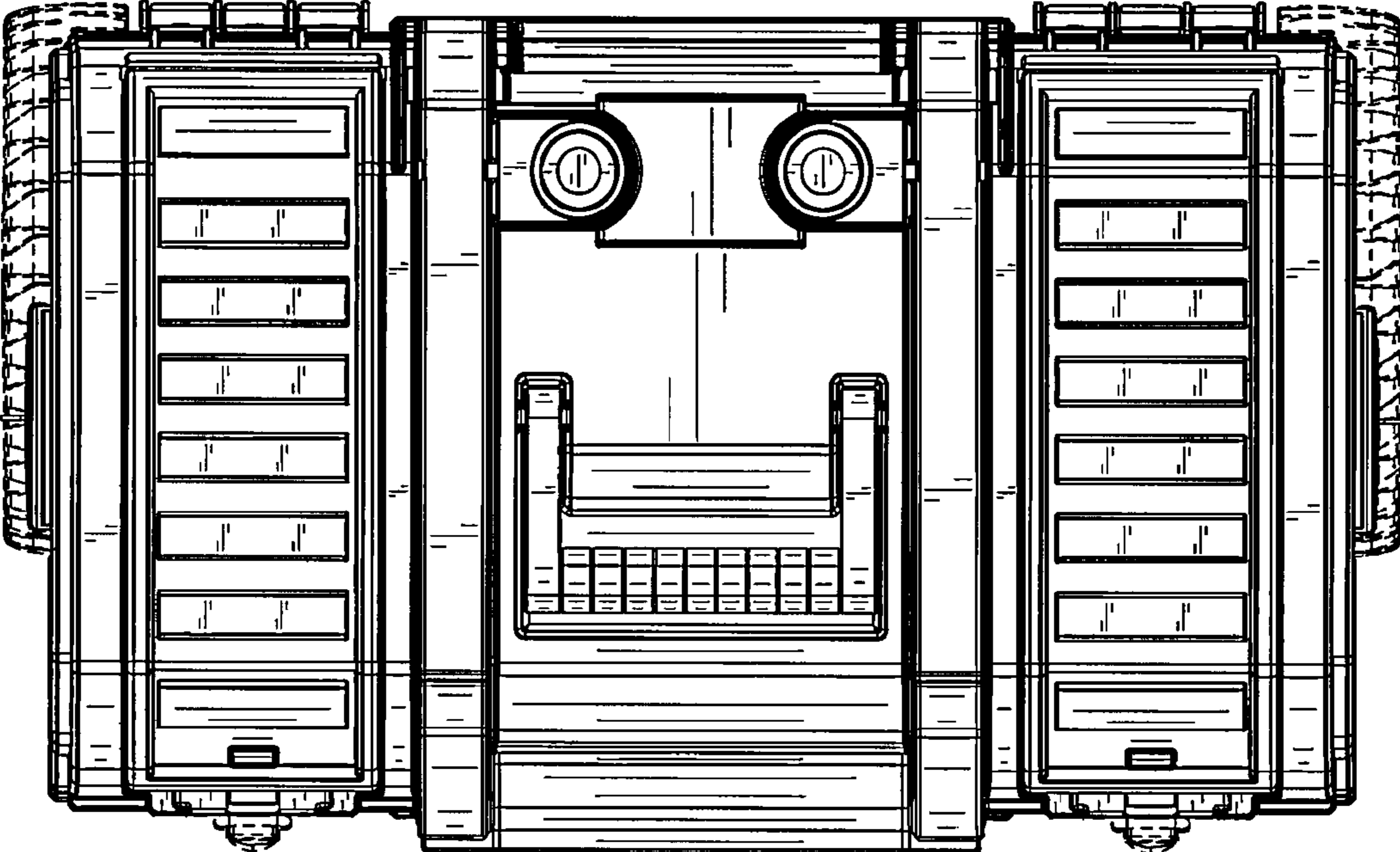


FIG. 6

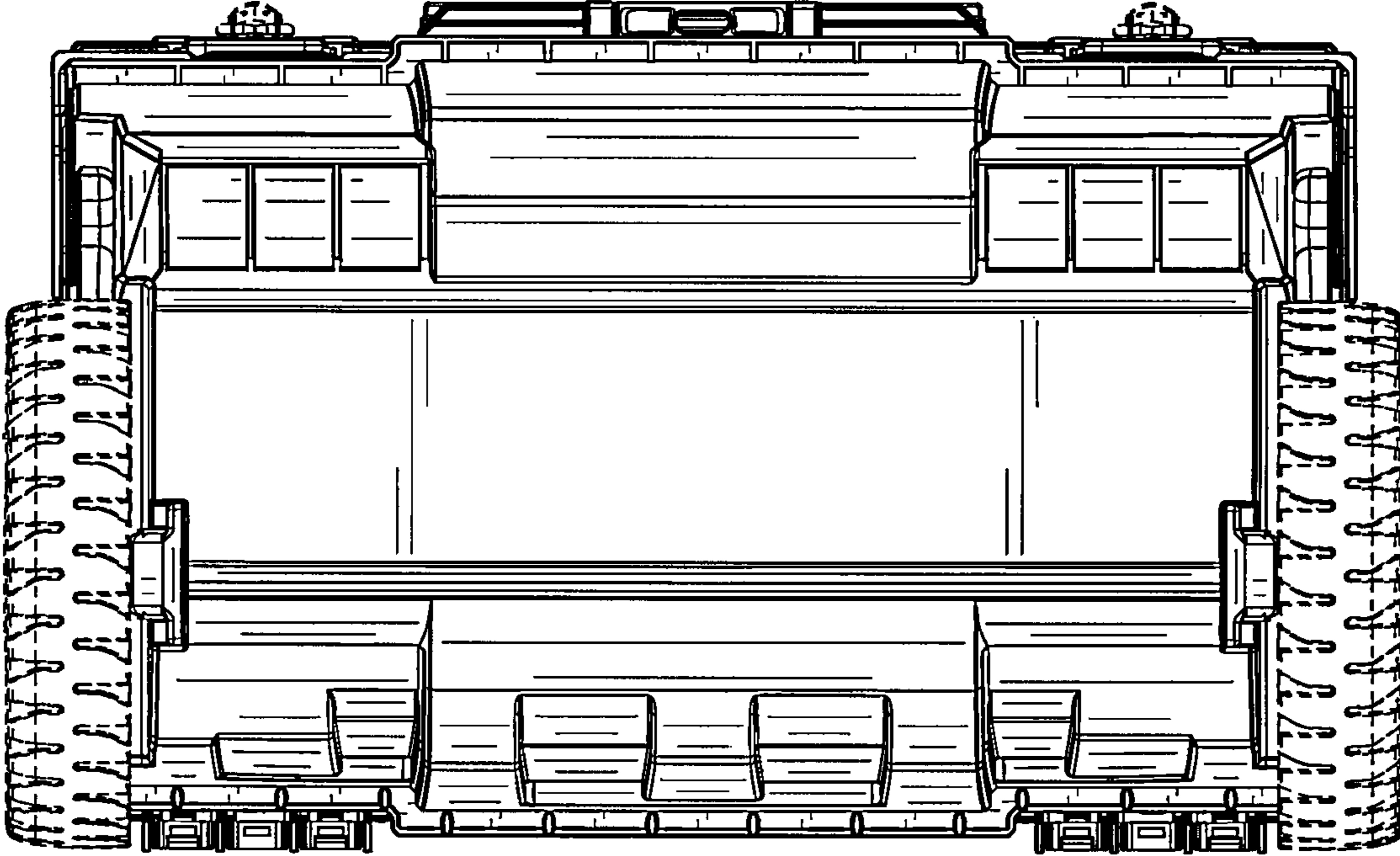


FIG. 7