

US00D692654S

(12) **United States Design Patent**
Irwin et al.

(10) **Patent No.:** **US D692,654 S**
(45) **Date of Patent:** **** Nov. 5, 2013**

(54) **BACKPACK**

(71) Applicant: **Impact Products, LLC**, Toledo, OH (US)

(72) Inventors: **John T. Irwin**, Sylvania, OH (US);
Jeffrey C. Gayer, Sylvania, OH (US);
Stephen A. Dukes, North Baltimore, OH (US)

(73) Assignee: **Impact Products, LLC**, Toledo, OH (US)

(**) Term: **14 Years**

(21) Appl. No.: **29/452,976**

(22) Filed: **Apr. 24, 2013**

Related U.S. Application Data

(63) Continuation of application No. 13/827,232, filed on Mar. 14, 2013.

(51) **LOC (9) Cl.** **03-01**

(52) **U.S. Cl.**
USPC **D3/217; D32/35**

(58) **Field of Classification Search**
USPC D3/214, 215, 216, 217; D32/21, 35, 40, D32/41, 42, 50, 51; 224/148.1–148.8, 153, 224/156, 261, 575–578; 401/39, 48, 139, 401/188 R, 198, 203, 207, 289; 239/152, 239/153; 15/320, 321, 327.5; 169/50; 222/92, 93, 95, 103, 106, 175
See application file for complete search history.

(56) **References Cited**

U.S. PATENT DOCUMENTS

2,044,687 A * 6/1936 Hatten 169/50
2,053,282 A 9/1936 Gewalt
3,331,090 A * 7/1967 Reiber et al. 15/321

4,152,084 A * 5/1979 Melton et al. 401/188 R
4,191,311 A 3/1980 Auguadro
4,427,140 A * 1/1984 Dennis, Jr. 224/148.2
4,971,471 A * 11/1990 Sloan 401/203
D365,926 S * 1/1996 D'Angelo D3/217
5,865,551 A 2/1999 Lalli et al.
6,189,750 B1 * 2/2001 Von Neumann 224/153

(Continued)

Primary Examiner — Caron D Veynar
Assistant Examiner — Martie K Holtje

(74) *Attorney, Agent, or Firm* — Fraser Clemens Martin & Miller LLC; J. Douglas Miller

(57) **CLAIM**

The ornamental design for a backpack, as shown and described.

DESCRIPTION

FIG. 1 is a perspective view of a backpack;
FIG. 2 is a front elevational view of the backpack of FIG. 1;
FIG. 3 is a rear elevational view of the backpack of FIG. 1;
FIG. 4 is a top plan view of the backpack of FIG. 1;
FIG. 5 is a bottom plan view of the backpack of FIG. 1;
FIG. 6 is a left side elevational view of the backpack of FIG. 1; and,
FIG. 7 is a right side elevational view of the backpack of FIG. 1.

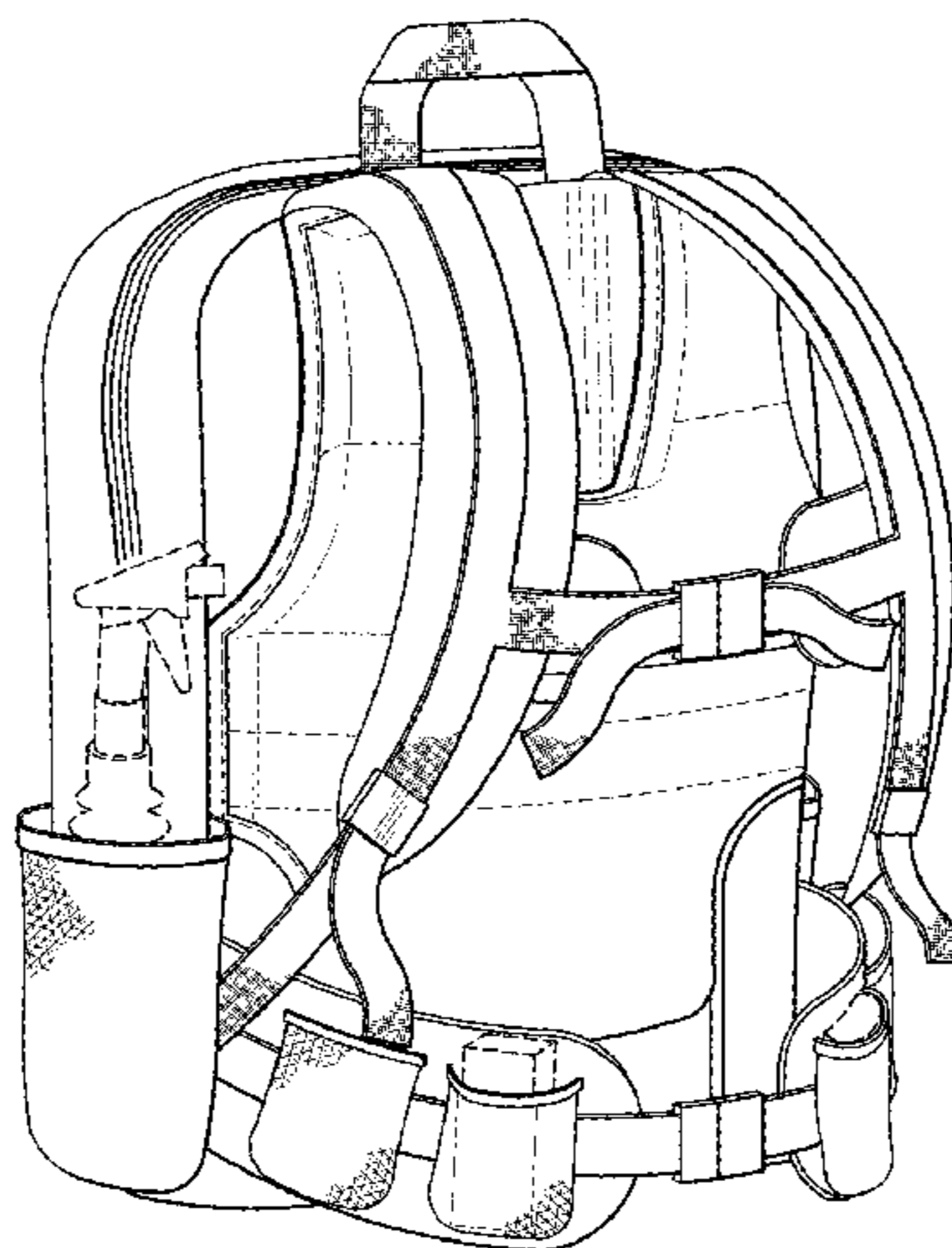
The cleaning items in the pouches depicted by broken lines have been shown to illustrate environmental features that form no part of the claimed design.

The dashed lines on the body of the backpack represent stitching.

The line-work on the pouches is understood to be continuous throughout the surface of the pouches.

The line-work on the straps is understood to be continuous throughout the surface of the straps.

1 Claim, 4 Drawing Sheets



(56)

References Cited

U.S. PATENT DOCUMENTS

6,550,998	B1 *	4/2003	Fernschild et al.	401/48	D622,500	S *	8/2010	Pho	D3/216
6,551,001	B2	4/2003	Aberegg et al.			7,794,165	B2 *	9/2010	Balz et al.	401/139
6,592,012	B2 *	7/2003	Godshaw et al.	224/153	8,020,730	B2 *	9/2011	Liang et al.	222/175
6,951,430	B2 *	10/2005	Fernschild et al.	401/48	D673,363	S *	1/2013	Crandall	D3/217
7,163,349	B2	1/2007	Policicchio et al.			D674,183	S *	1/2013	Iacchetti	D3/216
7,175,104	B2 *	2/2007	Allen, IV	239/71	2002/0175222	A1 *	11/2002	Vaage	239/153
7,194,782	B1 *	3/2007	Lewis	15/321	2003/0209263	A1	11/2003	Bell et al.		
7,437,796	B2 *	10/2008	Rappin	15/327.5	2004/0231700	A1	11/2004	Bell et al.		
7,441,301	B2	10/2008	Kresse et al.			2004/0238570	A1 *	12/2004	Skillern	222/175
7,621,686	B2 *	11/2009	Fernschild et al.	401/48	2007/0177925	A1	8/2007	Perelli		
7,740,412	B2	6/2010	Hoadley et al.			2008/0047978	A1 *	2/2008	McMahon et al.	222/175
						2008/0135588	A1 *	6/2008	Haines	224/148.1
						2008/0277433	A1 *	11/2008	Karl et al.	224/148.6

* cited by examiner

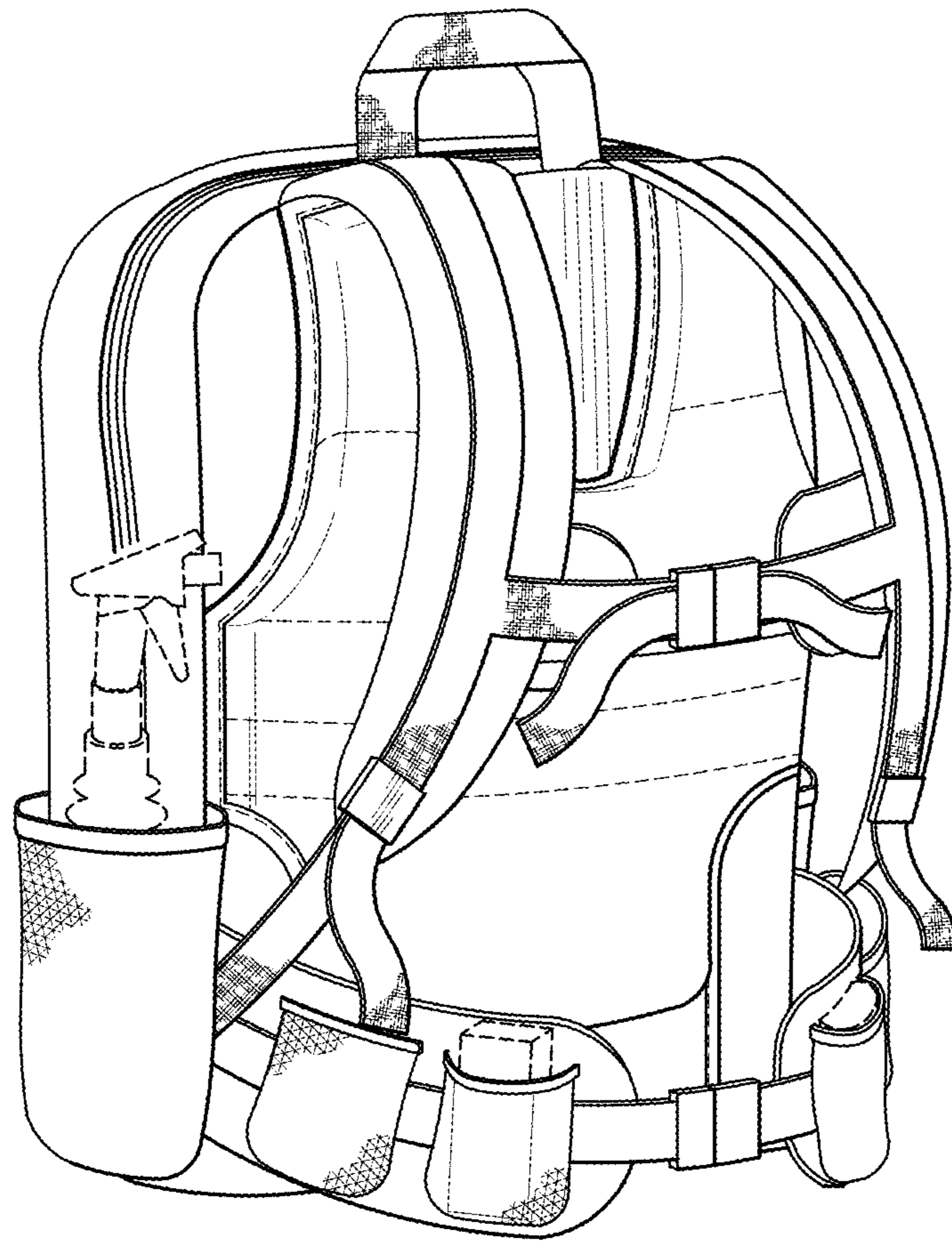


FIG. 1

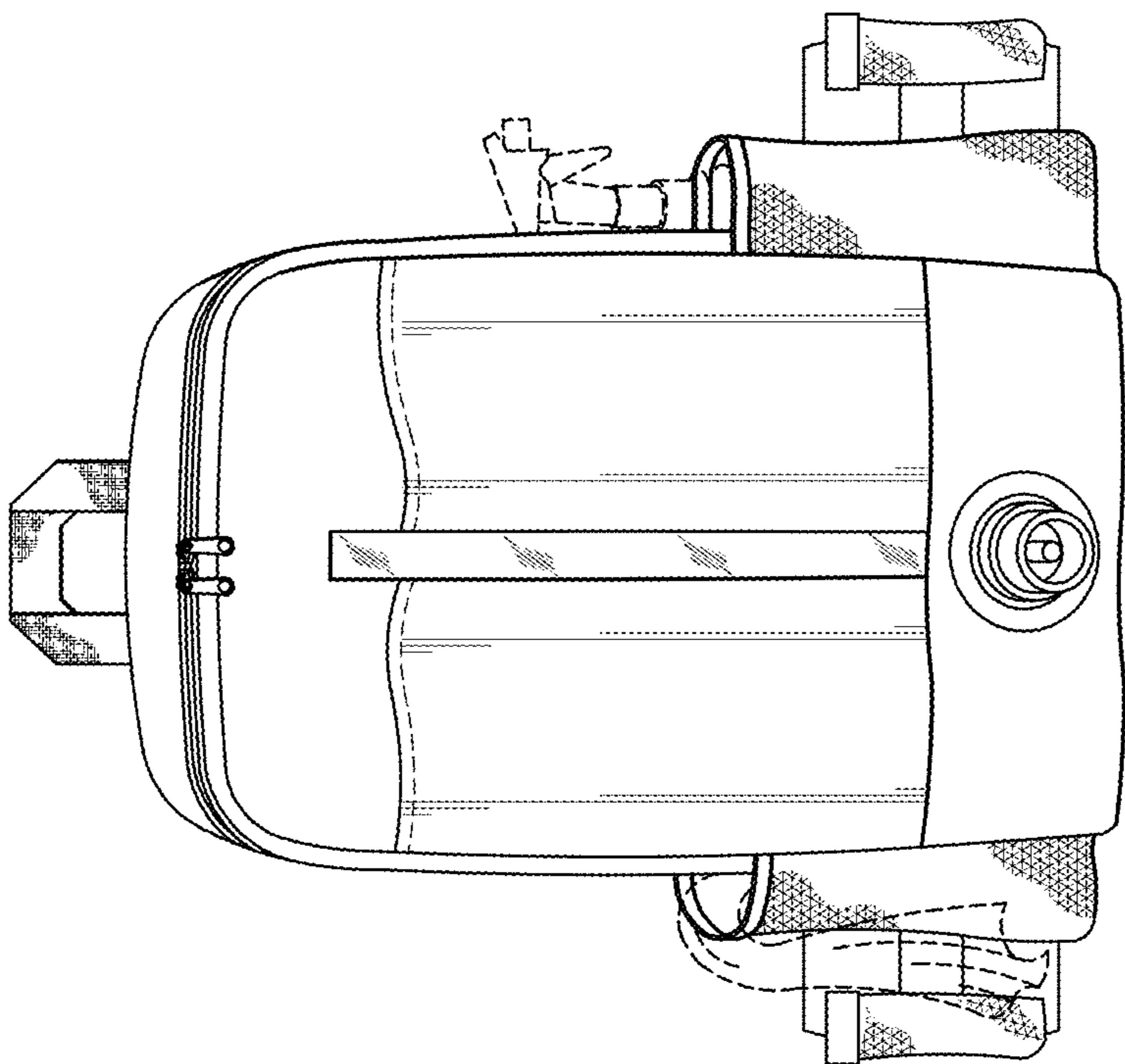


FIG. 3

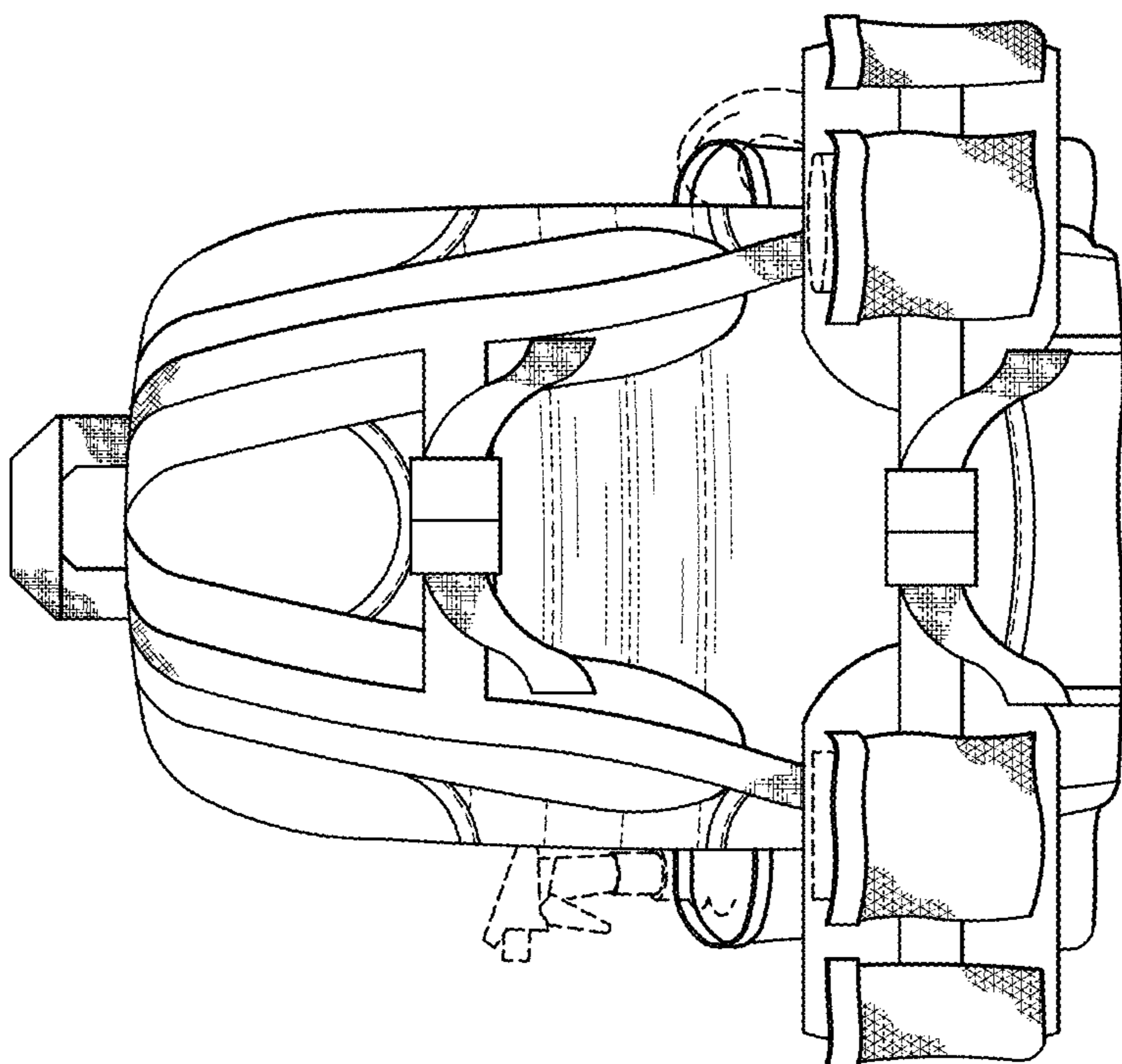


FIG. 2

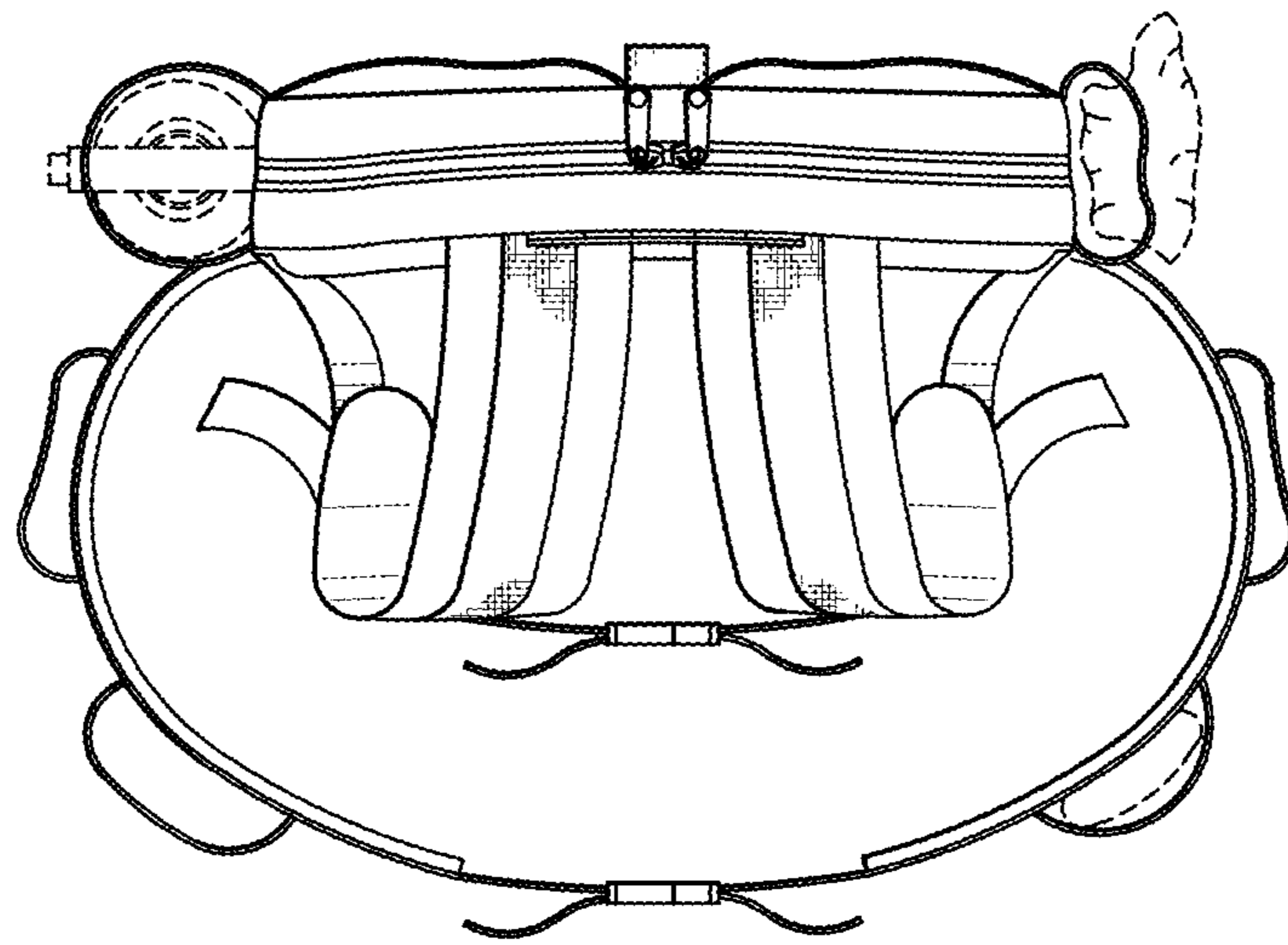


FIG. 4

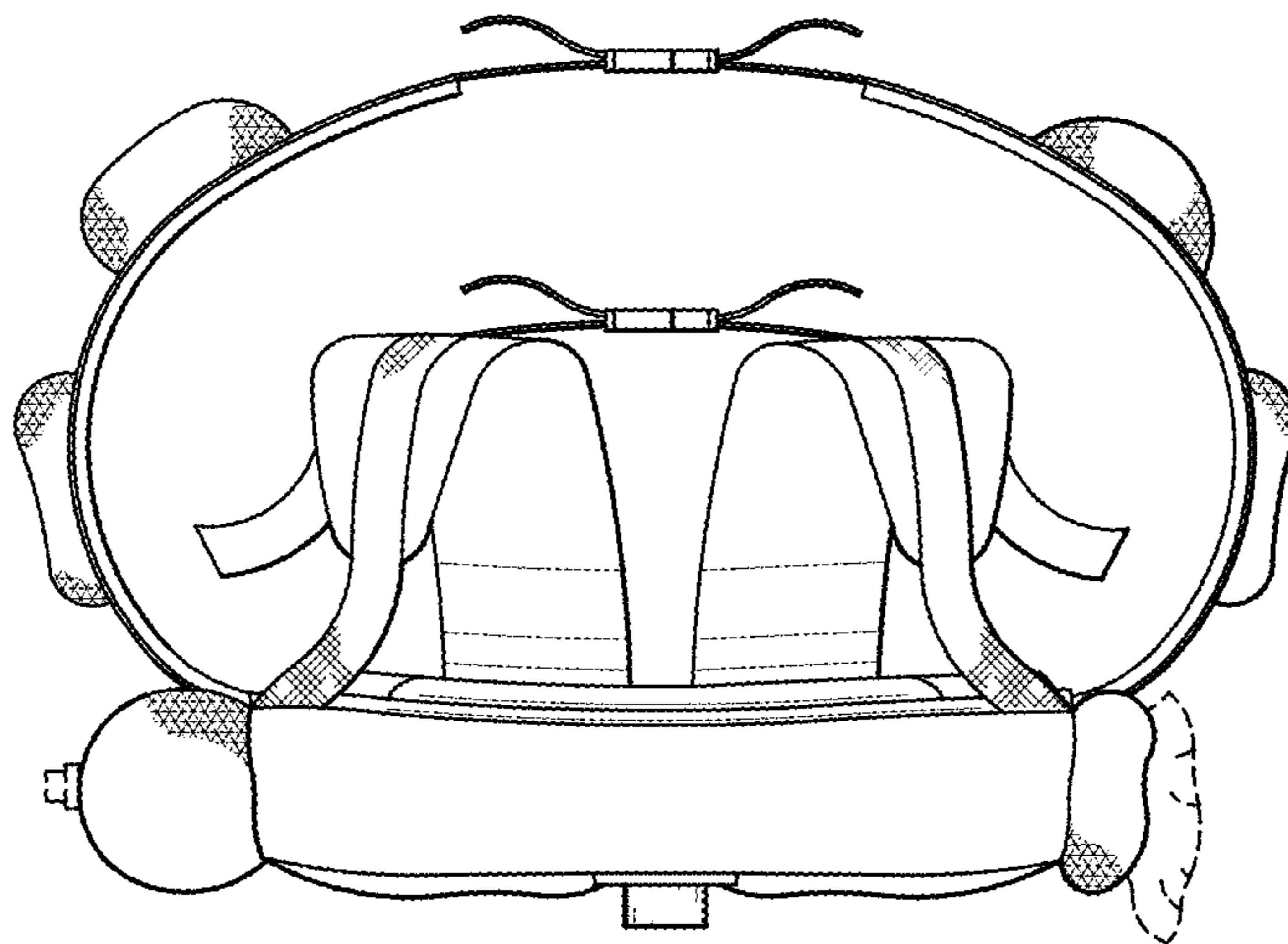


FIG. 5

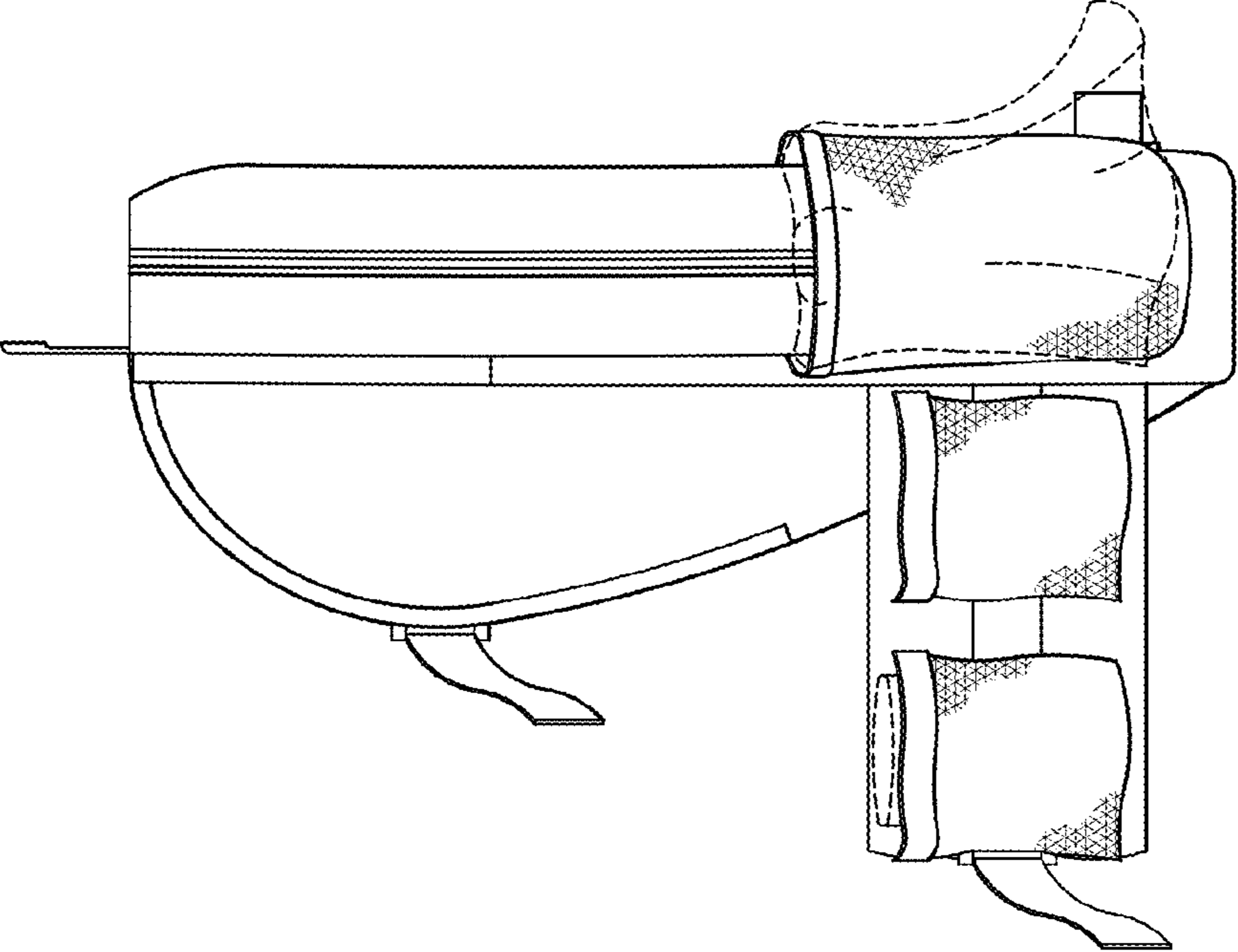


FIG. 7

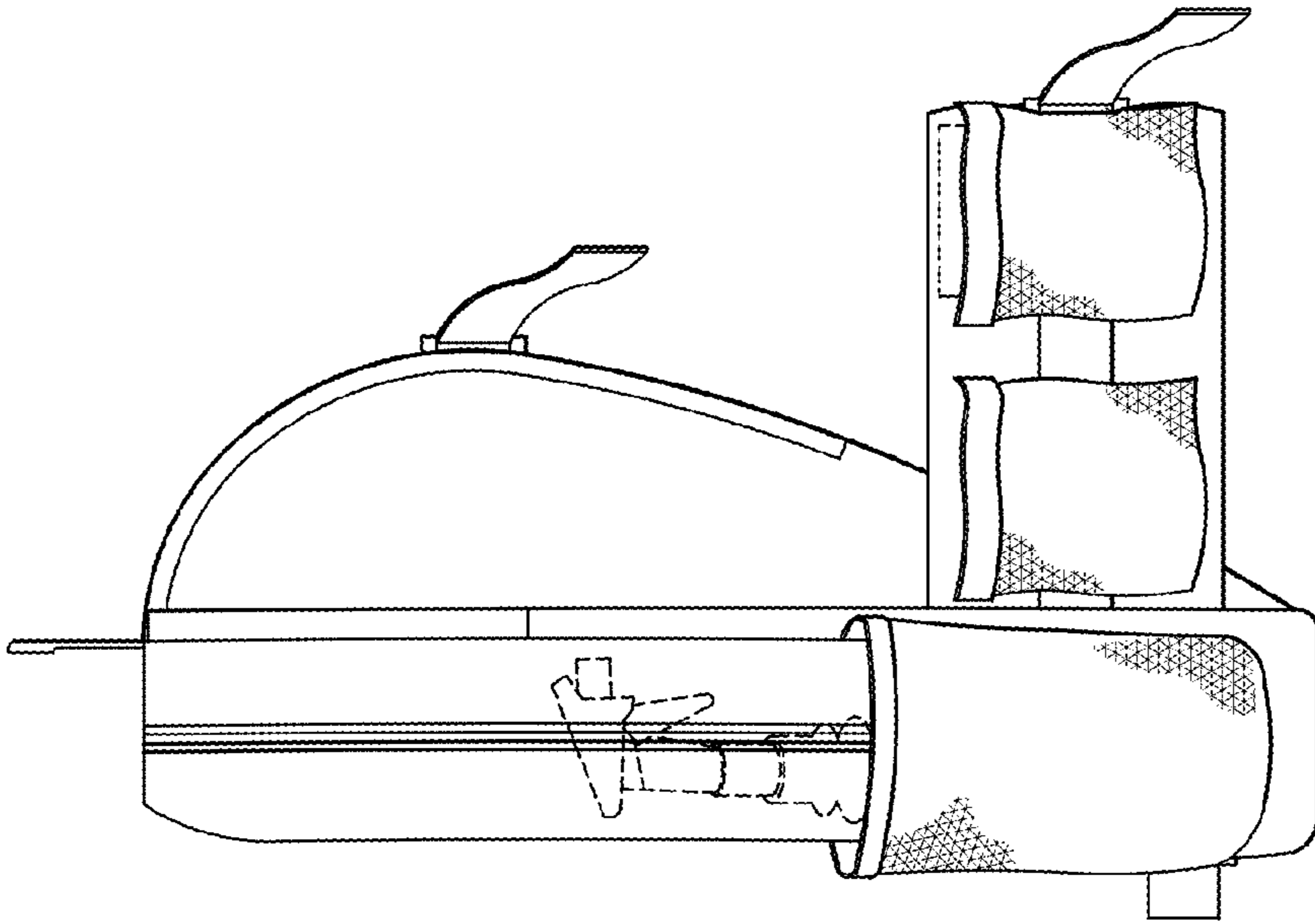


FIG. 6