

US00D692653S

(12) **United States Design Patent**
Platt et al.

(10) **Patent No.:** **US D692,653 S**
(45) **Date of Patent:** **** Nov. 5, 2013**

(54) **INTERCHANGEABLE HANDBAG AND
BACKPACK ASSEMBLY**

GB 2350285 A1 11/2000
(Continued)

(75) Inventors: **Jennie Platt**, Sandy, UT (US); **Ashley
Ulibarri**, West Valley City, UT (US)

(73) Assignee: **Miche Bag, LLC**, South Jordan, UT
(US)

OTHER PUBLICATIONS
“The Smart Handbag”, The Bernina Connection, LLC Online Cata-
log with secure transactions, [http://berninaconnection.com/cgi-bin/
Store/store.cgi?product=patterns_main&productid=0](http://berninaconnection.com/cgi-bin/Store/store.cgi?product=patterns_main&productid=0) (accessed
Mar. 21, 2007).

(**) Term: **14 Years**

(Continued)

(21) Appl. No.: **29/392,846**

(22) Filed: **May 26, 2011**

Primary Examiner — T. Chase Nelson
(74) *Attorney, Agent, or Firm* — Workman Nydegger

Related U.S. Application Data

(63) Continuation-in-part of application No. 12/529,012,
filed as application No. PCT/US2009/054896 on Aug.
25, 2009, application No. 29/392,846, which is a
continuation-in-part of application No. 12/776,256,
filed on May 7, 2010, which is a continuation of
application No. 12/529,012, filed as application No.
PCT/US2009/054896 on May 25, 2009, application
No. 29/392,846, which is a continuation-in-part of
application No. 29/355,821, filed on Feb. 15, 2010,
now Pat. No. Des. 659,389, which is a continuation of
application No. 12/529,012, filed as application No.
PCT/US2009/054896 on Aug. 25, 2009.

(57) **CLAIM**
The ornamental design for an interchangeable handbag and
backpack assembly, as shown and described.

DESCRIPTION

(51) **LOC (9) Cl.** **03-01**
(52) **U.S. Cl.**
USPC **D3/217**
(58) **Field of Classification Search**
USPC D3/214, 215, 216, 217, 270; D2/830;
224/153, 576, 577, 578
See application file for complete search history.

FIG. 1 is a perspective view of an interchangeable handbag
and backpack assembly shown in an exemplary environmen-
tal when used as a backpack;
FIG. 2 is an exploded, side perspective view thereof, albeit
with an exemplary base handbag removed from inside the
claimed cover;
FIG. 3 is a top plan view thereof;
FIG. 4 is an elevated facing view thereof;
FIG. 5 is a bottom plan view thereof;
FIG. 6 is an elevated rear view thereof;
FIG. 7 is an elevated left view thereof;
FIG. 8 is an elevated right view thereof;
FIG. 9 is a top, side perspective view thereof;
FIG. 10 is another top, side perspective view thereof, albeit in
an alternate position showing the interchangeable cover in a
partially opened position; and,
FIG. 11 is a side perspective view thereof, albeit in an envi-
ronment in which the handles are alternatively attached for
use as a handbag.
The broken lines and alternating long and short broken lines
depict environmental structure, stitching, and portions of the
design that form no part of the claimed design. The various
broken lines and what they depict form no part of the claimed
design.

(56) **References Cited**
U.S. PATENT DOCUMENTS

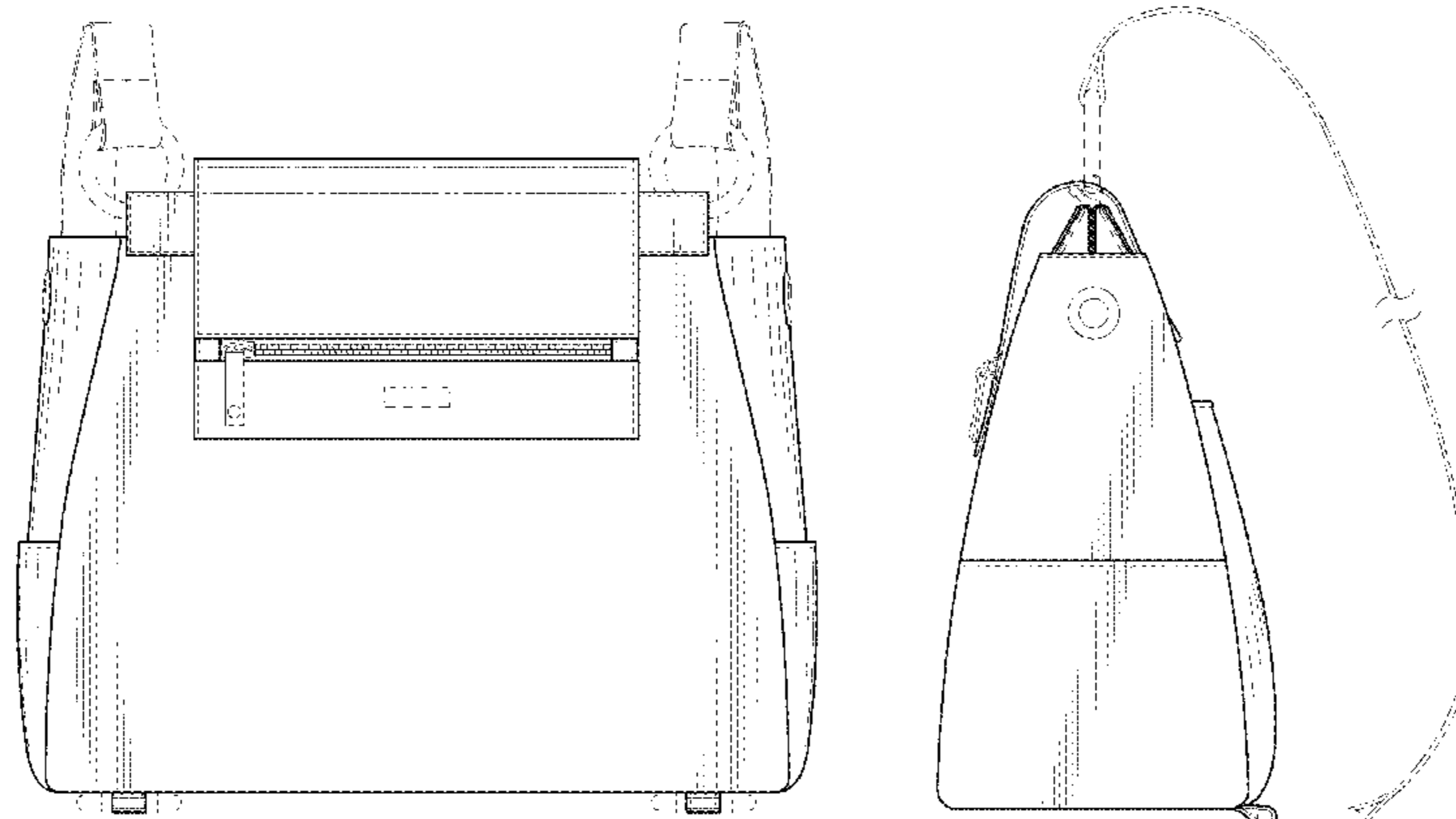
840,086 A 1/1907 Oswald
1,042,934 A 9/1912 Levy

(Continued)

FOREIGN PATENT DOCUMENTS

FR 1117240 5/1956

1 Claim, 9 Drawing Sheets



(56)

References Cited

U.S. PATENT DOCUMENTS

1,209,771 A *	12/1916	Skanche	224/156	D437,997 S *	2/2001	Ammerman et al.	D3/216
1,960,396 A	5/1934	Rosenberg		6,186,201 B1	2/2001	Salz	
1,972,577 A	9/1934	Walinsky		6,237,660 B1	5/2001	Giardino	
1,978,971 A	10/1934	Thornhill		D443,139 S	6/2001	Salz	
2,023,144 A	5/1935	Miller		D443,764 S	6/2001	Salz	
2,104,439 A	1/1938	Schein		D444,943 S	7/2001	Nastasi	
2,118,400 A	5/1938	Goldberg		6,394,157 B2	5/2002	Luna	
2,131,382 A	9/1938	Lobat		D458,018 S *	6/2002	Mentken	D3/217
D129,151 S	8/1941	Lewis		6,422,278 B1	7/2002	Grogan	
D131,188 S	1/1942	Lewis		6,446,688 B1	9/2002	Sutton	
2,369,482 A	2/1945	Morris		D467,072 S *	12/2002	Grassi Damiani	D3/243
2,437,382 A	9/1948	Czap		6,543,499 B2	4/2003	McCreery	
2,464,313 A	3/1949	Holden		6,564,838 B1	5/2003	Cruickshank	
2,477,388 A	7/1949	Moore		D476,809 S	7/2003	Ko	
D155,608 S	10/1949	Hilf		D487,189 S *	3/2004	Ukitsu et al.	D3/217
2,656,870 A	10/1953	Wishnia		D495,877 S	9/2004	Thorsen	
2,779,373 A	1/1957	Koepke		6,796,344 B2	9/2004	Chen	
2,809,685 A	10/1957	Lowy		6,807,992 B2	10/2004	Powers	
2,893,457 A	7/1959	Wilson		D497,716 S	11/2004	de Baschmakoff	
3,182,701 A	5/1965	Ginsburg		6,820,664 B1	11/2004	Ritch	
3,234,985 A	2/1966	Gilbert		D501,719 S *	2/2005	Tauchen	D3/256
3,346,155 A *	10/1967	Oechsle	294/141	6,968,880 B2	11/2005	Battaglia	
3,451,545 A	6/1969	Davis		6,971,424 B1	12/2005	Angevine	
3,556,187 A	1/1971	Speakes		D517,800 S *	3/2006	de Baschmakoff	D3/217
3,575,226 A	4/1971	Chapman		7,028,730 B2	4/2006	Pace	
D224,072 S	6/1972	Rosenblum		7,222,649 B1	5/2007	Fox	
D232,273 S *	7/1974	Ross	D3/287	7,246,643 B2	7/2007	Andrews	
4,088,167 A	5/1978	Schwartz		D553,350 S *	10/2007	Dvorak	D3/217
4,112,991 A	9/1978	Barbaresi		D572,472 S *	7/2008	Saconay-Duhart	D3/246
4,153,092 A *	5/1979	Haslam	150/108	7,461,676 B2	12/2008	Huie	
D252,596 S	8/1979	Adler		7,624,777 B2	12/2009	Paller	
D253,135 S *	10/1979	Fontana	D3/214	D610,801 S	3/2010	Romero	
4,260,004 A	4/1981	Domke		D611,705 S	3/2010	Romero	
4,263,951 A	4/1981	Siegel		D613,062 S	4/2010	Romero	
4,610,286 A	9/1986	Cyr		D615,295 S *	5/2010	Arnold	D3/216
4,754,790 A	7/1988	Meyers		7,789,114 B2	9/2010	Pace	
4,810,102 A *	3/1989	Norton	383/4	7,942,296 B1	5/2011	Johnson	
4,842,032 A	6/1989	Mastronardo		D640,871 S *	7/2011	Romero et al.	D3/318
4,907,633 A	3/1990	Eckstein		8,028,730 B2	10/2011	Whiting et al.	
5,096,030 A	3/1992	Espinosa		D658,366 S *	5/2012	Platt et al.	D3/233
5,178,198 A	1/1993	Fitzgerald		D659,389 S *	5/2012	Platt et al.	D3/233
D333,565 S *	3/1993	Imbert	D3/217	D661,089 S *	6/2012	Seegmiller et al.	D3/233
D334,661 S	4/1993	Kohn		2001/0015248 A1	8/2001	McCreery	
5,207,254 A	5/1993	Fromm		2002/0029831 A1	3/2002	Pendergrass	
D346,694 S	5/1994	Cyr		2002/0066505 A1	6/2002	Grogan	
5,337,933 A *	8/1994	Nunez	224/581	2003/0000612 A1	1/2003	Sutton	
5,356,004 A	10/1994	Weinrab		2003/0177664 A1	9/2003	Monassebian	
D354,399 S	1/1995	Georges		2004/0050468 A1	3/2004	Powers	
5,415,332 A *	5/1995	Kliot	224/153	2004/0187988 A1	9/2004	Andrews	
5,533,558 A	7/1996	Carey		2005/0028908 A1	2/2005	Schaus	
D382,106 S *	8/1997	Hillestad	D3/221	2005/0173034 A1	8/2005	Antrobus	
D383,305 S *	9/1997	Holstrom	D3/216	2005/0274441 A1	12/2005	Pace	
D390,352 S *	2/1998	Lane	D3/216	2006/0021684 A1	2/2006	DeCoro, III	
5,725,039 A	3/1998	Macinai		2006/0032875 A1 *	2/2006	Patterson	224/153
5,765,618 A	6/1998	Toledano		2006/0032881 A1 *	2/2006	Price et al.	224/576
5,829,502 A	11/1998	Distefano		2006/0157175 A1	7/2006	Pace	
5,839,138 A	11/1998	Weidman et al.		2006/0174984 A1	8/2006	Burns	
D403,853 S *	1/1999	Lothrop et al.	D3/216	2006/0208043 A1	9/2006	Plantan	
D403,863 S	1/1999	Briganti		2006/0237106 A1	10/2006	Pearson	
D408,146 S	4/1999	Briganti		2006/0266452 A1	11/2006	Huie	
5,894,975 A	4/1999	Holden		2006/0278311 A1	12/2006	Mittelstaedt	
5,911,262 A	6/1999	Steinhart		2007/0102077 A1	5/2007	Parker-Ogden	
5,983,464 A	11/1999	Bauer		2007/0163689 A1	7/2007	Pace	
5,983,969 A	11/1999	Morgan		2007/0209742 A1	9/2007	Morgan	
6,003,573 A	12/1999	Owens		2007/0221136 A1	9/2007	Buttner	
6,029,723 A	2/2000	Baquero		2007/0240798 A1	10/2007	Bihler	
6,092,702 A *	7/2000	Cassidy, IV	224/153	2008/0006355 A1	1/2008	Gomez	
6,116,412 A	9/2000	Rogers		2008/0035693 A1 *	2/2008	Lee	224/578
D431,356 S *	10/2000	Ammerman et al.	D3/216	2008/0185082 A1	8/2008	Mejia	
D432,310 S	10/2000	Salz		2008/0230158 A1	9/2008	Romero	
6,129,126 A	10/2000	Restivo		2008/0277434 A1 *	11/2008	Sacks	224/153
D435,962 S *	1/2001	Kohlhase	D3/217	2009/0065110 A1	3/2009	Cassella	
6,173,837 B1	1/2001	Marconi		2009/0114691 A1 *	5/2009	Bizzell et al.	224/577
6,179,025 B1	1/2001	Sutton		2009/0188592 A1	7/2009	Connacher	
D437,687 S	2/2001	Salz		2010/0122395 A1 *	5/2010	Wall et al.	2/84
				2010/0218863 A1	9/2010	Church	
				2010/0270348 A1 *	10/2010	Demskey	224/576
				2011/0000590 A1	1/2011	Welch	
				2011/0005646 A1	1/2011	Nelson	

(56)

References Cited

U.S. PATENT DOCUMENTS

2011/0011503 A1 1/2011 Parker
2011/0061778 A1 3/2011 Micone
2011/0253273 A1 10/2011 Kay
2011/0309121 A1* 12/2011 Dooley et al. 224/576

FOREIGN PATENT DOCUMENTS

GB 2377882 A1 1/2003
JP 2002051816 2/2002
KR 20-030050218 5/2004
WO 2001091596 12/2001
WO 2005008552 A1 1/2005
WO 2006002005 A2 1/2006
WO 2006122197 11/2006

OTHER PUBLICATIONS

“Rock Album Cover Tote Bag with interchangeable panel”, Eco-Artware, <http://www.eco-artware.com/catalog/MMM1-album-tote.shtml> (accessed Mar. 21, 2007).
International Search Report, PCT/US2007/085339, Mailed Mar. 14, 2008.
International Search Opinion, PCT/US2007/085339, Mailed Mar. 14, 2008.
European Search Report, 07845129.1-1258/2124666, Mailed Mar. 25, 2010.
European Search Report, 09014069.0-1258/2163169, Mailed May 3, 2010.
International Search Opinion, PCT/US2009/054896, Mailed Oct. 30, 2009.
Office Action Mailed Oct. 27, 2009, U.S. Appl. No. 29/320,888.
Office Action Mailed Mar. 9, 2010, U.S. Appl. No. 11/945,174.
Office Action Mailed Jun. 23, 2010, U.S. Appl. No. 11/945,174.

* cited by examiner

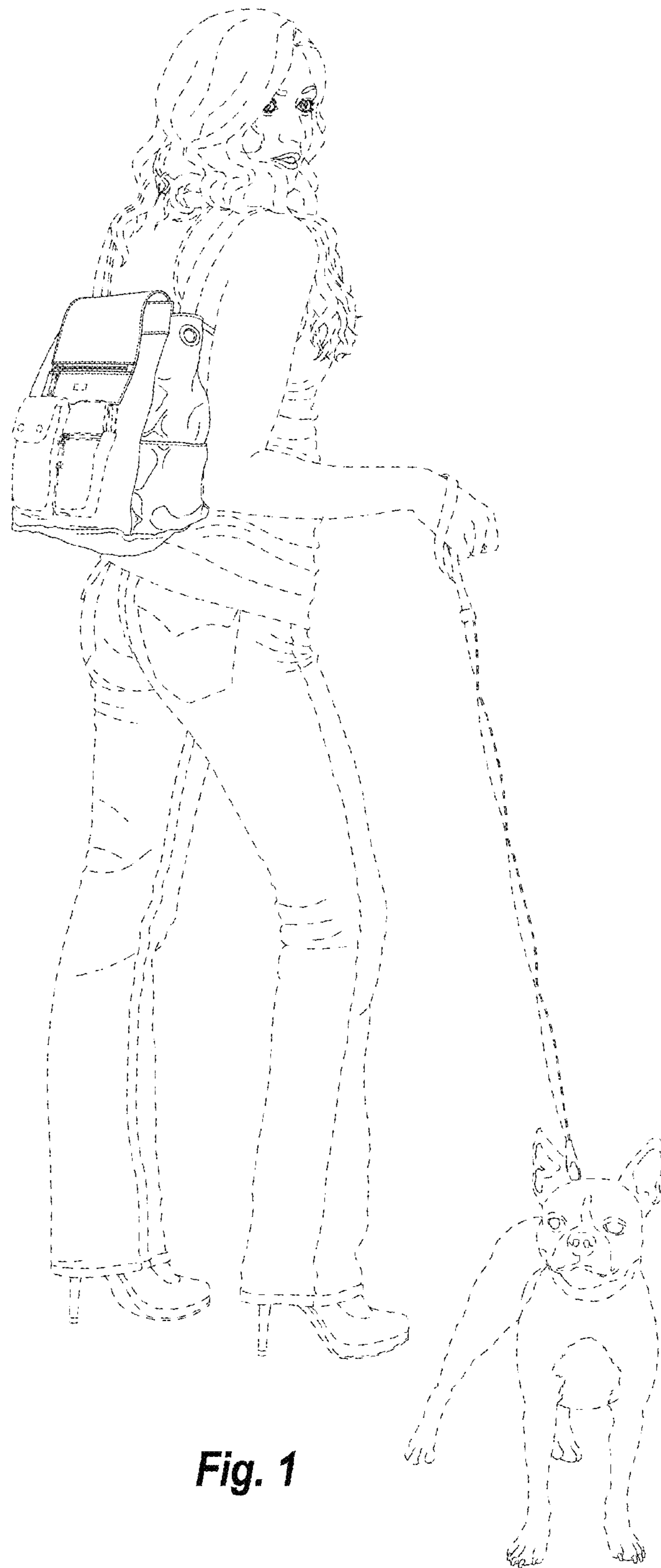


Fig. 1

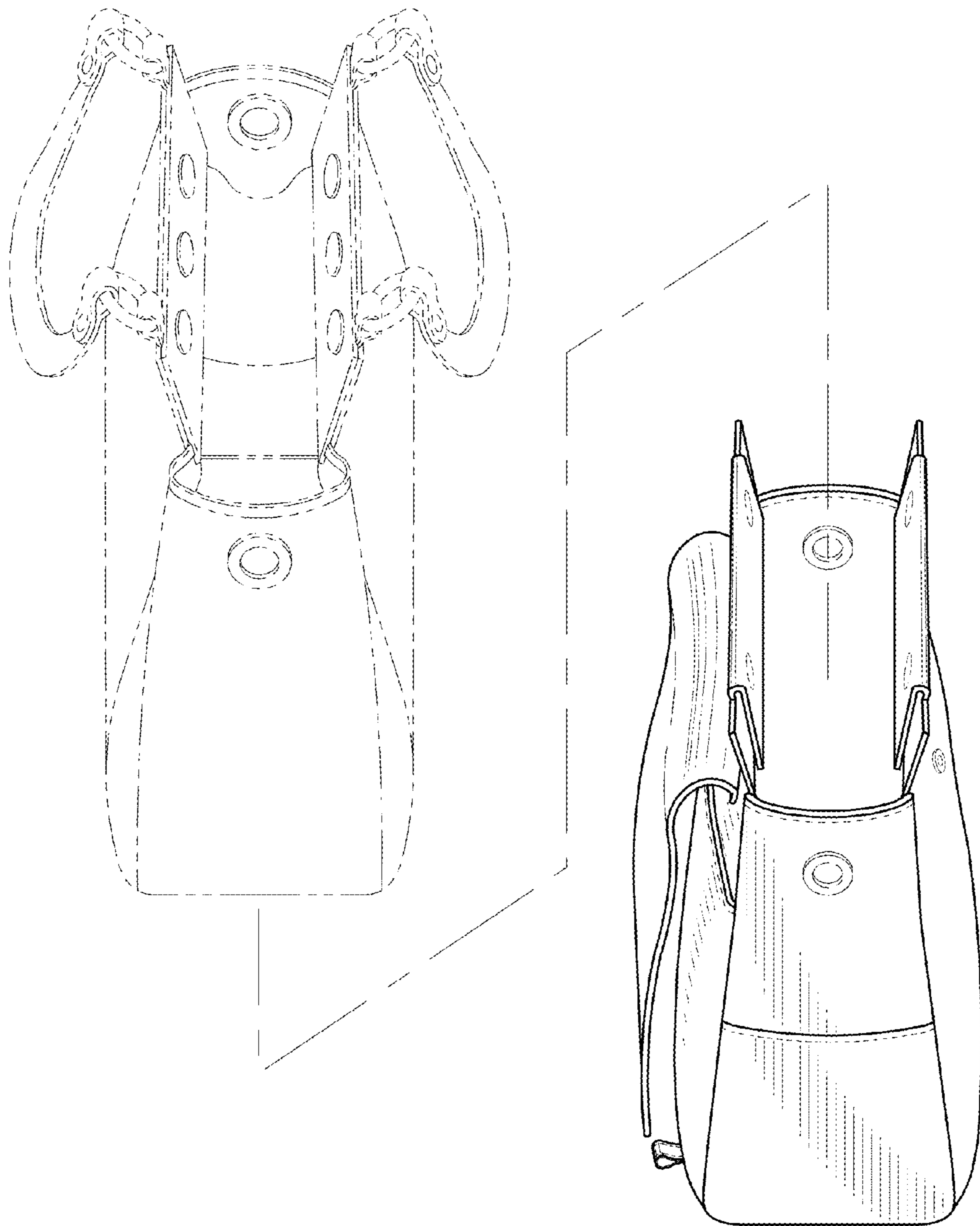


Fig. 2

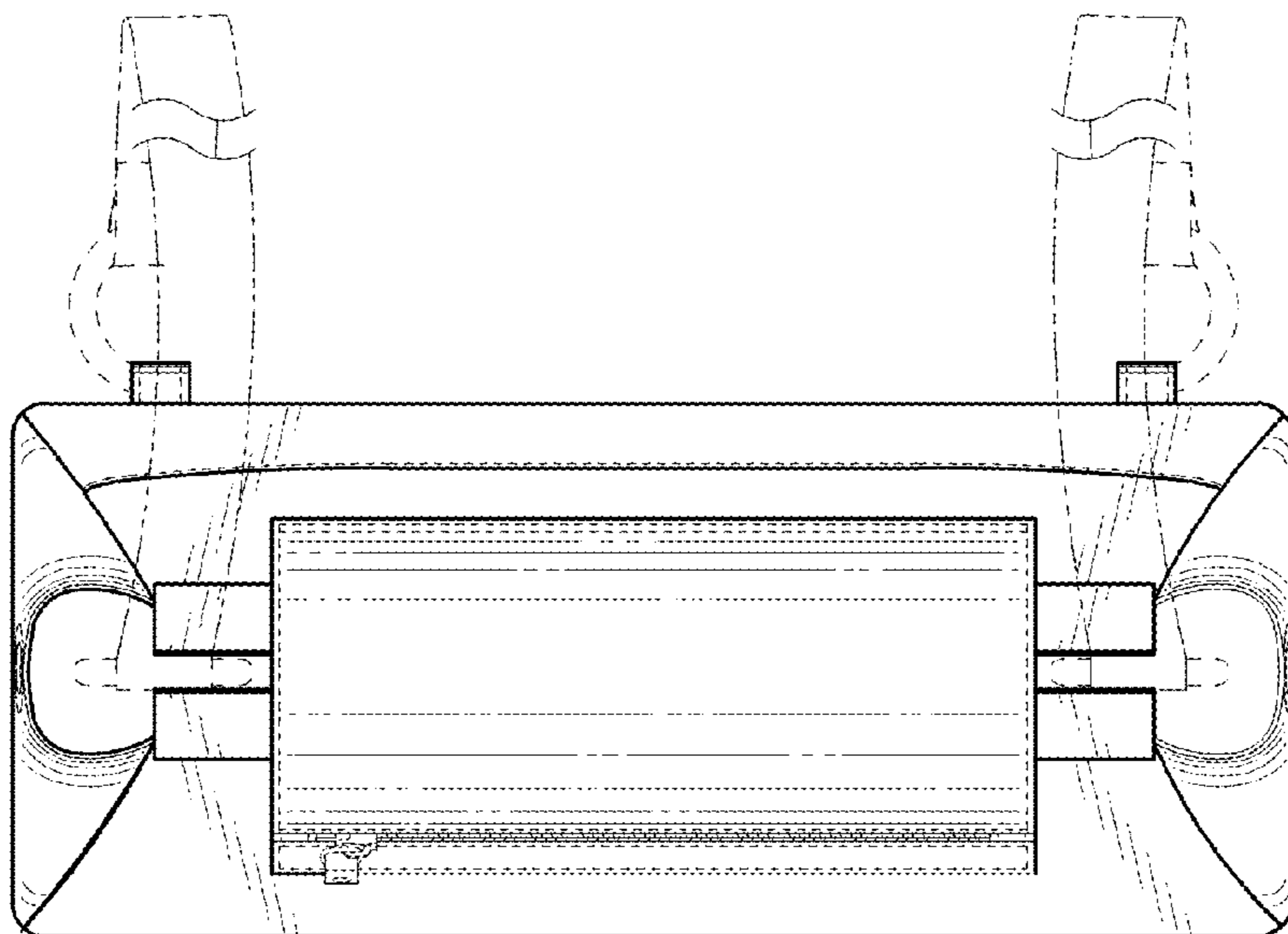


Fig. 3

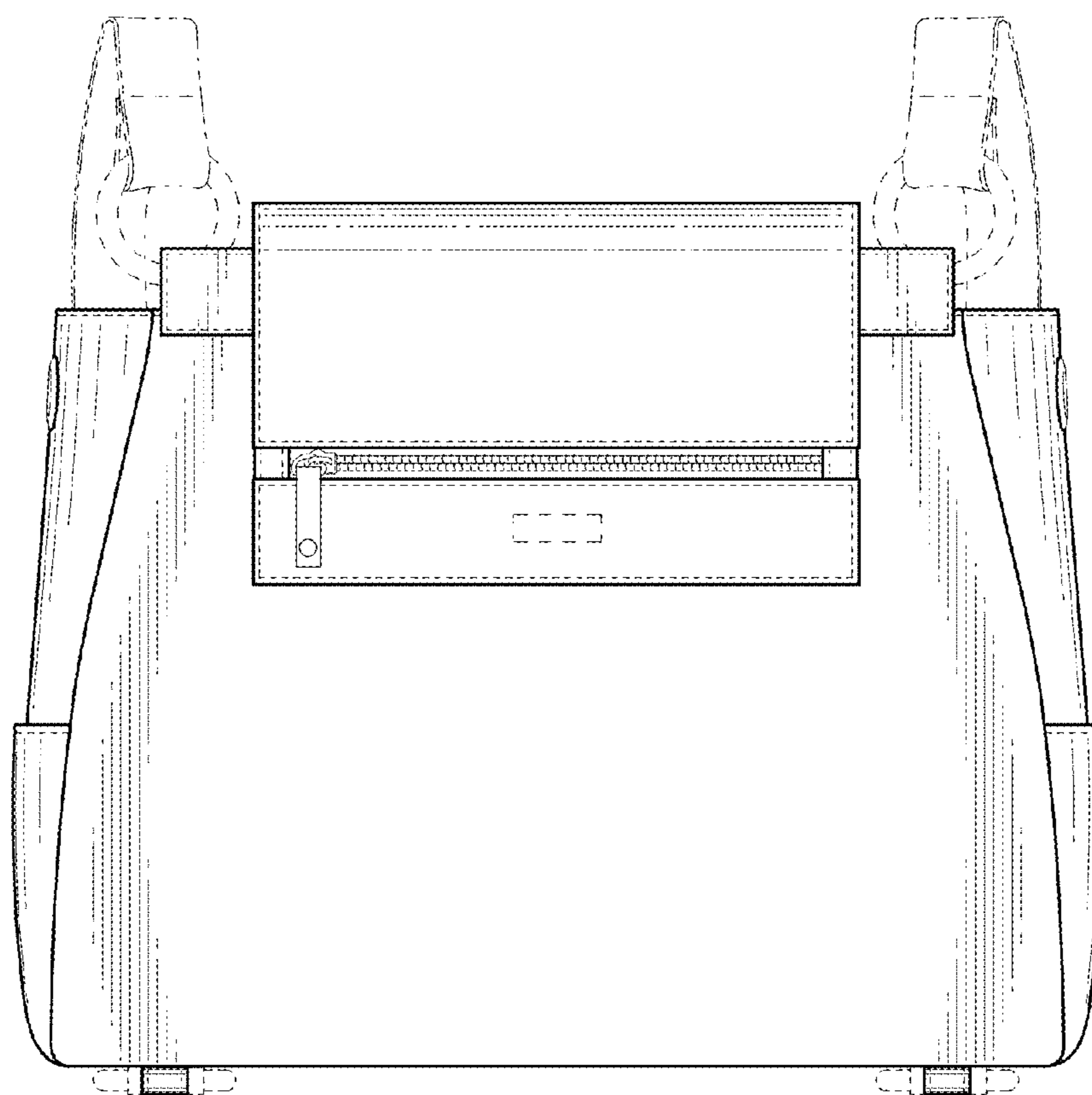


Fig. 4

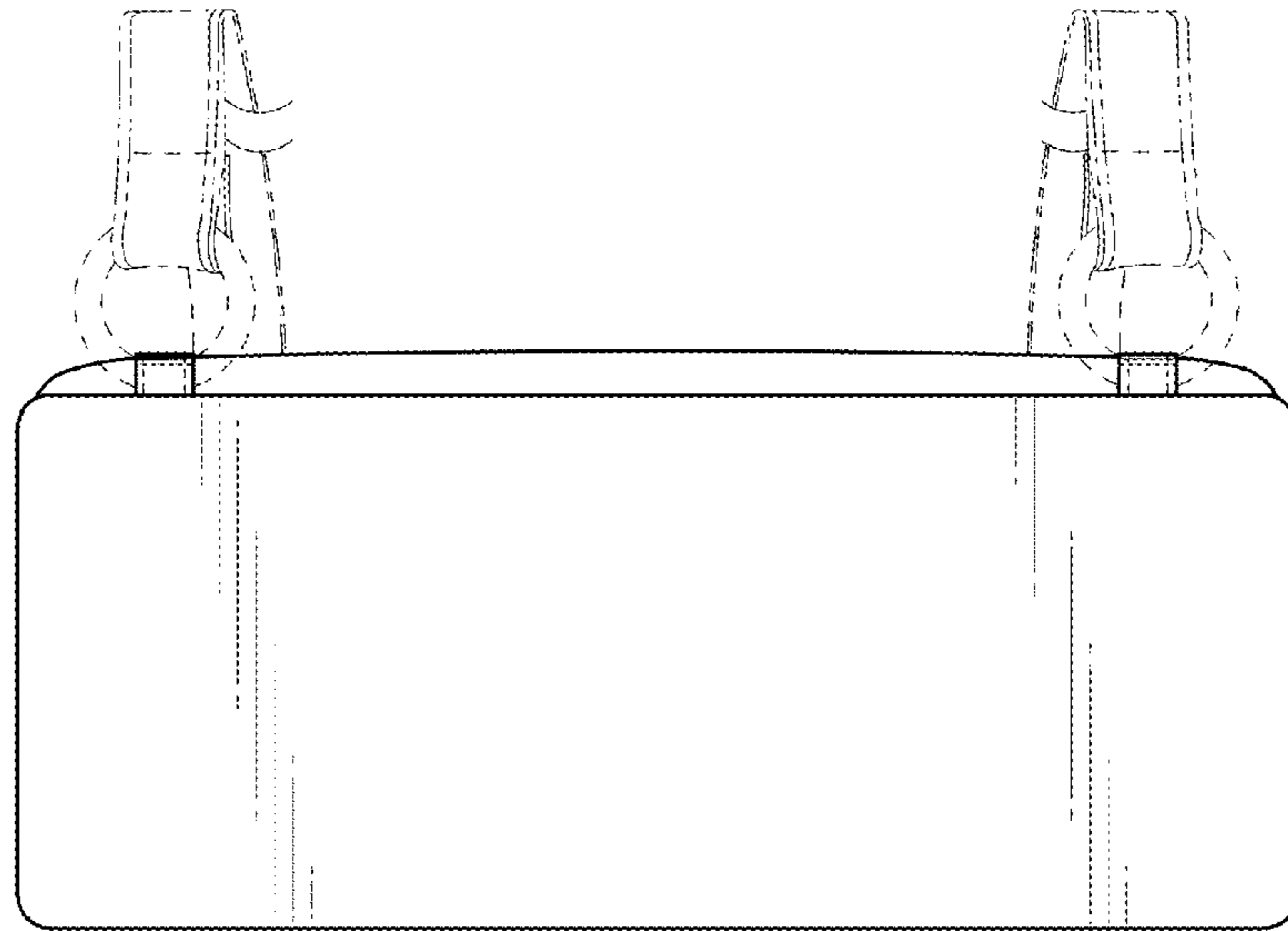


Fig. 5

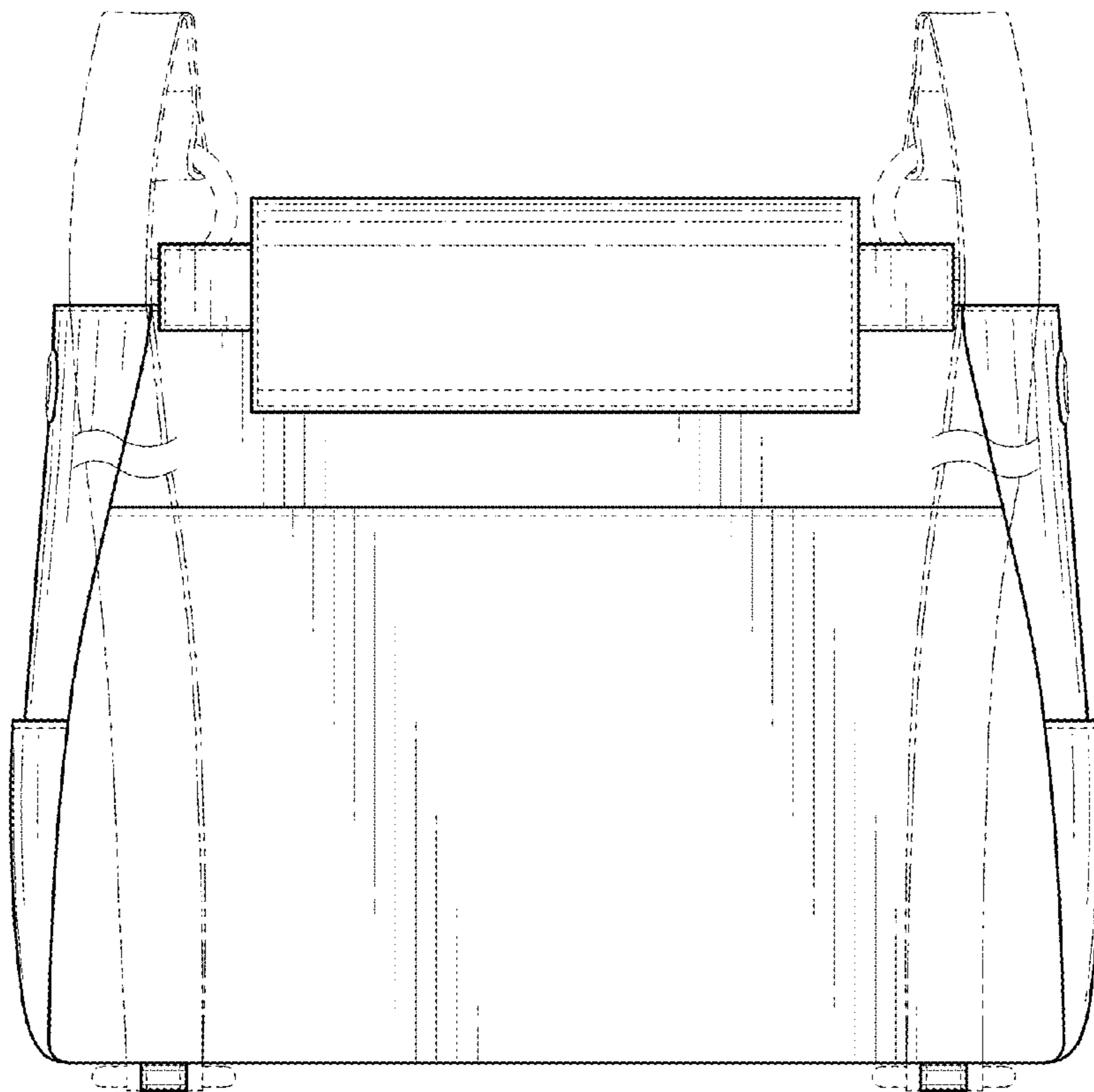


Fig. 6

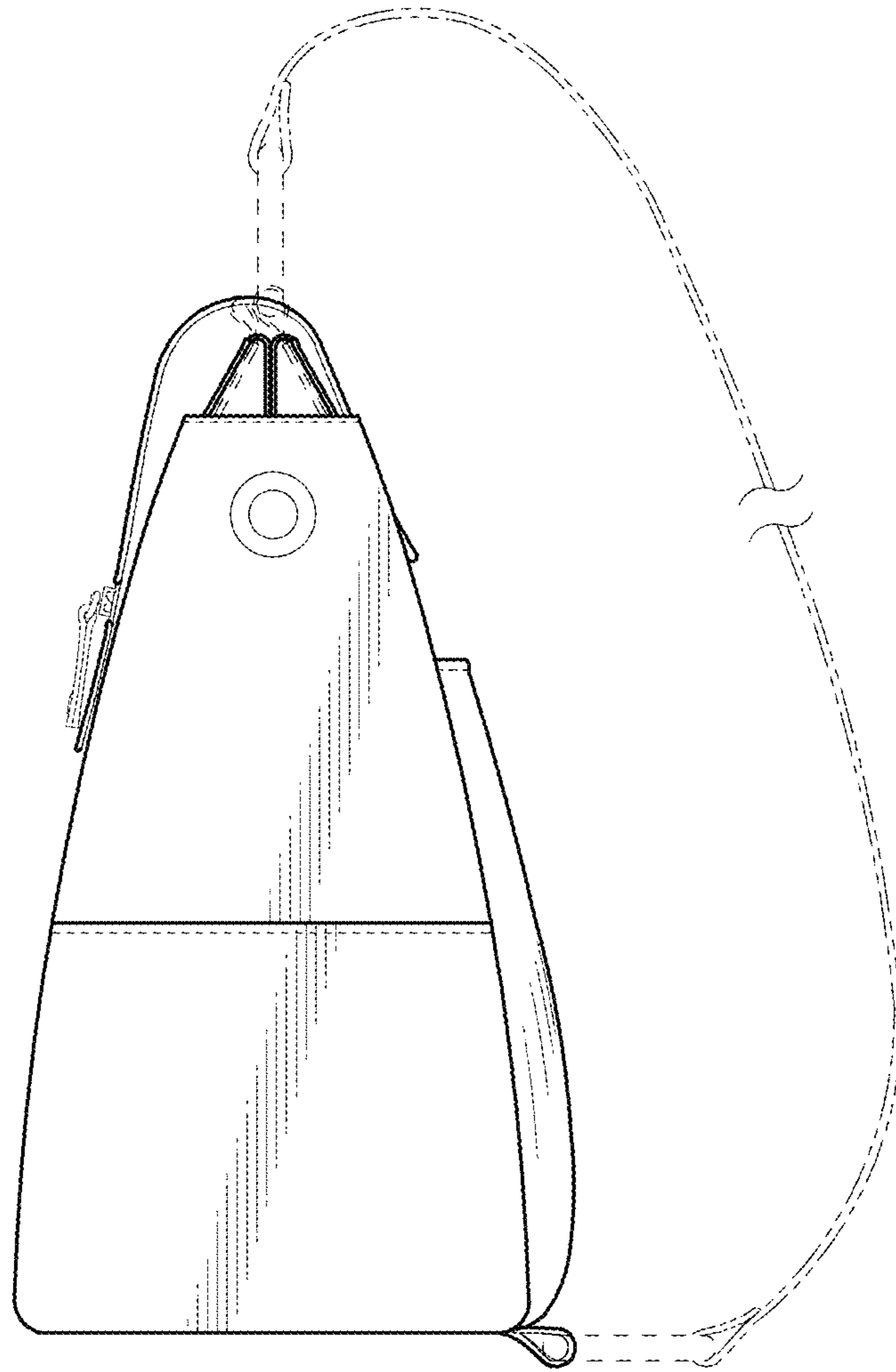


Fig. 7

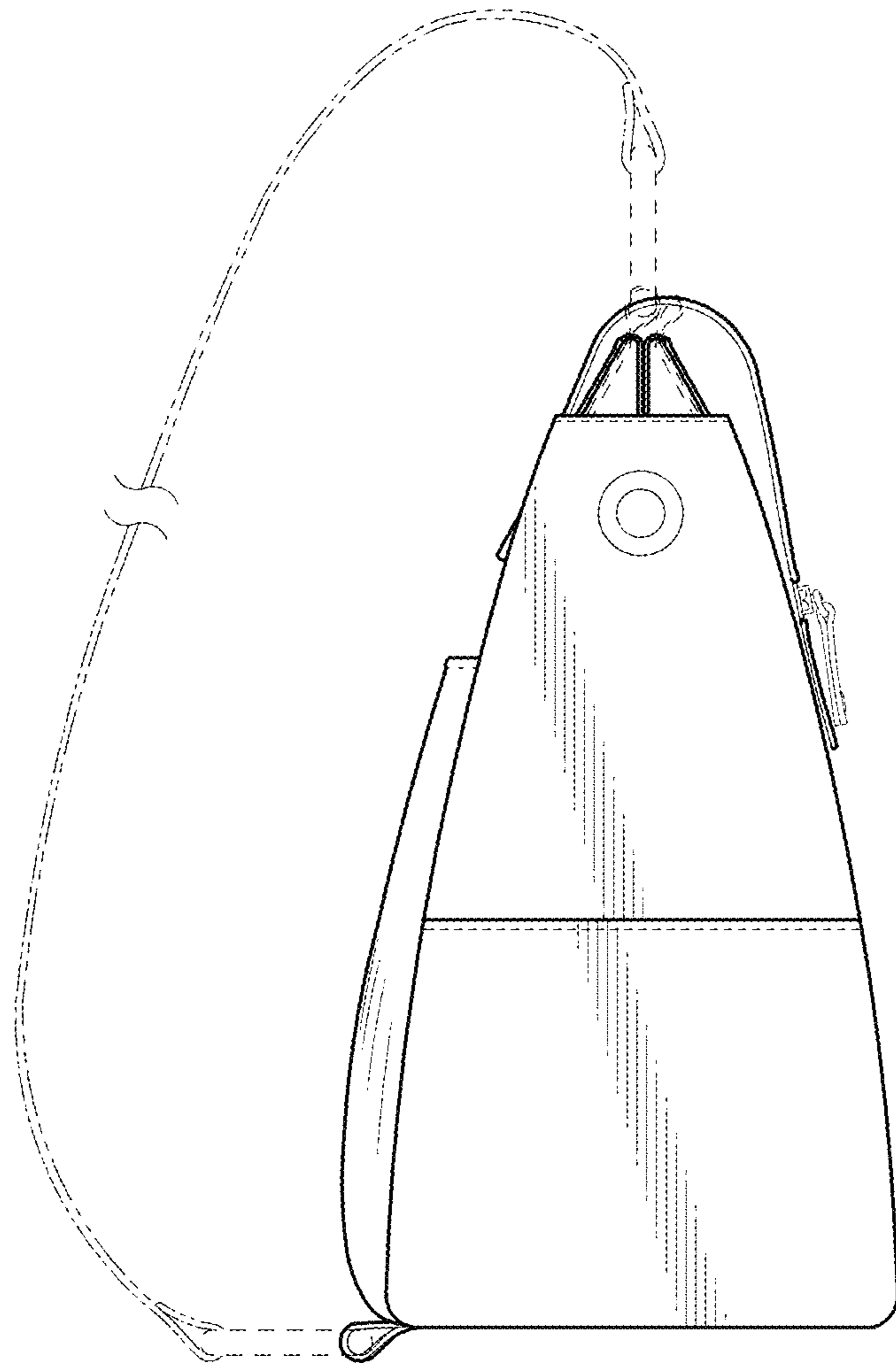


Fig. 8

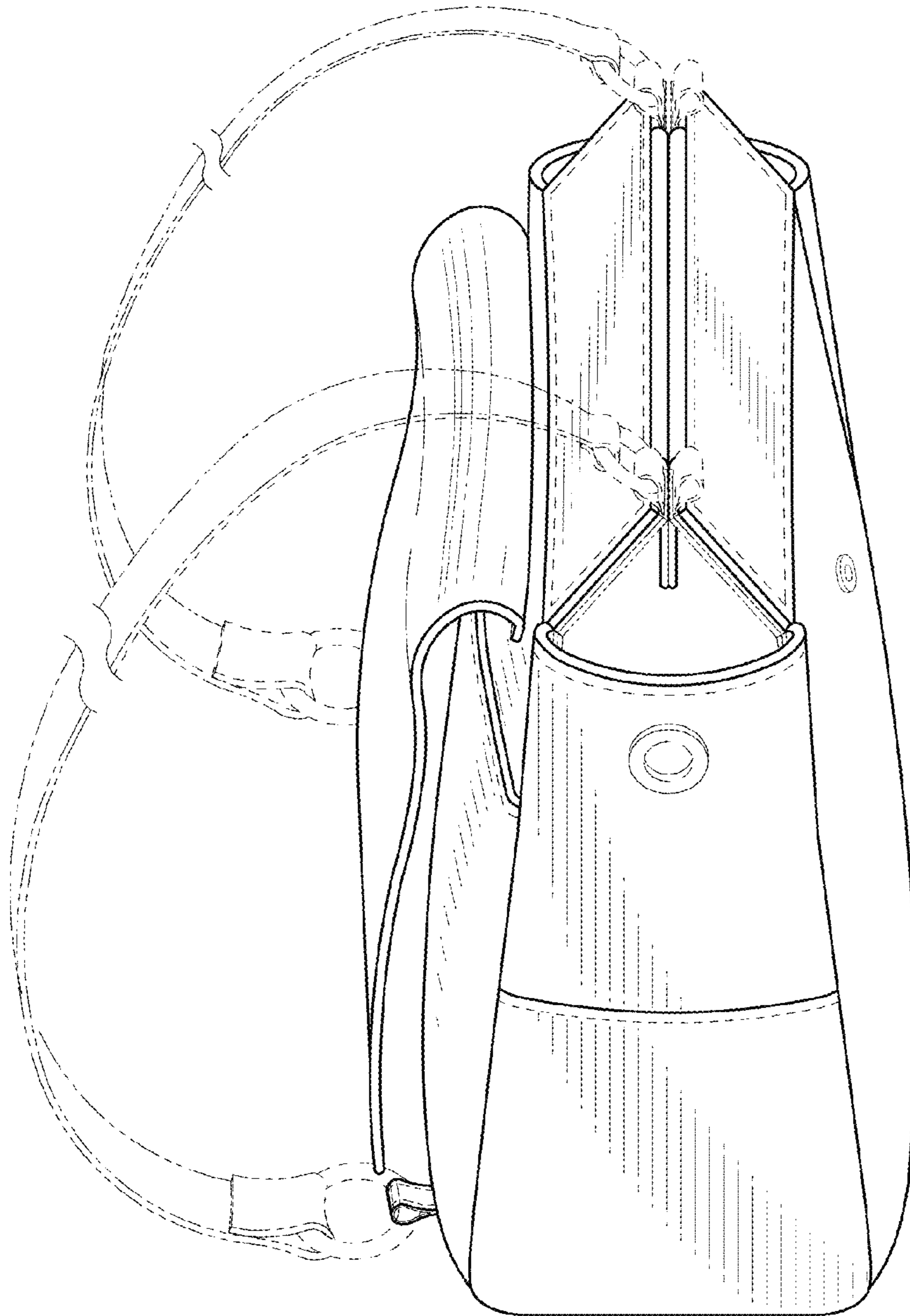


Fig. 9

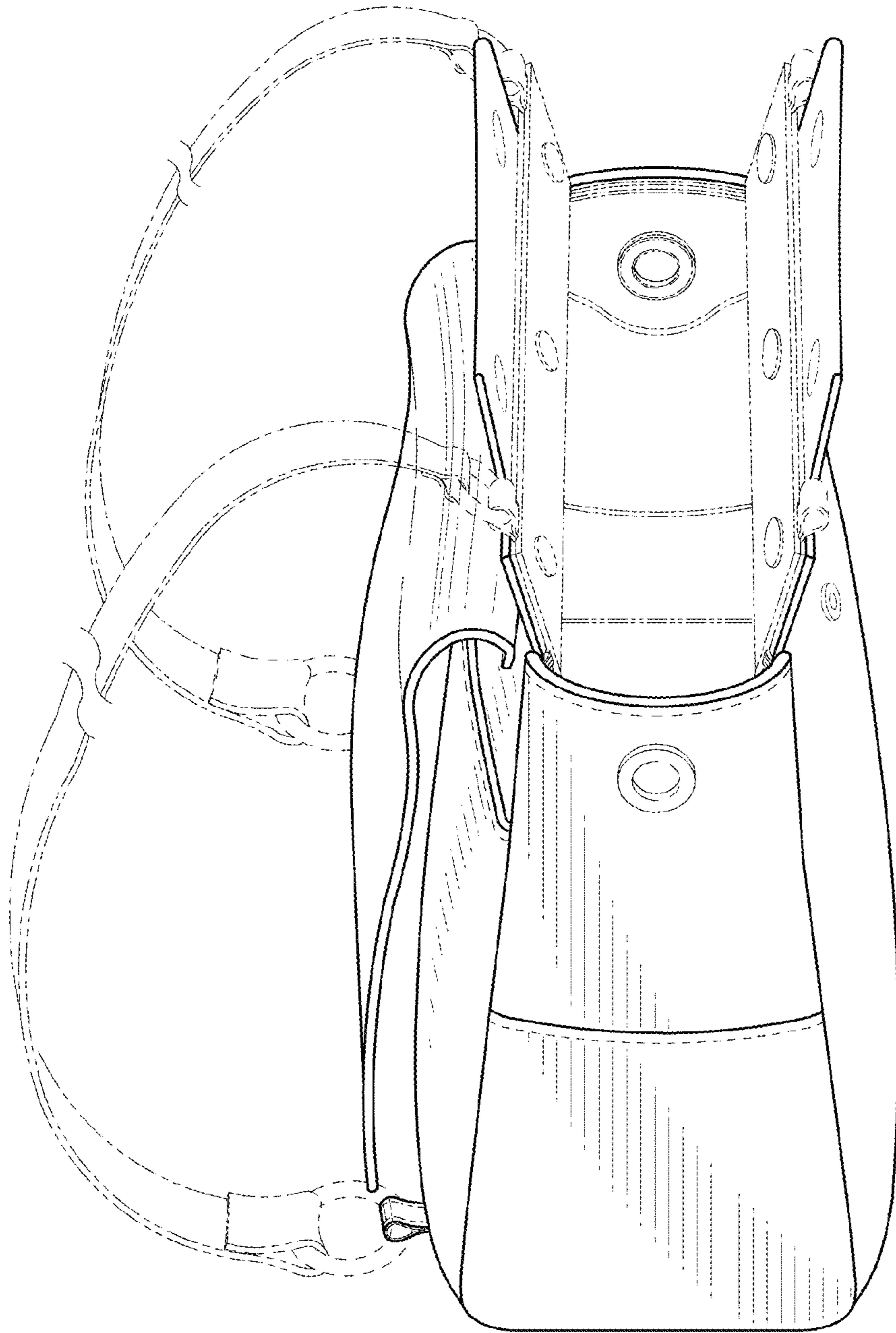


Fig. 10

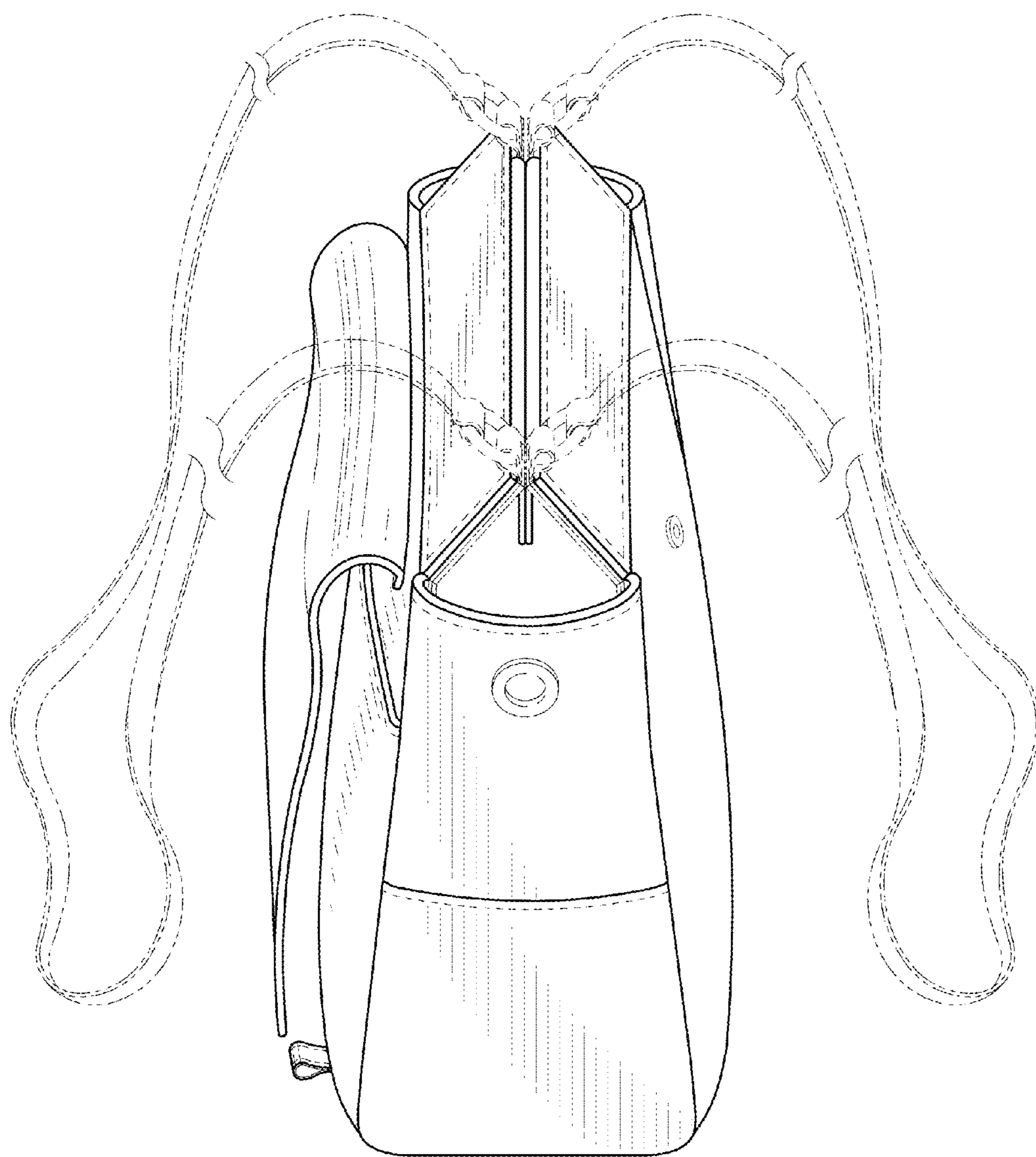


Fig. 11