



US00D692651S

(12) **United States Design Patent**  
**Chin**

(10) **Patent No.:** **US D692,651 S**

(45) **Date of Patent:** **\*\* Nov. 5, 2013**

(54) **UMBRELLA CARRIER**

(71) Applicant: **Penny Chin**, Boisbriand (CA)

(72) Inventor: **Penny Chin**, Boisbriand (CA)

(\*\*) Term: **14 Years**

(21) Appl. No.: **29/451,338**

(22) Filed: **Apr. 1, 2013**

English language abstract of JP 9084618 extracted from www. espacenet.com database dated Sep. 26, 2011; 1 page.

English language abstract of FR 2811871 extracted from www. espacenet.com database dated Sep. 26, 2011; 2 pages.

*Primary Examiner* — John Windmuller

(74) *Attorney, Agent, or Firm* — Howard & Howard Attorneys PLLC

(57) **CLAIM**

The ornamental design for an umbrella carrier, as shown and described.

**Related U.S. Application Data**

(60) Division of application No. 29/404,766, filed on Oct. 25, 2011, now Pat. No. Des. 681,323, which is a continuation of application No. 13/267,549, filed on Oct. 6, 2011.

(51) **LOC (9) Cl.** ..... **03-01**

(52) **U.S. Cl.**  
USPC ..... **D3/11**

(58) **Field of Classification Search**  
USPC ..... D3/5, 6, 10, 11, 12; 135/15.1, 19.5,  
135/25.41, 33.41, 34.2  
See application file for complete search history.

(56) **References Cited**

**U.S. PATENT DOCUMENTS**

D140,671 S \* 3/1945 Pascal ..... D6/553  
(Continued)

**FOREIGN PATENT DOCUMENTS**

DE 3524855 A1 12/1985  
DE 8713140 U1 11/1987

(Continued)

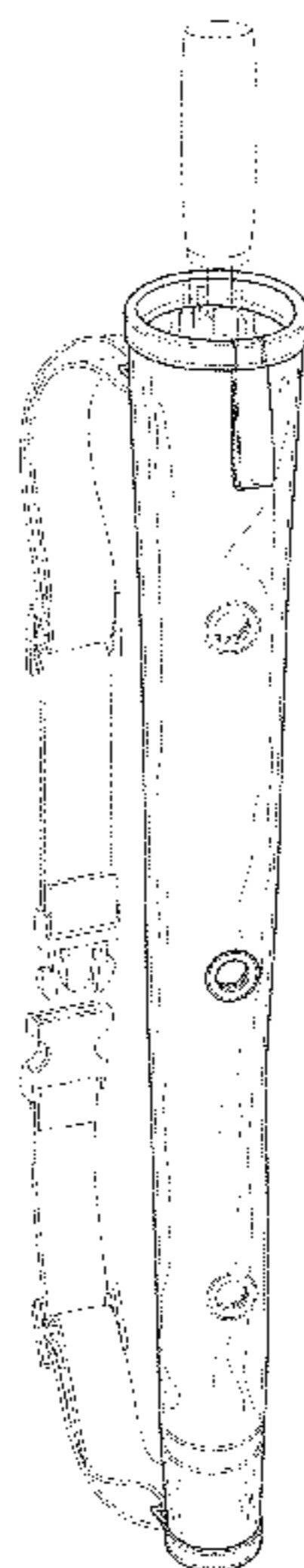
**OTHER PUBLICATIONS**

English language abstract of DE 3524855 extracted from www. espacenet.com database dated Sep. 26, 2011; 1 page.

**DESCRIPTION**

FIG. 1 is a front perspective view of an umbrella carrier showing upper and lower sections of strap assembly in a position different than the position shown in FIGS. 3-6; FIG. 2 is a front view of the umbrella carrier of FIG. 1; FIG. 3 is a left side elevational view of the umbrella carrier of FIG. 2. The right side elevational view of the umbrella carrier of FIG. 2 is a mirror image of the view shown in FIG. 3; FIG. 4 is a rear view of the umbrella carrier of FIG. 1; FIG. 5 is a top view of the umbrella carrier of FIG. 2; and, FIG. 6 is a bottom view of the umbrella carrier of FIG. 2. Broken lines indicate structure that is for illustrative purposes only and forms no part of the claimed design. In particular, FIGS. 1-4 show an umbrella in broken lines (inside the carrier with handle sticking out) for illustrative purposes only and FIG. 5 shows broken lines indicating structure that forms no part of the claimed design. Additionally, two of three eyelets, carrying straps, and a ring located below a first unclaimed eyelet are shown in broken lines and therefore form no part of the claimed design. The remaining broken lines are intended to indicate stitching. The difference between the broken lines showing unclaimed subject matter and the broken lines showing stitching is the stitching is represented by equal length dashes, while the unclaimed umbrella, structure, eyelets, carrying straps, and ring are represented by different length dashes.

**1 Claim, 3 Drawing Sheets**



(56)

**References Cited**

D512,559 S \* 12/2005 Silverman ..... D3/11

U.S. PATENT DOCUMENTS

FOREIGN PATENT DOCUMENTS

3,379,201 A \* 4/1968 Lynch ..... 135/34.2  
4,558,807 A 12/1985 Jackson  
D321,088 S \* 10/1991 Waters, Jr. .... D3/11  
D380,085 S 6/1997 Ramsey  
D450,919 S 11/2001 Lee

FR 2811871 A1 1/2002  
GB 2391469 B 2/2004  
JP 9084618 A 3/1997

\* cited by examiner

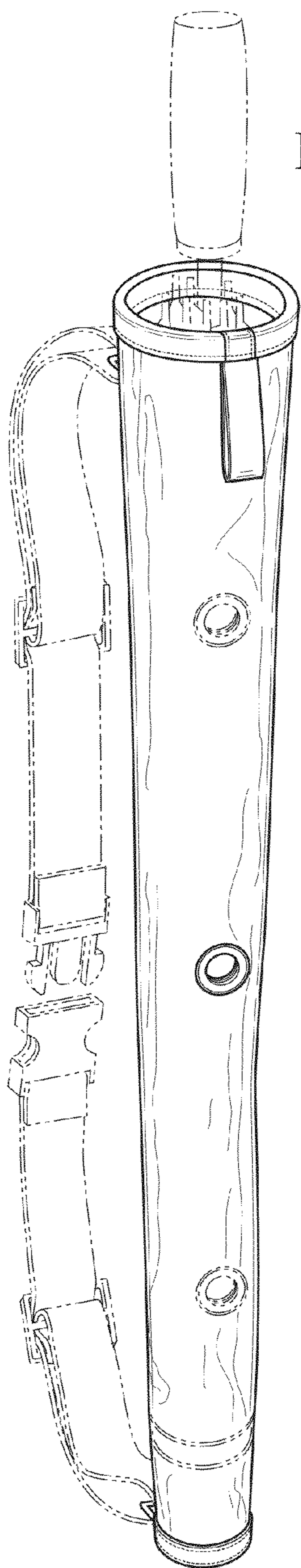


FIG. 1

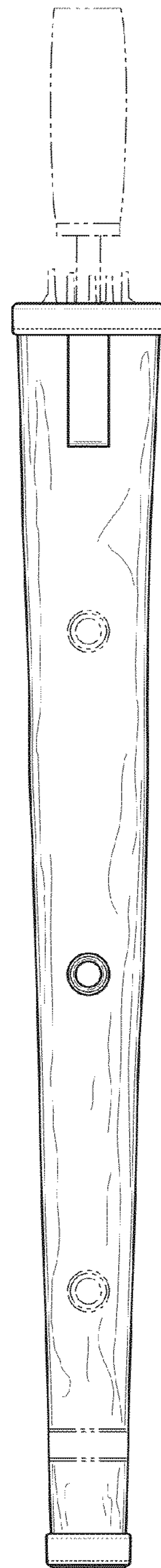


FIG. 2

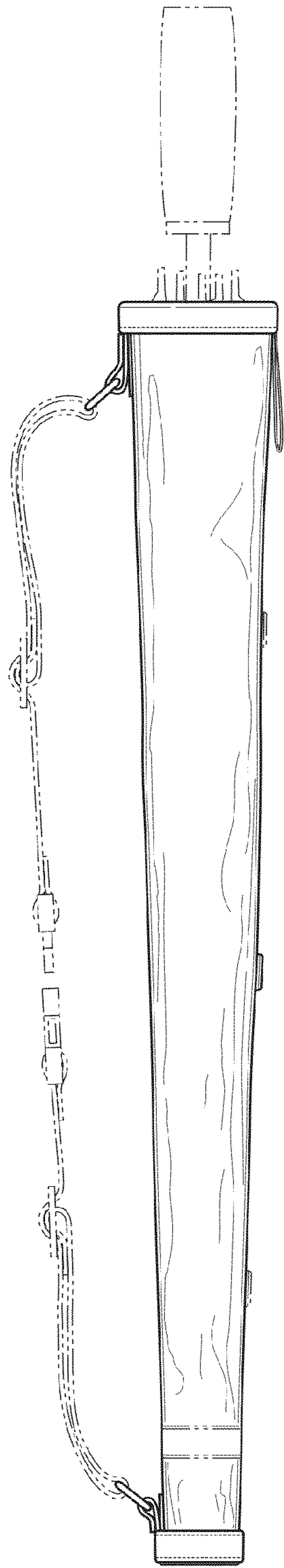


FIG. 3

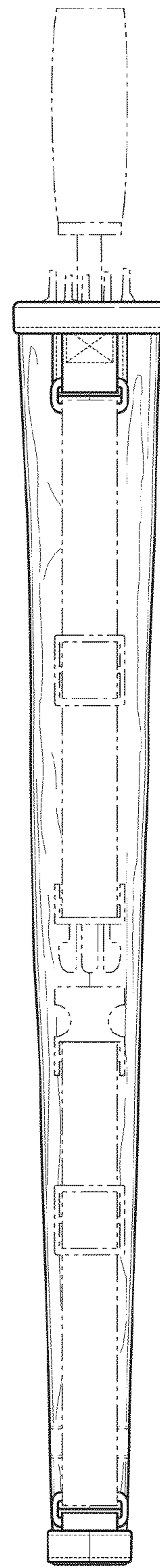
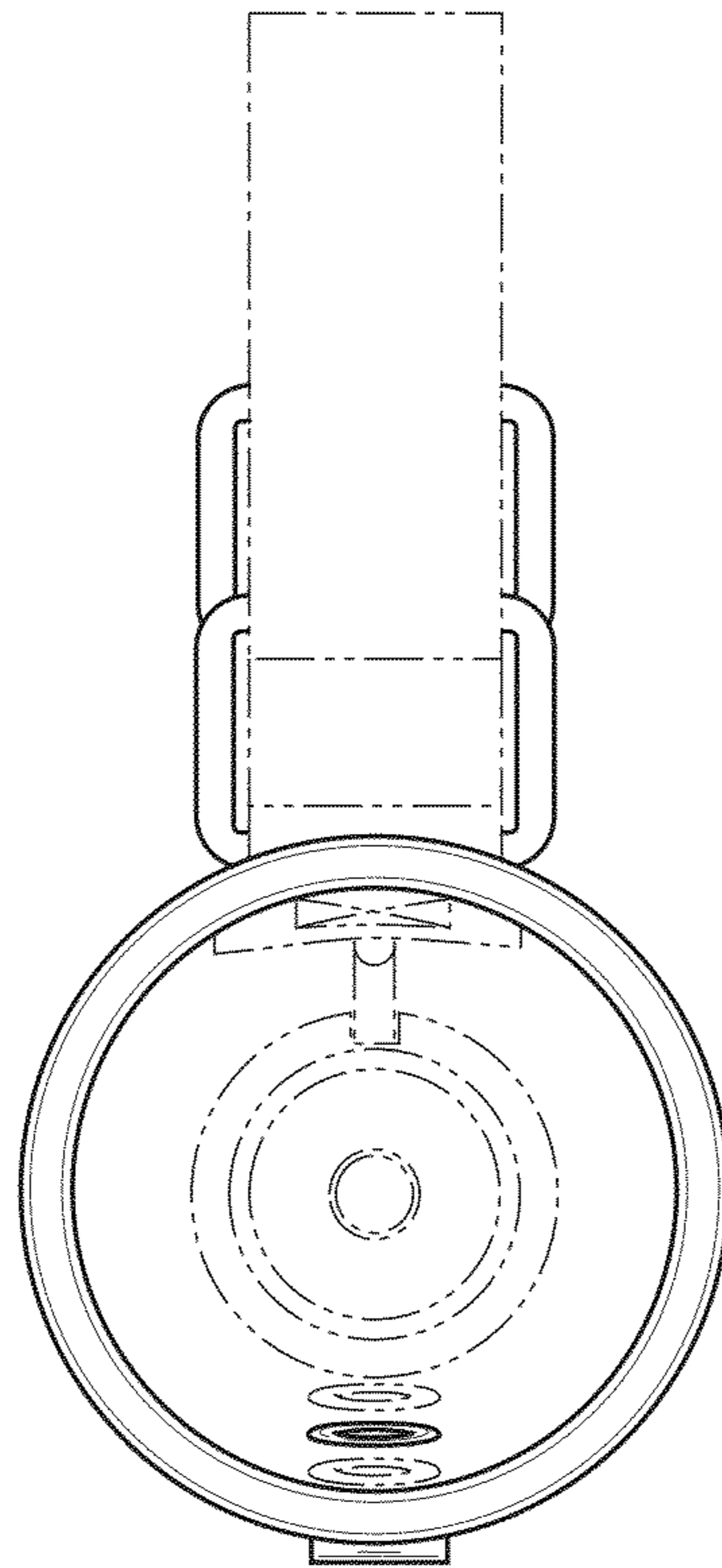
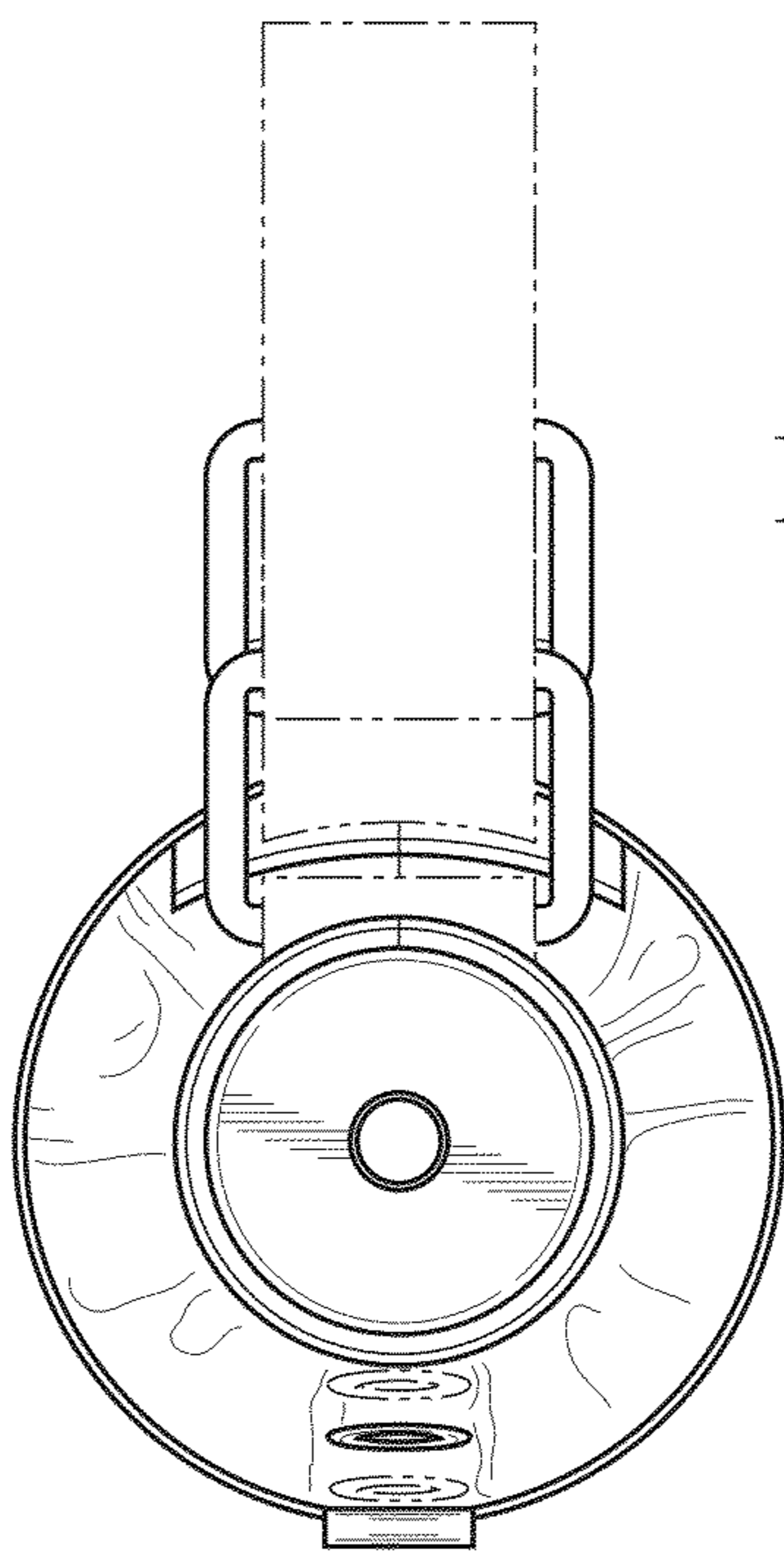


FIG. 4



**FIG. 5**



**FIG. 6**