

US00D692642S

(12) **United States Design Patent**
Nordbruch

(10) **Patent No.:** **US D692,642 S**
(45) **Date of Patent:** **** Nov. 5, 2013**

(54) **FOLDABLE APRON**

(71) Applicant: **Carl Nordbruch**, New Freedom, PA
(US)

(72) Inventor: **Carl Nordbruch**, New Freedom, PA
(US)

(**) Term: **14 Years**

(21) Appl. No.: **29/456,037**

(22) Filed: **May 28, 2013**

Related U.S. Application Data

(63) Continuation-in-part of application No. 12/687,216,
filed on Jan. 14, 2010.

(51) **LOC (9) Cl.** **02-02**

(52) **U.S. Cl.**
USPC **D2/864**

(58) **Field of Classification Search**
USPC D2/728, 860-864; 2/46, 48, 50, 51, 52,
2/69

See application file for complete search history.

(56) **References Cited**

U.S. PATENT DOCUMENTS

2,785,409	A *	3/1957	Lackey	2/51
3,553,735	A *	1/1971	Jeffcoat	2/52
3,624,686	A *	11/1971	Beals	434/98
4,796,304	A	1/1989	Shelby		
D334,663	S *	4/1993	Petrillo	D3/226

6,216,931	B1	4/2001	Trawinski		
D461,945	S *	8/2002	Byrd	D2/864
6,726,075	B1	4/2004	Patel et al.		
D496,787	S *	10/2004	Cabrera et al.	D3/228
D527,869	S *	9/2006	Knigge	D2/864
D533,995	S *	12/2006	Booth	D3/224
D559,534	S *	1/2008	Rider et al.	D3/224
D621,136	S *	8/2010	Williams	D2/864
D637,394	S *	5/2011	Cunningham et al.	D3/228
D664,327	S *	7/2012	Lauro	D2/728
2006/0225958	A1	10/2006	Hajari		
2008/0208149	A1 *	8/2008	Vasquez	604/322

* cited by examiner

Primary Examiner — Rashida Johnson

(74) *Attorney, Agent, or Firm* — Montgomery Patent &
Design; Robert C. Montgomery

(57) **CLAIM**

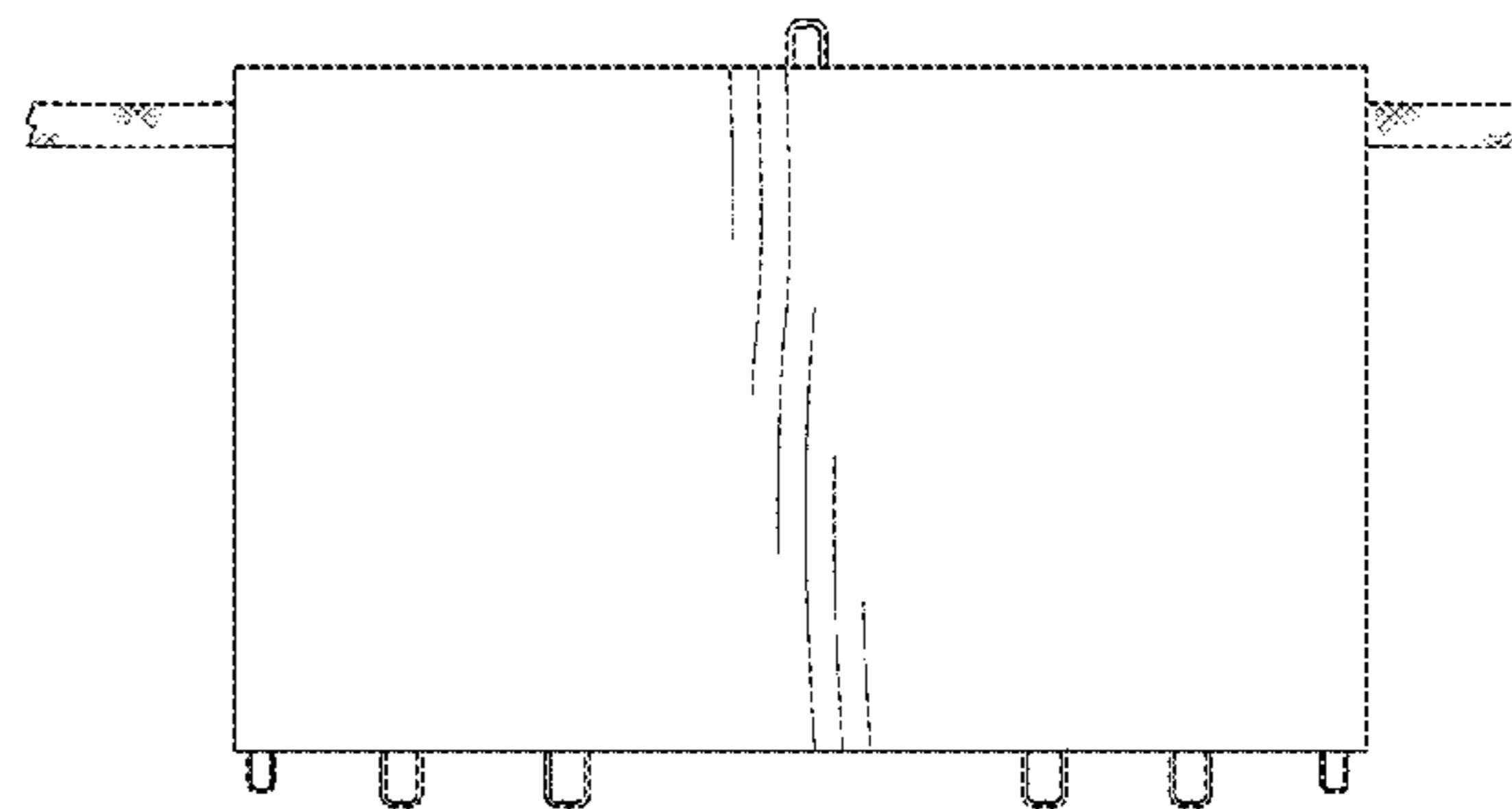
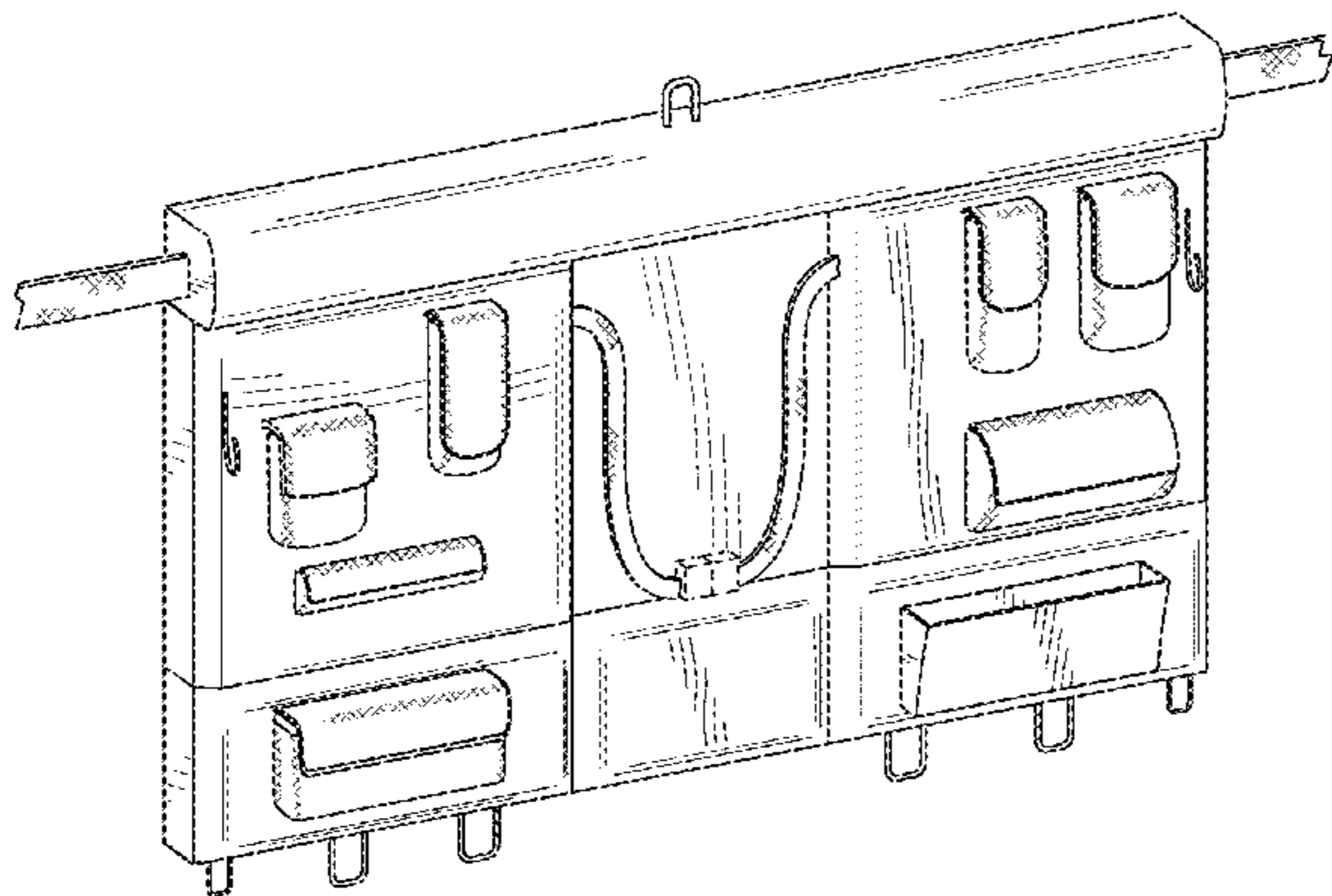
The ornamental design for a foldable apron, as shown and
described.

DESCRIPTION

FIG. 1 is an isometric view of a foldable apron;
FIG. 2 is front view thereof;
FIG. 3 is a rear view thereof;
FIG. 4 is a left side view thereof;
FIG. 5 is a right side view thereof;
FIG. 6 is a top view thereof; and,
FIG. 7 is a bottom view thereof.

The broken line illustrations in FIG. 1 and FIG. 2 are for the
purpose of illustrating a fastener and forms no part of the
claimed design.

1 Claim, 5 Drawing Sheets



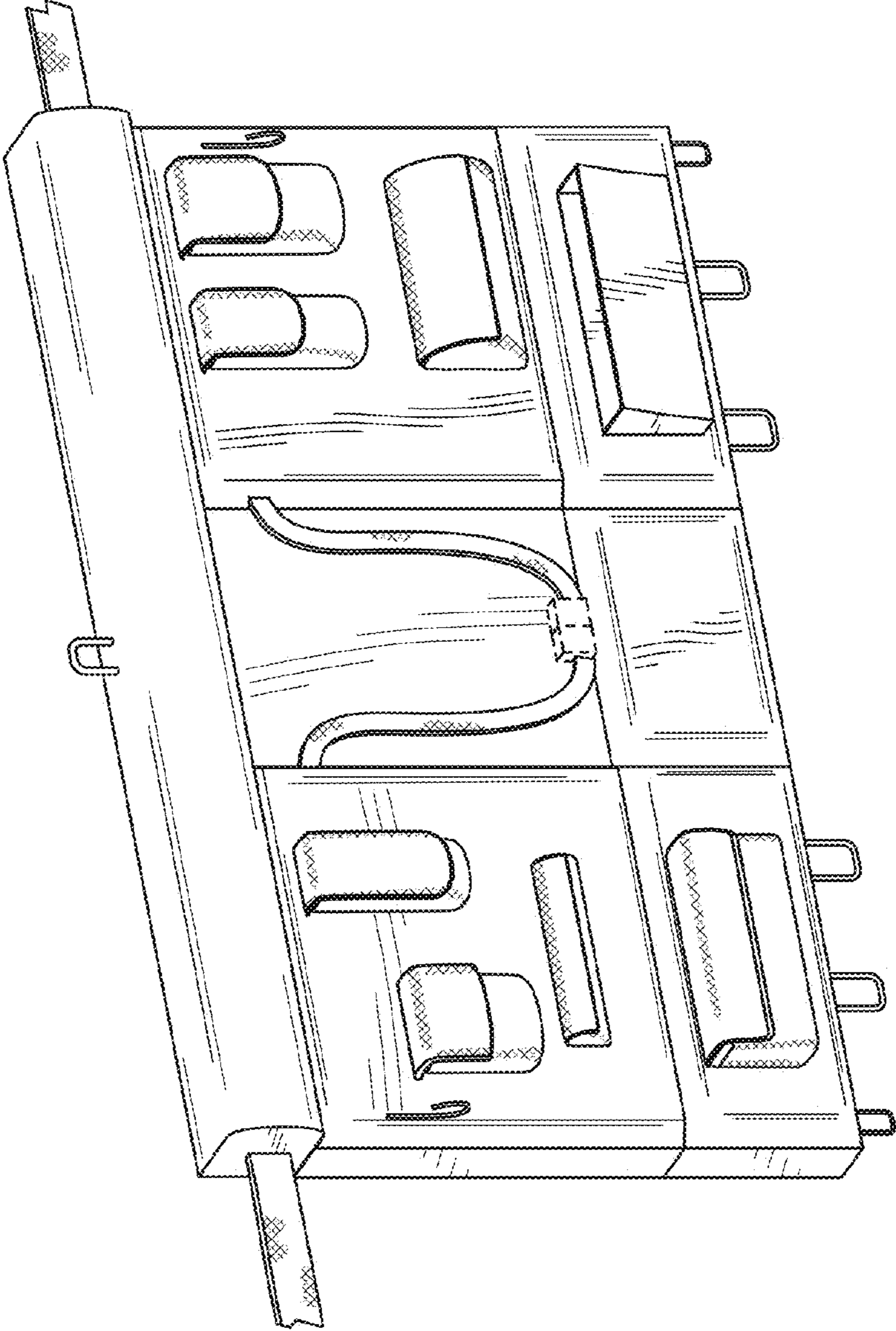


Fig. 1

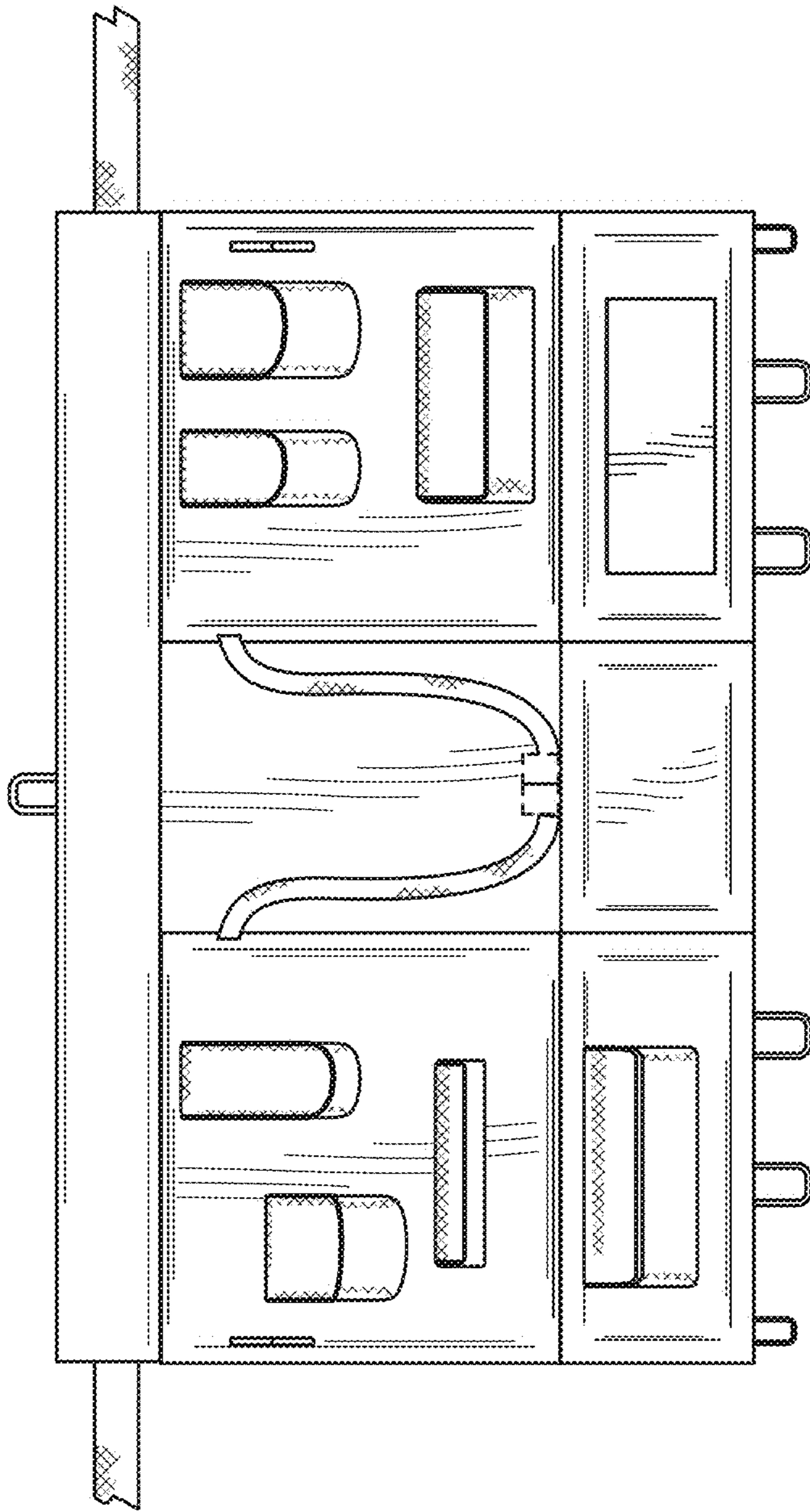


Fig. 2

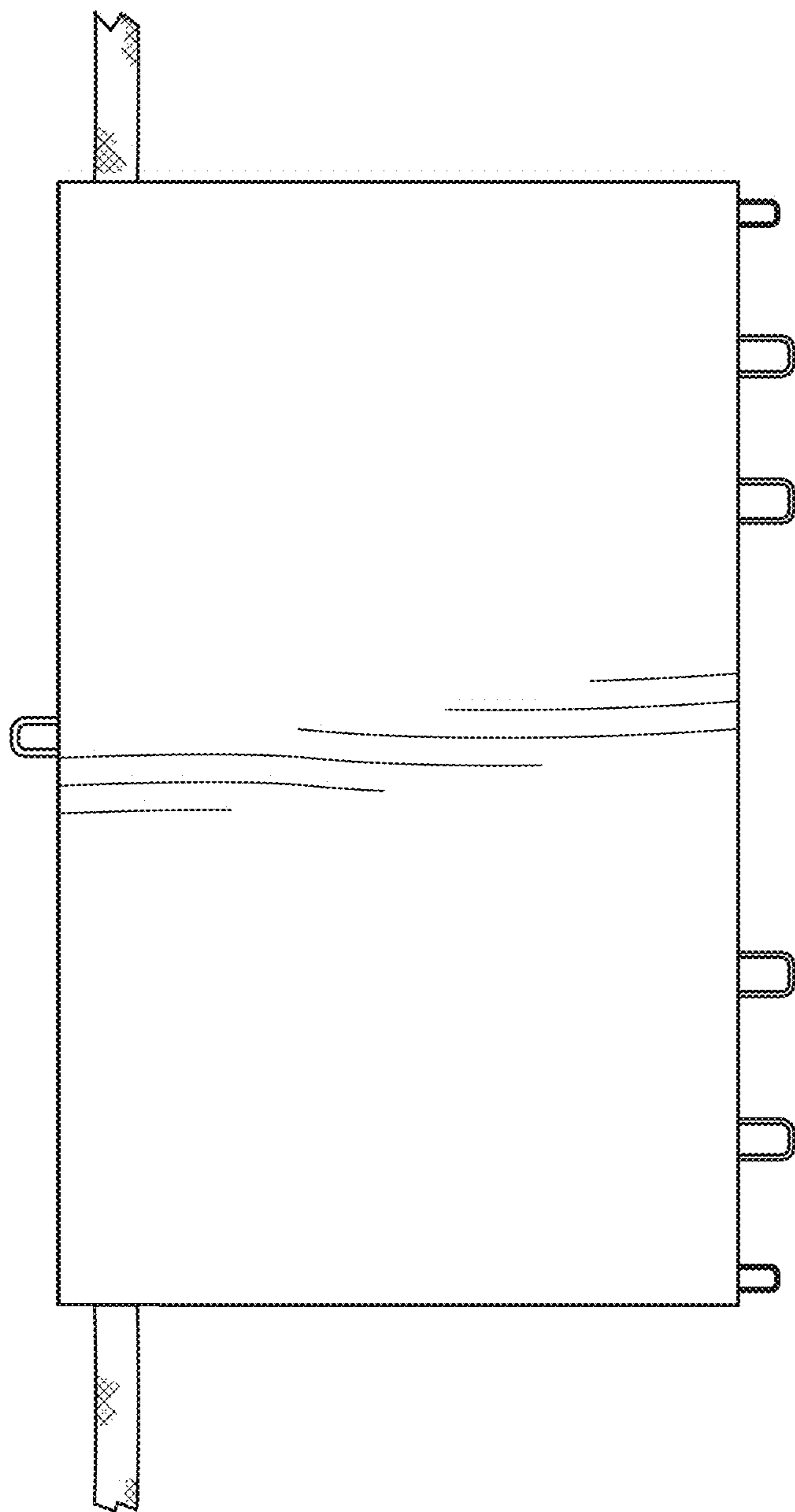


Fig. 3

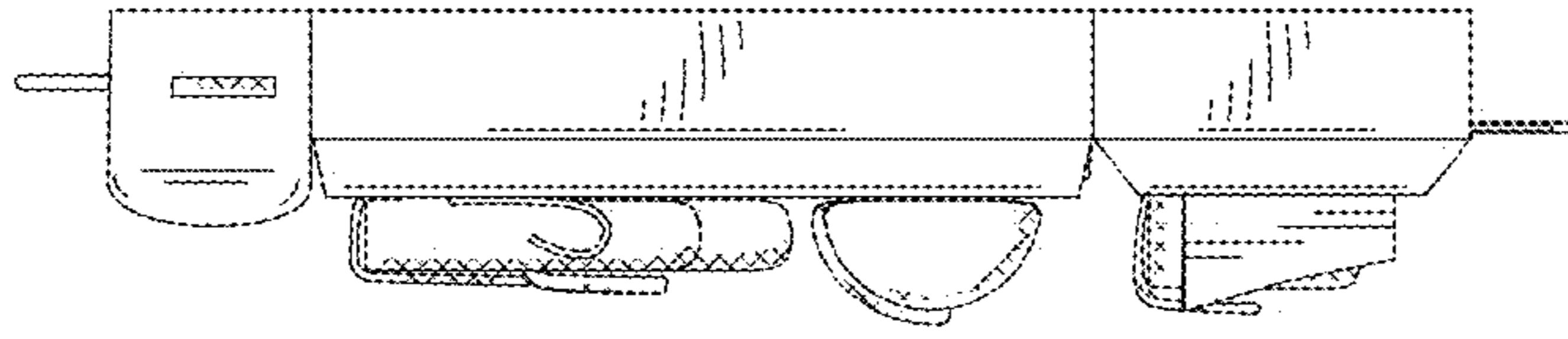


Fig. 5

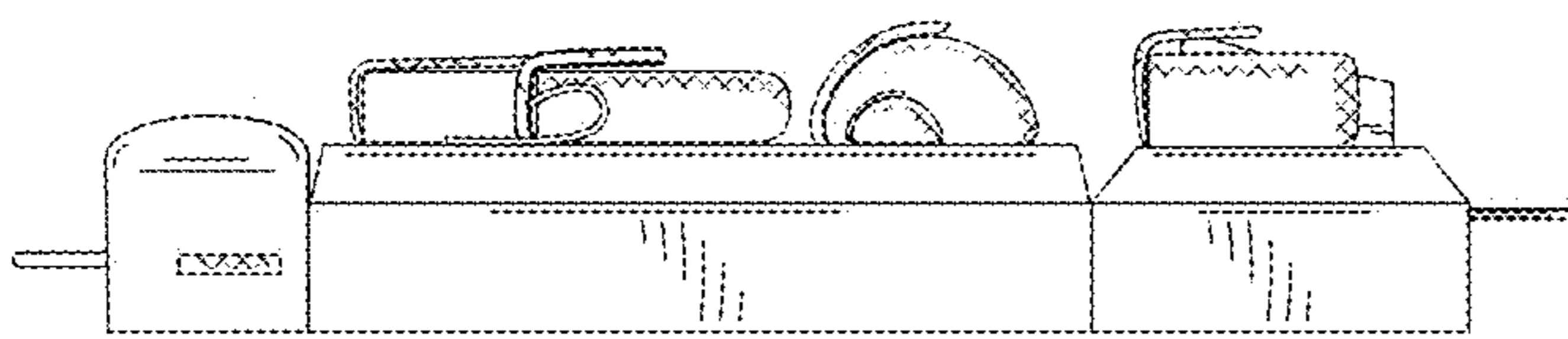


Fig. 4

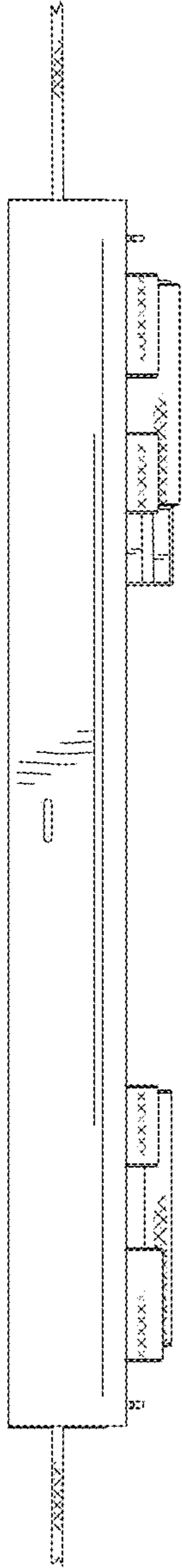


Fig. 6

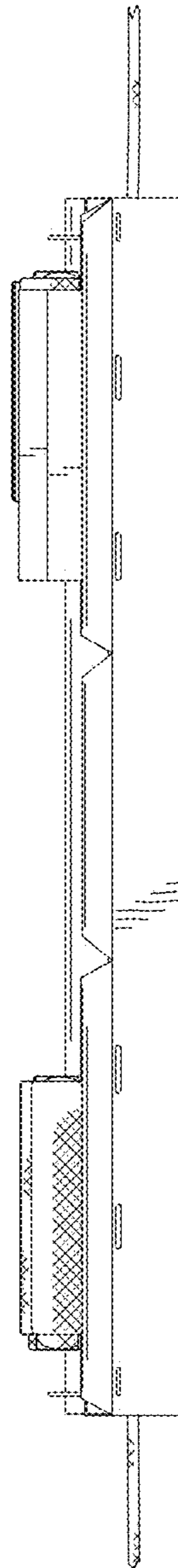


Fig. 7