



US00D692635S

(12) **United States Design Patent**  
**Hacker**

(10) **Patent No.:** **US D692,635 S**

(45) **Date of Patent:** **\*\* Oct. 29, 2013**

(54) **COIN BANK**

(76) Inventor: **Marshall Hacker**, Montebello, CA (US)

(\*\*) Term: **14 Years**

(21) Appl. No.: **29/403,964**

(22) Filed: **Oct. 13, 2011**

(51) **LOC (9) Cl.** ..... **99-00**

(52) **U.S. Cl.**  
USPC ..... **D99/42**

(58) **Field of Classification Search**  
USPC ..... D99/28, 34, 35, 36, 37, 42, 43, 99;  
D3/207, 208, 260, 272, 273; 206/0.8,  
206/0.81, 0.815, 0.82, 0.83, 0.84, 38.1, 234,  
206/39, 39.1; 109/1 R, 1 V, 2, 24.1, 58, 59 R,  
109/66; 446/8-13

See application file for complete search history.

(56) **References Cited**

**U.S. PATENT DOCUMENTS**

D13,298 S *	9/1882	Smith .....	D99/42
D22,291 S *	3/1893	Shimer .....	D99/42
1,282,003 A *	10/1918	Sellner .....	280/827
D53,681 S *	8/1919	Haupt .....	D99/42
D57,100 S *	2/1921	Bailey .....	D99/42
1,540,170 A *	6/1925	Frick .....	180/65.6
D149,093 S *	3/1948	Seymour .....	D99/42
D202,434 S *	9/1965	Schrechengost .....	D21/426
D236,017 S *	7/1975	Pakka .....	D21/548
D248,580 S *	7/1978	Luttrell et al. ....	D99/30

D345,771 S *	4/1994	Angiolella .....	D21/550
D383,503 S *	9/1997	Pierce .....	D21/426
D411,110 S *	6/1999	Kangas .....	D99/30
D604,925 S *	11/2009	Hofman et al. ....	D99/28

\* cited by examiner

*Primary Examiner* — Elizabeth J Oswecki

(74) *Attorney, Agent, or Firm* — Christie, Parker & Hale, LLP

(57) **CLAIM**

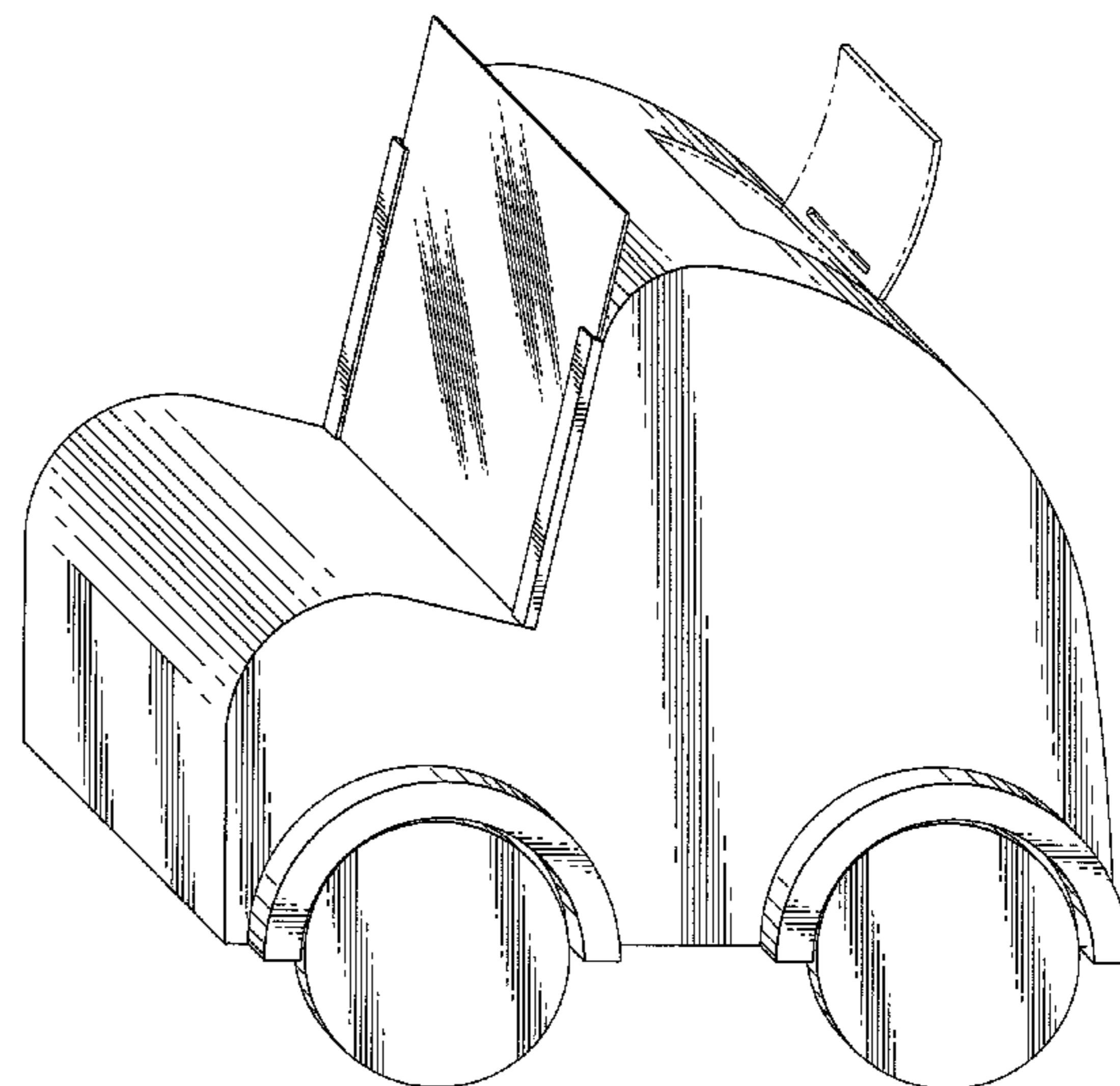
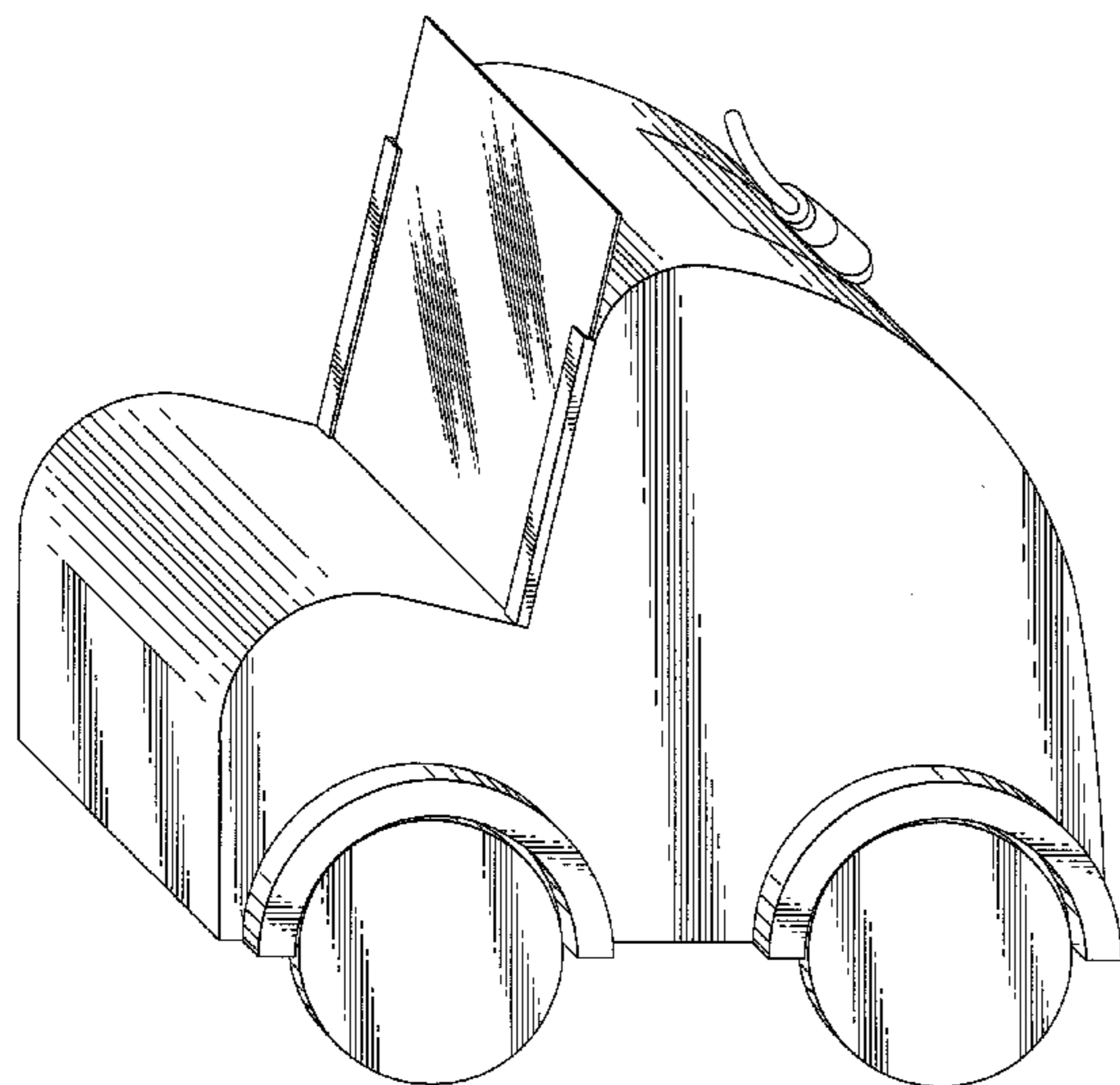
The ornamental design for a coin bank, as shown and described.

**DESCRIPTION**

FIG. 1 is a perspective view of a coin bank showing my new design in a closed configuration;  
 FIG. 2 is a side view thereof;  
 FIG. 3 is a front view thereof;  
 FIG. 4 is a rear view thereof;  
 FIG. 5 is a top view thereof;  
 FIG. 6 is a bottom view thereof;  
 FIG. 7 is another perspective view of a coin bank showing my new design in an open configuration;  
 FIG. 8 is a side view thereof;  
 FIG. 9 is a front view thereof;  
 FIG. 10 is a rear view thereof; and,  
 FIG. 11 is a top view thereof.

The broken lines shown in the drawings represent portions of the coin bank that form no part of the claimed design.

**1 Claim, 11 Drawing Sheets**



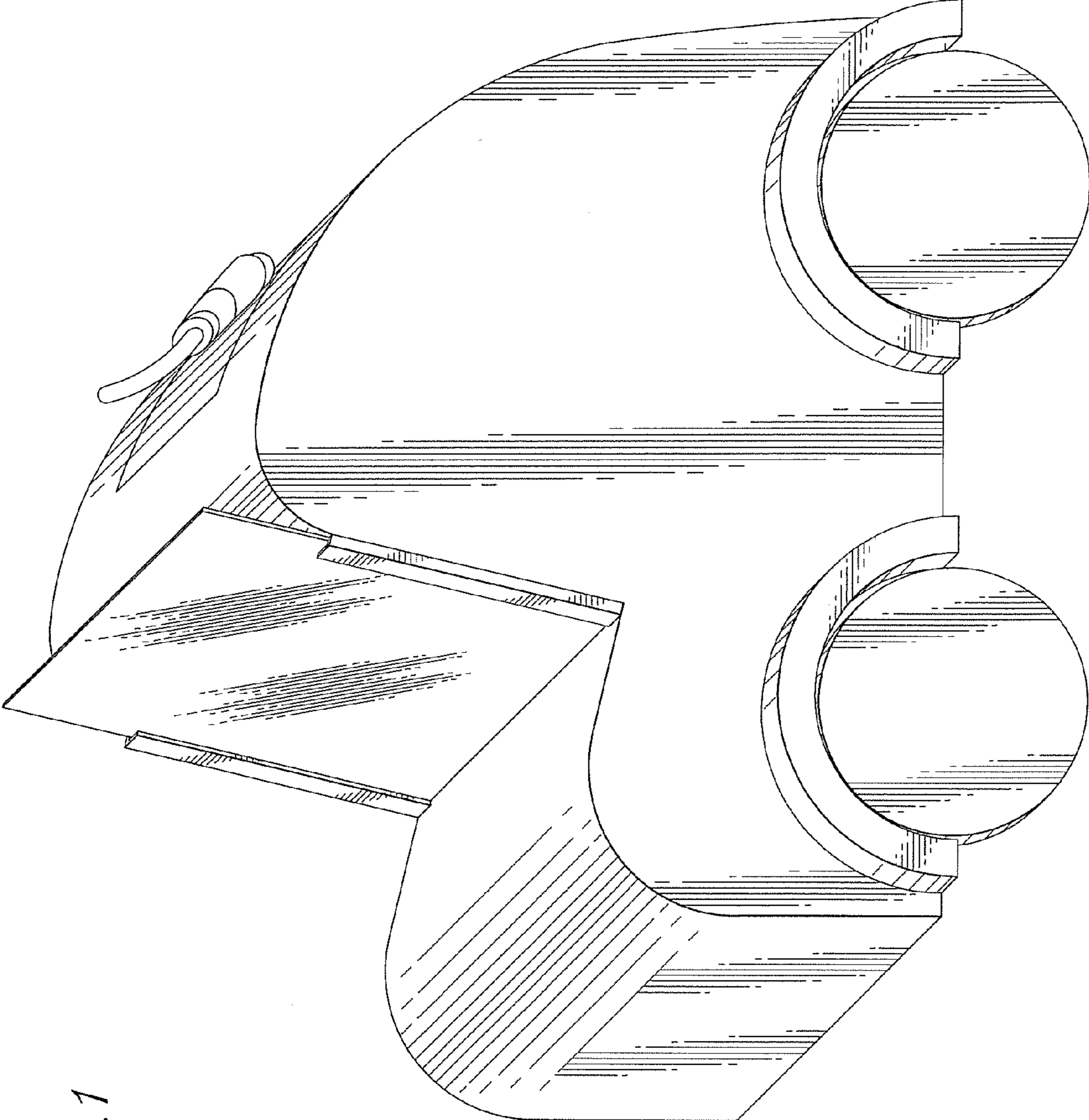
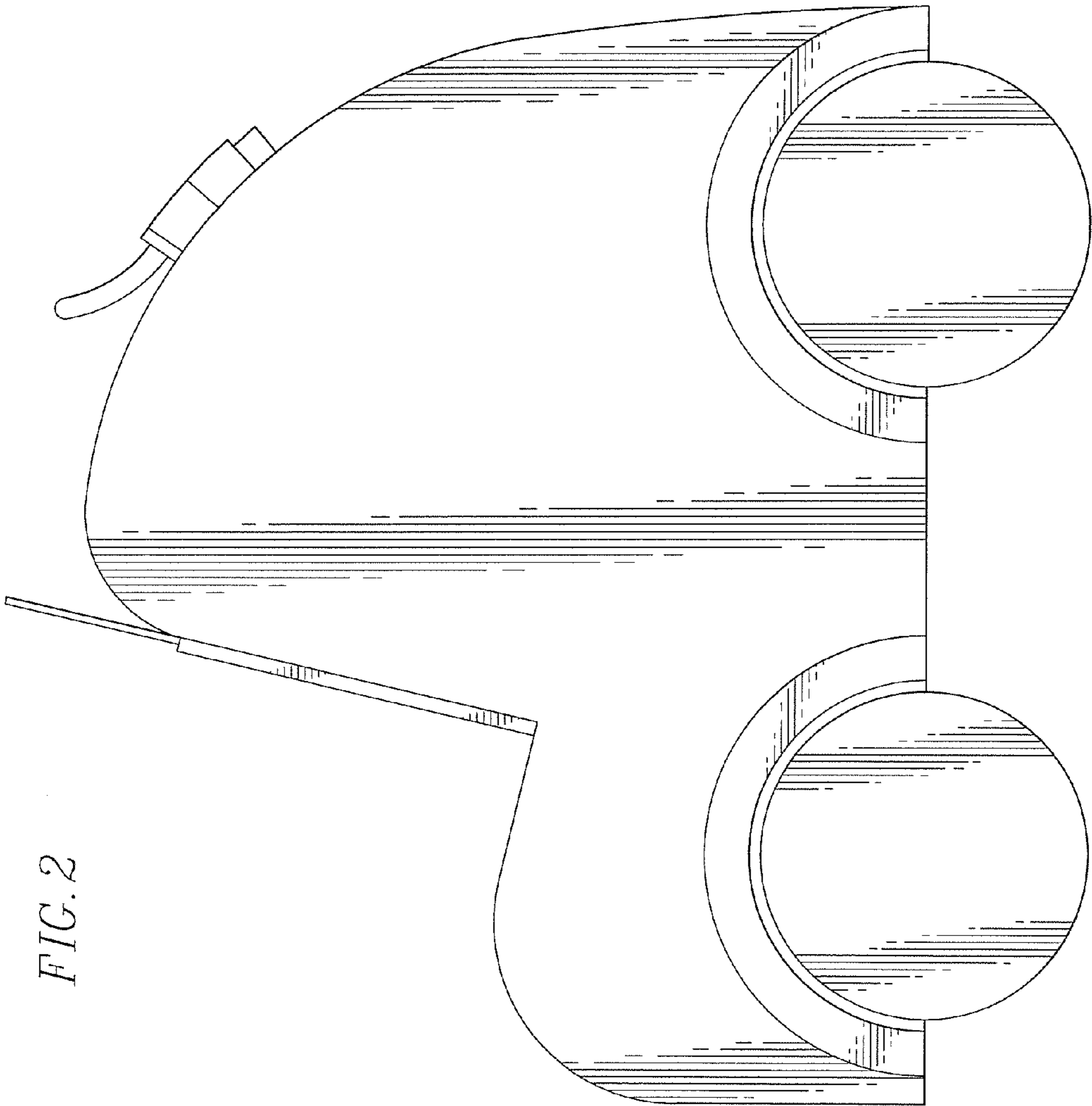


FIG. 1



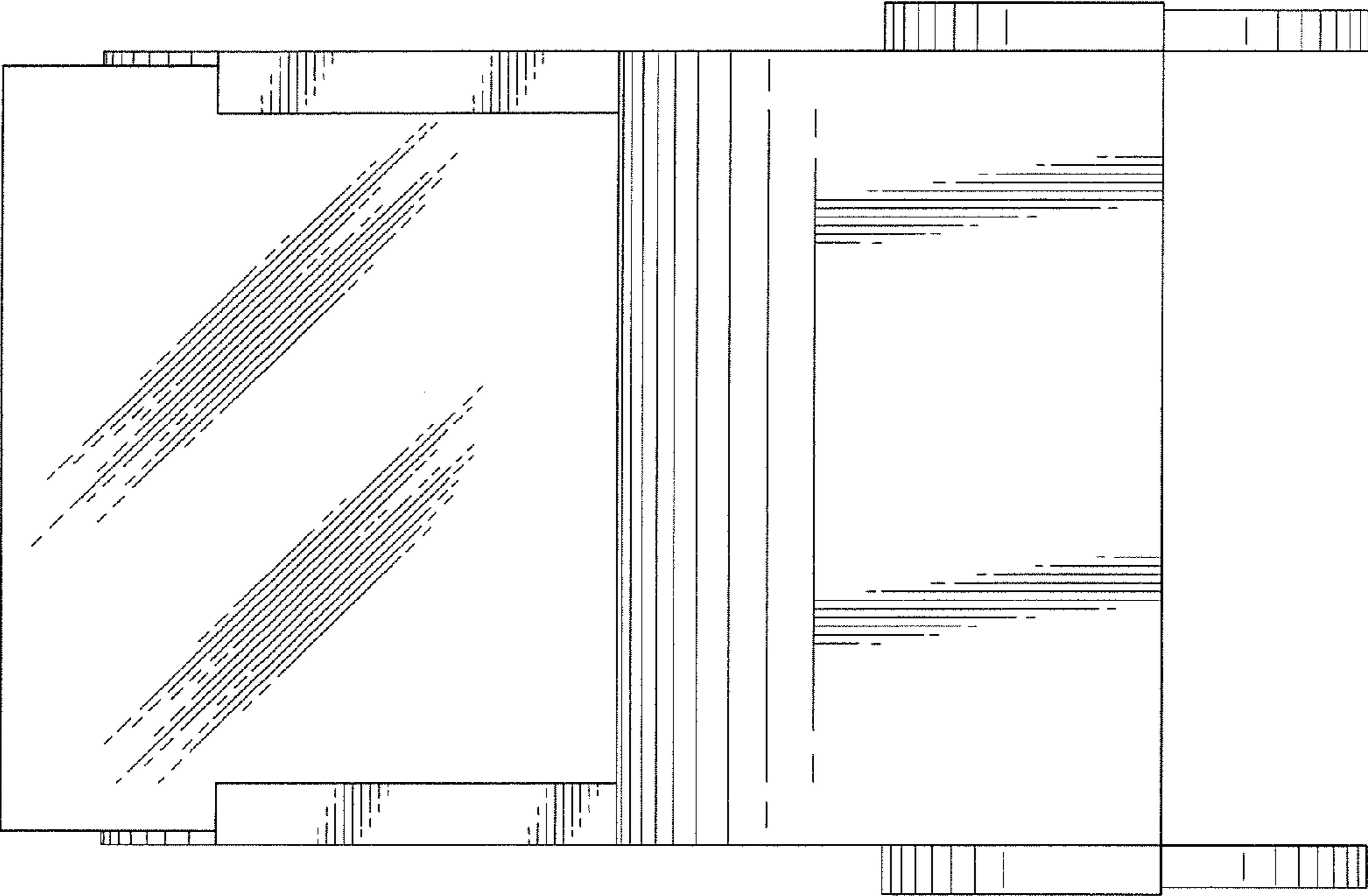


FIG. 3

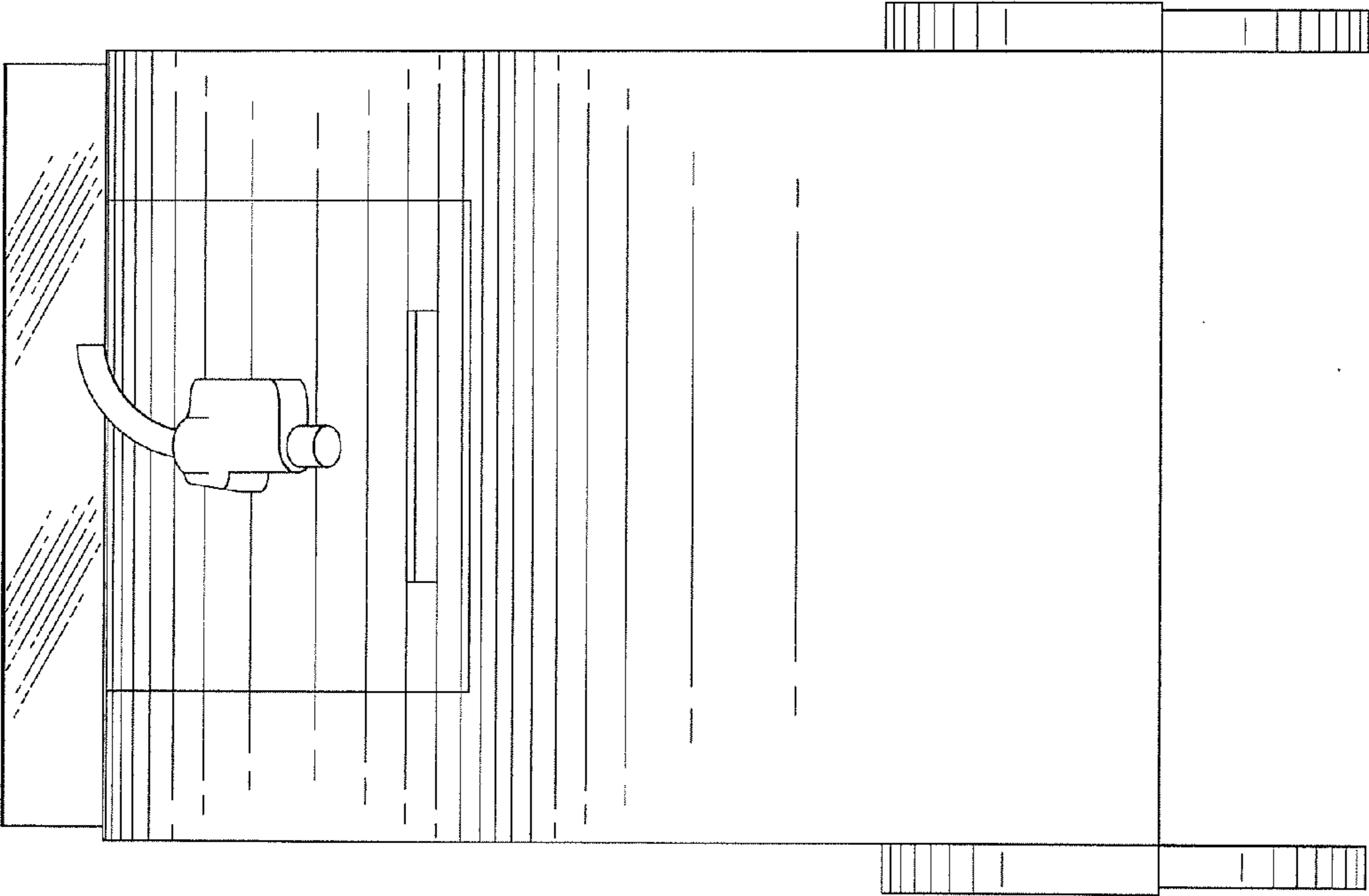


FIG. 4



FIG. 5

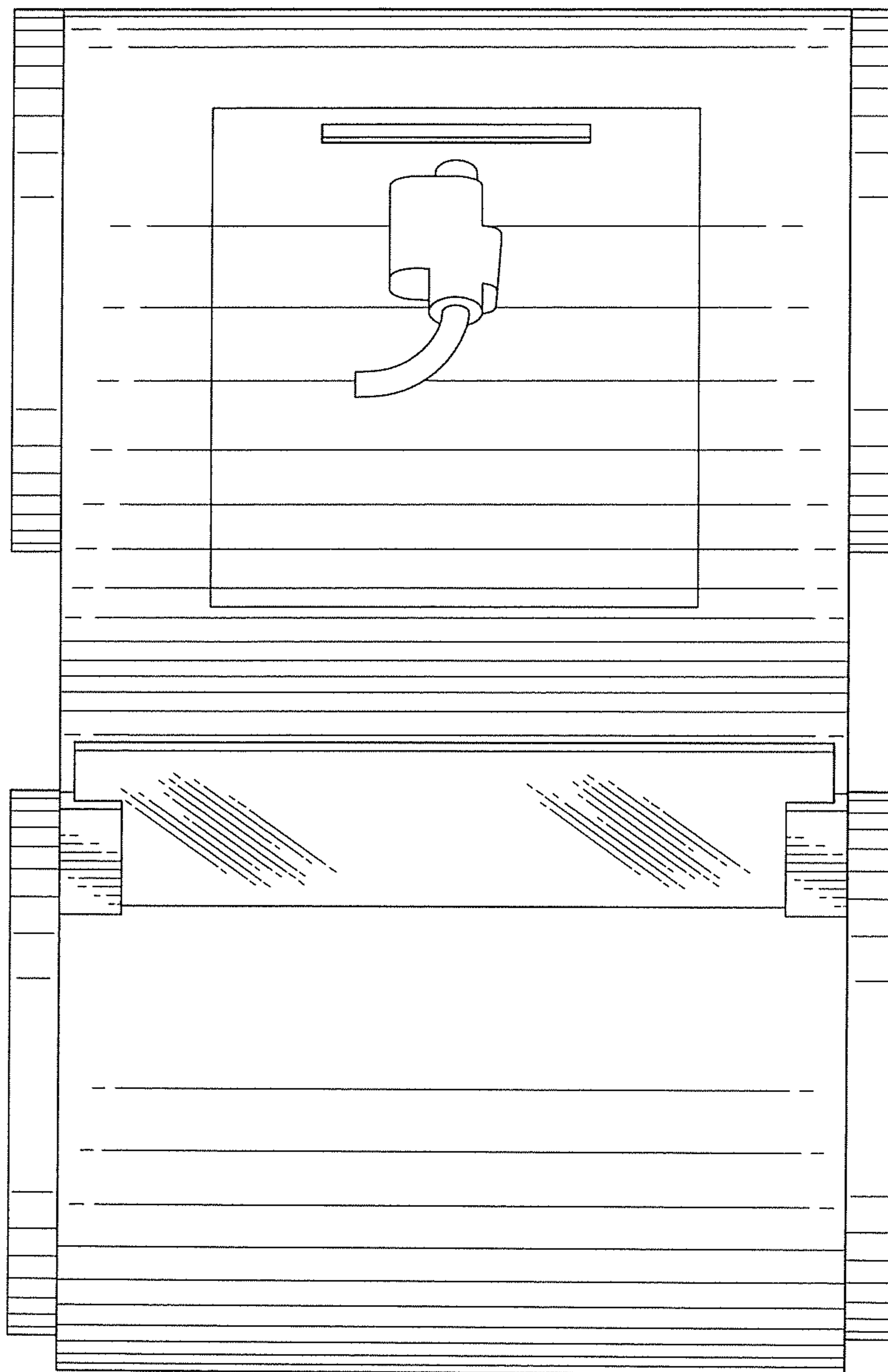
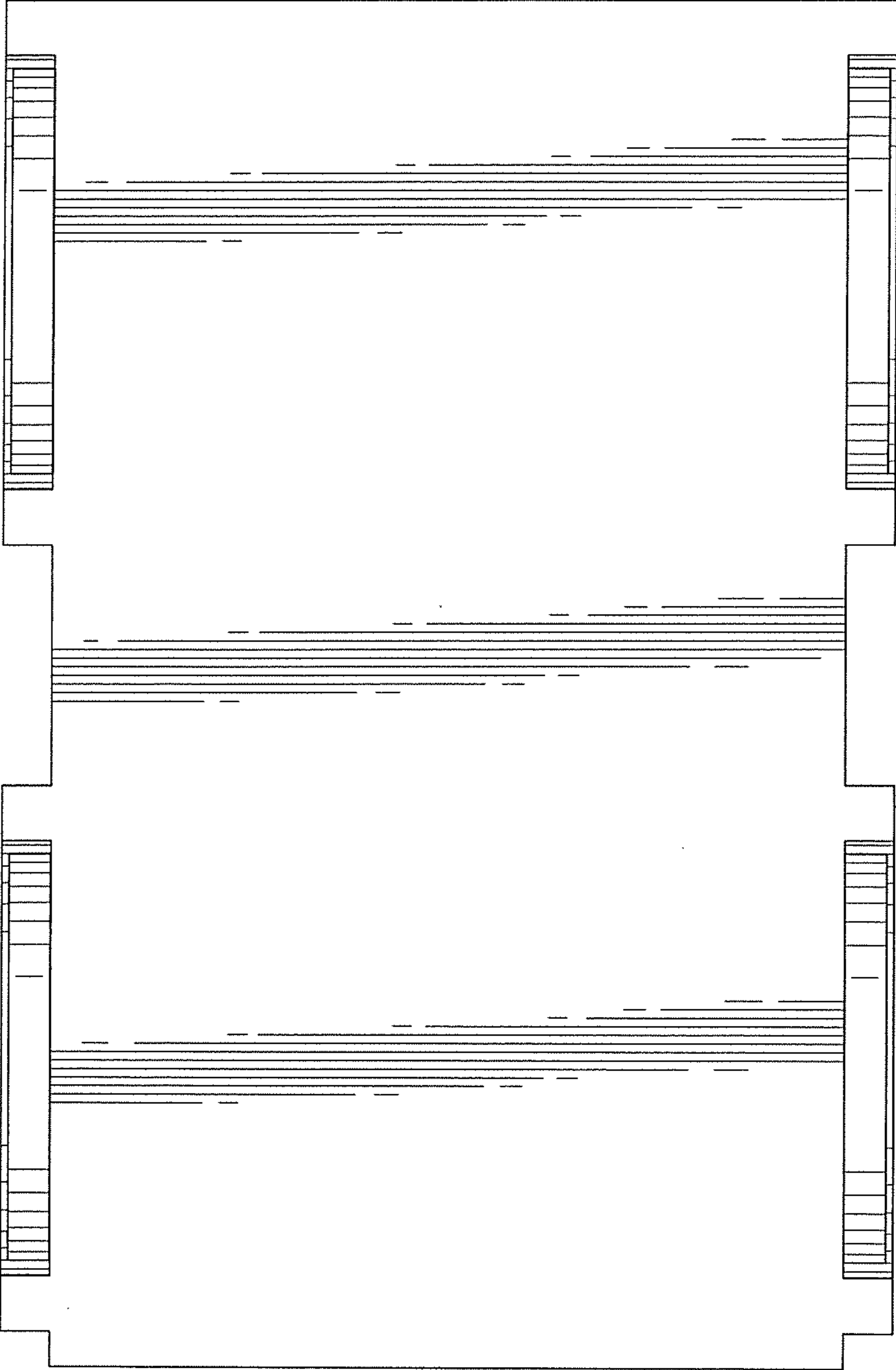


FIG. 6



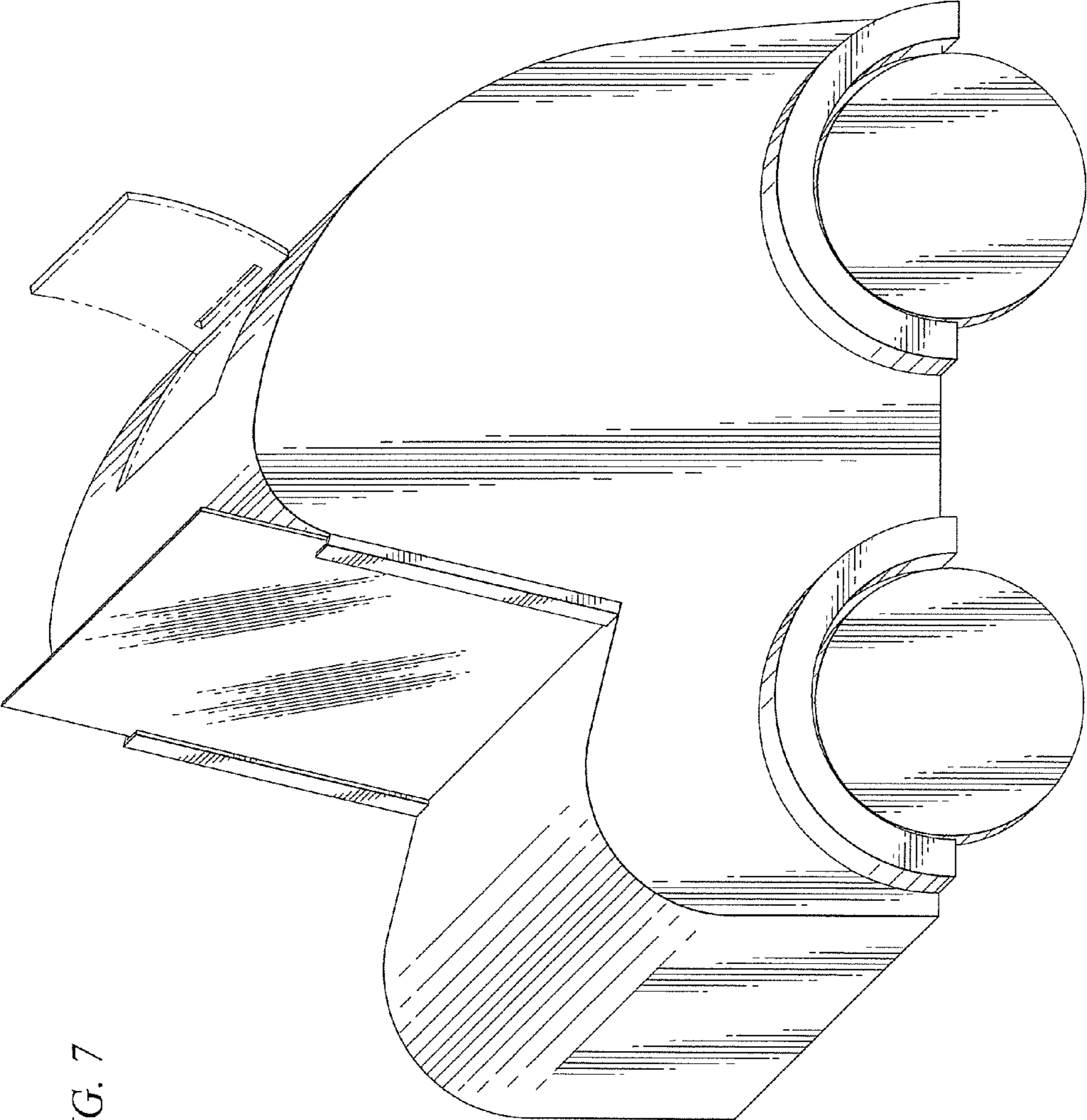


FIG. 7



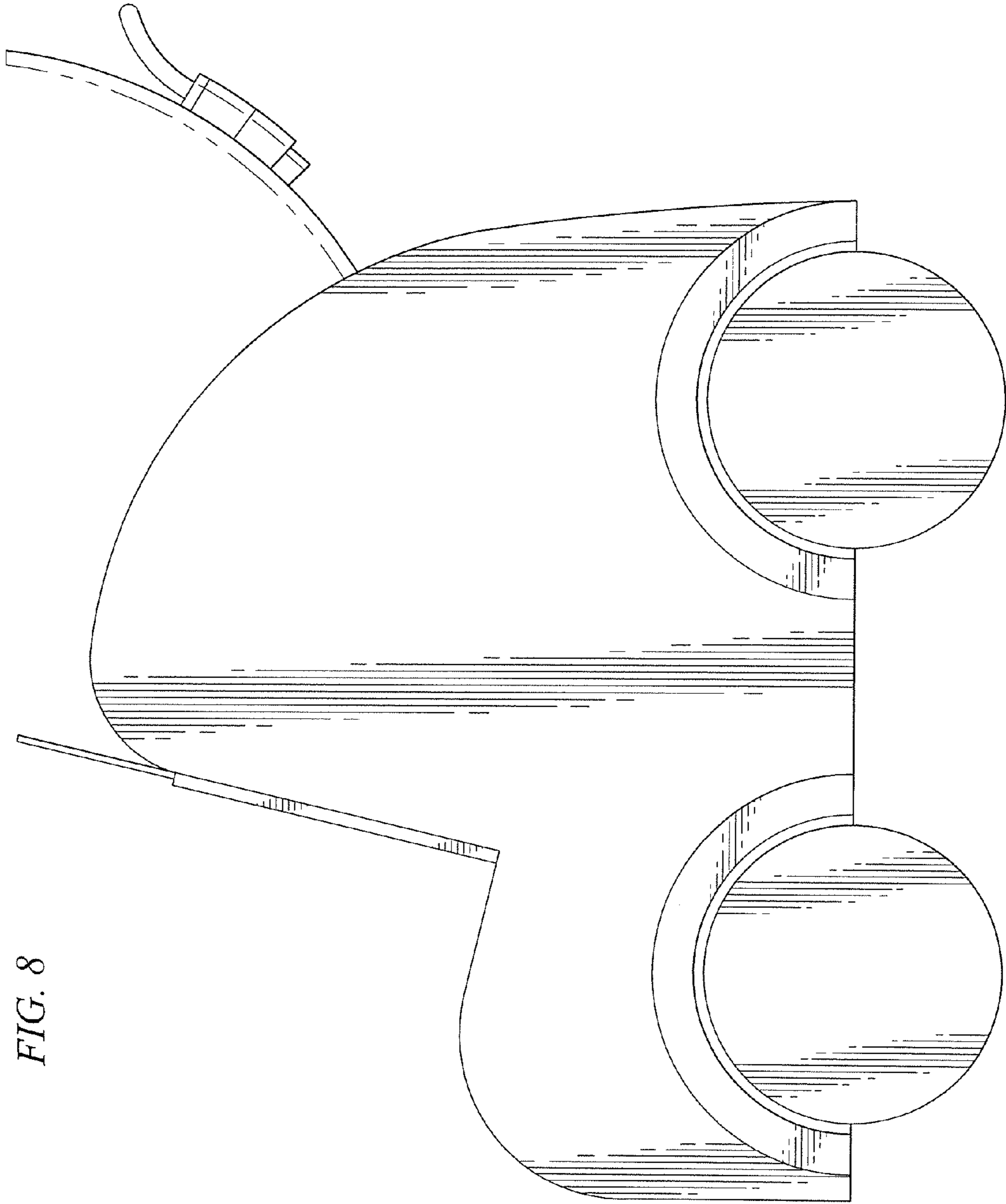


FIG. 8

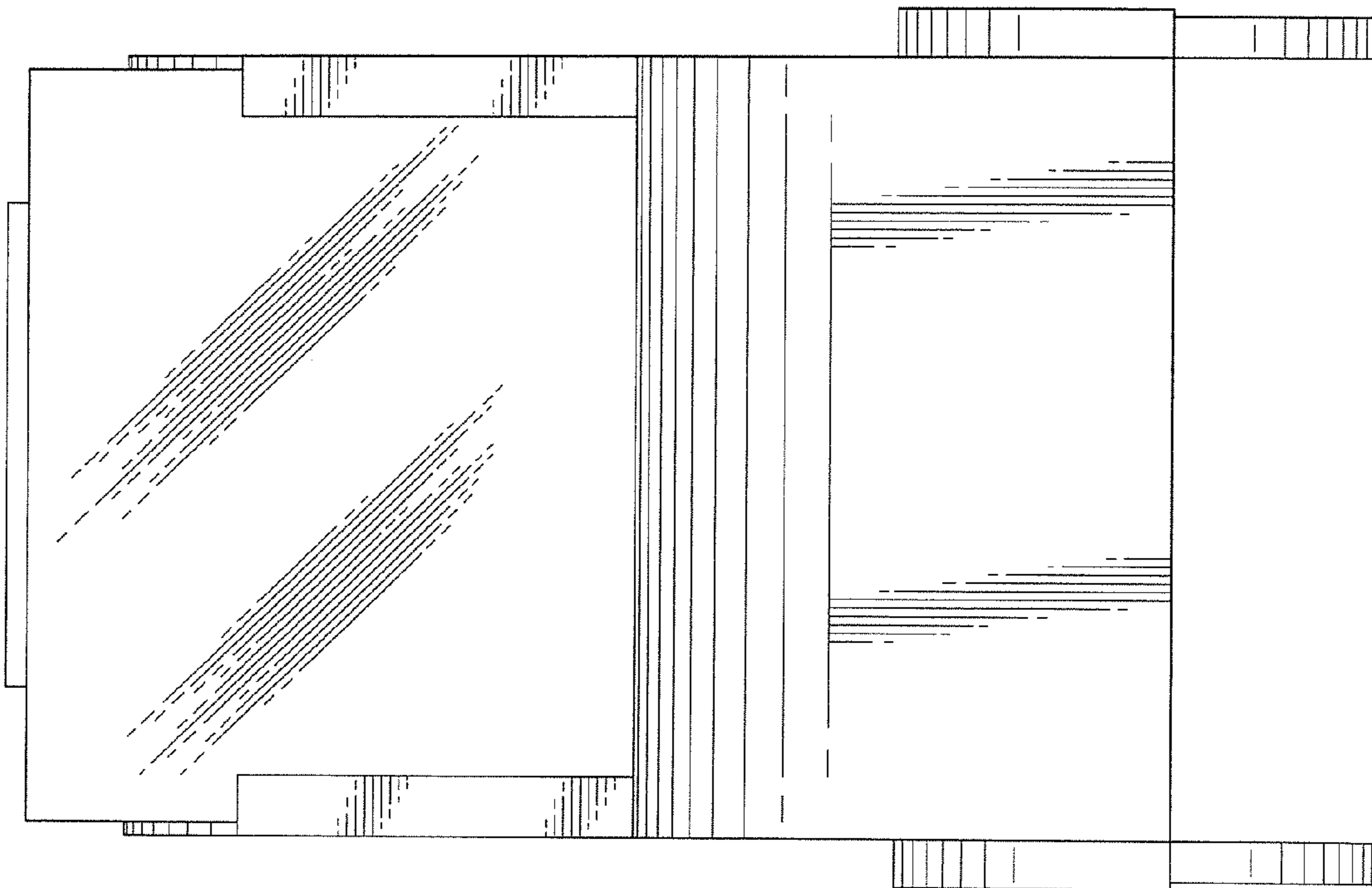


FIG. 9

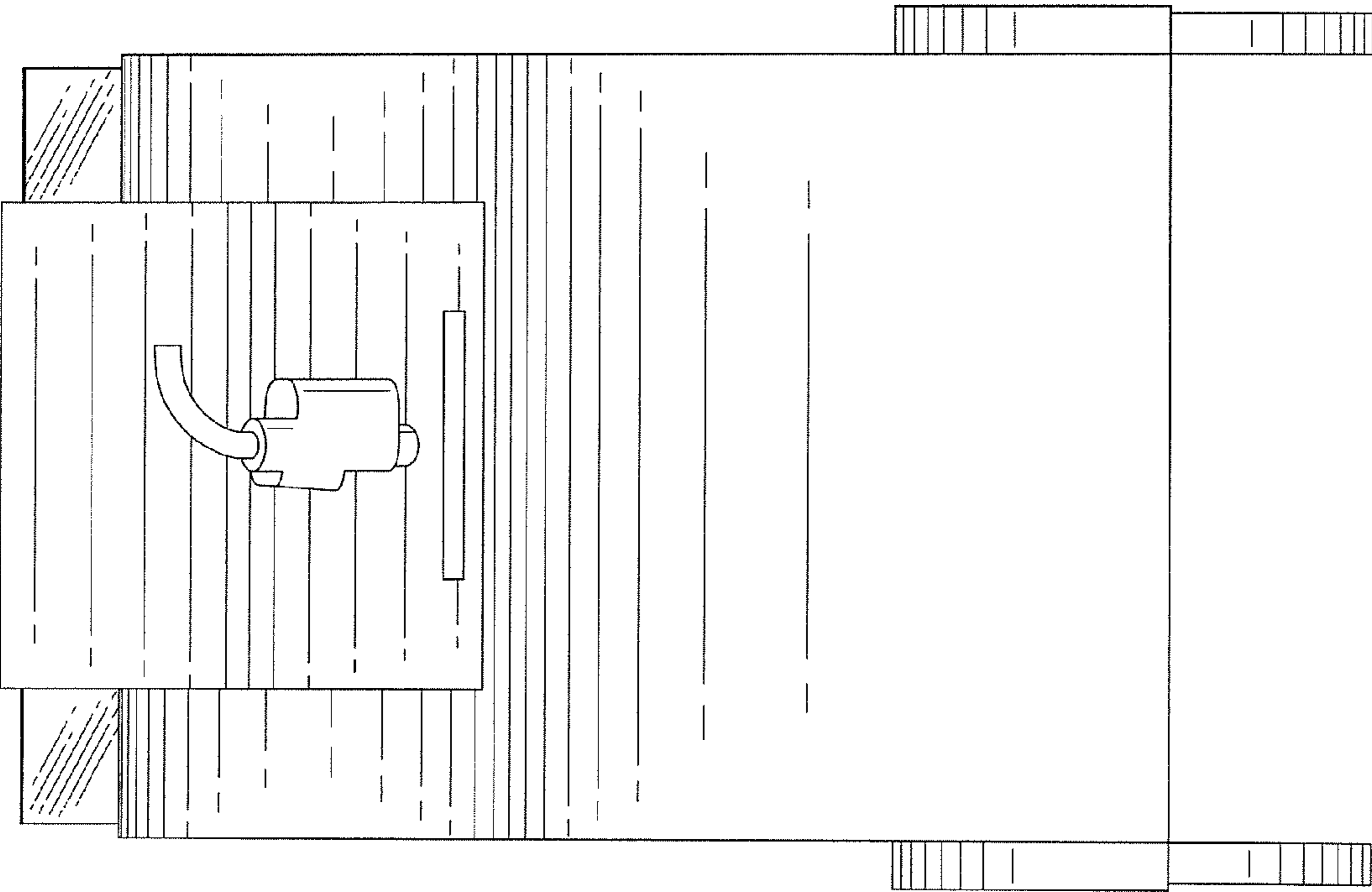


FIG. 10

FIG. 11

