

US00D692632S

(12) **United States Design Patent**
Church

(10) **Patent No.:** **US D692,632 S**

(45) **Date of Patent:** **** Oct. 29, 2013**

(54) **PAINT TRAY LINER**

(75) Inventor: **George David Church**, Kitchener (CA)

(73) Assignee: **Nour Trading House Inc.**, Waterloo,
Ontario (CA)

(**) Term: **14 Years**

(21) Appl. No.: **29/423,614**

(22) Filed: **Jun. 2, 2012**

(51) **LOC (9) Cl.** **07-07**

(52) **U.S. Cl.**
USPC **D32/54**

(58) **Field of Classification Search**
USPC D32/53-54; 15/257.05, 257.06;
220/570, 495.01, 495.02
See application file for complete search history.

(56) **References Cited**

U.S. PATENT DOCUMENTS

D208,969 S * 10/1967 Paxton D32/53.1
D264,897 S * 6/1982 Smith D32/53.1
D583,521 S * 12/2008 Arvinte et al. D32/53.1

D612,119 S * 3/2010 Bergman D32/54
D619,319 S * 7/2010 Bergman D32/54
D627,120 S * 11/2010 Davidson D32/54
D654,644 S * 2/2012 Davidson D32/54

* cited by examiner

Primary Examiner — Robin V Webster

(74) *Attorney, Agent, or Firm* — Daryl W. Schnurr

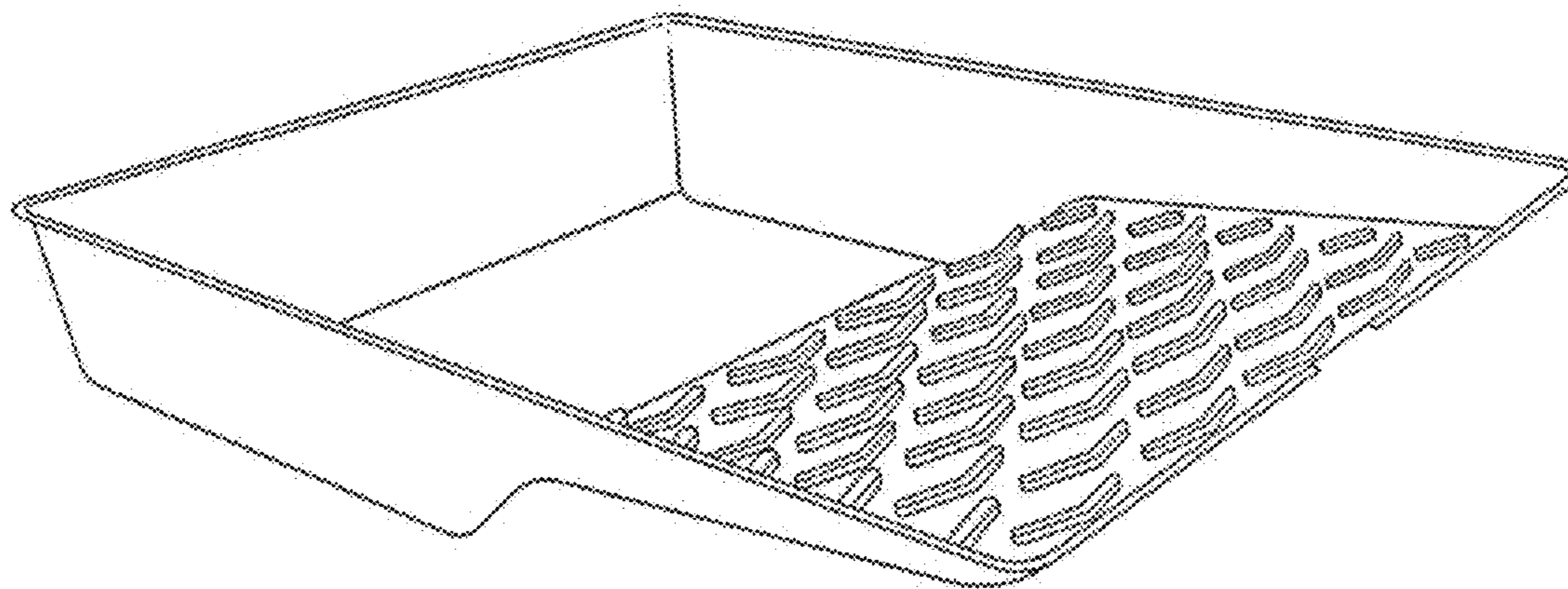
(57) **CLAIM**

The ornamental design for a paint tray liner, as shown and described.

DESCRIPTION

FIG. 1 is a top view of the liner;
FIG. 2 is a bottom view of the liner;
FIG. 3 is a side view of the liner;
FIG. 4 is a rear view of the liner;
FIG. 5 is a front view of the liner; and,
FIG. 6 is a perspective view of the liner.
The drawings show only one side of the liner. The opposing side is identical to the one side shown in FIG. 3, except that the opposing side is the mirror image thereof.

1 Claim, 6 Drawing Sheets



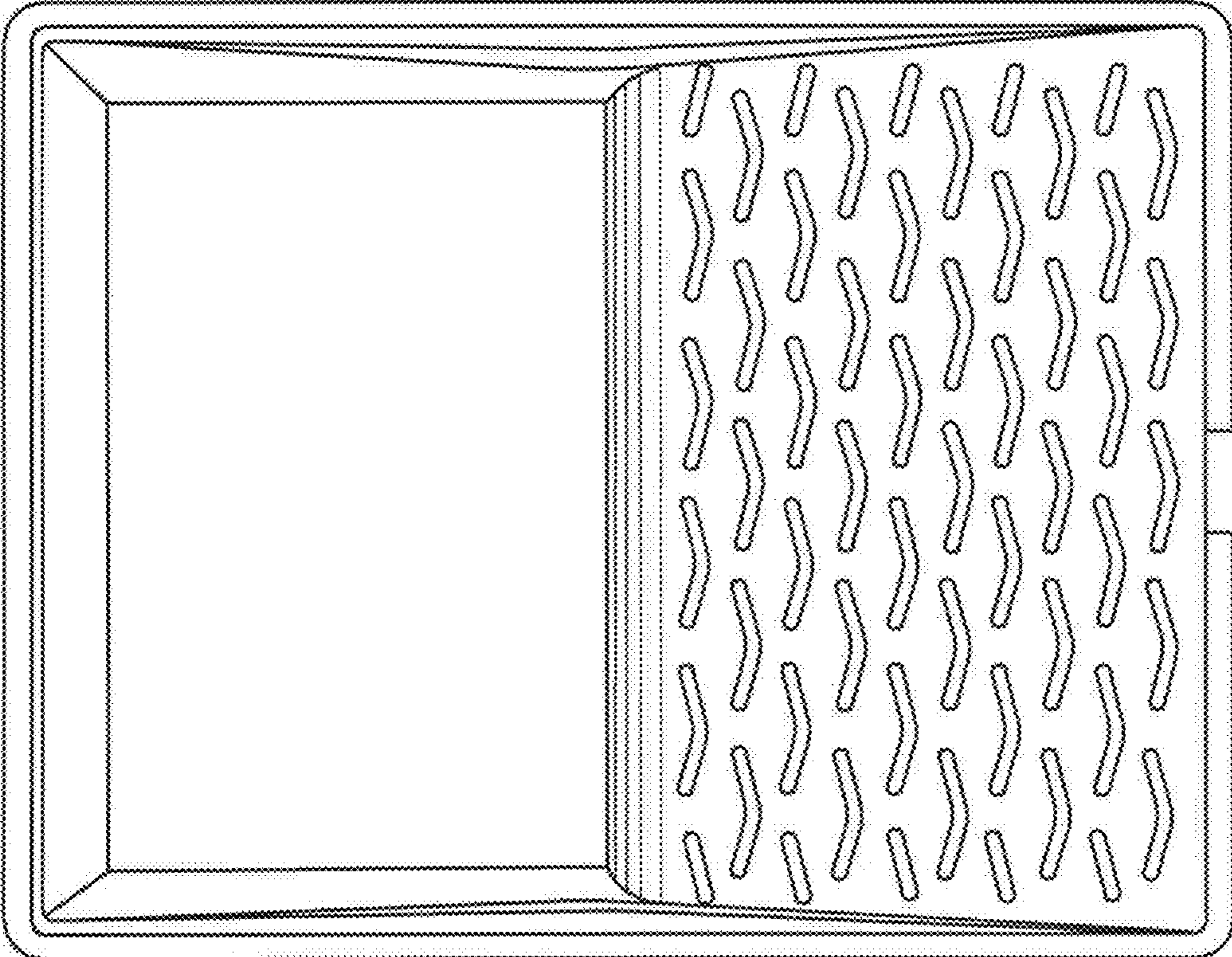


FIG. 1

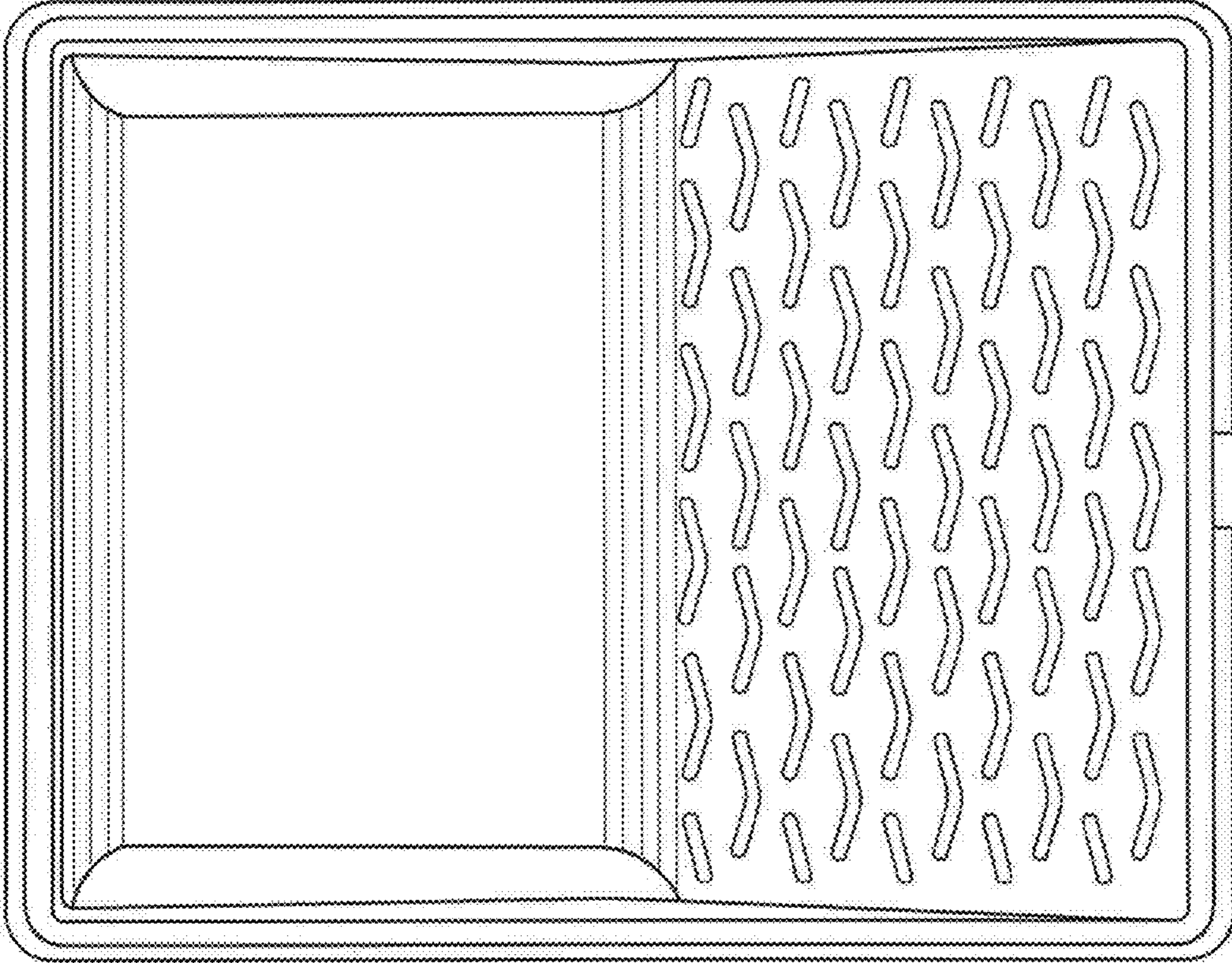


FIG.2

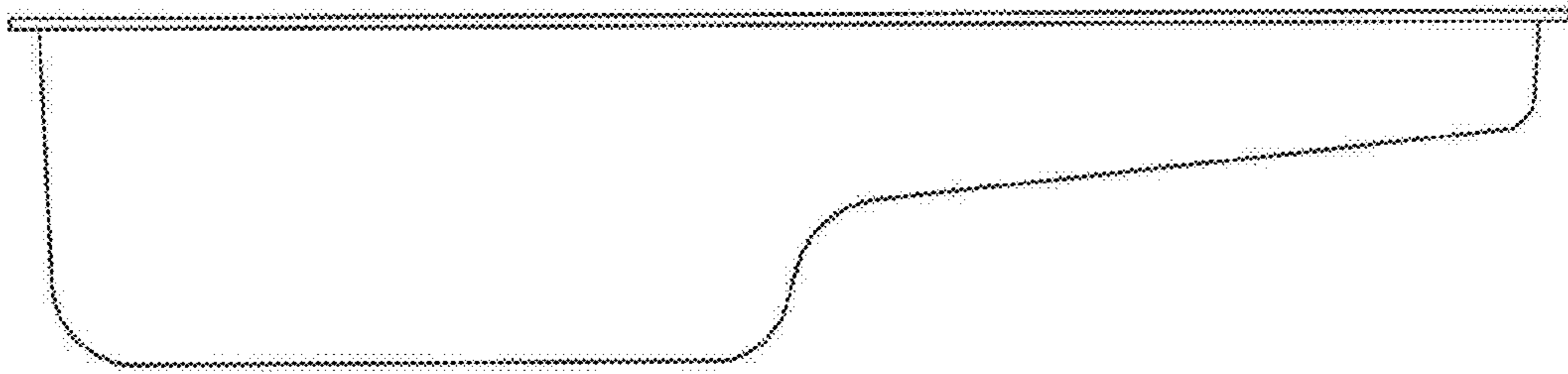


FIG. 3

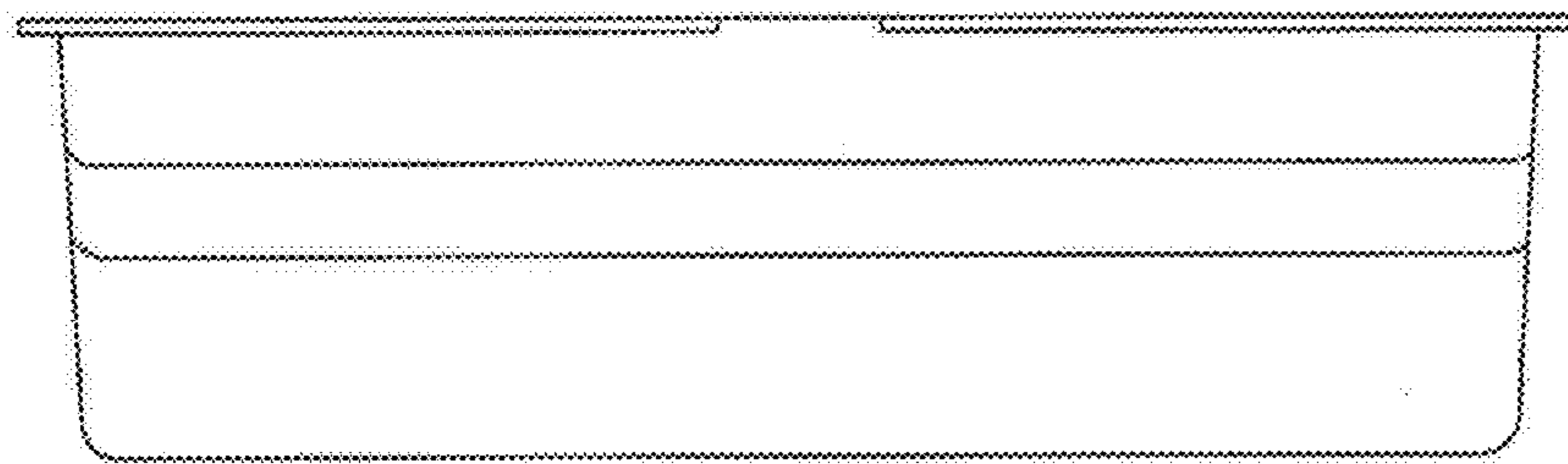


FIG. 4

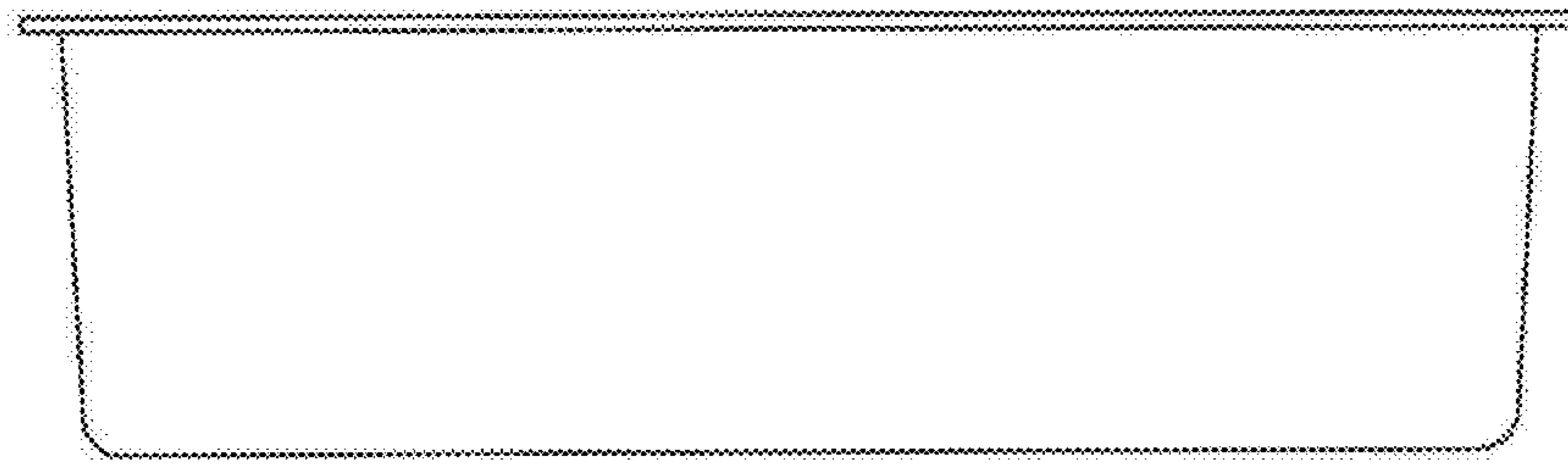


FIG. 5

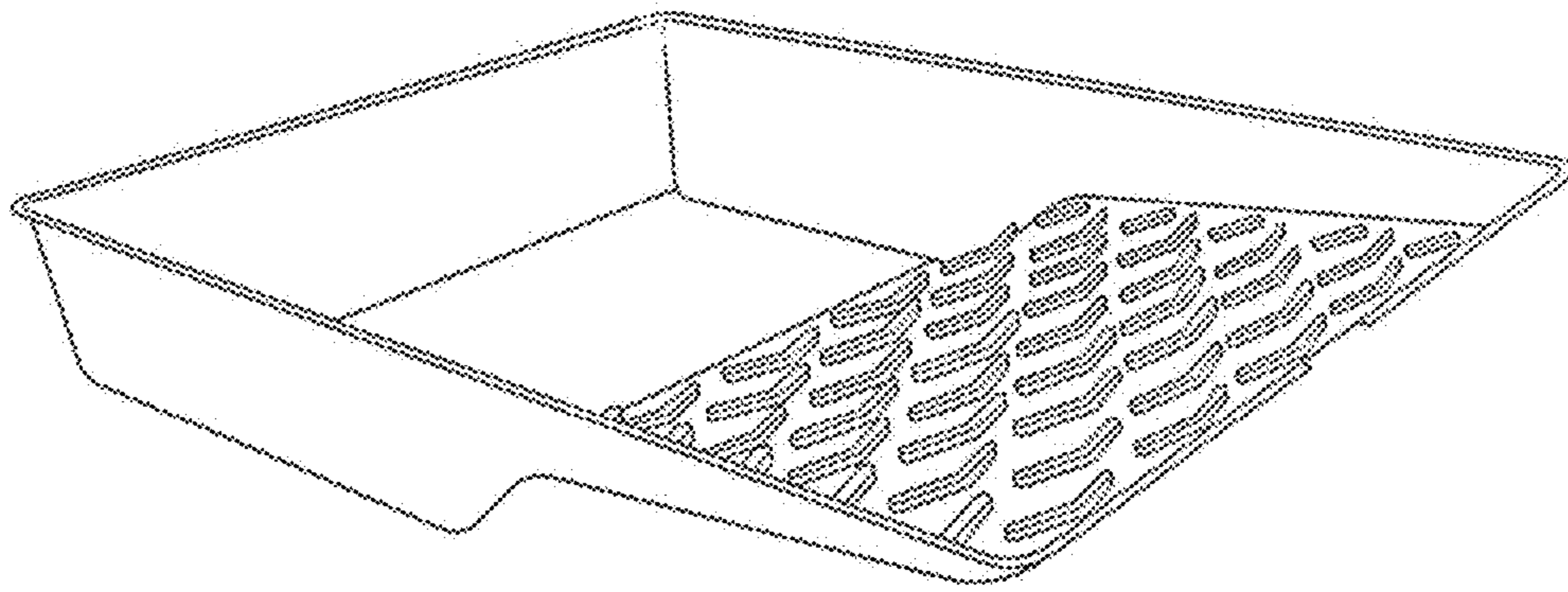


FIG. 6