



US00D692631S

(12) **United States Design Patent**
Pung et al.

(10) **Patent No.:** **US D692,631 S**

(45) **Date of Patent:** **** Oct. 29, 2013**

(54) **CLEANING SHEET**

- (71) Applicant: **The Procter & Gamble Company**,
Cincinnati, OH (US)
- (72) Inventors: **David John Pung**, Loveland, OH (US);
Mimi Grizaw Daniel, Cincinnati, OH
(US); **George Junior Angelo Patrick**,
Springdale, OH (US); **Sylvie**
Marguerite Linneman, Sliverton, OH
(US); **Karen Marie Kershner**,
Cincinnati, OH (US)
- (73) Assignee: **The Procter & Gamble Company**,
Cincinnati, OH (US)

- (**) Term: **14 Years**
- (21) Appl. No.: **29/454,743**
- (22) Filed: **May 14, 2013**

Related U.S. Application Data

- (60) Continuation of application No. 29/435,212, filed on
Oct. 22, 2012, which is a division of application No.
29/425,072, filed on Jun. 20, 2012, now Pat. No. Des.
673,746, and a division of application No. 29/424,072,
filed on Jun. 7, 2012, now Pat. No. Des. 671,971.
 - (51) **LOC (9) Cl.** **04-01**
 - (52) **U.S. Cl.**
USPC **D32/40**
 - (58) **Field of Classification Search**
USPC D32/40-46; 15/208, 209.1,
15/244.1-244.4
- See application file for complete search history.

(56) **References Cited**

U.S. PATENT DOCUMENTS

D556,967 S	12/2007	Martins et al.
D633,672 S	3/2011	McKnight
D633,673 S	3/2011	McKnight
D640,025 S	6/2011	Wildeman
D643,981 S	8/2011	Wildeman
D657,513 S	4/2012	Wildeman

OTHER PUBLICATIONS

- U.S. Appl. No. 29/425,686, filed Aug. 14, 2012, Pung, et al.
- U.S. Appl. No. 29/425,072, filed Jun. 20, 2012, Pung, et al.
- U.S. Appl. No. 29/424,663, filed Aug. 14, 2012, Shafer, et al.
- U.S. Appl. No. 29/435,212, filed Oct. 22, 2012, Pung, et al.
- U.S. Appl. No. 29/436,218, filed Nov. 2, 2012, Pung, et al.

Primary Examiner — Robin V Webster

(74) *Attorney, Agent, or Firm* — Larry L. Huston; Steven W. Miller

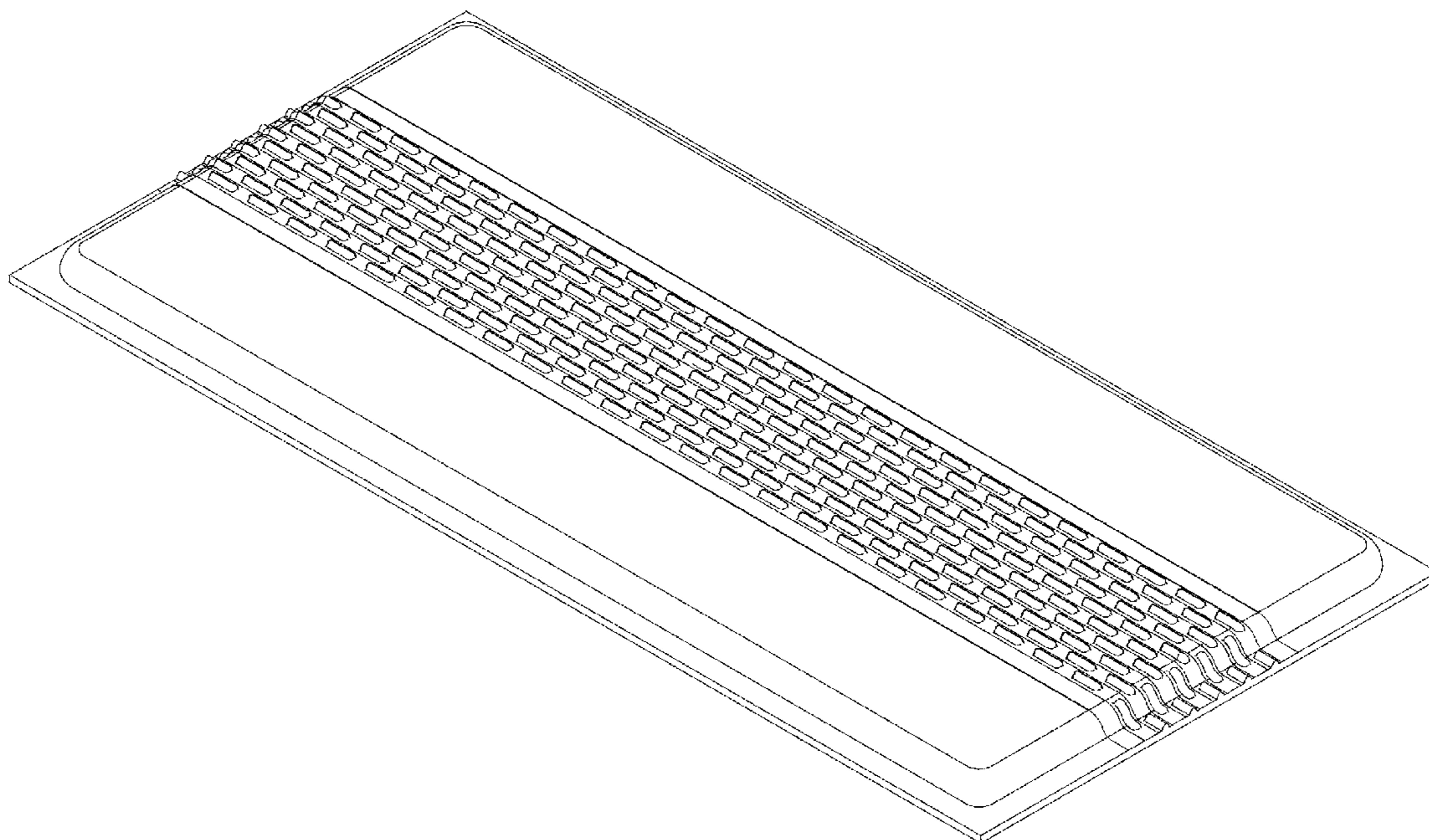
(57) **CLAIM**

The ornamental design for a cleaning sheet, as shown and described.

DESCRIPTION

FIG. 1 is a perspective view of a cleaning sheet;
FIG. 2 is a top view of the cleaning sheet;
FIG. 3 is a side view of the cleaning sheet;
FIG. 4 is a further side view of the cleaning sheet;
FIG. 5 is a front view of the cleaning sheet;
FIG. 6 is a back view of the cleaning sheet; and,
FIG. 7 is a bottom view of the cleaning sheet.

1 Claim, 4 Drawing Sheets



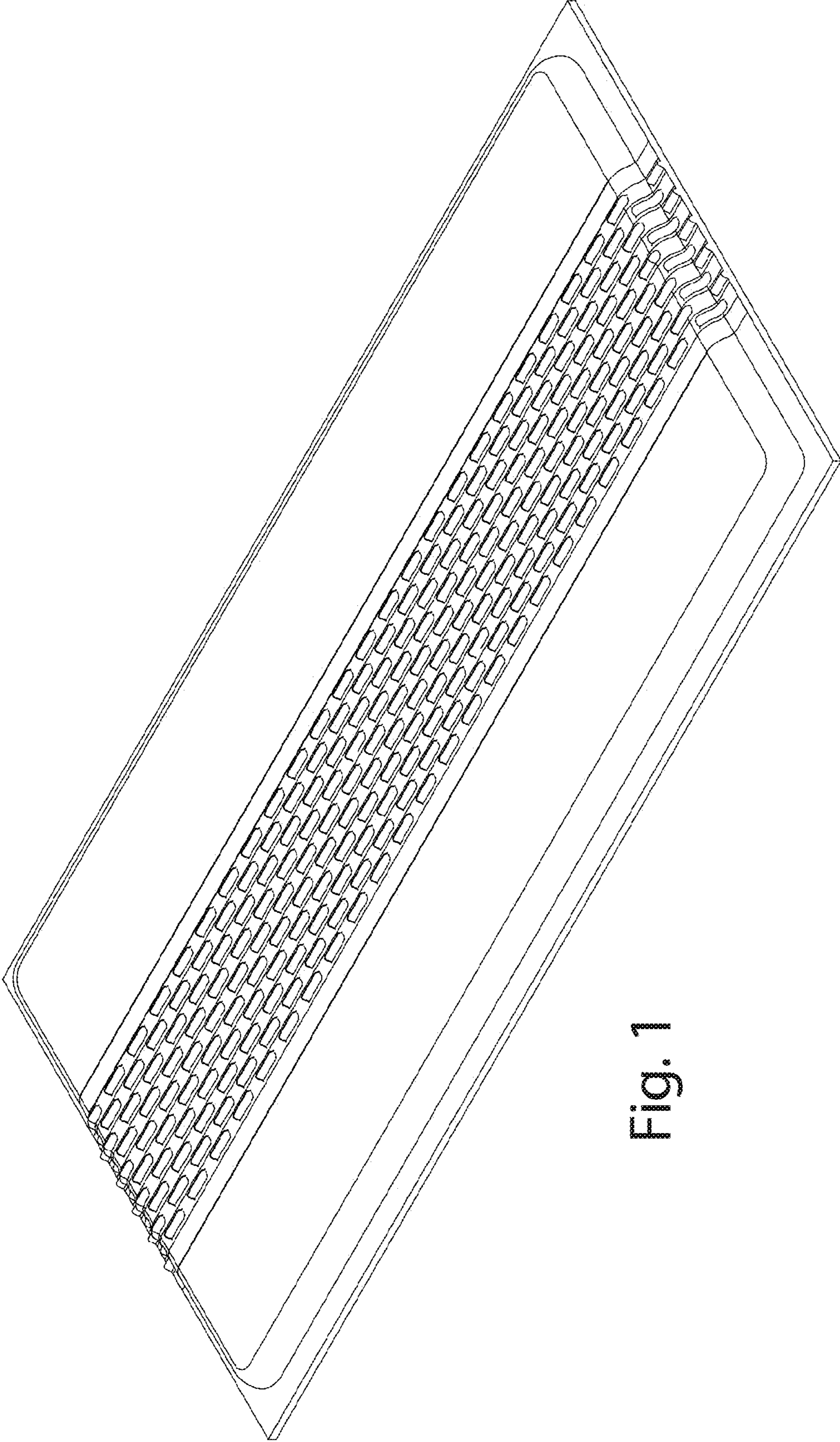


Fig. 1

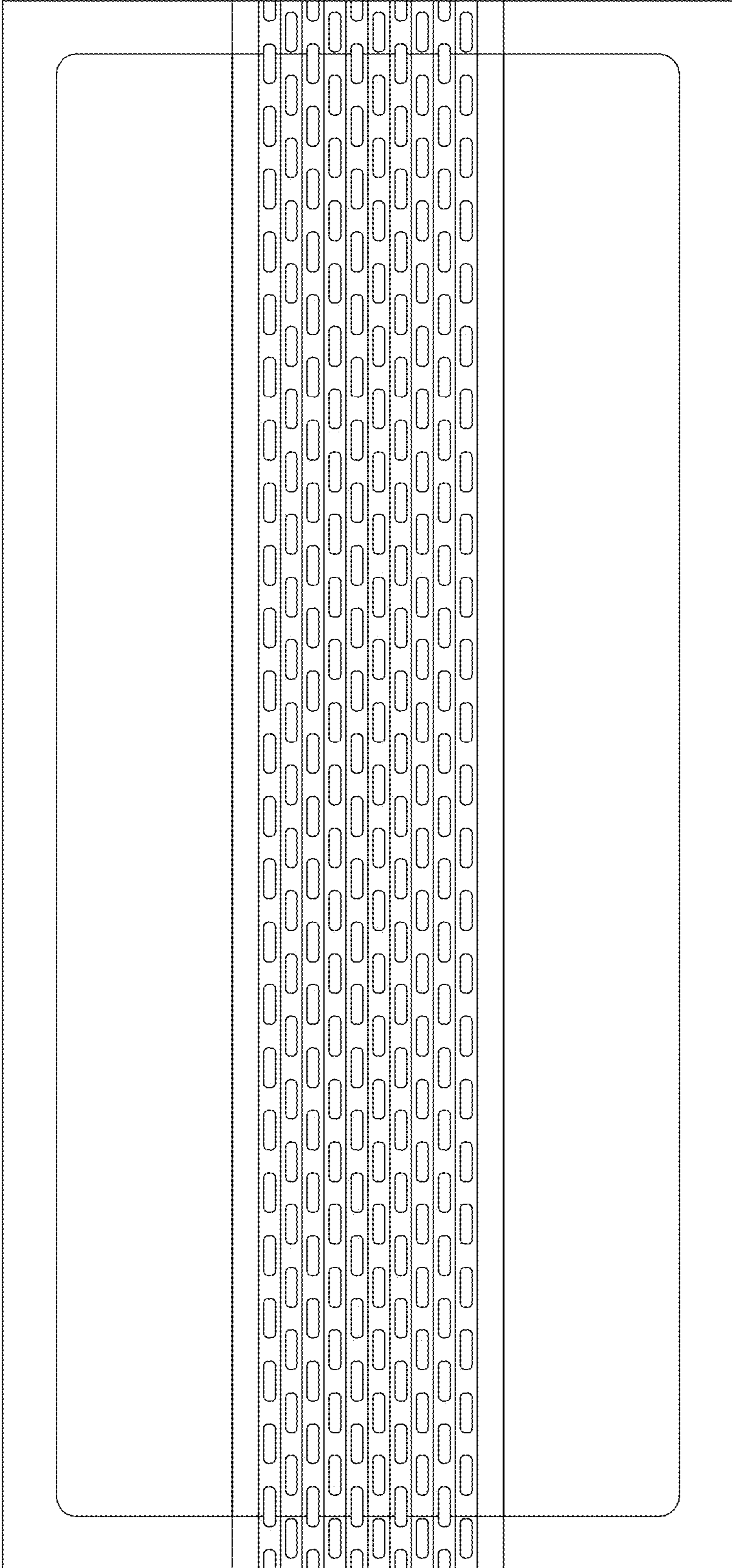


Fig. 2

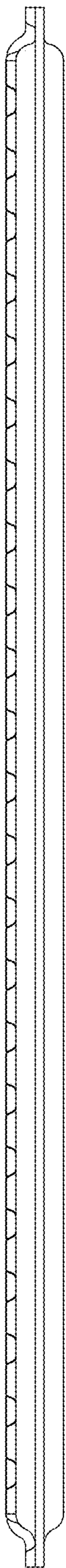


Fig. 3

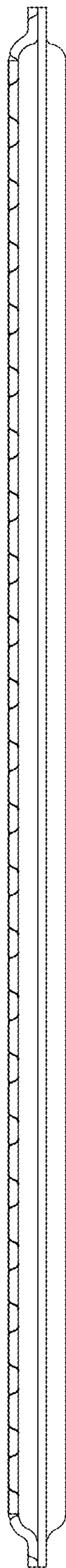


Fig. 4

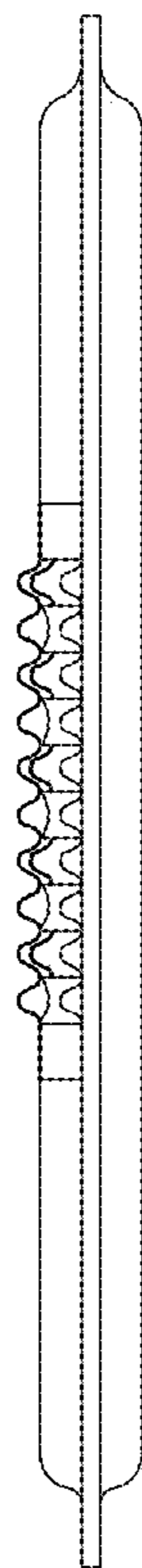


Fig. 5

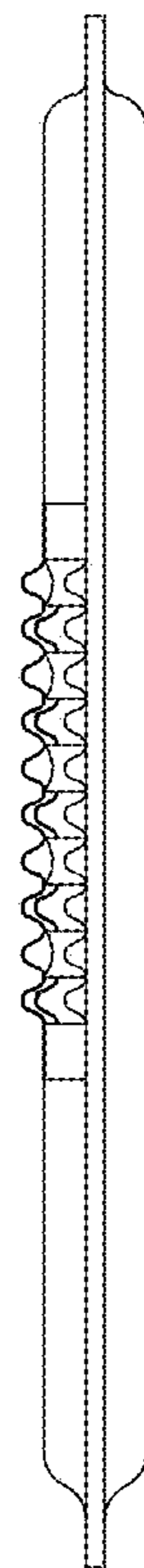


Fig. 6

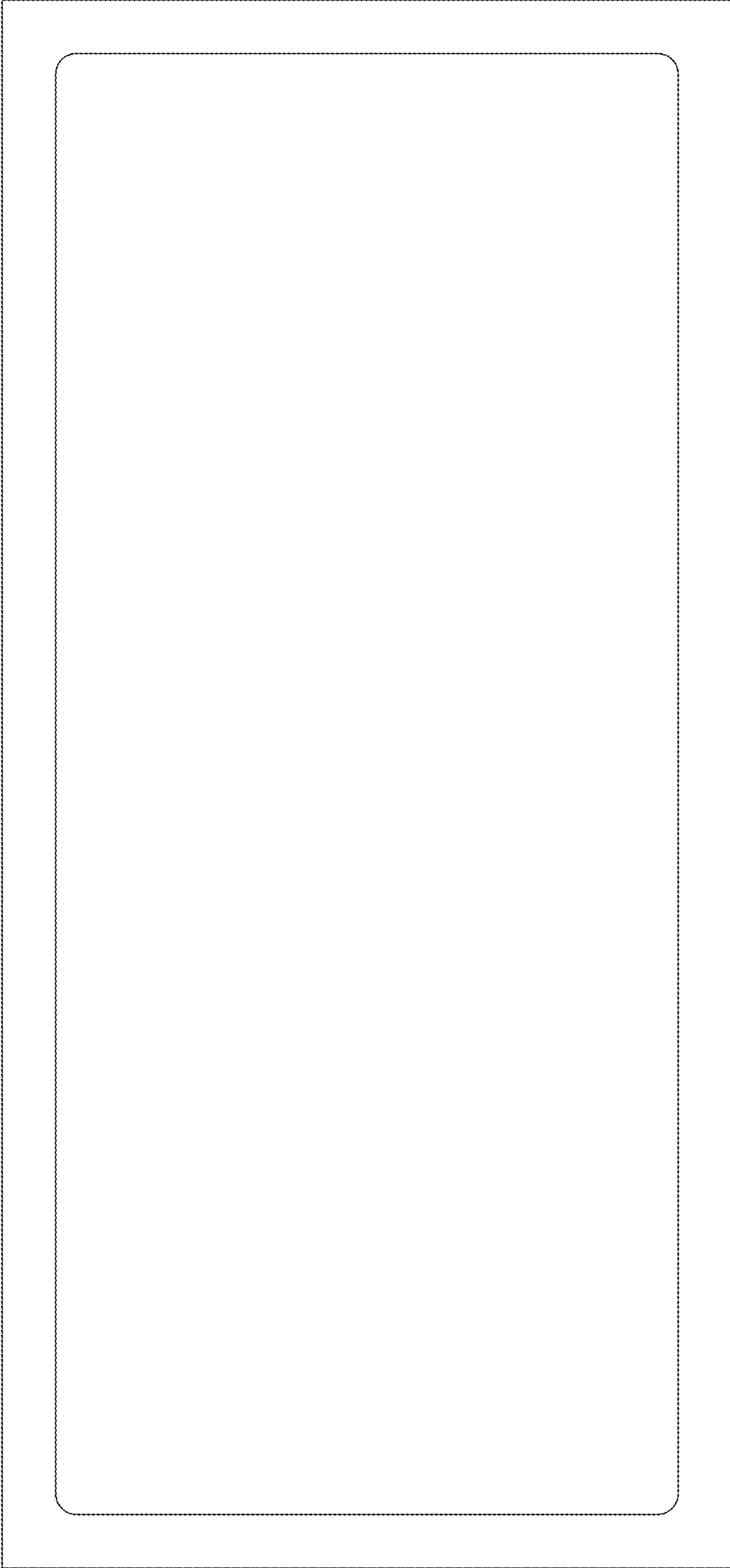


Fig. 7