



US00D692630S

(12) **United States Design Patent**
Stachowski et al.

(10) **Patent No.:** **US D692,630 S**
(45) **Date of Patent:** **** Oct. 29, 2013**

(54) **LENS CLEANER**

(75) Inventors: **Breanna Stachowski**, Elma, NY (US);
Matthew R. Schoen, East Williston, NY
(US); **Michelle L. Hyers**, Greenlawn,
NY (US); **Matthew Dierkes**, Mount
Sinai, NY (US); **Richard G. Cameron**,
Oyster Bay, NY (US)

(73) Assignee: **Carson Optical, Inc.**, Hauppauge, NY
(US)

(**) Term: **14 Years**

(21) Appl. No.: **29/407,569**

(22) Filed: **Nov. 30, 2011**

(51) **LOC (9) Cl.** **08-99**

(52) **U.S. Cl.**
USPC **D32/35**

(58) **Field of Classification Search**
USPC D32/35, 40, 41, 42, 45, 52; D19/41-51,
D19/57, 66, 71; D8/83, 94, 107, 300;
D9/529, 725, 726; D4/119, 122, 137,
D4/138, 199; 15/104.002, 209.1, 105,
15/230.11, 250.001, 250.003, 214; 401/9,
401/195, 196, 202, 99, 123, 124; 206/229;
134/6; 510/175

See application file for complete search history.

(56) **References Cited**

U.S. PATENT DOCUMENTS

| | | | | | | |
|-----------|---|---|---------|---------------|-------|---------|
| 1,261,502 | A | * | 4/1918 | Farrow | | 401/99 |
| D111,908 | S | * | 10/1938 | Lermer | | D19/71 |
| 4,818,134 | A | * | 4/1989 | Tsai | | 401/195 |
| 4,842,132 | A | * | 6/1989 | Wells | | 206/229 |
| 4,927,284 | A | * | 5/1990 | Tsai | | 401/195 |
| 5,163,767 | A | * | 11/1992 | Lucas | | 401/202 |
| D331,940 | S | * | 12/1992 | Shirai et al. | | D19/51 |
| D337,939 | S | * | 8/1993 | Smith, Jr. | | D9/726 |

| | | | | | | |
|--------------|----|---|---------|-------------------|-------|----------|
| D362,092 | S | * | 9/1995 | Wasak | | D32/40 |
| D406,054 | S | * | 2/1999 | Wagner | | D9/725 |
| D411,237 | S | * | 6/1999 | Izushima | | D19/66 |
| 5,993,560 | A | * | 11/1999 | Wasak et al. | | 134/6 |
| D420,807 | S | | 2/2000 | Otteman et al. | | |
| D496,398 | S | * | 9/2004 | Greenberg | | D19/43 |
| 6,964,941 | B2 | * | 11/2005 | Argentieri et al. | | 510/175 |
| D550,413 | S | * | 9/2007 | Cheng | | D32/35 |
| D558,070 | S | * | 12/2007 | Bober et al. | | D10/46.2 |
| D566,360 | S | * | 4/2008 | Ungaro | | D32/35 |
| 2007/0009315 | A1 | * | 1/2007 | Wu | | 401/123 |

OTHER PUBLICATIONS

www.lenspen.com/products.

* cited by examiner

Primary Examiner — Caron D Veynar

Assistant Examiner — Martie K Holtje

(74) *Attorney, Agent, or Firm* — Carmody & Torrance LLP

(57) **CLAIM**

The ornamental design for a lens cleaner, as shown and described.

DESCRIPTION

FIG. 1 is a front perspective view of a lens cleaner showing our new design;

FIG. 2 is a front elevational view thereof;

FIG. 3 is a rear elevational view thereof;

FIG. 4 is a left side elevational view thereof;

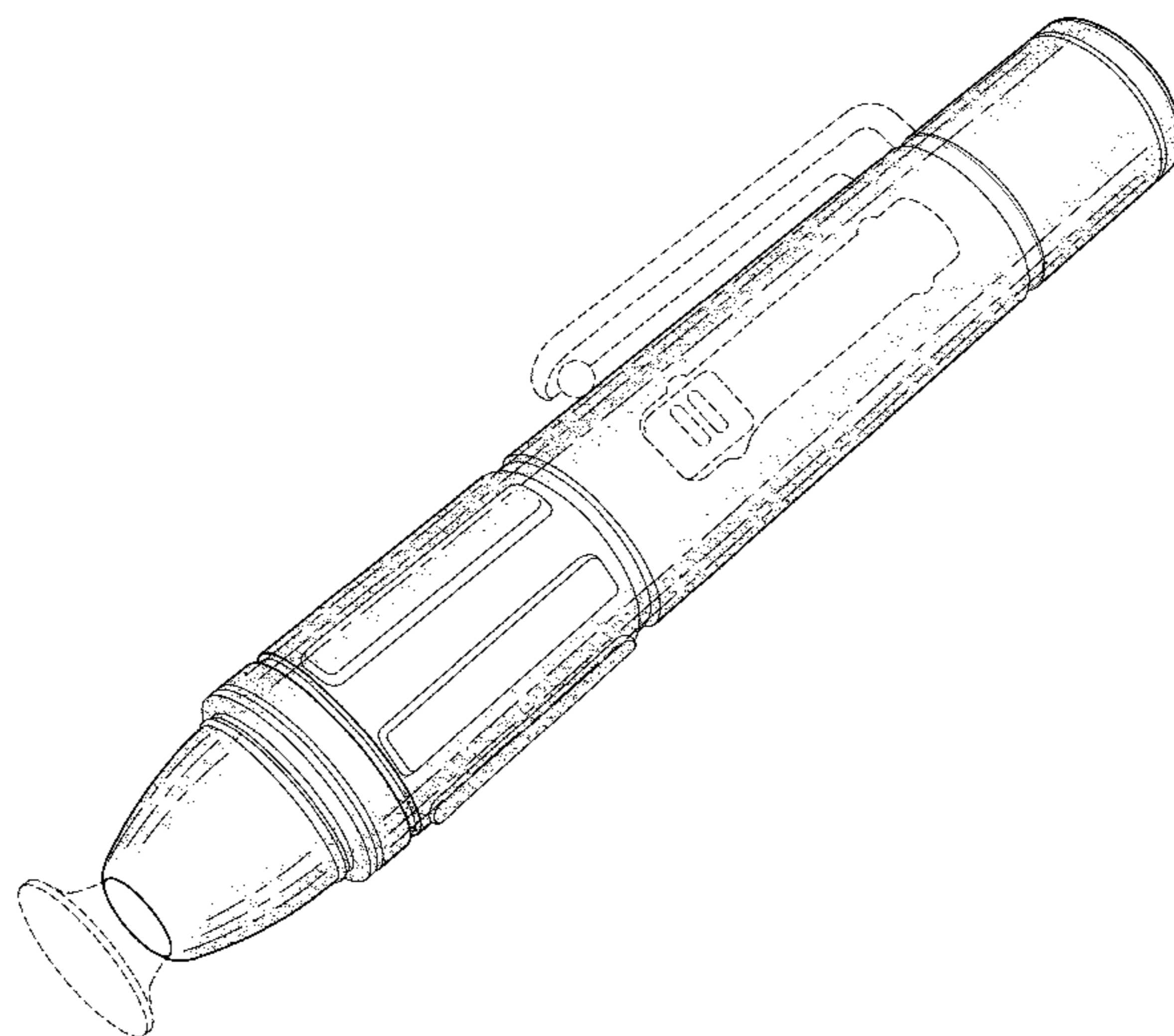
FIG. 5 is a right side elevational view thereof;

FIG. 6 is a bottom plan view thereof; and,

FIG. 7 is a top plan view thereof.

The dotted lines throughout all the figures are intended to show features that are environmental only and form no part of the claimed design. In addition, there are broken lines in FIGS. 1, 2, and 3 that define bounds of the claimed design in which the area therein form no part thereof.

1 Claim, 4 Drawing Sheets



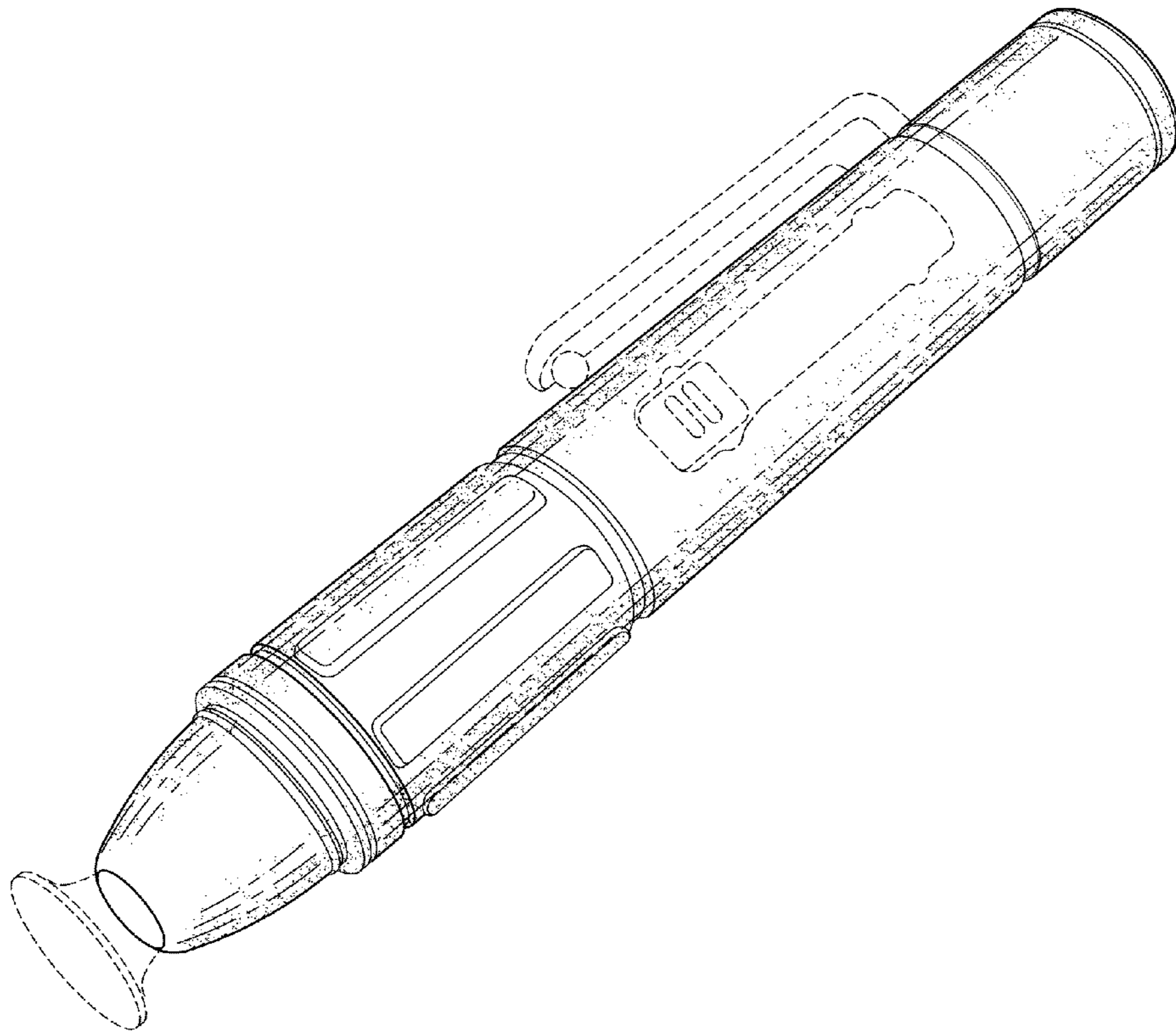


FIG. 1

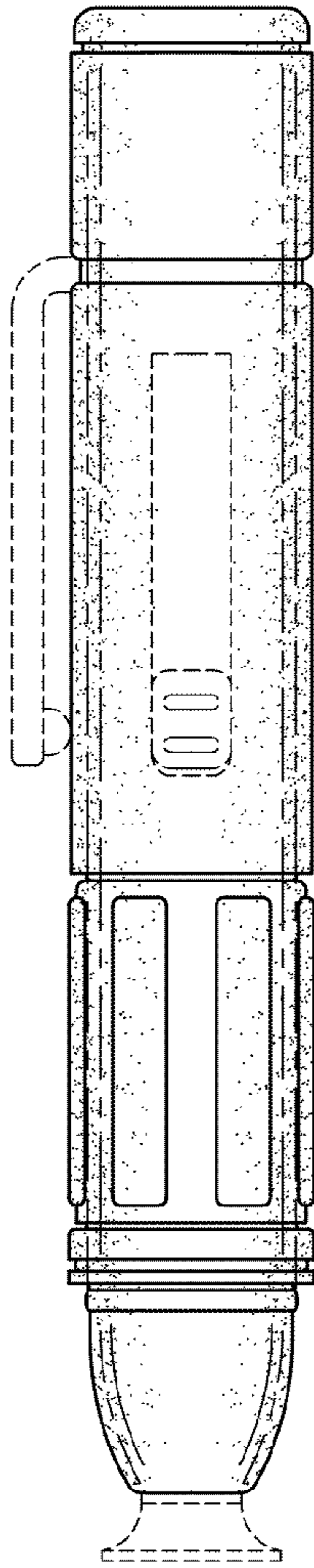


FIG. 2

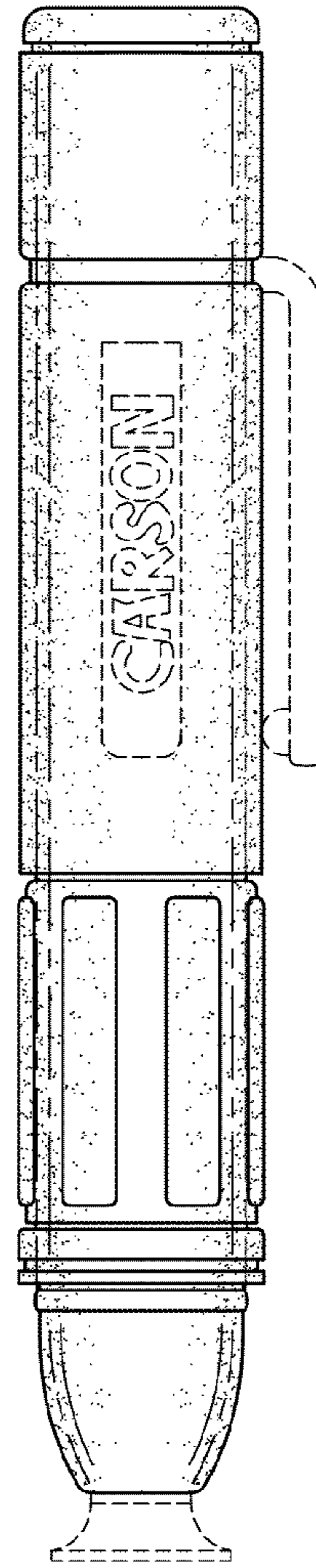


FIG. 3

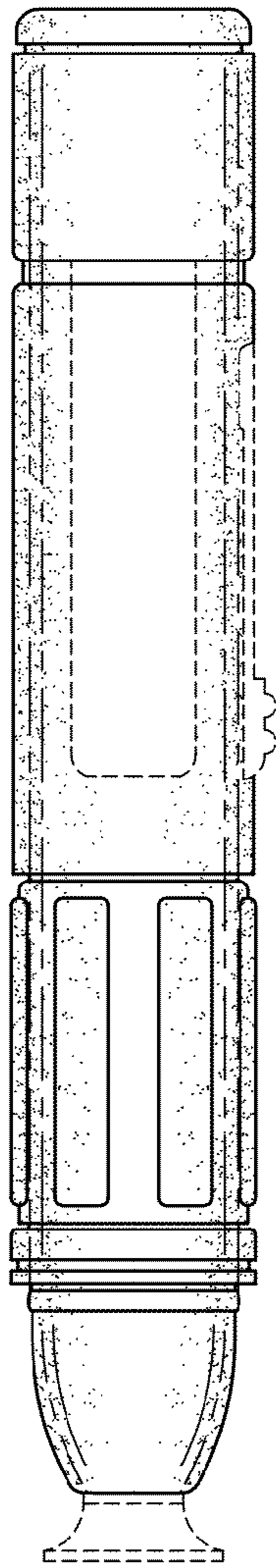


FIG. 4

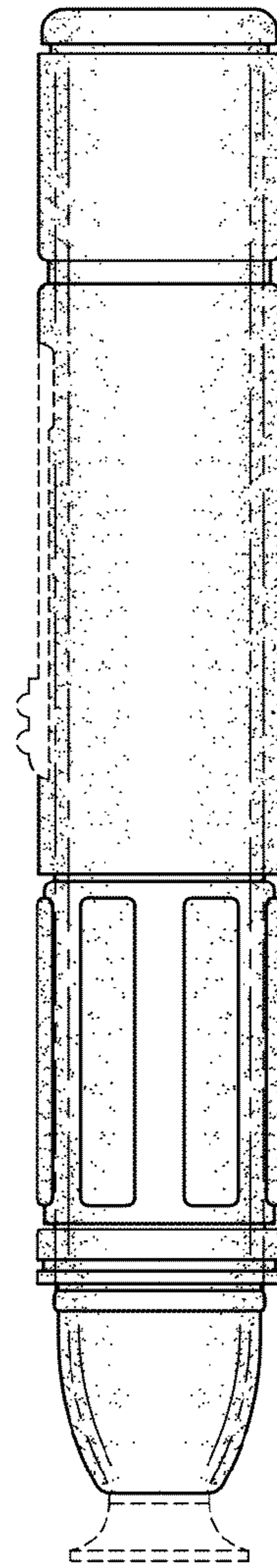


FIG. 5

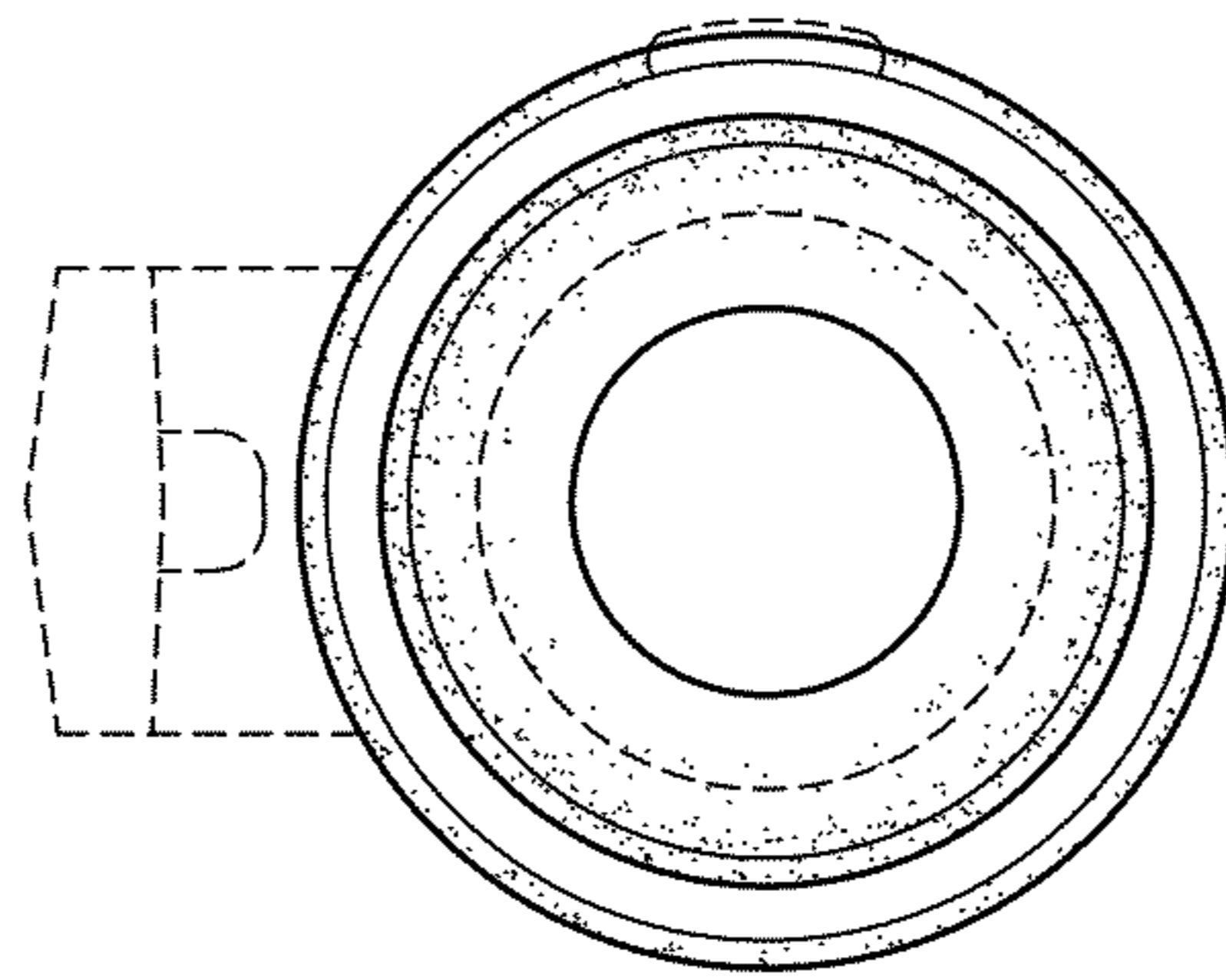


FIG. 6

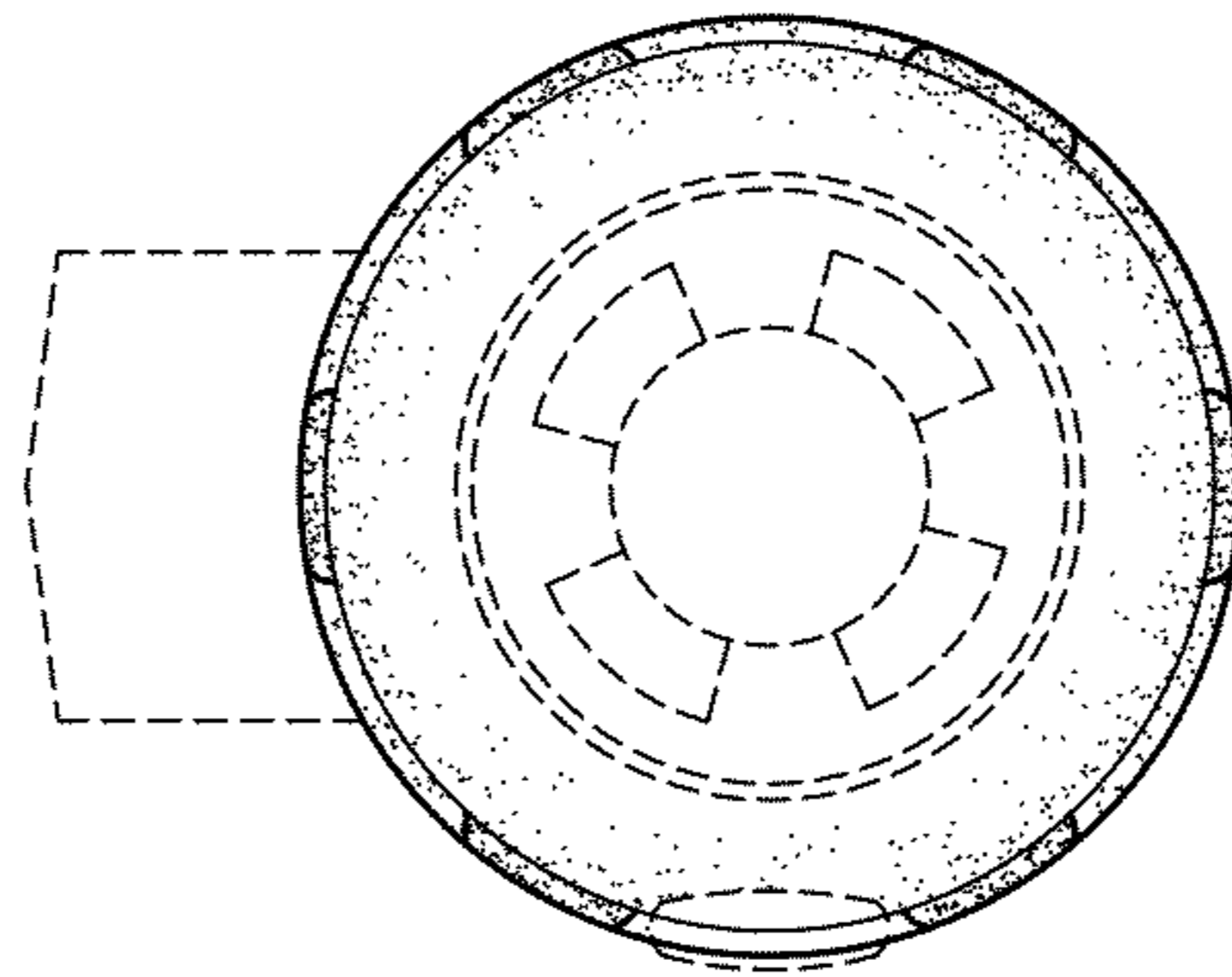


FIG. 7