

US00D692625S

(12) **United States Design Patent**
Kok-Duson

(10) **Patent No.:** **US D692,625 S**

(45) **Date of Patent:** **** Oct. 29, 2013**

- (54) **MEDICAL PET SLEEVE**
- (75) Inventor: **Nicole Kok-Duson, Zoetermeer (NL)**
- (73) Assignee: **Medical Pet Shirts Europe B.V., Zoetermeer (NL)**
- (**) Term: **14 Years**
- (21) Appl. No.: **29/432,089**
- (22) Filed: **Sep. 13, 2012**
- (51) **LOC (9) Cl.** **30-01**
- (52) **U.S. Cl.**
USPC **D30/145**
- (58) **Field of Classification Search**
USPC D30/152, 144, 151, 153, 154, 145;
119/702, 712, 792-798, 758, 760, 769,
119/770, 784, 815, 818, 856, 863, 864, 905,
119/907, 802, 857, 865, 725, 771;
D21/804; D3/217, 327, 271.2;
D29/101.1, 101.5, 101.3; D24/190;
D34/28; 54/71

See application file for complete search history.

(56) **References Cited**

U.S. PATENT DOCUMENTS

601,974	A *	4/1898	Meissner	54/82
1,437,255	A *	11/1922	Mallinson	54/79.2
D137,597	S *	4/1944	Guernsey	D30/145
D177,490	S *	4/1956	Bacon	D30/145
3,747,565	A *	7/1973	Kellam	54/82
D228,926	S *	10/1973	Bennett	D30/145
3,791,383	A *	2/1974	Friedman	128/888
3,792,687	A *	2/1974	Ehrman	119/868
4,290,386	A *	9/1981	Eiriksson	119/868
4,744,333	A *	5/1988	Taylor	119/850
D312,151	S *	11/1990	Dickey	D30/145
5,033,124	A *	7/1991	Bucalo et al.	2/227
5,076,043	A *	12/1991	Butler	119/850
D334,252	S *	3/1993	Stubbs	D30/144
5,341,765	A *	8/1994	McComb	119/850

D363,572	S *	10/1995	Obenchain	D30/145
D375,586	S *	11/1996	Caditz	D30/146
D376,448	S *	12/1996	Caditz	D30/146
5,676,095	A *	10/1997	Ralls	119/850
6,138,611	A *	10/2000	Thielemann	119/850
6,142,105	A *	11/2000	McKnight	119/850
6,223,696	B1 *	5/2001	Murakami	119/850
6,240,882	B1 *	6/2001	Gross	119/850
D453,594	S *	2/2002	Ishihara	D30/152
D455,873	S *	4/2002	Constans	D30/145
6,481,383	B1 *	11/2002	Ross et al.	119/850
D526,452	S *	8/2006	Crain	D30/145
7,150,248	B2 *	12/2006	Hodl	119/818
7,370,608	B1 *	5/2008	Friedman	119/850

(Continued)

Primary Examiner — Susan Moon Lee

(74) *Attorney, Agent, or Firm* — Porzio, Bromberg & Newman, P.C.

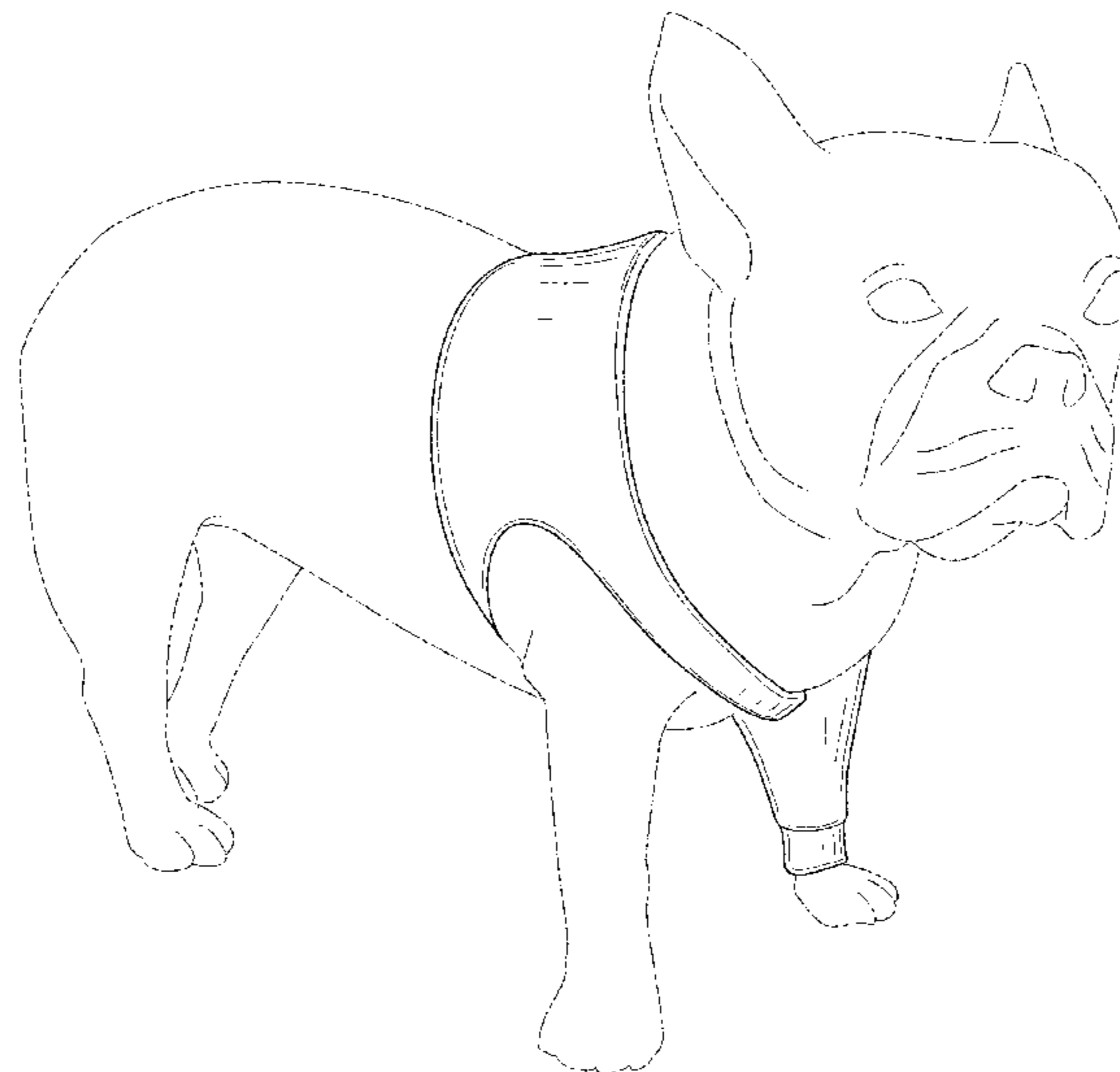
(57) **CLAIM**

The ornamental design for a medical pet sleeve, as shown and described.

DESCRIPTION

FIG. 1 is a left and front perspective view of a medical pet sleeve, showing my new design;
 FIG. 2 is a right side view thereof;
 FIG. 3 is a perspective view thereof;
 FIG. 4 is a front elevational view thereof;
 FIG. 5 is a rear elevational view thereof;
 FIG. 6 is a right side elevational view thereof;
 FIG. 7 is a left side elevational view thereof;
 FIG. 8 is a top view thereof;
 FIG. 9 is a bottom view thereof;
 FIG. 10 is a top plan view of the sleeve in an open position;
 and,
 FIG. 11 a bottom plan view of the sleeve in an open position.
 Broken lines and portions contained within broken lines are not claimed.

1 Claim, 9 Drawing Sheets



(56)

References Cited

U.S. PATENT DOCUMENTS

D584,862	S *	1/2009	Kemper	D30/145	2004/0045512	A1 *	3/2004	Goudal	119/850
D586,509	S *	2/2009	Kok-Duson	D30/145	2005/0284416	A1 *	12/2005	Smit et al.	119/850
7,665,425	B2 *	2/2010	Gross	119/850	2006/0180098	A1 *	8/2006	Yung et al.	119/850
D615,711	S *	5/2010	Van Sice	D30/145	2007/0012263	A1 *	1/2007	Hammonds	119/850
7,793,619	B2 *	9/2010	Kajanoff	119/850	2007/0204808	A1 *	9/2007	Harada	119/850
7,802,542	B1 *	9/2010	Zimmerman	119/850	2008/0022945	A1 *	1/2008	Hughes et al.	119/850
D633,257	S *	2/2011	Trias	D30/145	2008/0077214	A1 *	3/2008	Stalick	607/112
7,918,192	B1 *	4/2011	Digh et al.	119/850	2008/0121192	A1 *	5/2008	Moy	119/850
D652,580	S *	1/2012	Leonard	D30/145	2008/0173258	A1 *	7/2008	Franco	119/850
D664,720	S *	7/2012	Leonard	D30/145	2009/0308330	A1 *	12/2009	Kajanoff	119/850
8,316,626	B2 *	11/2012	Sherer	54/79.2	2010/0031898	A1 *	2/2010	Page	119/850
D673,738	S *	1/2013	Lanzendorf	D30/145	2010/0043724	A1 *	2/2010	Sherer	119/850
D678,629	S *	3/2013	Powell	D30/145	2011/0017151	A1 *	1/2011	Simoni	119/850
8,393,303	B1 *	3/2013	Kryszak	119/850	2011/0155077	A1 *	6/2011	Hurwitz	119/850
8,424,495	B2 *	4/2013	Rivera-Brutto	119/850	2012/0210951	A1 *	8/2012	Leonard	119/850
						2012/0247399	A1 *	10/2012	Rivera-Brutto	119/850
						2013/0008393	A1 *	1/2013	Backman et al.	119/850

* cited by examiner

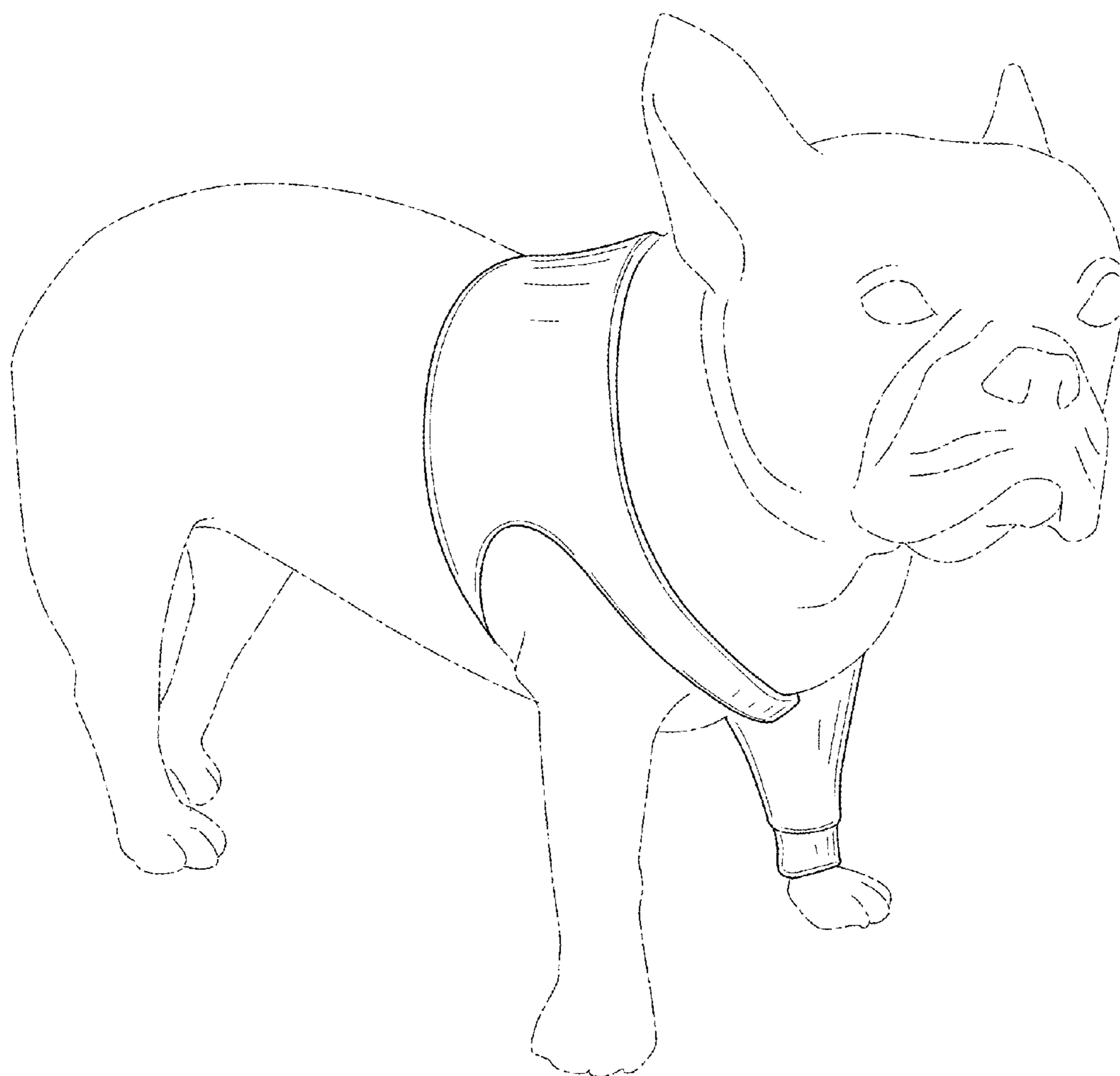


FIG. 1

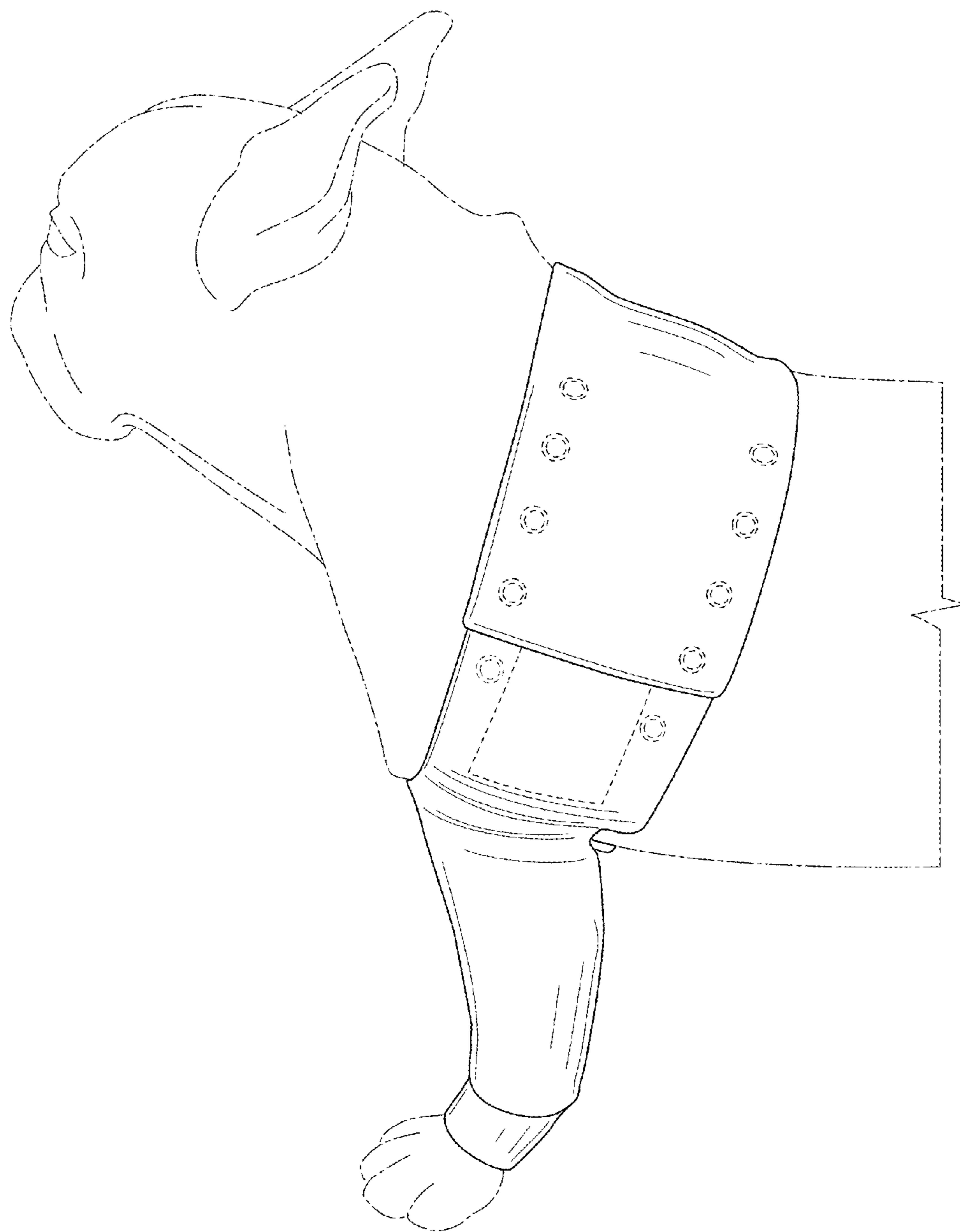


FIG. 2

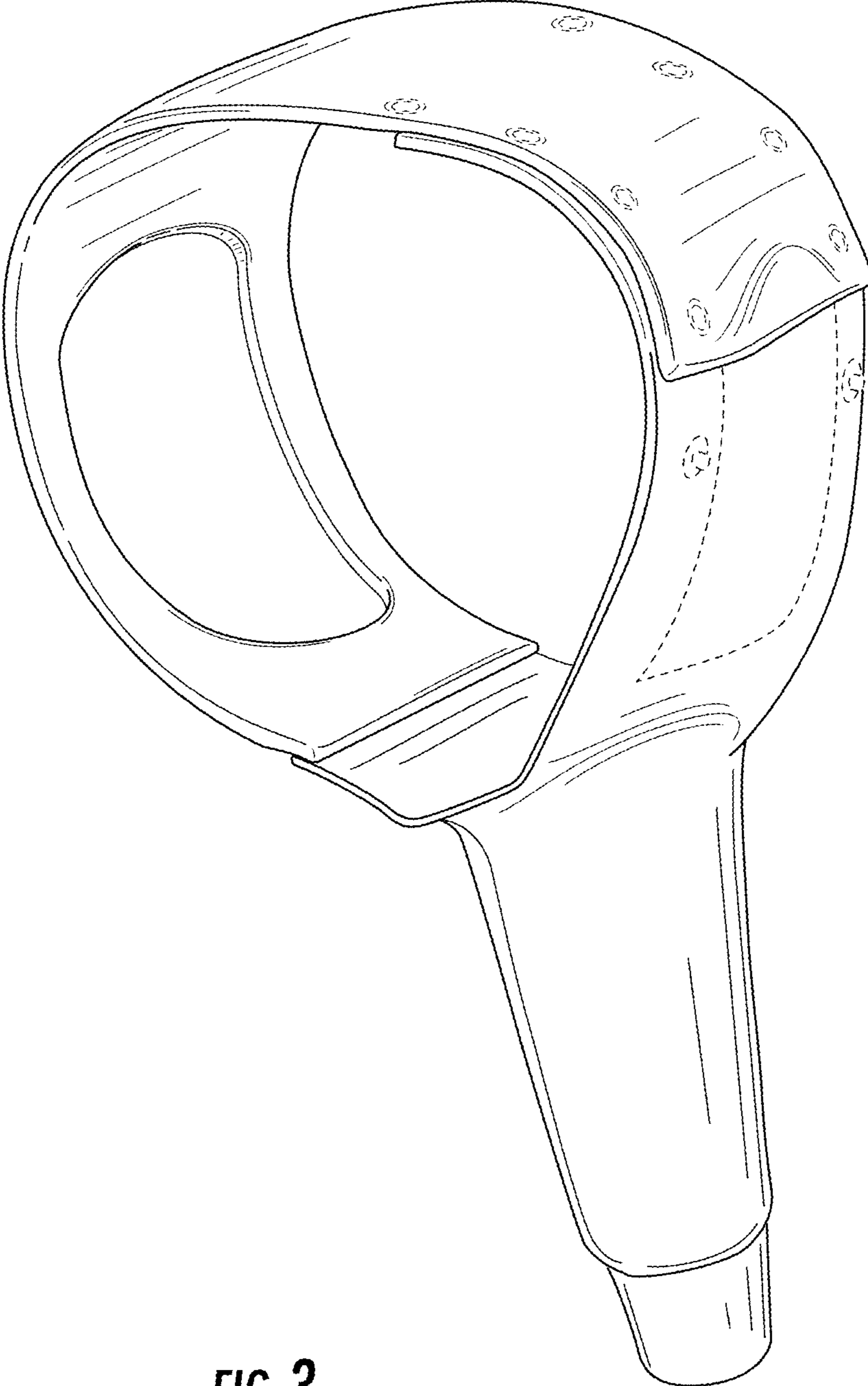


FIG. 3

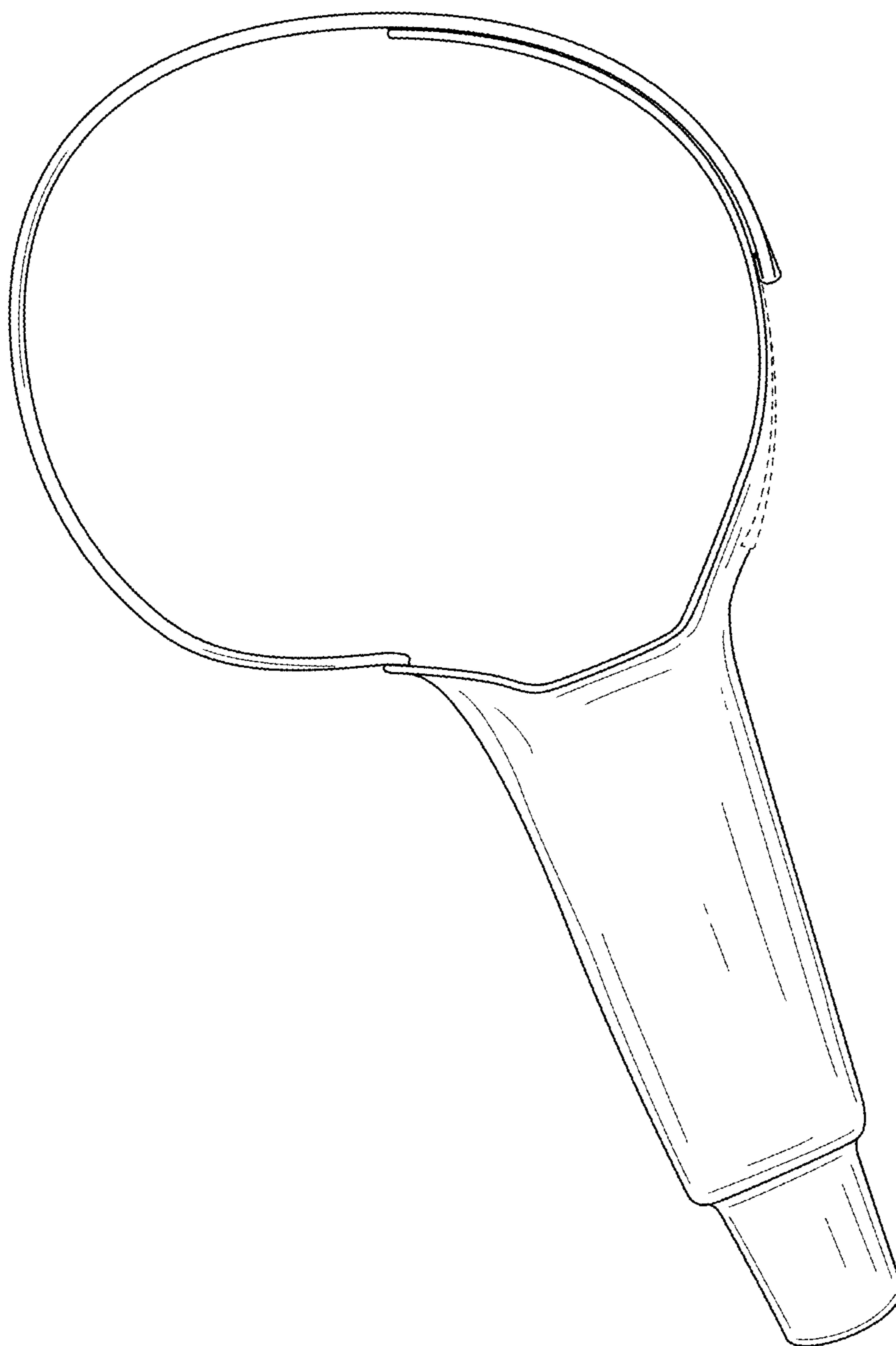


FIG. 4

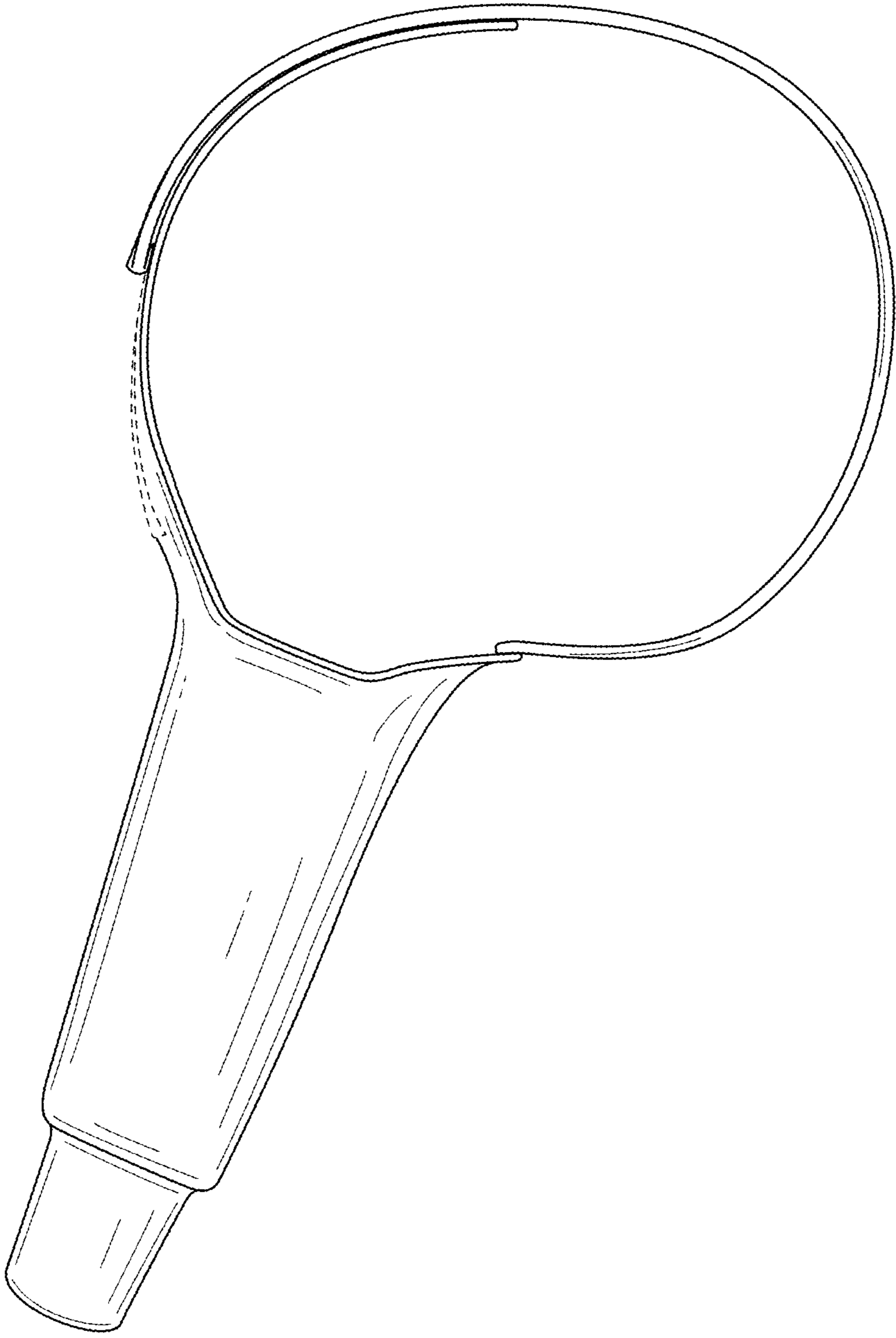


FIG. 5

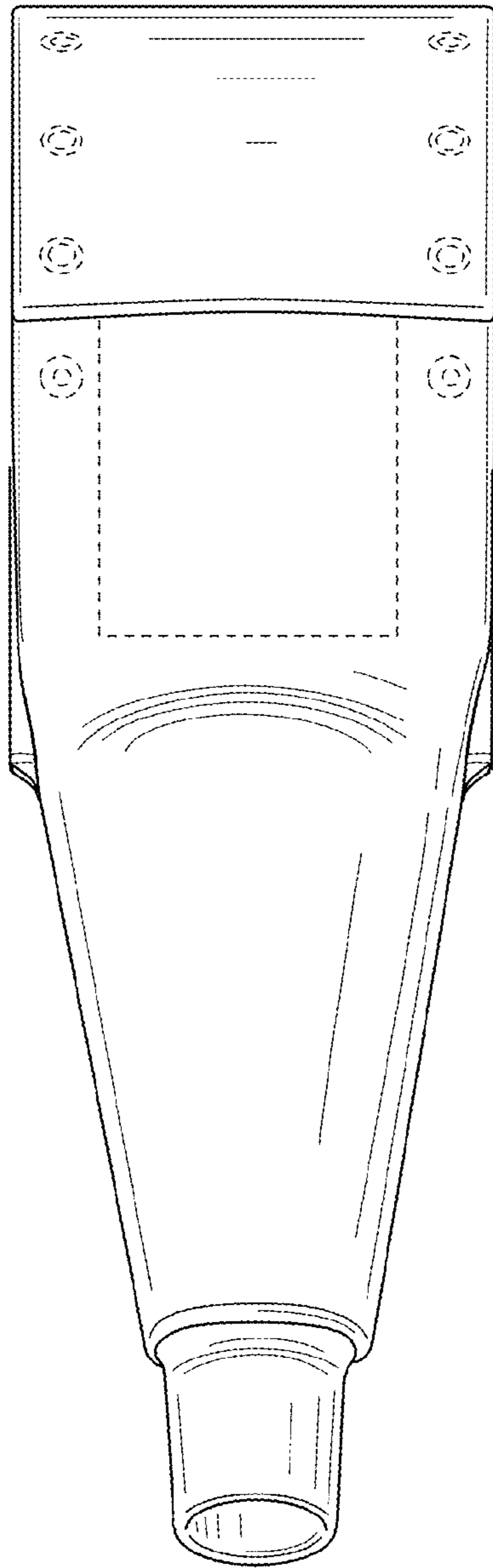


FIG. 6

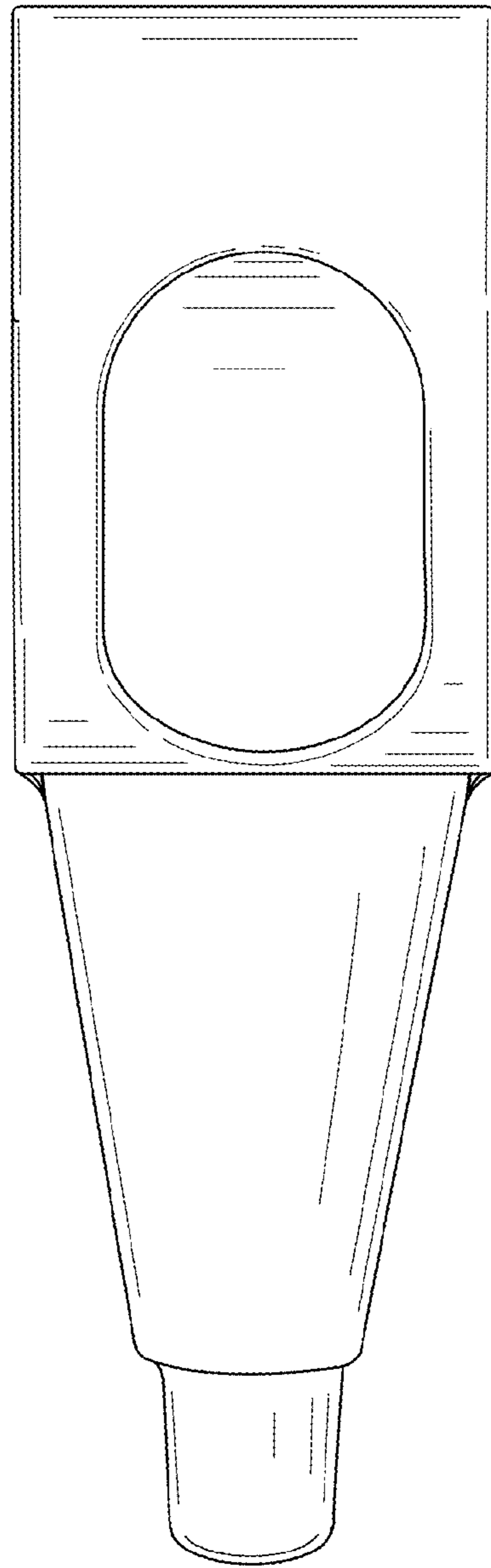


FIG. 7

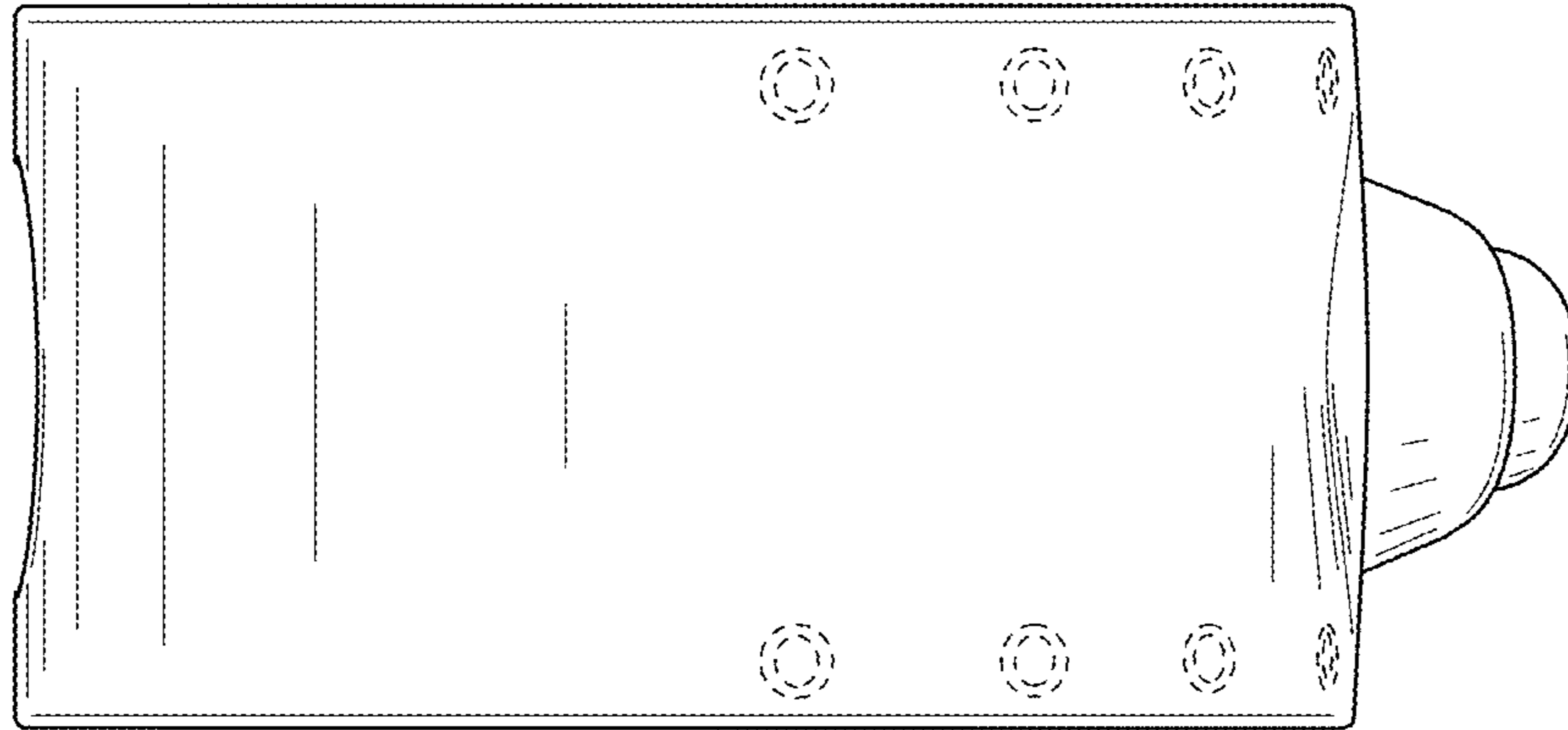


FIG. 8

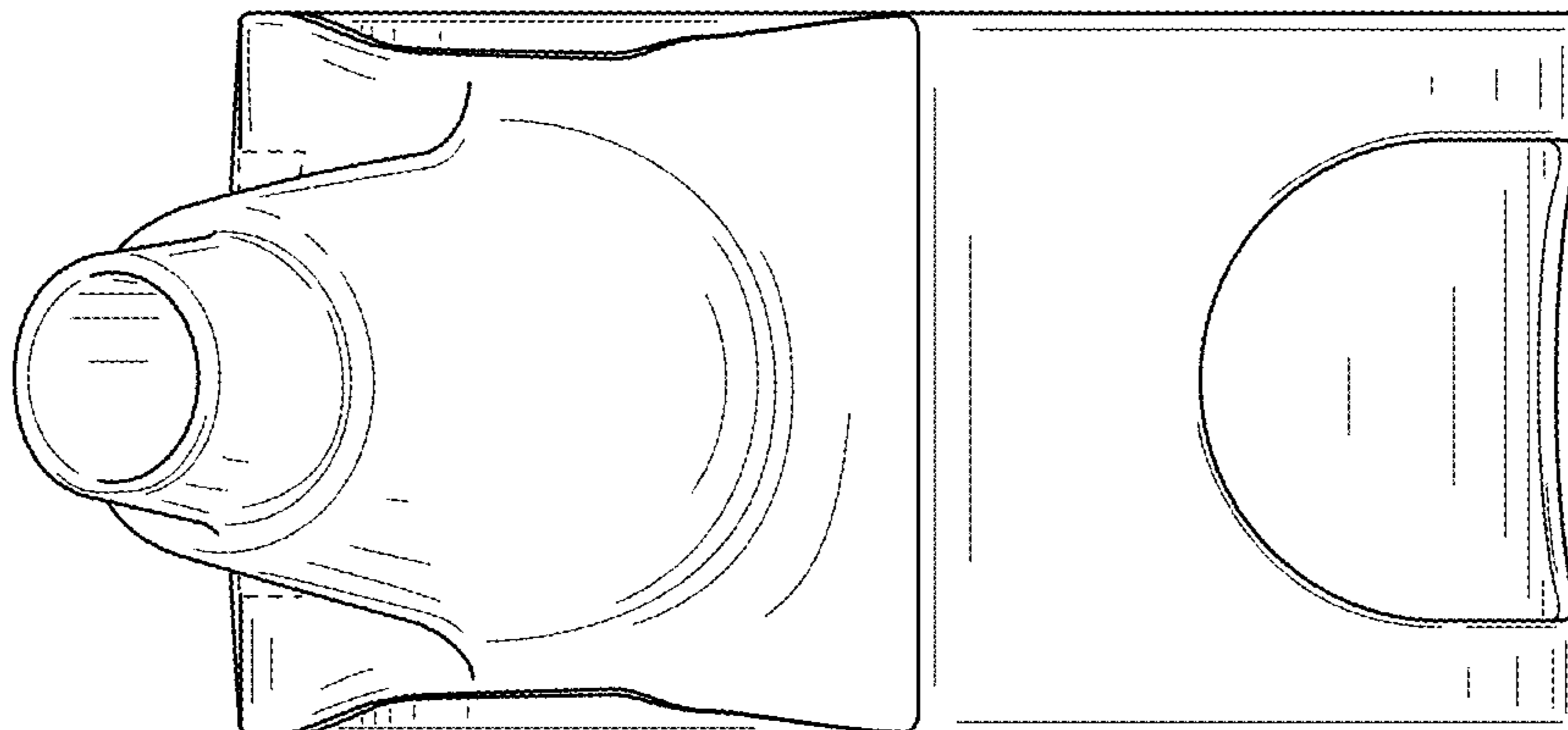


FIG. 9

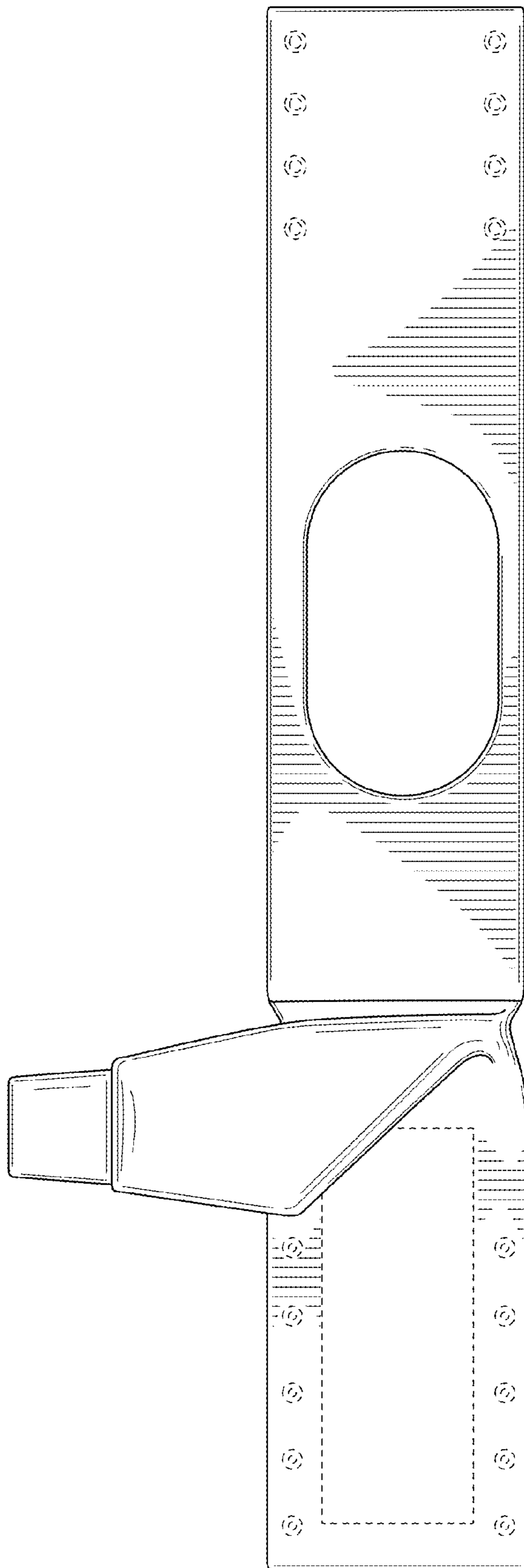


FIG. 10

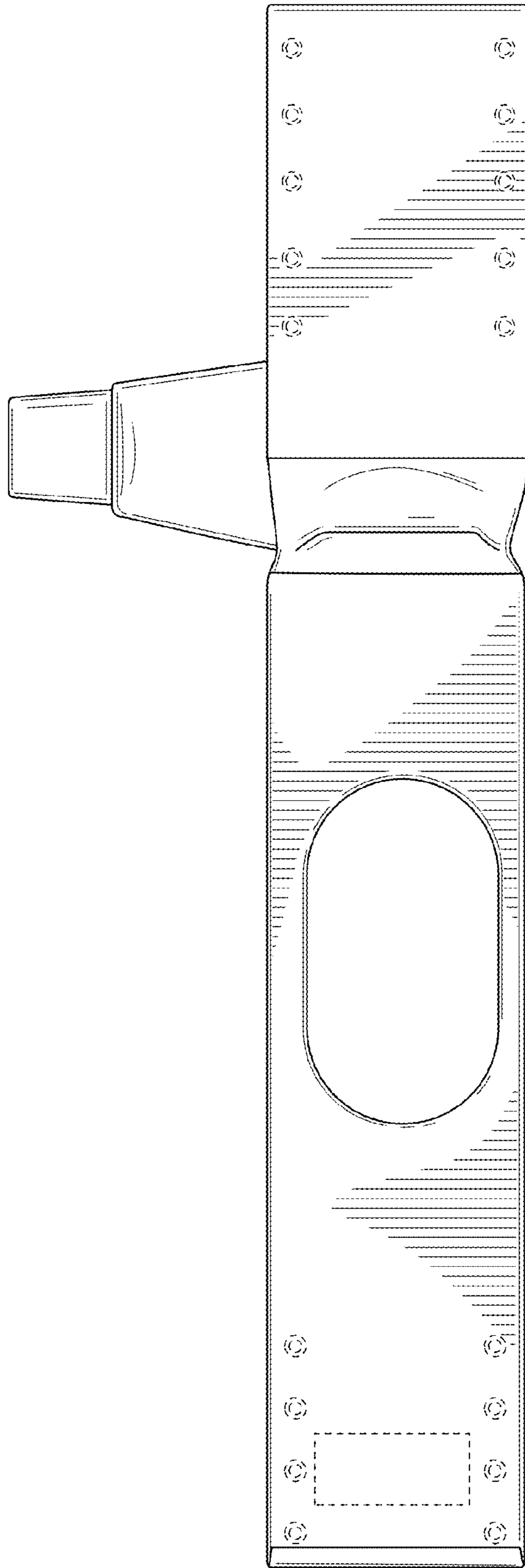


FIG. 11