



US00D692620S

(12) **United States Design Patent**  
**Gendron**

(10) **Patent No.:** **US D692,620 S**

(45) **Date of Patent:** **\*\* Oct. 29, 2013**

(54) **HELMET ACCESSORY MOUNT**

(75) Inventor: **Marie-Pierre Gendron, Mercier (CA)**

(73) Assignee: **Revision Military S.a.r.L., Luxembourg (LU)**

(\*\*) Term: **14 Years**

(21) Appl. No.: **29/369,271**

(22) Filed: **Sep. 3, 2010**

(51) **LOC (9) Cl.** ..... **29-02**

(52) **U.S. Cl.**  
USPC ..... **D29/122**

(58) **Field of Classification Search**  
USPC ..... D29/100, 102-110, 122; D2/891, 893,  
D2/894; D24/110.1, 110.2, 191; 2/410,  
2/411, 412, 424, 425, 10, 15, 452, 454, 9,  
2/206; 128/857, 858  
See application file for complete search history.

D455,524	S *	4/2002	Simpson	.....	D29/122
D457,987	S *	5/2002	Cheng	.....	D29/122
6,662,370	B1	12/2003	Buchanan, Jr.		
6,795,978	B2	9/2004	Fournier et al.		
7,168,821	B2	1/2007	Huang		
D584,010	S *	12/2008	Fernandes et al.	.....	D29/122
D587,858	S *	3/2009	Brace et al.	.....	D29/122
D612,544	S *	3/2010	Brace et al.	.....	D29/122
D624,287	S *	9/2010	Shamchander	.....	D2/892
7,841,026	B2	11/2010	Makris et al.		
D632,437	S	2/2011	Lebel et al.		
8,209,780	B1	7/2012	Lemire		
2006/0282939	A1	12/2006	Rogers et al.		
2009/0126059	A1	5/2009	Tack et al.		

(Continued)

*Primary Examiner* — Elizabeth J Oswecki

(74) *Attorney, Agent, or Firm* — Wolf, Greenfield & Sacks, P.C.

(57) **CLAIM**

The ornamental design for a helmet accessory mount, as shown and described.

**DESCRIPTION**

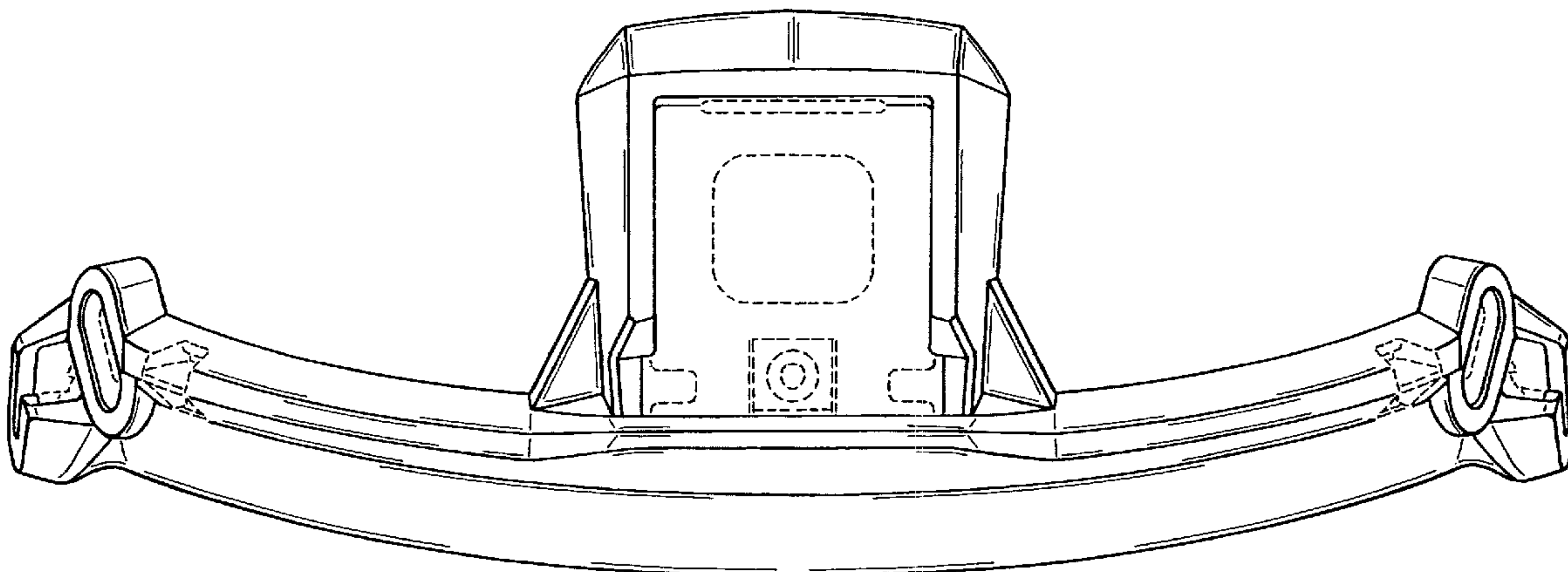
FIG. 1 is a front view of a helmet accessory mount showing my new design;  
 FIG. 2 is a perspective view of the helmet accessory mount of FIG. 1;  
 FIG. 3 is a left side view of the helmet accessory mount of FIG. 1;  
 FIG. 4 is a right side view of the helmet accessory mount of FIG. 1;  
 FIG. 5 is a rear view of the helmet accessory mount of FIG. 1;  
 FIG. 6 is a top view of the helmet accessory mount of FIG. 1;  
 and,  
 FIG. 7 is a bottom view of the helmet accessory mount of FIG. 1.  
 The portions of a helmet accessory mount shown in broken lines form no part of the claimed design.

**1 Claim, 7 Drawing Sheets**

(56) **References Cited**

**U.S. PATENT DOCUMENTS**

3,480,966	A *	12/1969	Molitoris et al.	.....	2/421
3,605,115	A *	9/1971	Bohner	.....	2/10
D261,074	S *	10/1981	Gronborg	.....	D29/110
5,091,719	A	2/1992	Beamon, III		
D333,366	S *	2/1993	Brown	.....	D29/109
D360,708	S *	7/1995	Palmaer	.....	D29/122
D361,868	S *	8/1995	Raugh	.....	D29/109
5,471,678	A	12/1995	Dor		
5,694,650	A	12/1997	Hong		
D394,341	S *	5/1998	Halmo	.....	D2/893
5,901,369	A	5/1999	Pilney		
D427,381	S *	6/2000	Ho	.....	D29/109
6,105,172	A	8/2000	Shida		
6,160,666	A	12/2000	Rallison et al.		
6,161,225	A	12/2000	Arai		
6,170,084	B1 *	1/2001	Gordon et al.	.....	2/12
D454,988	S *	3/2002	Simpson	.....	D29/122
D455,523	S *	4/2002	Yungblut	.....	D29/122



(56)

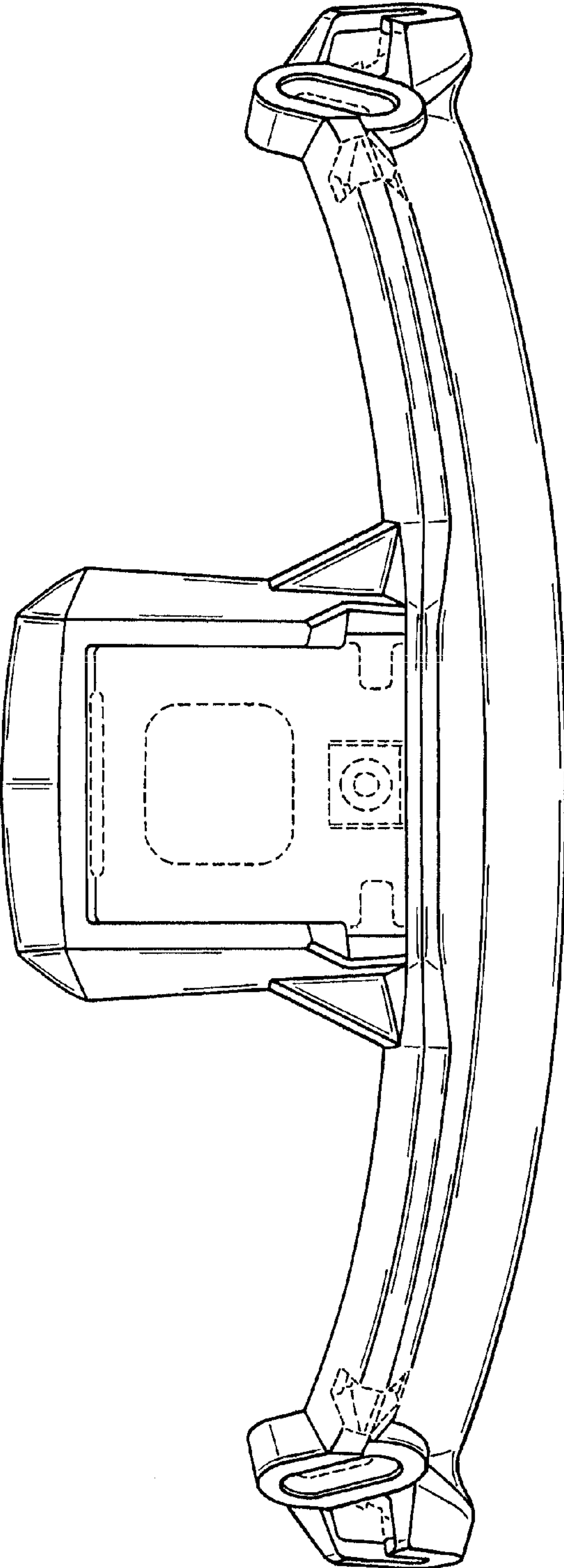
**References Cited**

U.S. PATENT DOCUMENTS

2010/0012692 A1 1/2010 Harris et al.

2010/0064405 A1 3/2010 Mcgovern  
2010/0083413 A1 4/2010 Mcgovern  
2010/0175172 A1 7/2010 Dempsey et al.

\* cited by examiner



*Fig. 1*

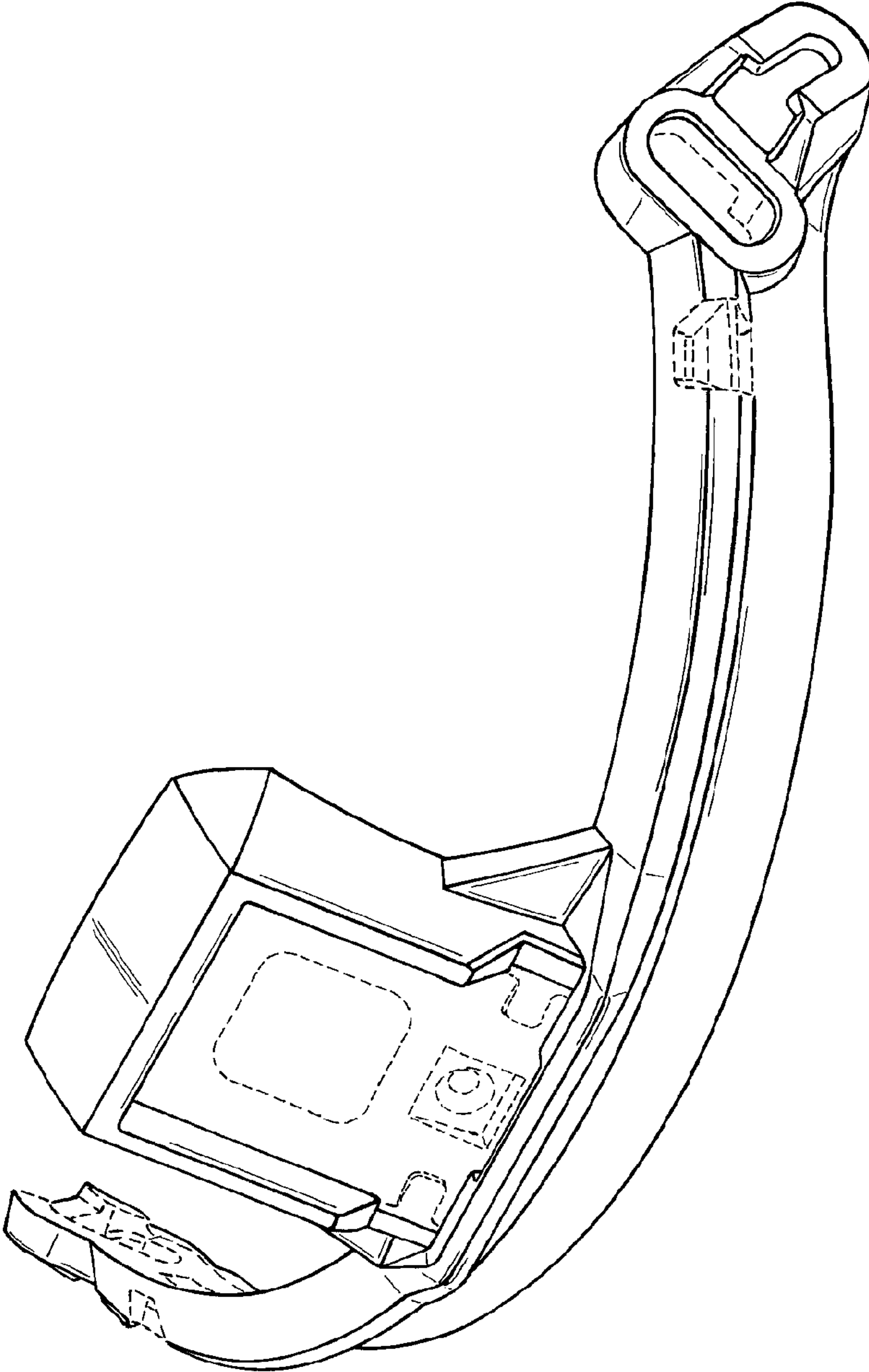
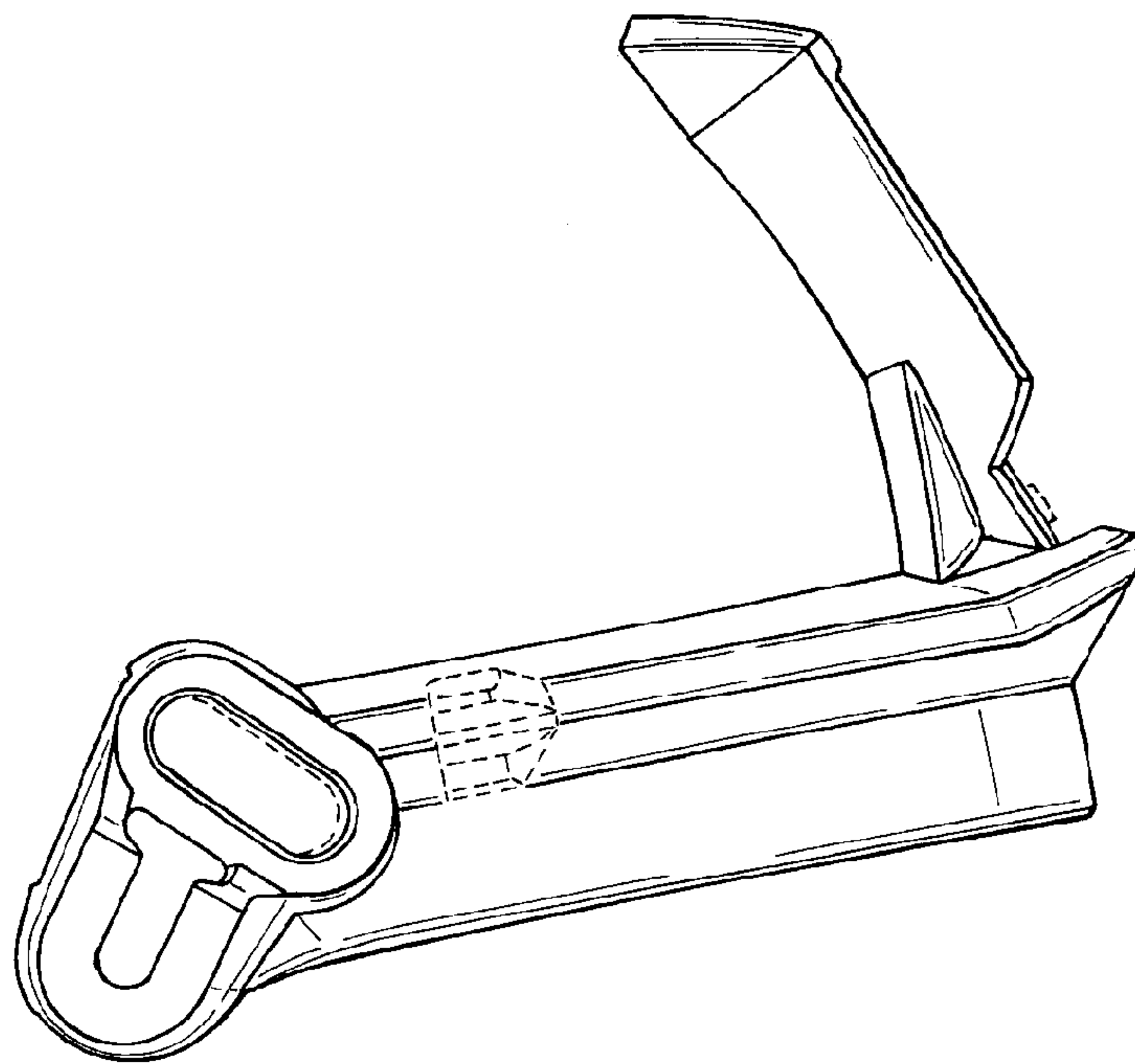
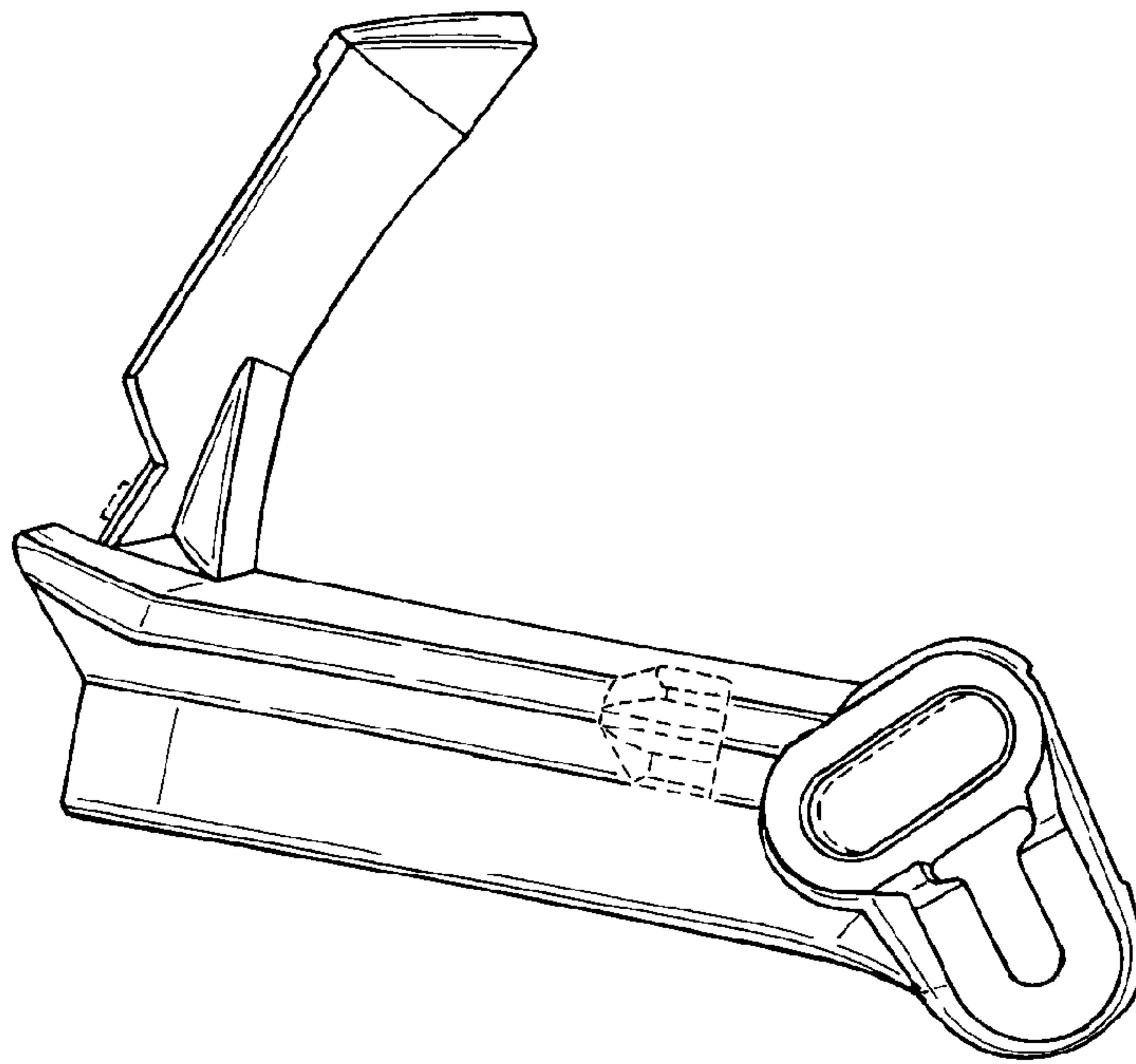


Fig. 2



*Fig. 3*



*Fig. 4*



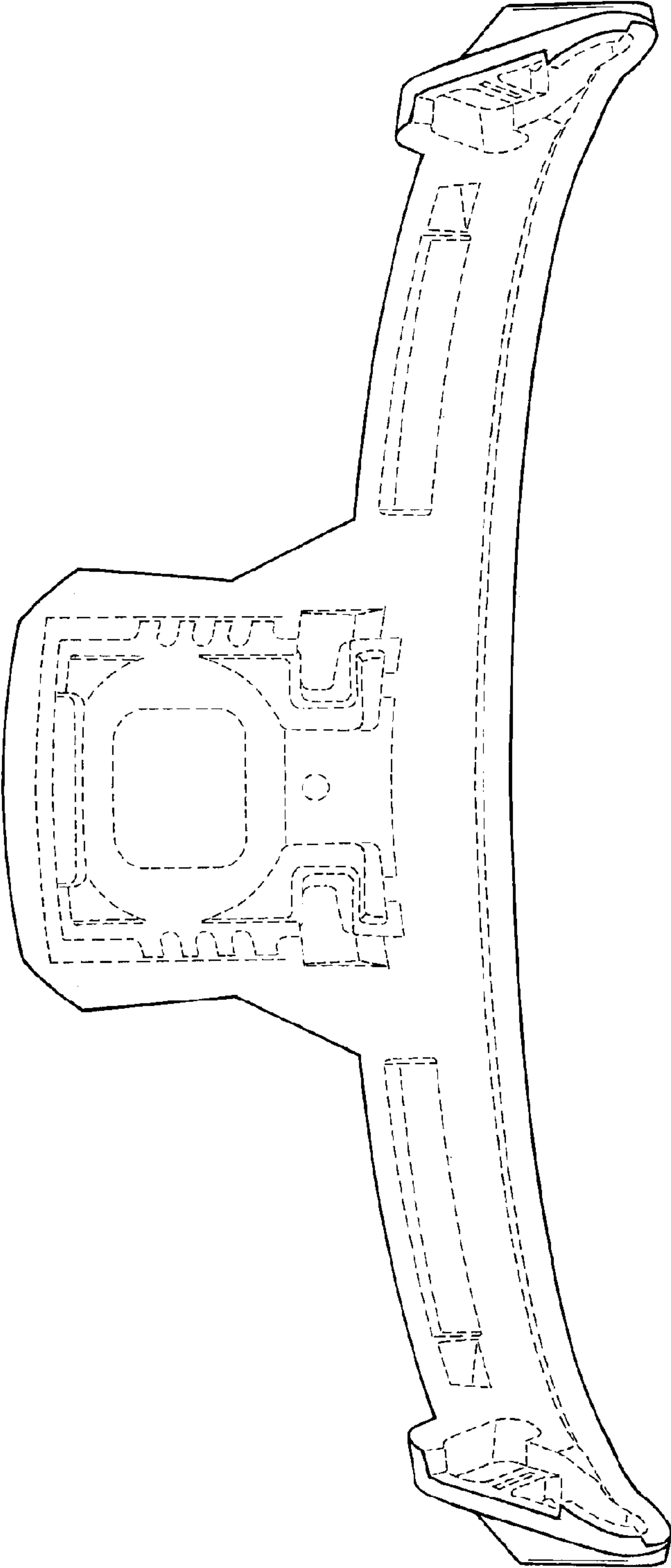
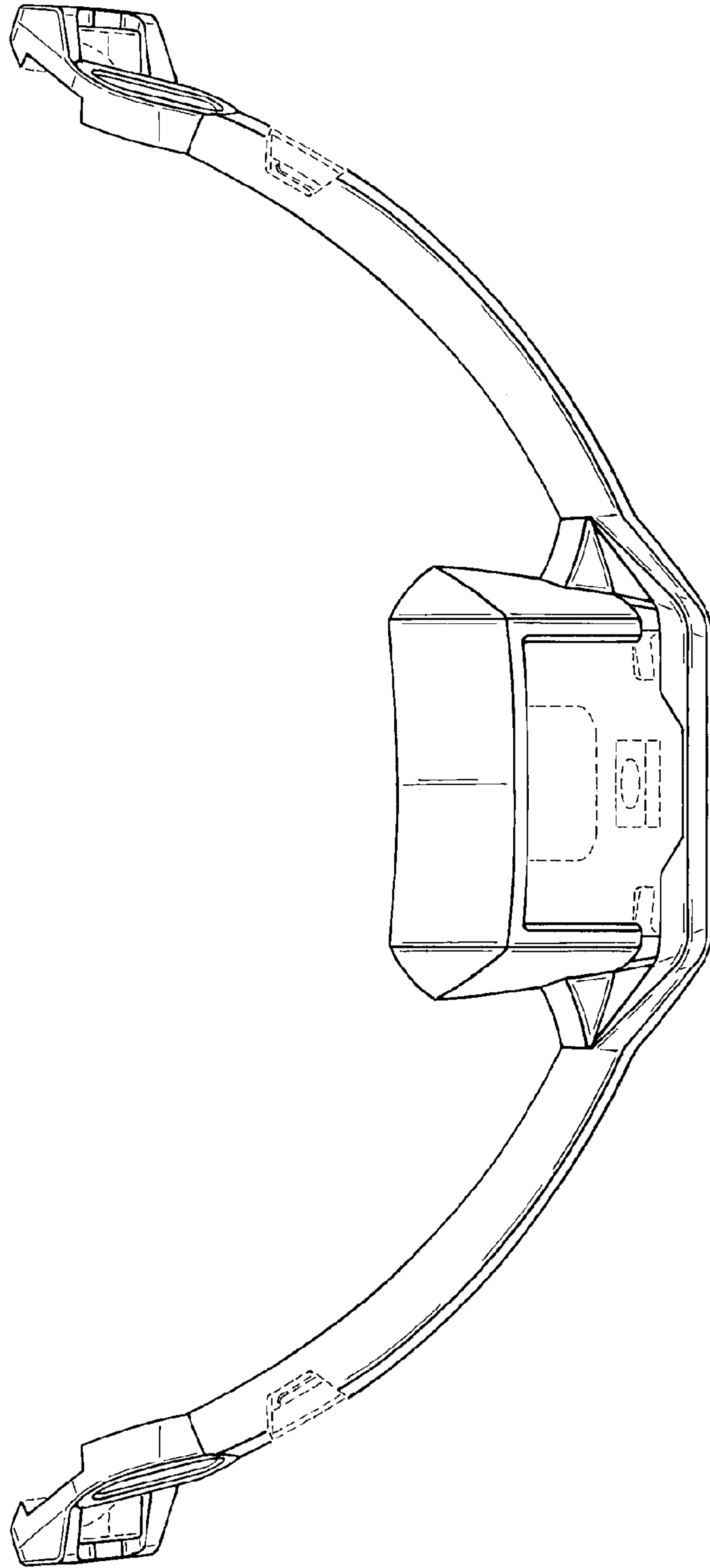
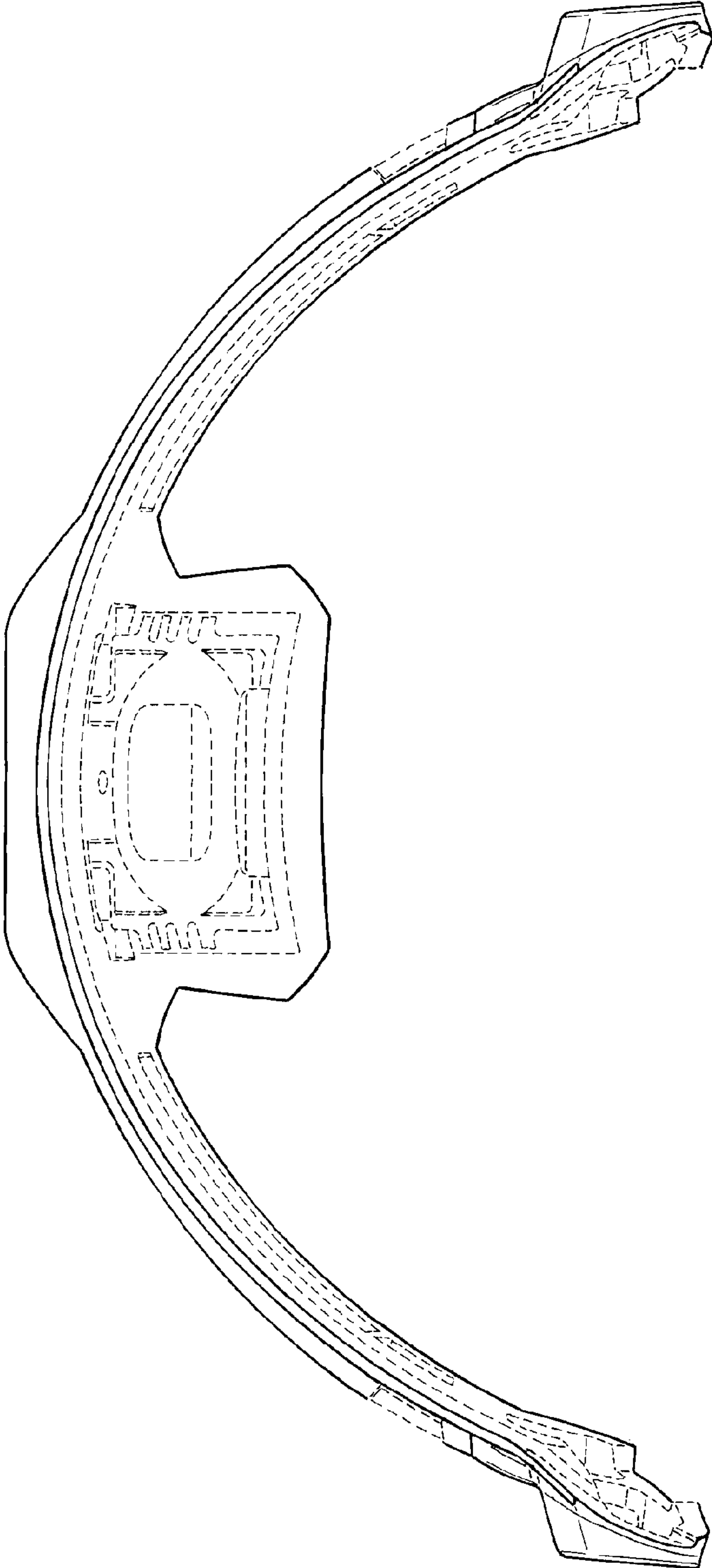


Fig. 5



*Fig. 6*





*Fig. 7*