



US00D692616S

(12) **United States Design Patent**
Patel

(10) **Patent No.:** **US D692,616 S**
(45) **Date of Patent:** **** Oct. 29, 2013**

(54) **CIGARETTE ROLLING MACHINE**

(71) Applicant: **Shargio Patel**, Vernon Hilles, IL (US)

(72) Inventor: **Shargio Patel**, Vernon Hilles, IL (US)

(**) Term: **14 Years**

(21) Appl. No.: **29/442,420**

(22) Filed: **Feb. 28, 2013**

(51) **LOC (9) Cl.** **27-99**

(52) **U.S. Cl.**
USPC **D27/194**

(58) **Field of Classification Search**
USPC D27/172, 183, 184, 194; D7/372, 678,
D7/679; 131/57, 58, 70-75, 329
See application file for complete search history.

(56) **References Cited**

U.S. PATENT DOCUMENTS

2,314,734	A *	3/1943	Ptasnik	131/79
2,551,095	A *	5/1951	Chaze	222/162
2,699,787	A *	1/1955	Kastner	131/70
2,714,383	A *	8/1955	Gee	131/70
2,731,971	A *	1/1956	Kastner	131/70
3,124,141	A *	3/1964	Seitter	131/70
3,127,900	A *	4/1964	Kastner	131/70
D241,354	S *	9/1976	Kastner	D27/194
D553,793	S *	10/2007	Lin	D27/194
D579,150	S *	10/2008	Lin et al.	D27/194

D613,032	S *	4/2010	Lin	D27/194
2007/0235045	A1 *	10/2007	Lin	131/27.1
2007/0295343	A1 *	12/2007	Susanto et al.	131/58
2012/0312311	A1 *	12/2012	Lin	131/70
2013/0152952	A1 *	6/2013	Bao	131/70

* cited by examiner

Primary Examiner — Susan Bennett Hattan

Assistant Examiner — Janice Hallmark

(74) *Attorney, Agent, or Firm* — Justin Lampel

(57) **CLAIM**

The ornamental design for a cigarette rolling machine, as shown and described.

DESCRIPTION

FIG. 1 is a top perspective view of the cigarette rolling machine;

FIG. 2 is a front view of the cigarette rolling machine;

FIG. 3 is a top plan view of the cigarette rolling machine;

FIG. 4 is a back plan view of the cigarette rolling machine;

FIG. 5 is a side plan view of the cigarette rolling machine; and

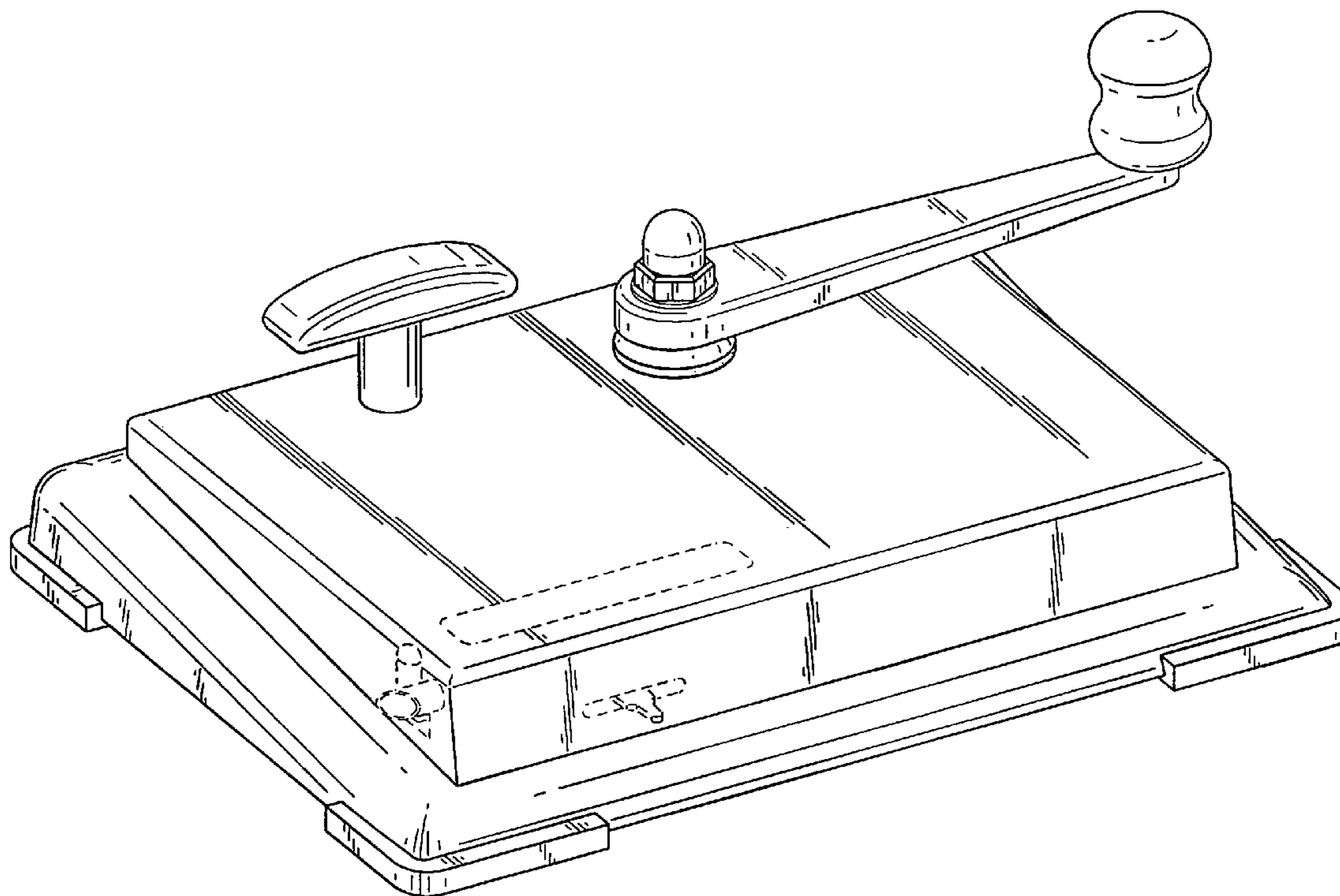
FIG. 6 is a side plan view of the cigarette rolling machine;

and,

FIG. 7 is a bottom view of the cigarette rolling machine.

The broken lines on the front, top, back, and sides of the claim depict environment; the broken lines on the bottom depict boundaries of the claim; all broken lines are unclaimed.

1 Claim, 6 Drawing Sheets



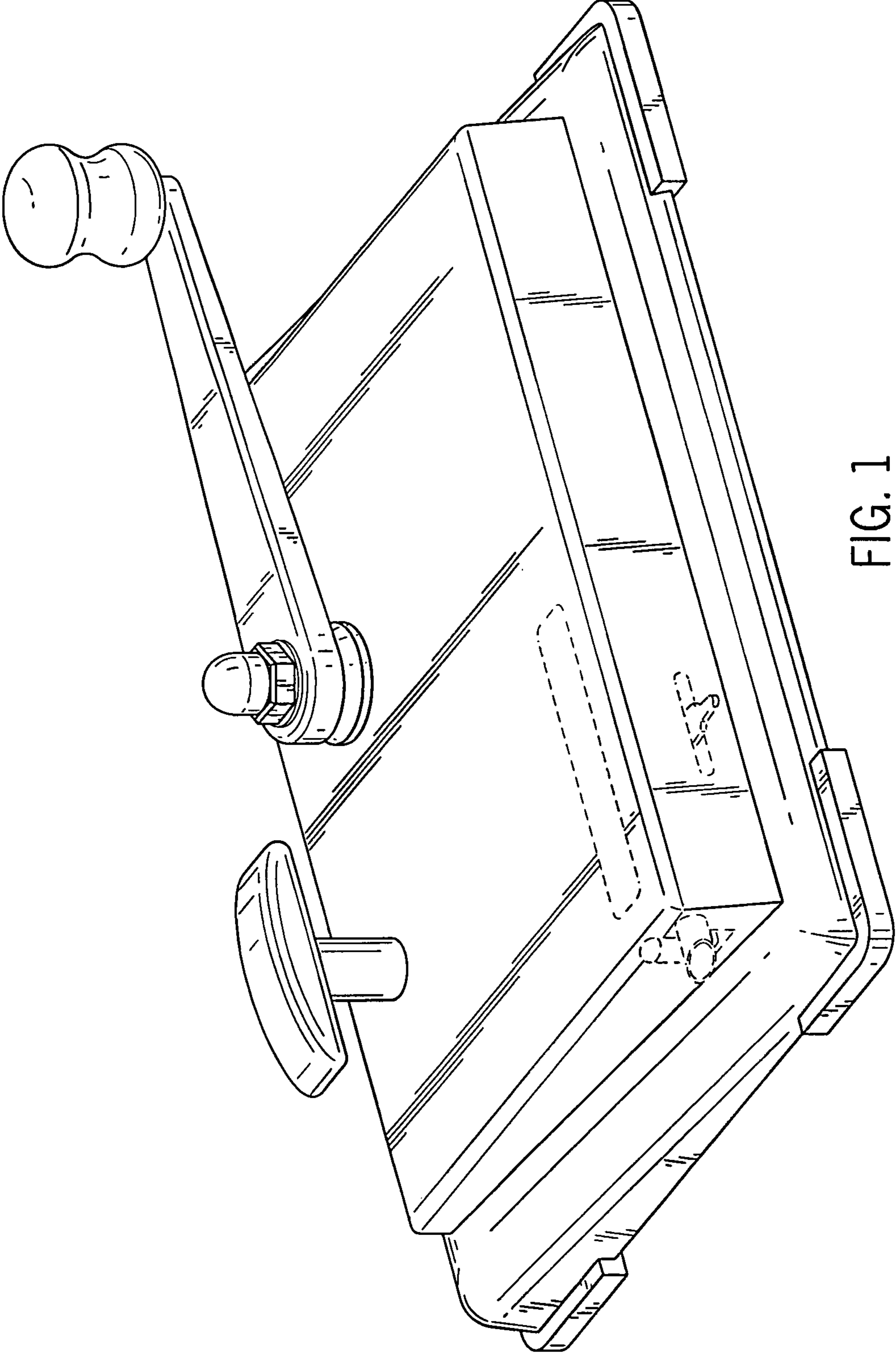


FIG. 1

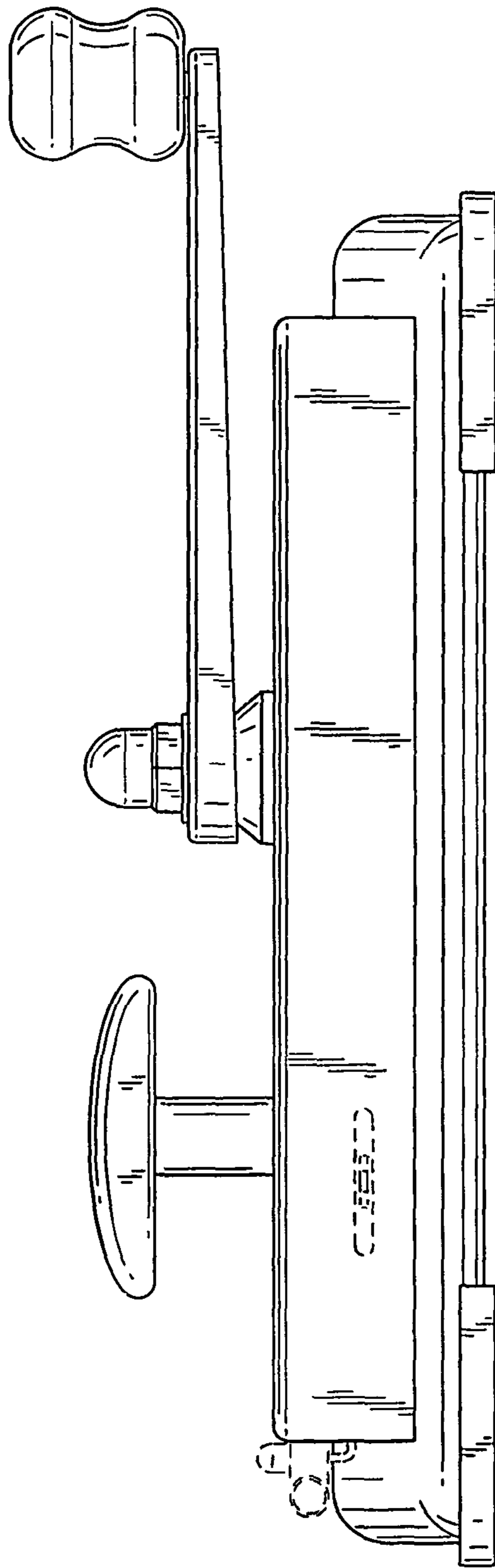


FIG. 2

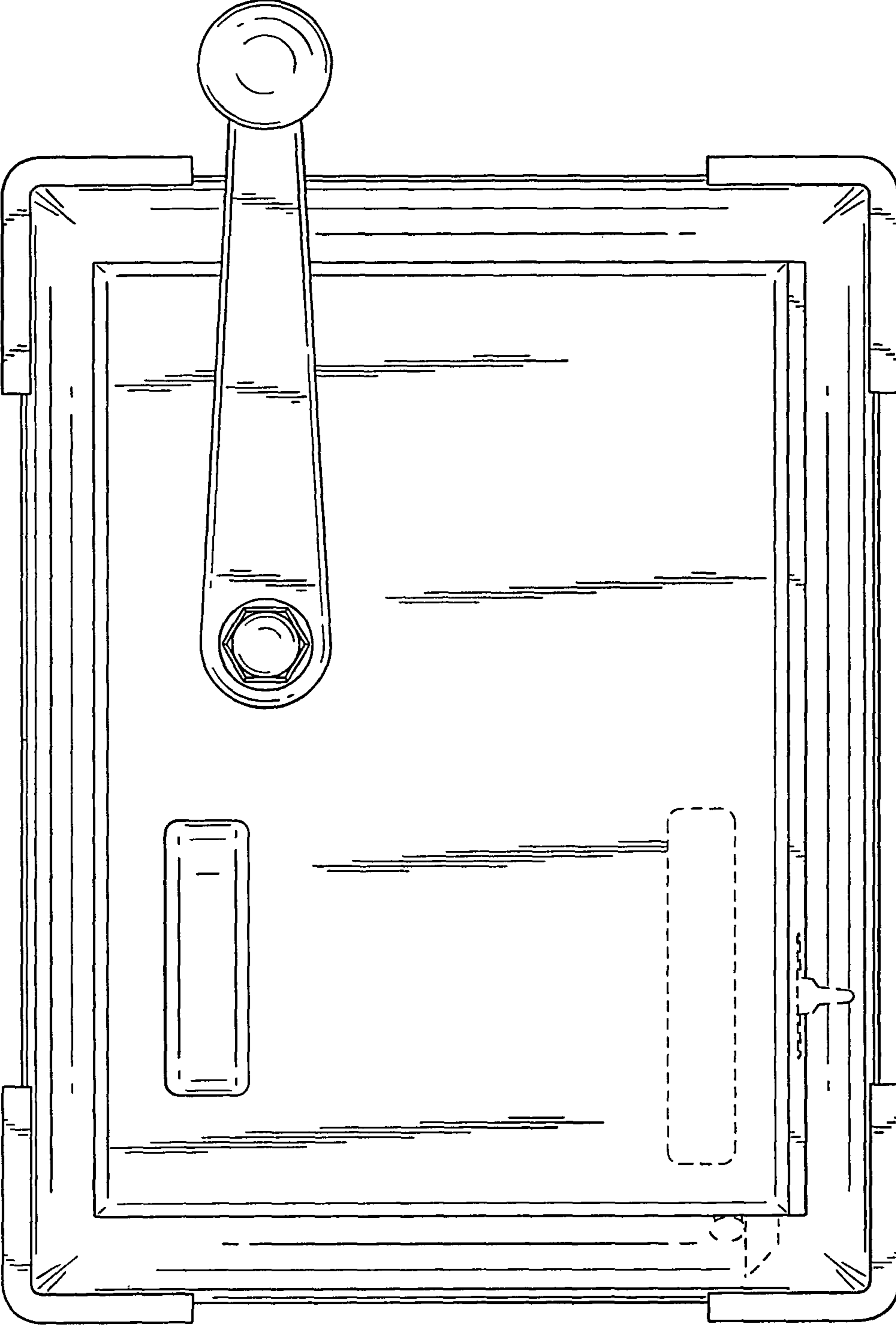


FIG. 3

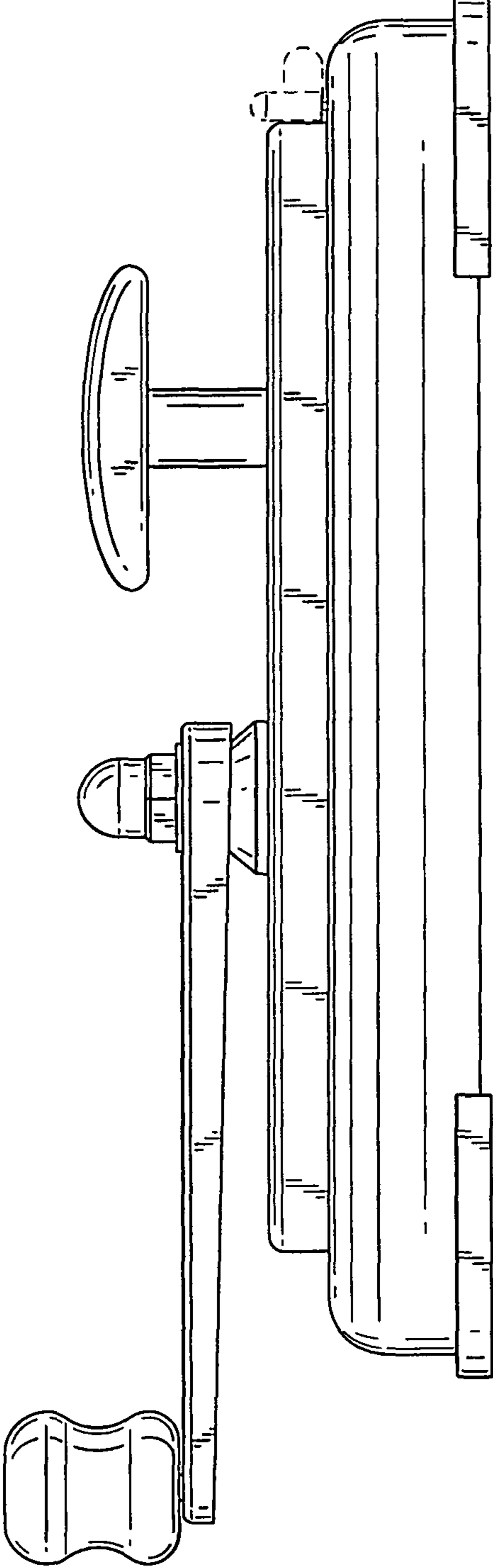


FIG. 4

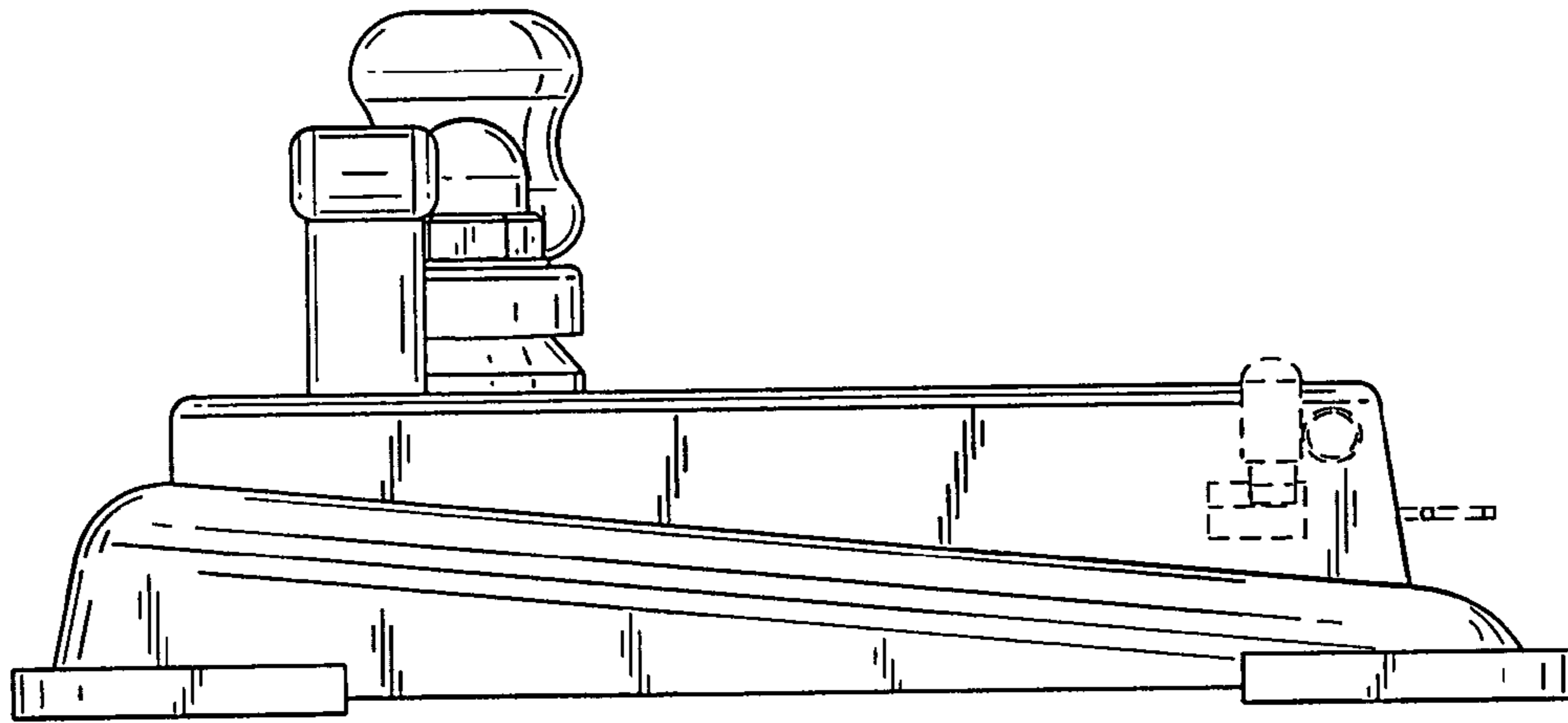


FIG. 5

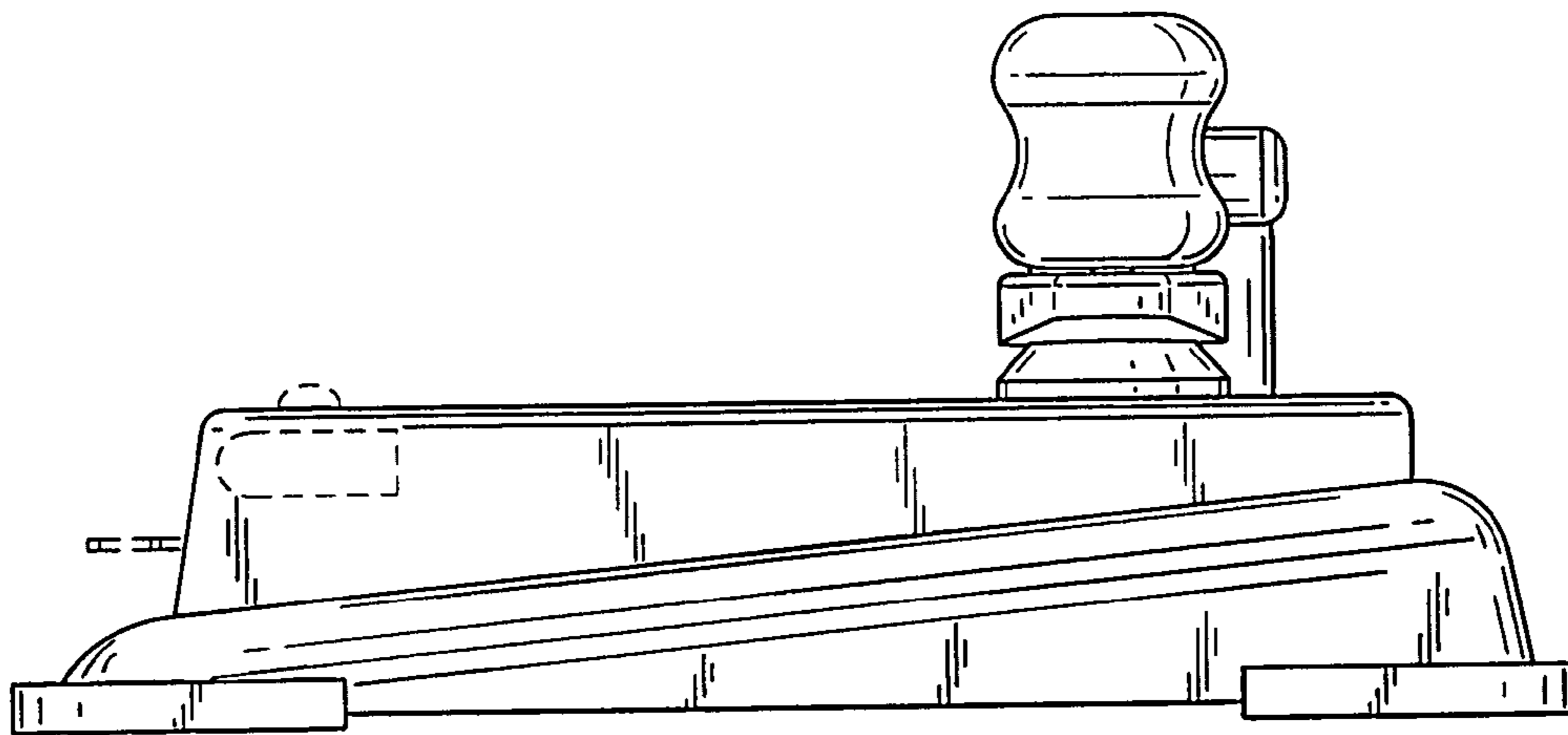


FIG. 6

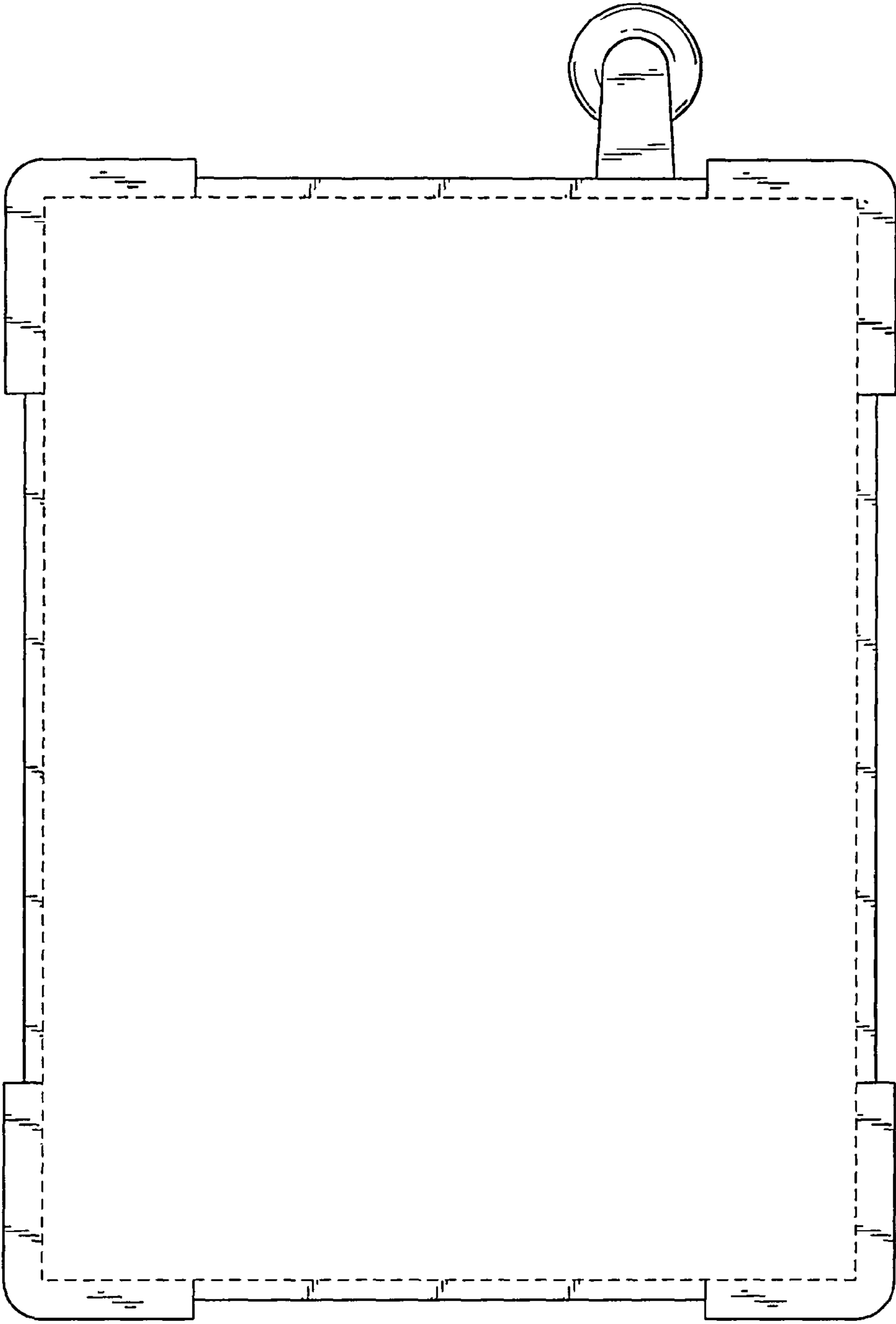


FIG. 7