

US00D692611S

(12) **United States Design Patent**  
**Silver**

(10) **Patent No.:** **US D692,611 S**  
(45) **Date of Patent:** **\*\* Oct. 29, 2013**

- (54) **LUMINAIRE**
- (71) Applicant: **Beta-Calco Inc.**, Toronto (CA)
- (72) Inventor: **Remy Silver**, Toronto (CA)
- (73) Assignee: **Beta-Calco Inc.**, Toronto (CA)
- (\*\*) Term: **14 Years**
- (21) Appl. No.: **29/433,350**
- (22) Filed: **Sep. 28, 2012**
- (30) **Foreign Application Priority Data**  
Apr. 20, 2012 (CA) ..... 145412
- (51) **LOC (9) Cl.** ..... **26-99**
- (52) **U.S. Cl.**  
USPC ..... **D26/138**
- (58) **Field of Classification Search**  
USPC ..... D26/118, 119, 120, 67, 68, 69, 62, 63,  
D26/85, 86, 121, 122, 65, 124, 125, 139,  
D26/138, 140, 155, 154, 72, 76, 75, 64, 66,  
D26/71, 78, 79, 84, 137, 136, 126, 127, 128,  
D26/129, 135, 132, 134, 142, 144, 145, 147,  
D26/152, 1, 2, 3, 87, 88, 24, 25, 26, 28, 89,  
D26/90, 91, 92; 362/225, 326, 147,  
362/249.01-249.12, 346, 223, 224, 306,  
362/149, 362, 217.05, 342, 217.03, 297,  
362/294, 235, 329, 476, 555, 218;  
D13/179, 180  
See application file for complete search history.

- (56) **References Cited**  
U.S. PATENT DOCUMENTS  
D55,106 S \* 5/1920 Wood ..... D26/63  
D66,996 S \* 4/1925 Whittington ..... D26/140  
D87,213 S \* 6/1932 Hoffman ..... D26/90

- D167,081 S \* 6/1952 Huegel ..... D26/88
- 2,689,909 A \* 9/1954 Dazley ..... 362/427
- D202,727 S \* 11/1965 Hahn ..... D26/65
- D234,218 S \* 1/1975 Donato ..... D26/65
- D254,632 S \* 4/1980 Brendgord ..... D26/65
- D280,030 S \* 8/1985 Matthews ..... D26/60
- D290,409 S \* 6/1987 Gendron et al. .... D26/67
- 4,727,460 A \* 2/1988 Payne ..... 362/269
- D297,056 S \* 8/1988 Sestak ..... D26/65
- D307,060 S \* 4/1990 Fraser ..... D26/88
- 4,931,917 A \* 6/1990 Scherf et al. .... 362/371
- D313,481 S \* 1/1991 Fremont et al. .... D26/63
- D315,420 S \* 3/1991 Layne ..... D26/63
- D323,565 S \* 1/1992 Woodgate ..... D26/63
- D328,154 S \* 7/1992 Wereley ..... D26/140
- D342,338 S \* 12/1993 Thun ..... D26/88
- D345,616 S \* 3/1994 Lin ..... D26/63
- D351,038 S \* 9/1994 Snoke et al. .... D26/65
- D351,249 S \* 10/1994 Snoke et al. .... D26/65
- D355,723 S \* 2/1995 Roos et al. .... D26/63
- 5,398,177 A \* 3/1995 Harwood ..... 362/270

(Continued)

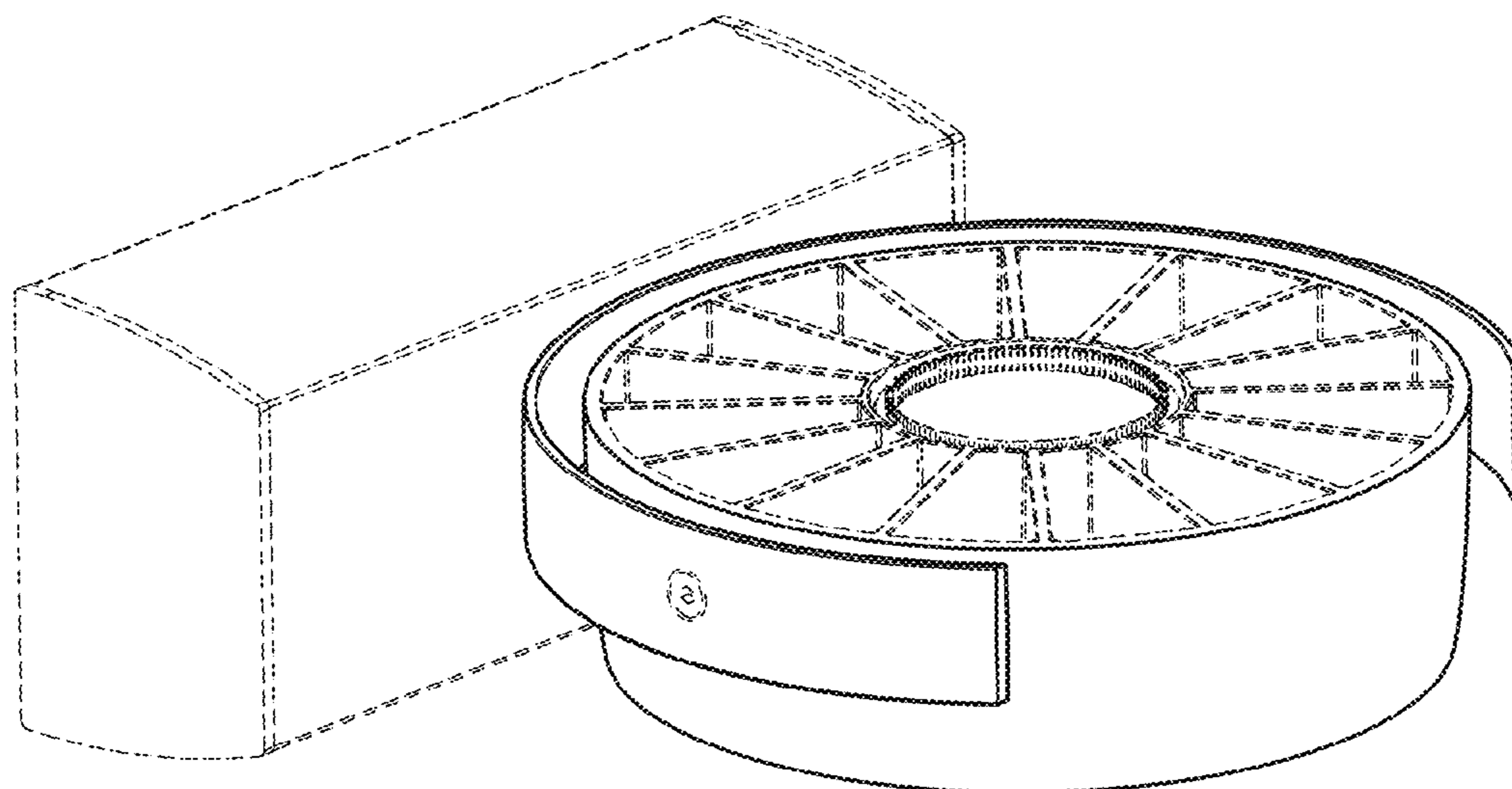
*Primary Examiner* — Kevin Rudzinski  
(74) *Attorney, Agent, or Firm* — Renner, Otto, Boisselle & Sklar, LLP

(57) **CLAIM**  
The ornamental design for a luminaire, as shown and described.

**DESCRIPTION**

FIG. 1 is a perspective view of the luminaire according to my new design;  
FIG. 2 is a top view of the luminaire shown in FIG. 1;  
FIG. 3 is a front view of the luminaire shown in FIG. 1; and,  
FIG. 4 is a side view of the luminaire shown in FIG. 1.  
The broken lines shown in the drawings illustrate portions of the luminaire that form no part of the claimed design.

**1 Claim, 3 Drawing Sheets**



(56)

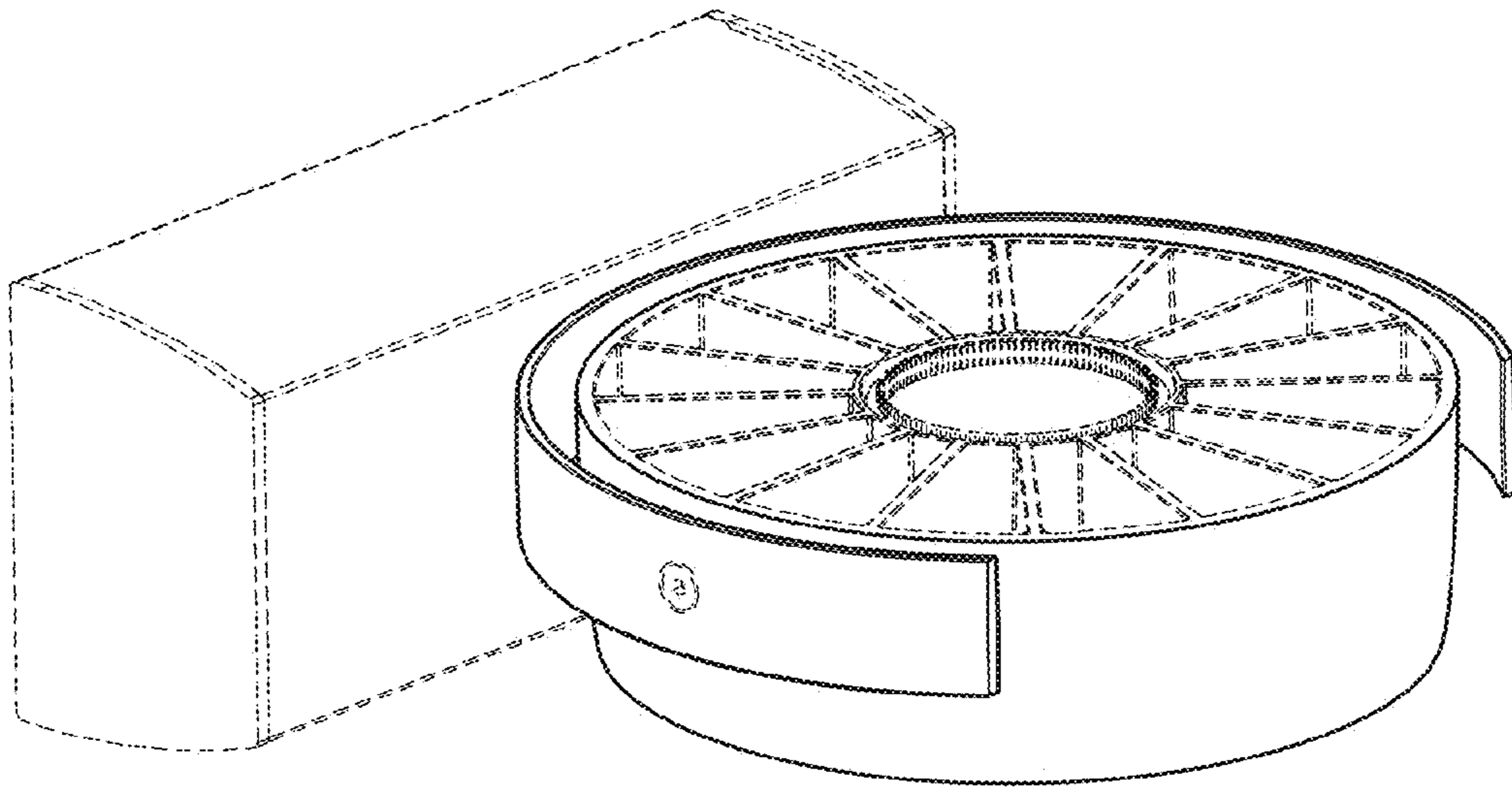
**References Cited**

U.S. PATENT DOCUMENTS

5,428,517 A \* 6/1995 Behringer ..... 362/264  
 D370,990 S \* 6/1996 Lin ..... D26/63  
 D389,260 S \* 1/1998 Mier-Langner et al. .... D26/63  
 D389,261 S \* 1/1998 Lin ..... D26/65  
 D394,723 S \* 5/1998 Mier-Langner et al. .... D26/63  
 D437,957 S \* 2/2001 Borders et al. .... D26/65  
 D439,998 S \* 4/2001 Lin ..... D26/63  
 D449,397 S \* 10/2001 Demshki ..... D26/63  
 D472,337 S \* 3/2003 Bernhart et al. .... D26/63  
 D488,880 S \* 4/2004 Rahn ..... D26/72  
 D525,737 S \* 7/2006 Roos et al. .... D26/63  
 D537,194 S \* 2/2007 Lehman et al. .... D26/138

D539,964 S \* 4/2007 Hsu ..... D26/88  
 D546,993 S \* 7/2007 Layne ..... D26/63  
 D548,868 S \* 8/2007 Roberge et al. .... D26/63  
 D558,381 S \* 12/2007 Horn et al. .... D26/85  
 D560,013 S \* 1/2008 Benghozi ..... D26/61  
 D586,491 S \* 2/2009 Levine ..... D26/63  
 D605,333 S \* 12/2009 Miranda ..... D26/88  
 D605,789 S \* 12/2009 Ko ..... D26/28  
 D614,325 S \* 4/2010 Mier-Langner et al. .... D26/26  
 D615,229 S \* 5/2010 van Klinken ..... D26/63  
 D615,230 S \* 5/2010 van Klinken ..... D26/63  
 D632,003 S \* 2/2011 Jordan ..... D26/88  
 D644,372 S \* 8/2011 Verelst ..... D26/87  
 D666,935 S \* 9/2012 Hernandez et al. .... D11/3  
 D673,721 S \* 1/2013 Shen ..... D26/138

\* cited by examiner



**FIG. 1**

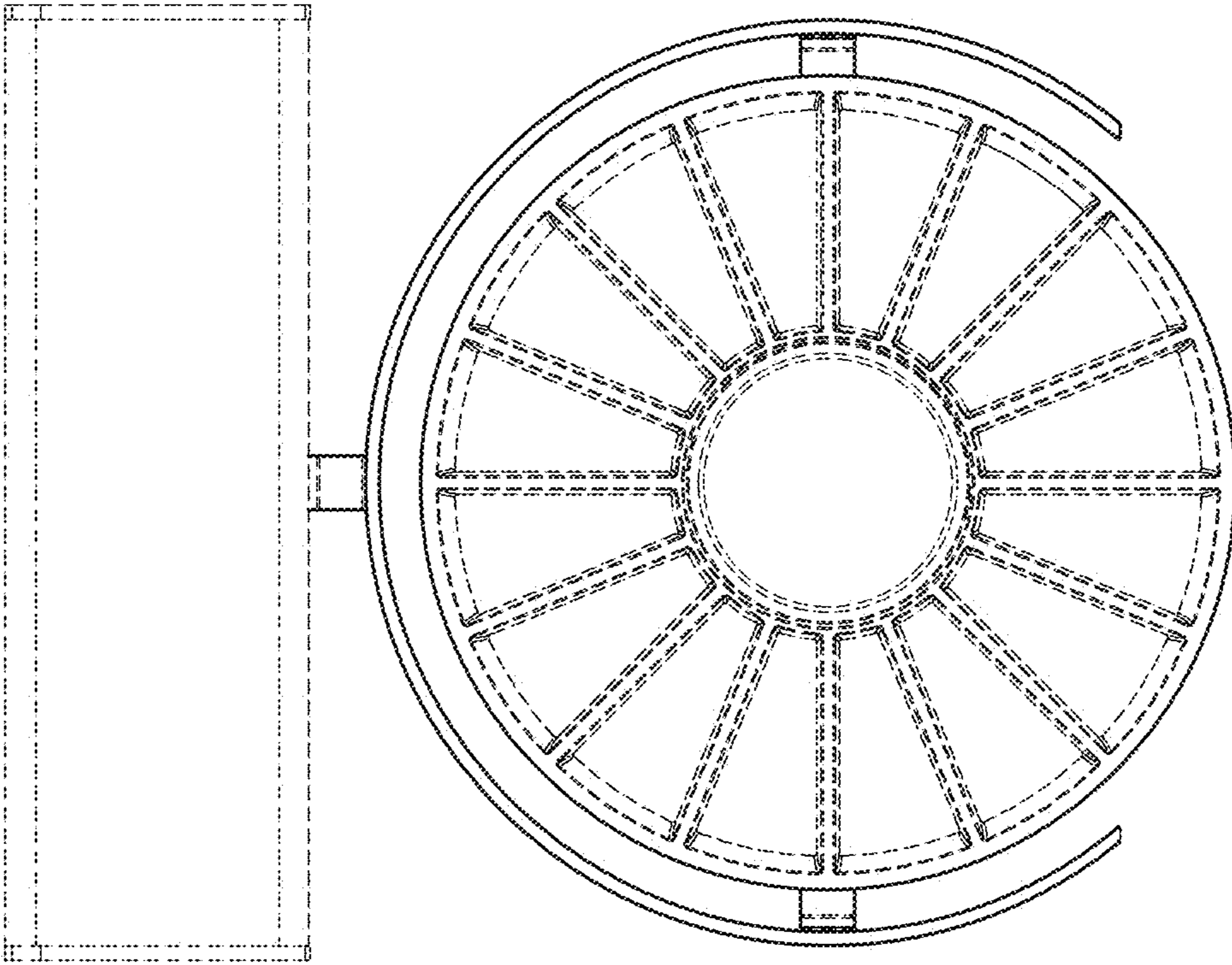


FIG. 2

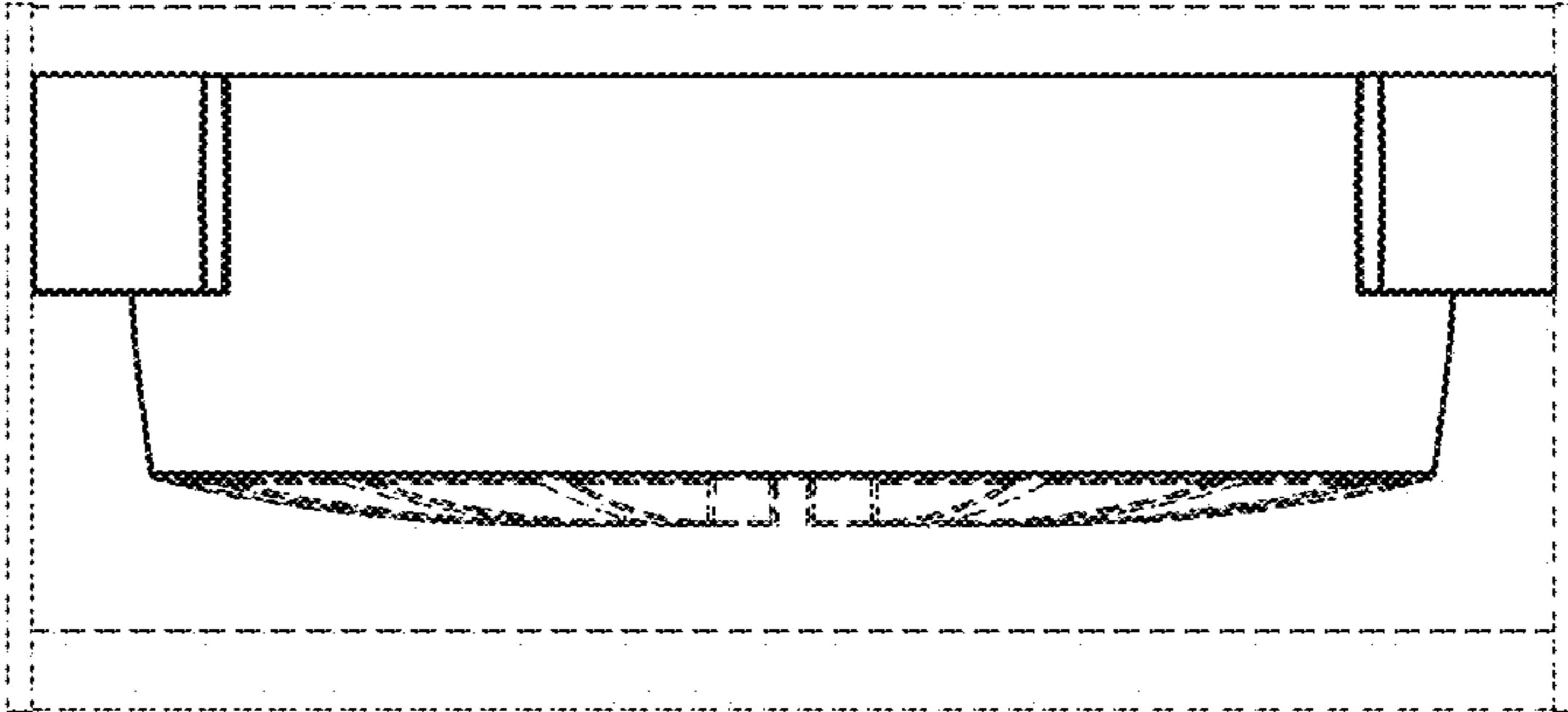


FIG. 3

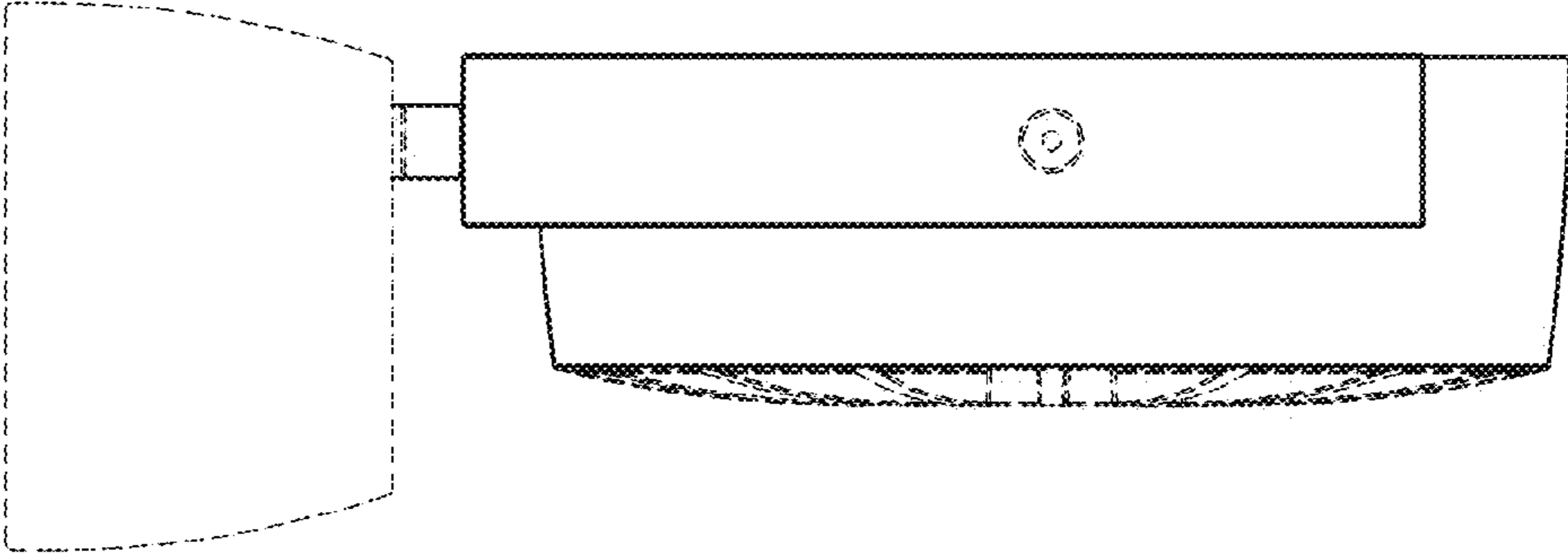


FIG. 4