



US00D692607S

(12) **United States Design Patent**  
**Lastimoso**

(10) **Patent No.:** **US D692,607 S**

(45) **Date of Patent:** **\*\* Oct. 29, 2013**

(54) **LIGHT FIXTURE**

(75) Inventor: **Edgardo Lastimoso**, Cainta (PH)

(73) Assignee: **Quoizel, Inc.**, Goose Creek, SC (US)

(\*\*) Term: **14 Years**

(21) Appl. No.: **29/417,394**

(22) Filed: **Apr. 3, 2012**

(51) **LOC (9) Cl.** ..... **26-03**

(52) **U.S. Cl.**  
USPC ..... **D26/88**

(58) **Field of Classification Search**  
USPC ..... D26/81-92, 118, 128, 131, 133, 134,  
D26/135; 362/147, 404-408, 431, 432  
See application file for complete search history.

(56) **References Cited**

U.S. PATENT DOCUMENTS

D35,908 S *	5/1902	Jamison	.....	D26/81
D57,755 S *	4/1921	Willman	.....	D26/88
D67,337 S *	5/1925	Chappell	.....	D26/81
D86,989 S *	5/1932	Ainsworth	.....	D26/88
D156,554 S *	12/1949	Novin	.....	D26/90
D167,081 S *	6/1952	Huegel	.....	D26/88
D389,598 S *	1/1998	Littman et al.	.....	D26/84
D422,737 S	4/2000	Orozco		
D430,690 S *	9/2000	Miranda	.....	D26/84
D441,120 S *	4/2001	Hsu	.....	D26/85
D441,895 S	5/2001	Orozco		
D444,904 S	7/2001	Orozco		
D539,963 S *	4/2007	Hsu	.....	D26/88

D577,850 S *	9/2008	Nicholas	.....	D26/88
D587,842 S	3/2009	Rhodes		
D607,137 S *	12/2009	Chen	.....	D26/88
D665,941 S	8/2012	Orozco		
D666,765 S *	9/2012	Orozco	.....	D26/90
D668,813 S	10/2012	Orozco		

\* cited by examiner

*Primary Examiner* — Clare E Heflin

(74) *Attorney, Agent, or Firm* — Nelson Mullins Riley & Scarborough LLP

(57) **CLAIM**

The ornamental design for a light fixture, substantially as shown and described.

**DESCRIPTION**

FIG. 1 is a perspective view of a light fixture embodying the design of the present invention.

FIG. 2 is a front side elevational view of the light fixture illustrated in FIG. 1.

FIG. 3 is a back side elevational view of the light fixture illustrated in FIG. 1.

FIG. 4 is a top view of the light fixture illustrated in FIG. 1.

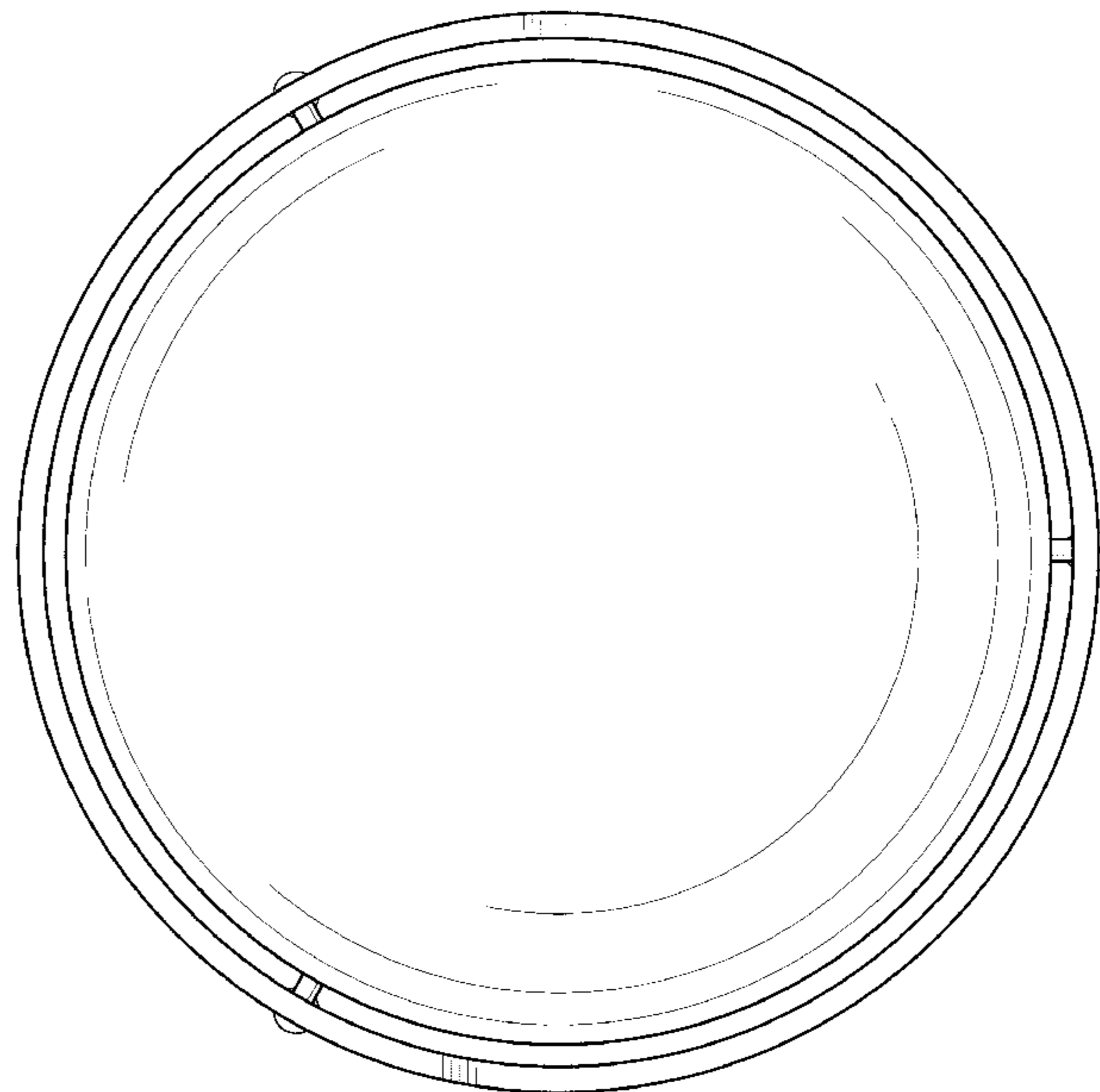
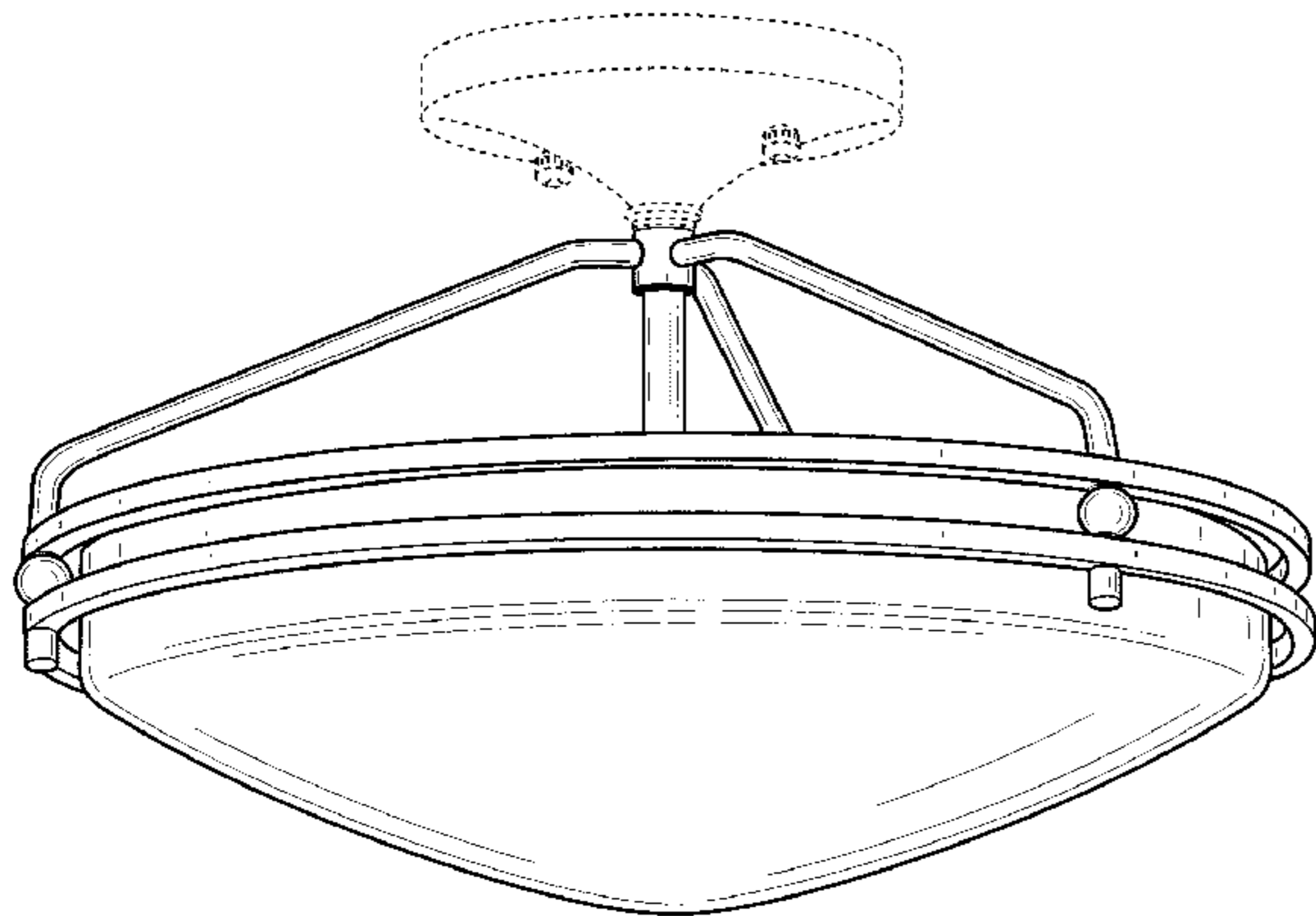
FIG. 5 is a bottom view of the light fixture illustrated in FIG. 1.

FIG. 6 is a left side elevational view of the light fixture illustrated in FIG. 1; and,

FIG. 7 is a right side elevational view of the light fixture illustrated in FIG. 1.

The portions shown in broken lines form no part of the claimed design.

**1 Claim, 7 Drawing Sheets**



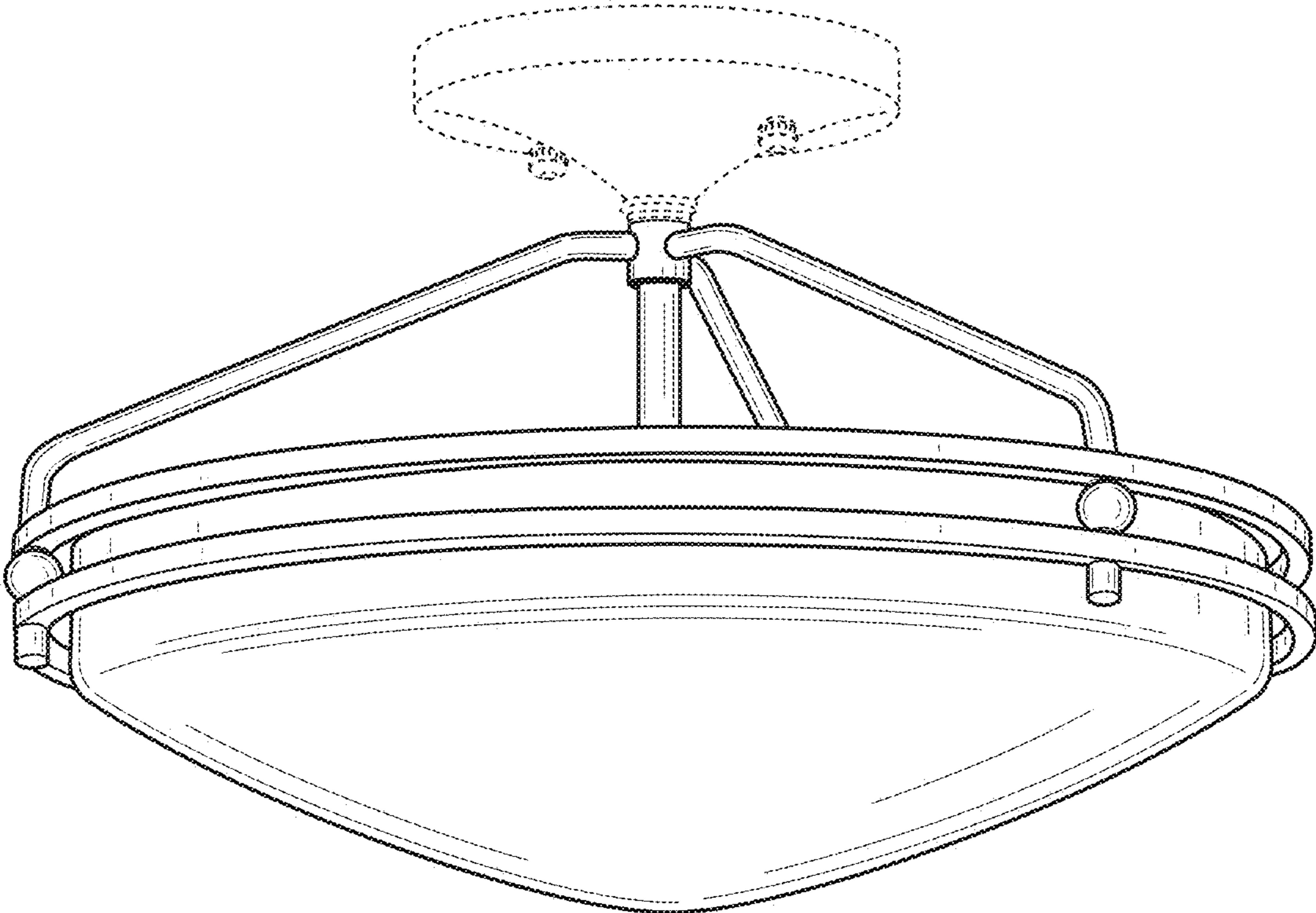


FIG. 1

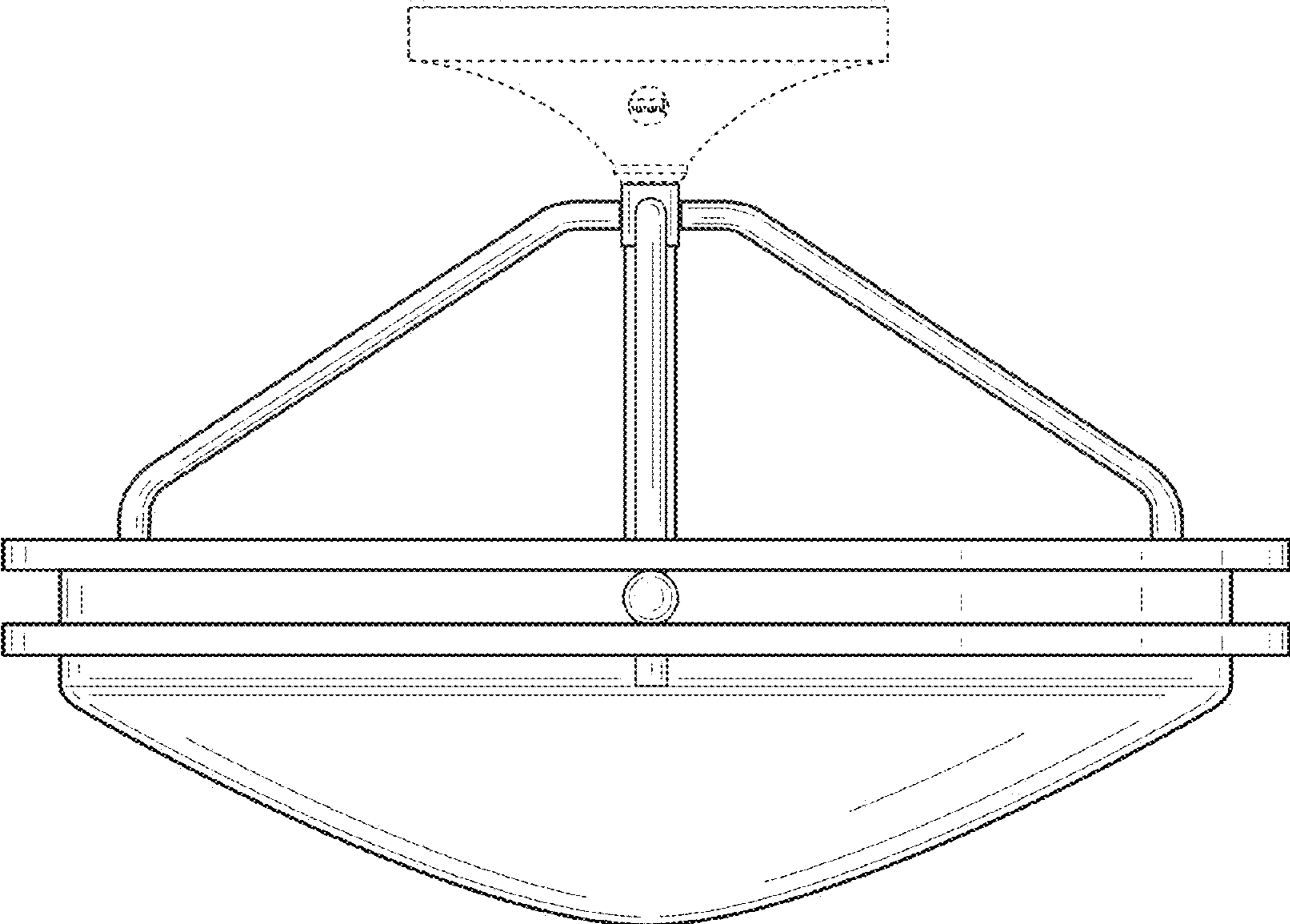


FIG. 2

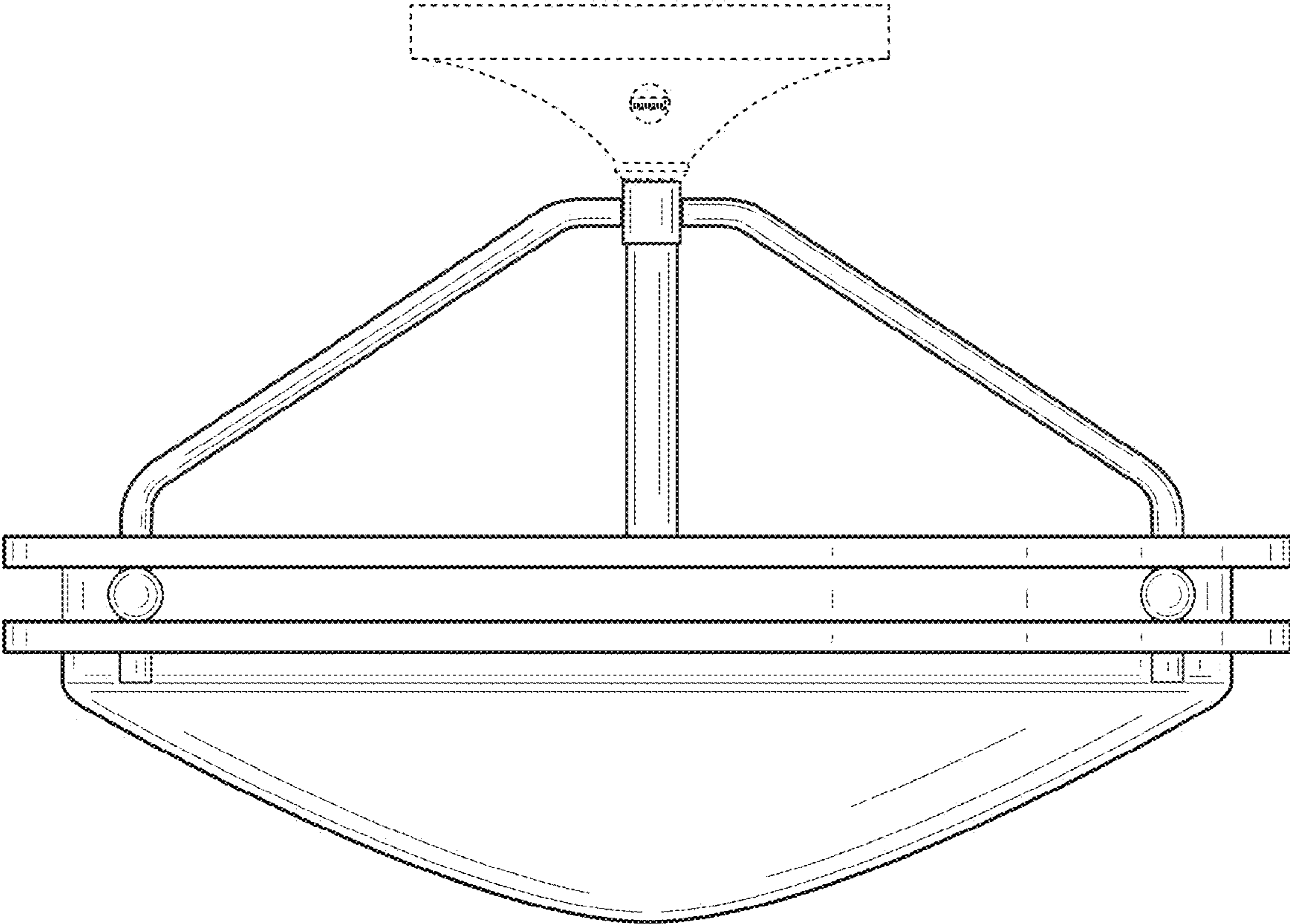


FIG. 3

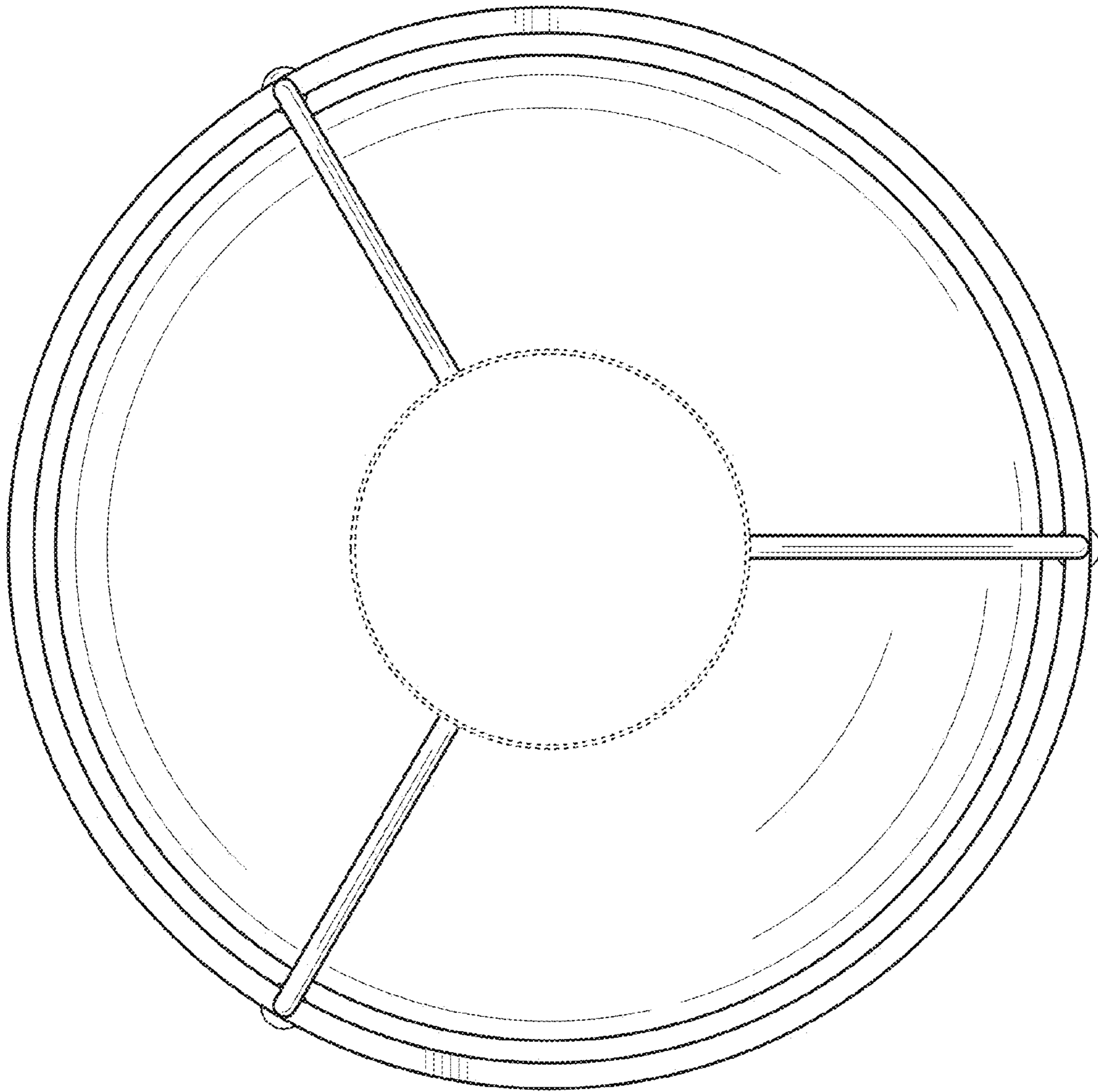


FIG. 4

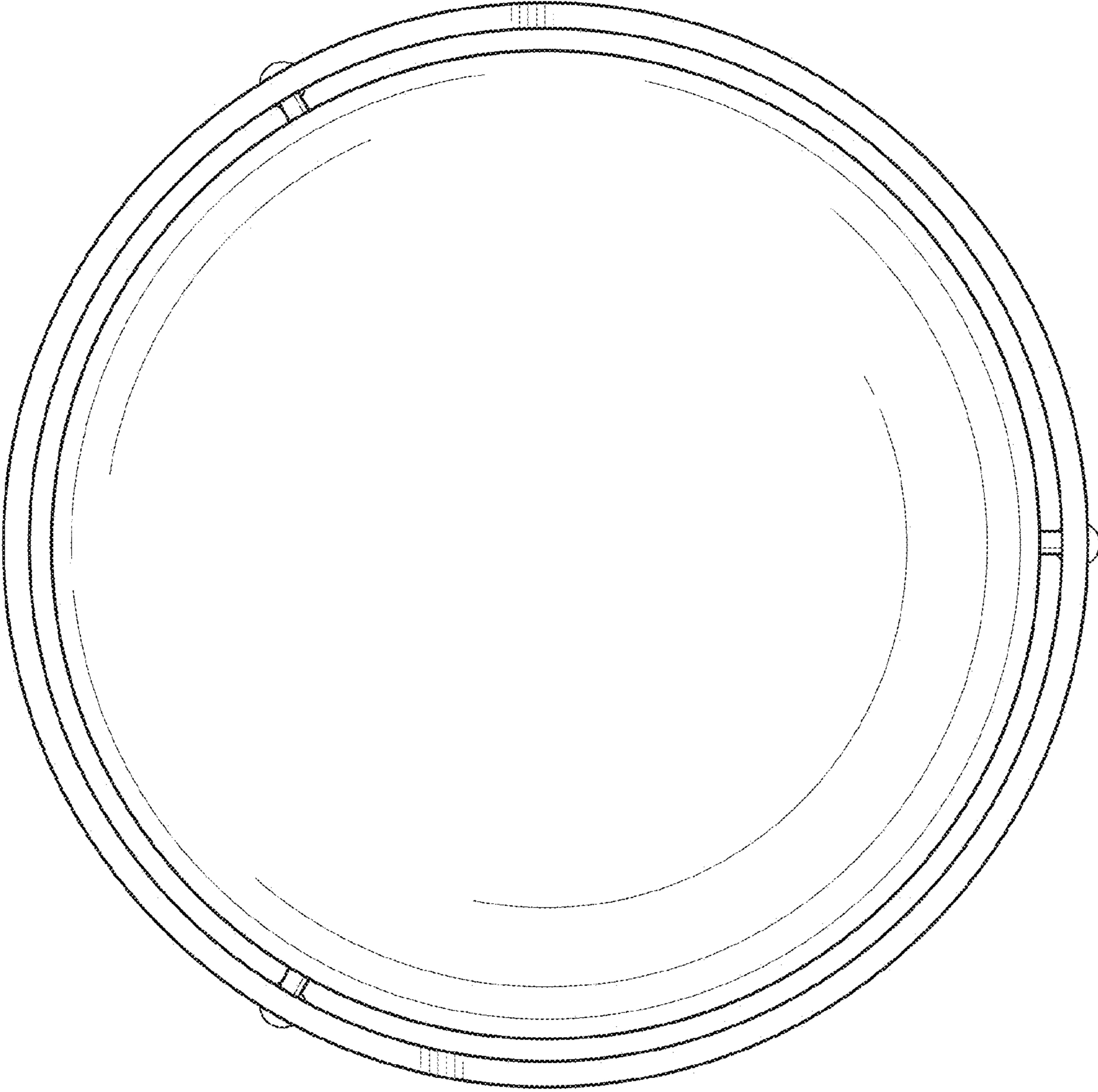


FIG. 5

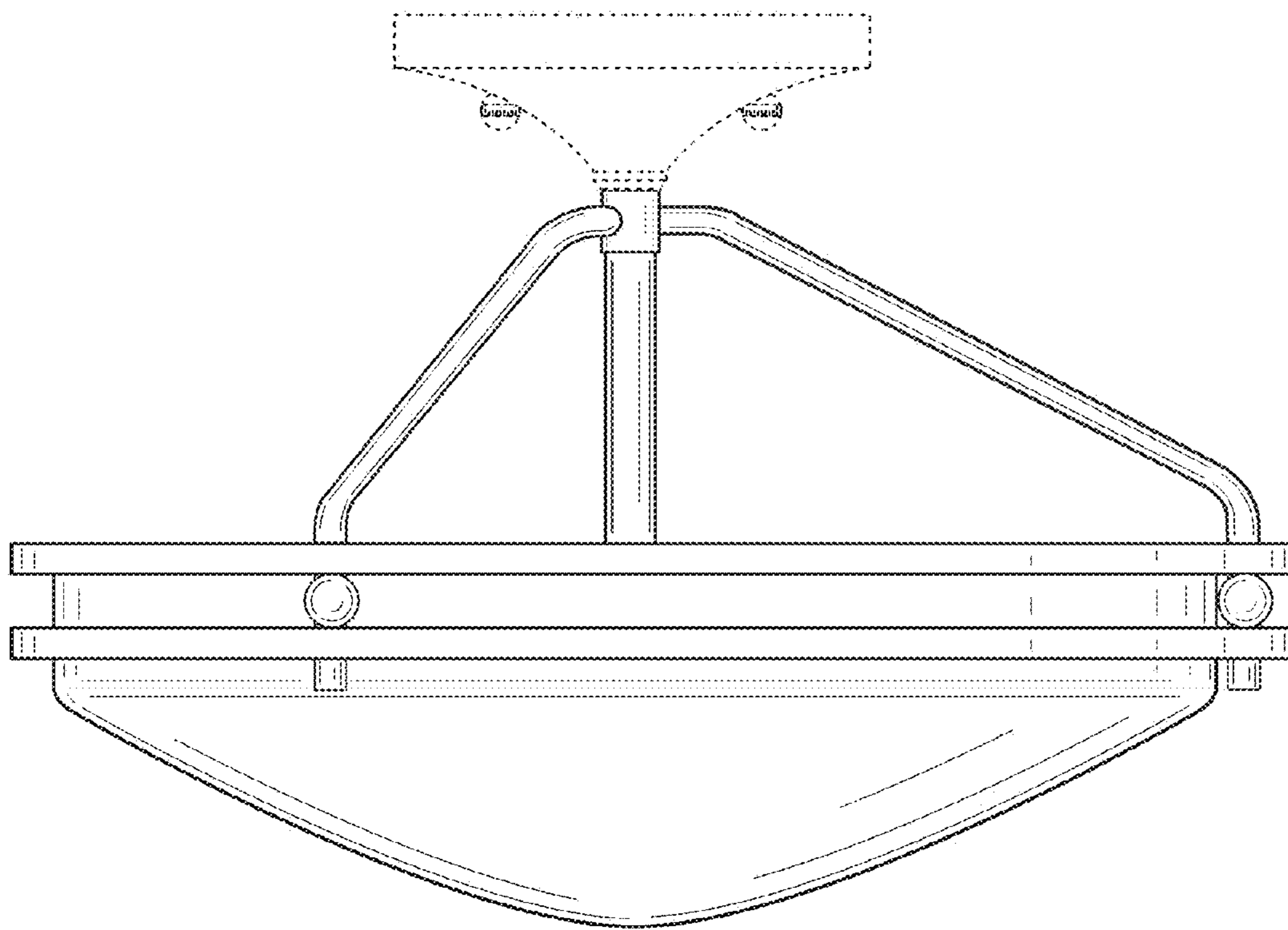


FIG. 6

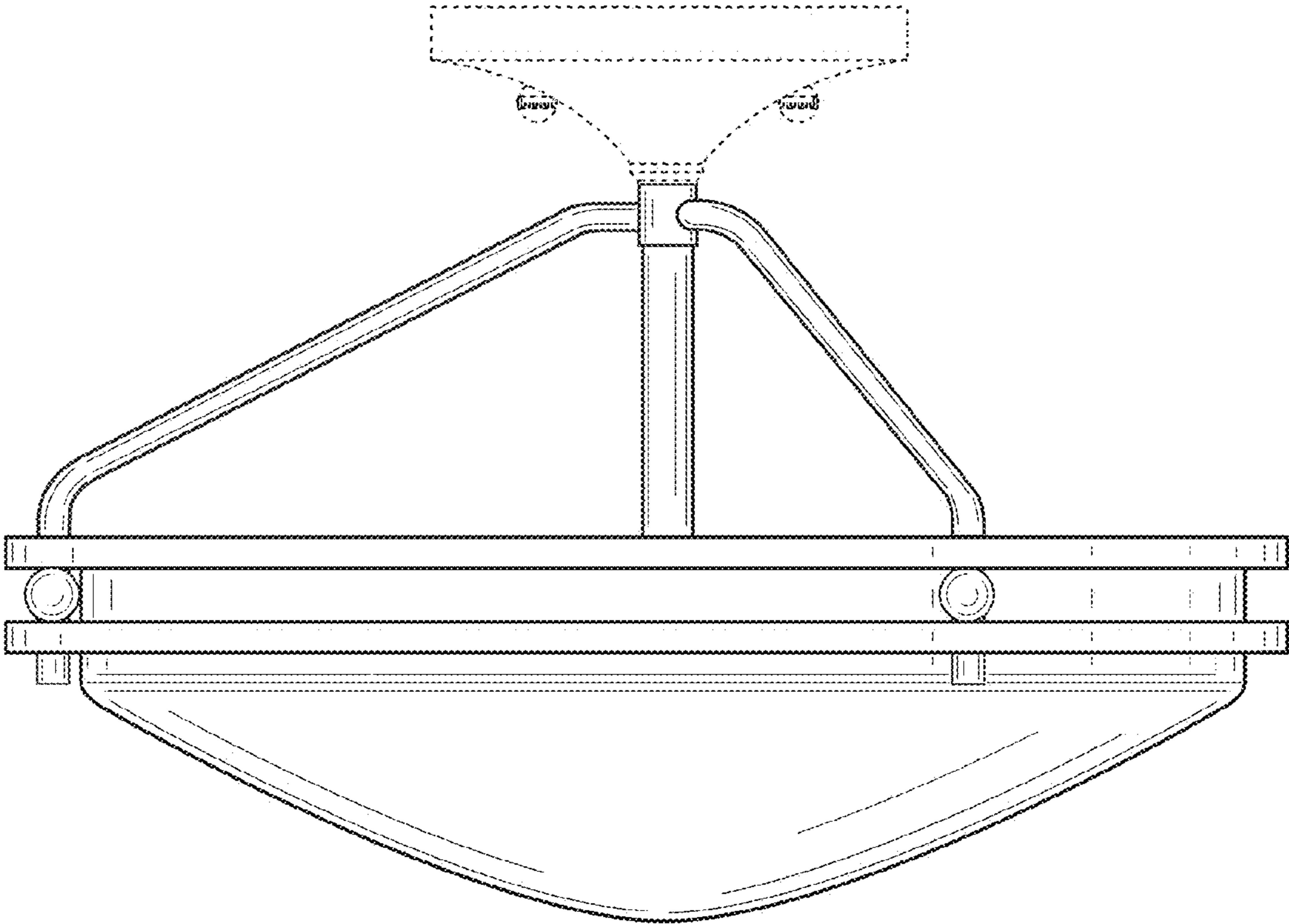


FIG. 7