



US00D692603S

(12) **United States Design Patent**
Kamm

(10) **Patent No.:** **US D692,603 S**

(45) **Date of Patent:** **** *Oct. 29, 2013**

(54) **FLASHLIGHT**

(75) Inventor: **Benjamin Kamm**, Wiesbaden (DE)

(73) Assignee: **Dieter Rix**, Coesfeld (DE)

(*) Notice: This patent is subject to a terminal disclaimer.

(**) Term: **14 Years**

(21) Appl. No.: **29/420,339**

(22) Filed: **May 8, 2012**

(30) **Foreign Application Priority Data**

Nov. 8, 2011 (EM) 001944042

(51) **LOC (9) Cl.** **26-02**

(52) **U.S. Cl.**
USPC **D26/49**

(58) **Field of Classification Search**
USPC D26/37, 38, 46, 49; 362/157, 158, 184,
362/194-196, 202-208
See application file for complete search history.

(56) **References Cited**

U.S. PATENT DOCUMENTS

D263,170 S	*	2/1982	Maglica	D26/49
D394,321 S	*	5/1998	Chiu	D26/37
D427,700 S	*	7/2000	Parsons	D26/49
D478,391 S	*	8/2003	Saunders	D26/49
D497,020 S	*	10/2004	Lee	D26/49
D527,481 S	*	8/2006	Opolka	D26/49
D530,439 S	*	10/2006	Maglica	D26/49
D533,674 S	*	12/2006	Julius et al.	D26/49

D557,836 S	*	12/2007	Shiu	D26/37
D557,840 S	*	12/2007	Shiu	D26/37
D576,757 S	*	9/2008	Hesse et al.	D26/49
D577,845 S	*	9/2008	Shiu	D26/49
D580,080 S	*	11/2008	Ho	D26/49
D601,285 S	*	9/2009	Chen	D26/49
D624,677 S	*	9/2010	Deguglimo et al.	D26/49
D629,542 S	*	12/2010	Robinson	D26/49
D629,545 S	*	12/2010	Deguglimo et al.	D26/49
D629,546 S	*	12/2010	Deguglimo et al.	D26/49
D647,232 S	*	10/2011	Liu	D26/49

* cited by examiner

Primary Examiner — Stella Reid

Assistant Examiner — Carissa C Fitts

(74) *Attorney, Agent, or Firm* — Hudak, Shunk & Farine Co. LPA

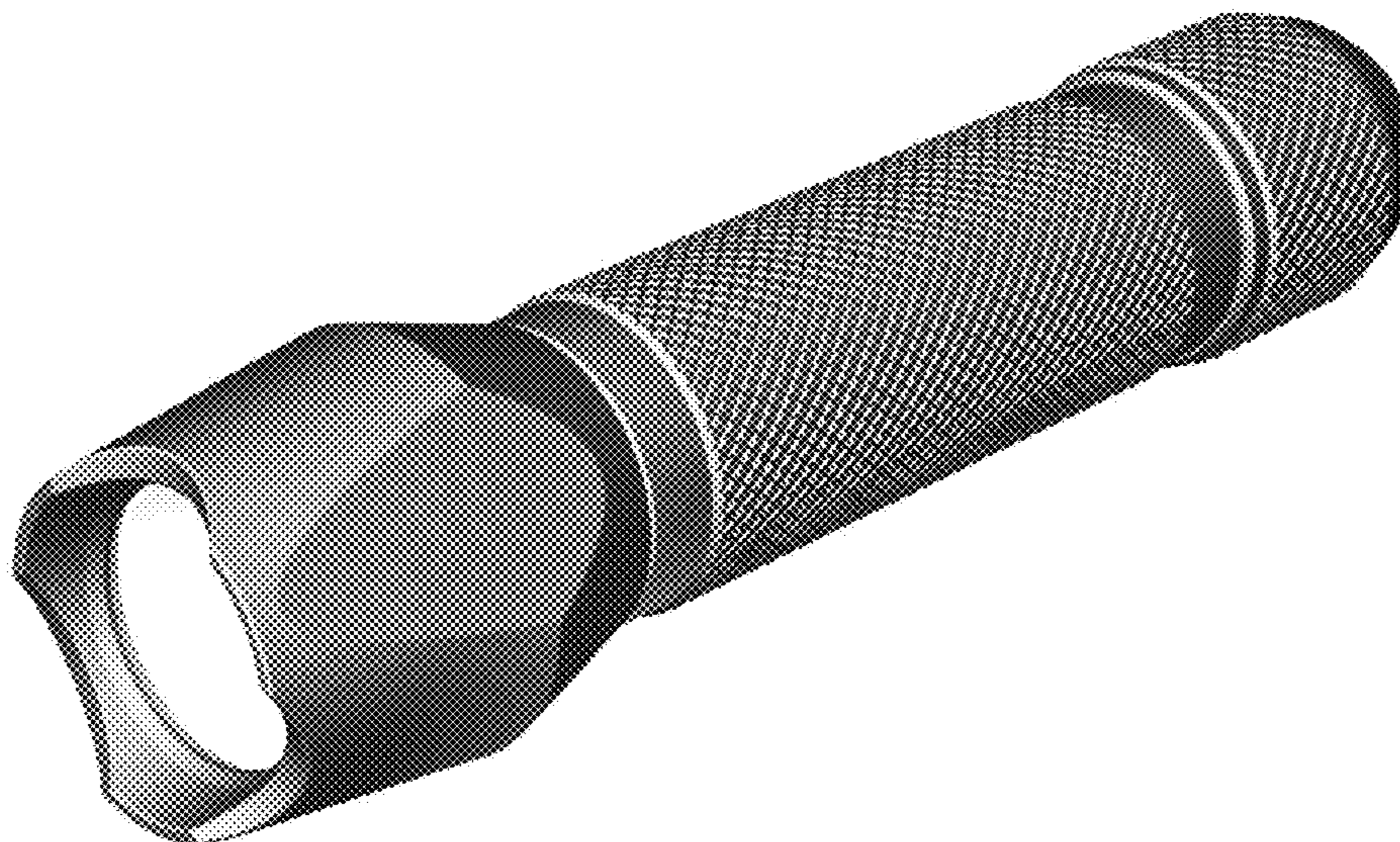
(57) **CLAIM**

The ornamental design for a “flashlight,” as shown and described.

DESCRIPTION

FIG. 1 is an enlarged front view of a flashlight showing my new design;
FIG. 2 is an enlarged rear view thereof;
FIG. 3 is a side view thereof;
FIG. 4 is a further side view thereof with a partial right axial rotation as compared to FIG. 3;
FIG. 5 is a side view thereof axially rotated 180° from the view illustrated in FIG. 3;
FIG. 6 is a front perspective thereof; and,
FIG. 7 is a rear perspective view thereof.
The broken line showing is for environmental purposes only and forms no part of the claimed design.

1 Claim, 7 Drawing Sheets



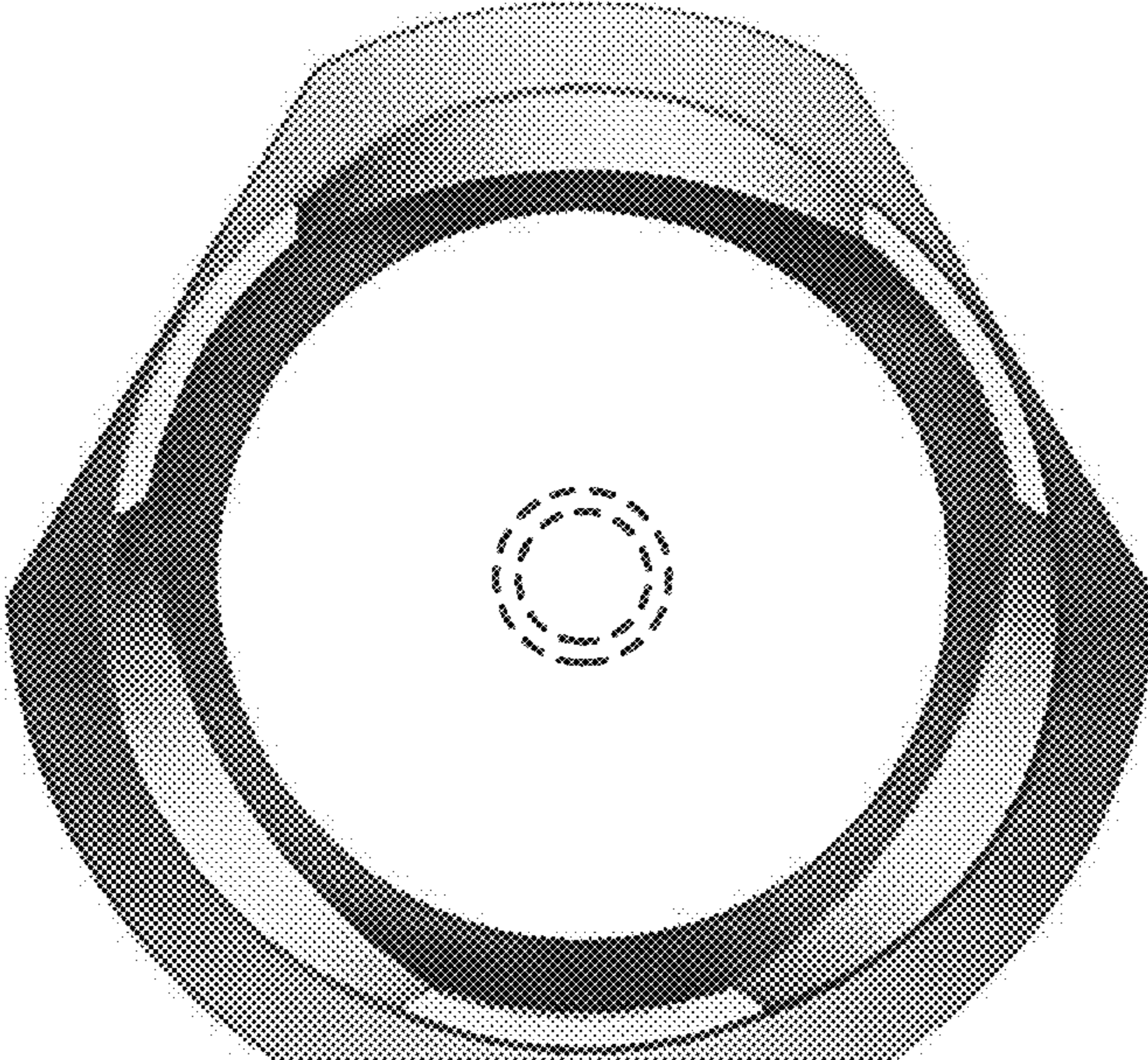


FIG. 1

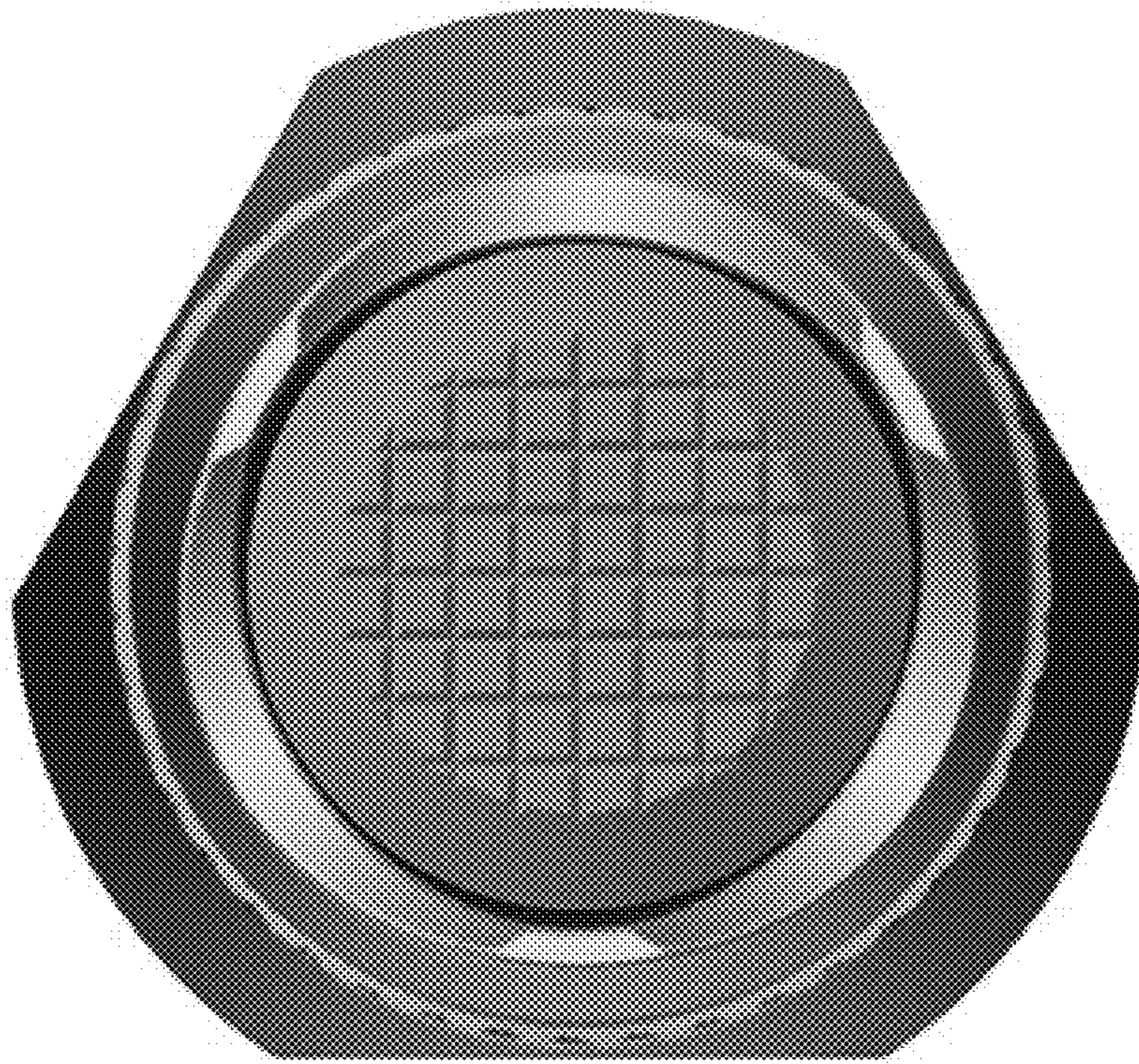


FIG. 2

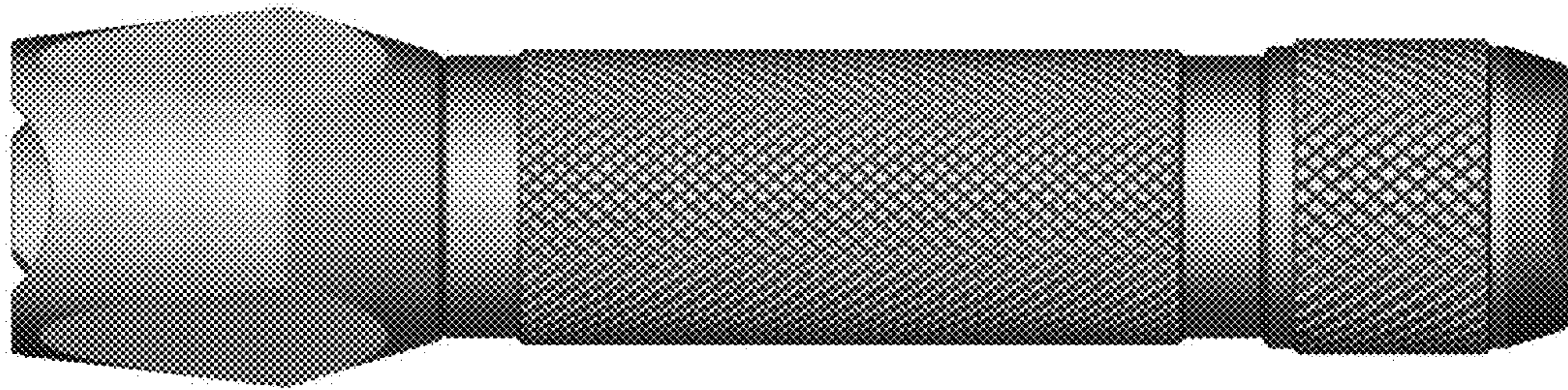


FIG. 3

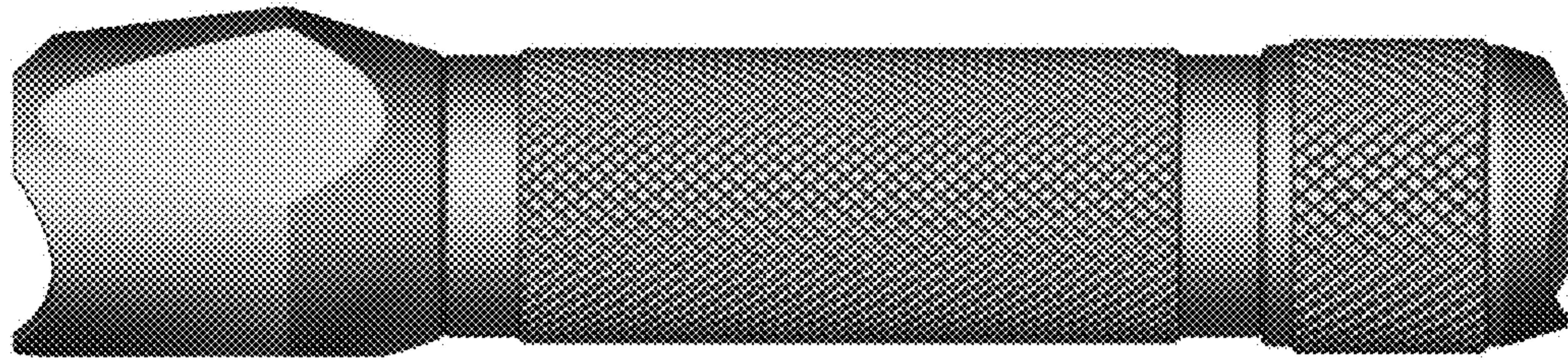


FIG. 4

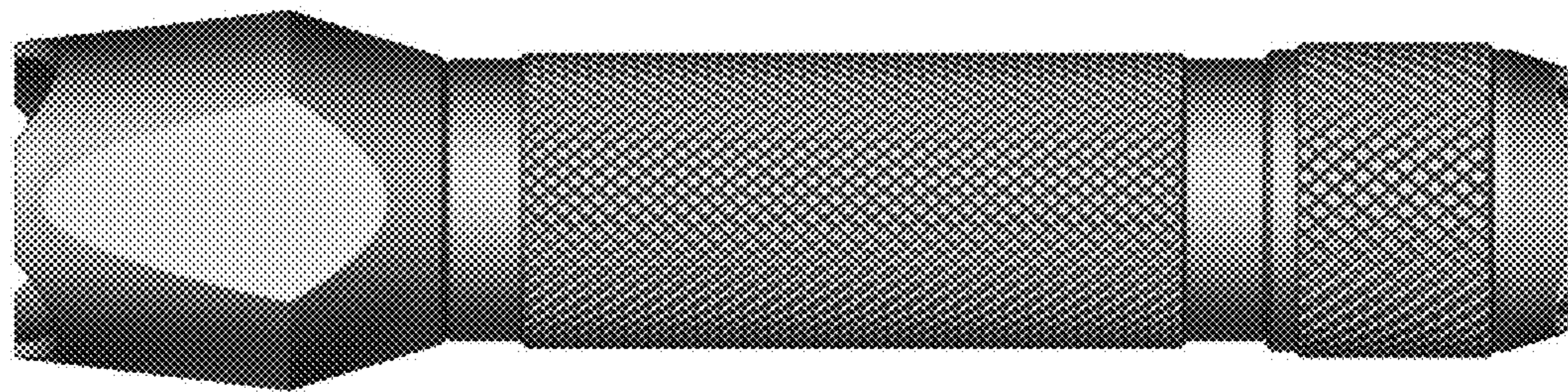


FIG. 5

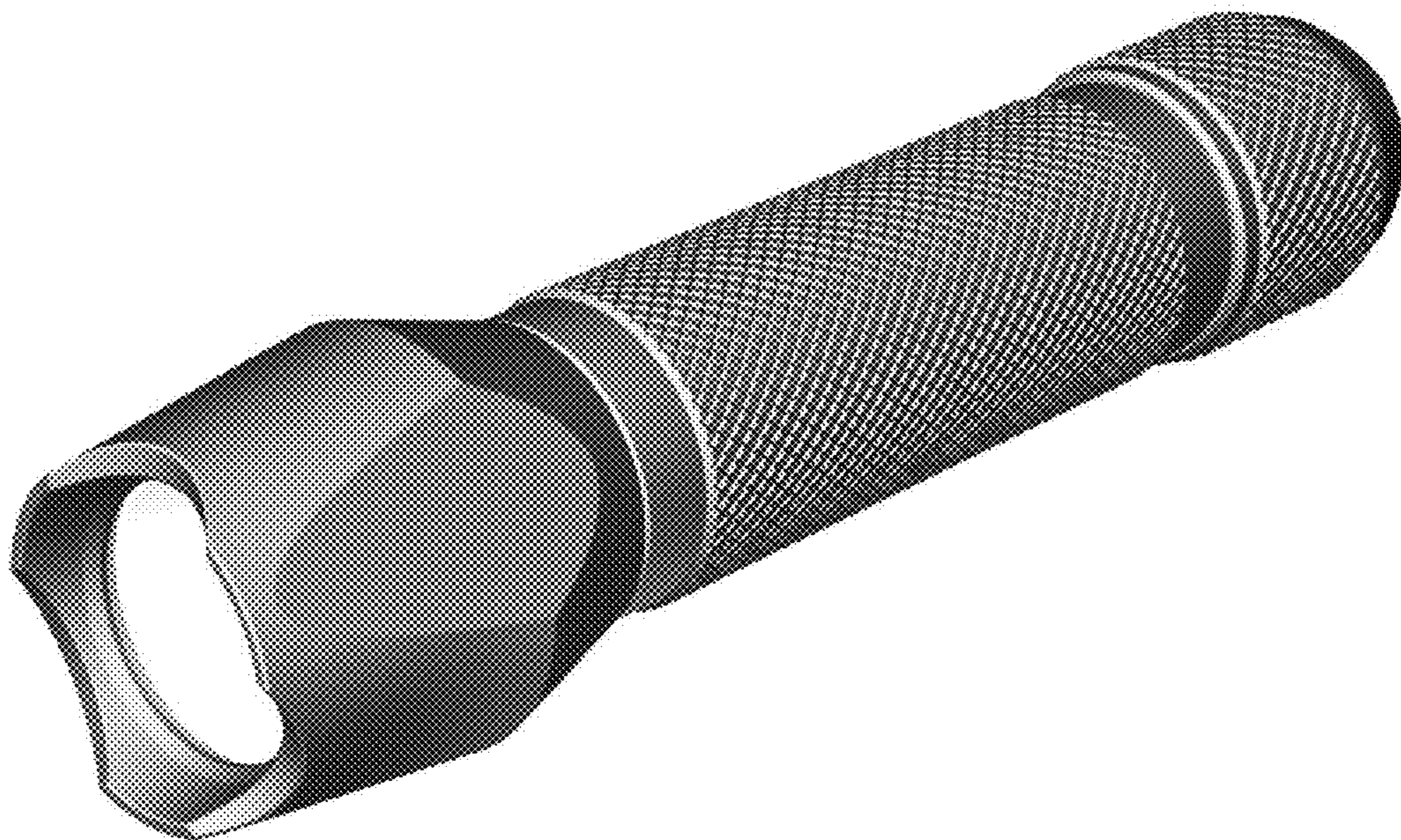


FIG. 6

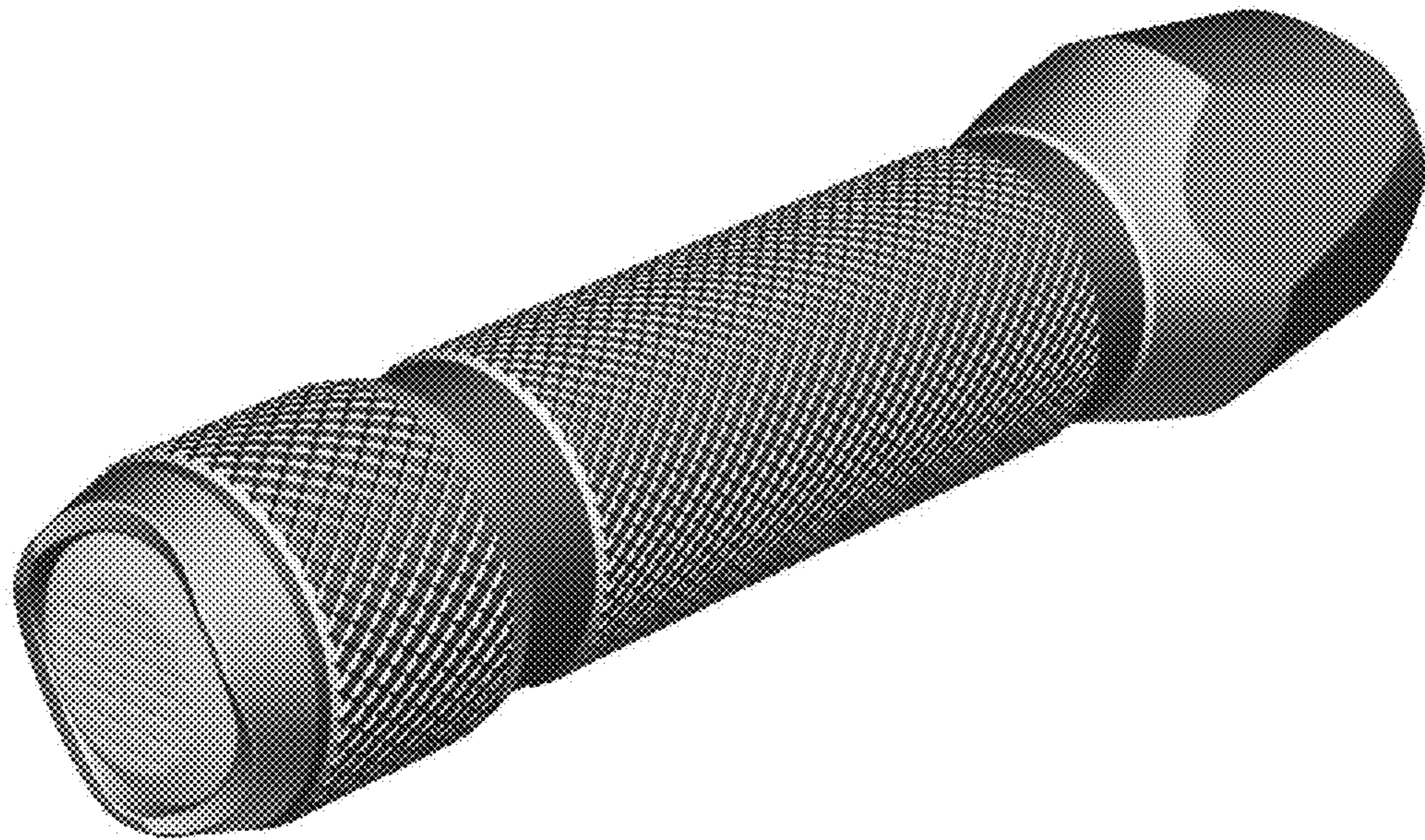


FIG. 7