

US00D692601S

(12) **United States Design Patent**
Kamm

(10) **Patent No.:** **US D692,601 S**

(45) **Date of Patent:** **** *Oct. 29, 2013**

(54) **FLASHLIGHT**

(75) **Inventor:** **Benjamin Kamm**, Wiesbaden (DE)

(73) **Assignee:** **Dieter Rix**, Coesfeld (DE)

(*) **Notice:** This patent is subject to a terminal disclaimer.

(**) **Term:** **14 Years**

(21) **Appl. No.:** **29/420,329**

(22) **Filed:** **May 8, 2012**

(30) **Foreign Application Priority Data**

Nov. 8, 2011 (EM) 001944042

(51) **LOC (9) Cl.** **26-02**

(52) **U.S. Cl.**
USPC **D26/49**

(58) **Field of Classification Search**
USPC D26/37, 38, 46, 49; 362/157, 158, 184,
362/194-196, 202-208
See application file for complete search history.

(56) **References Cited**

U.S. PATENT DOCUMENTS

| | | | | |
|--------------|---------|---------------|-------|--------|
| D263,170 S * | 2/1982 | Maglica | | D26/49 |
| D394,321 S * | 5/1998 | Chiu | | D26/37 |
| D427,700 S * | 7/2000 | Parsons | | D26/49 |
| D478,391 S * | 8/2003 | Saunders | | D26/49 |
| D497,020 S * | 10/2004 | Lee | | D26/49 |
| D527,481 S * | 8/2006 | Opolka | | D26/49 |
| D530,439 S * | 10/2006 | Maglica | | D26/49 |
| D533,674 S * | 12/2006 | Julius et al. | | D26/49 |

| | | | | |
|--------------|---------|------------------|-------|--------|
| D557,836 S * | 12/2007 | Shiu | | D26/37 |
| D557,840 S * | 12/2007 | Shiu | | D26/37 |
| D576,757 S * | 9/2008 | Hesse et al. | | D26/49 |
| D577,845 S * | 9/2008 | Shiu | | D26/49 |
| D580,080 S * | 11/2008 | Ho | | D26/49 |
| D601,285 S * | 9/2009 | Chen | | D26/49 |
| D624,677 S * | 9/2010 | Deguglimo et al. | | D26/49 |
| D629,542 S * | 12/2010 | Robinson | | D26/49 |
| D629,545 S * | 12/2010 | Deguglimo et al. | | D26/49 |
| D629,546 S * | 12/2010 | Deguglimo et al. | | D26/49 |
| D647,232 S * | 10/2011 | Liu | | D26/49 |

* cited by examiner

Primary Examiner — Stella Reid

Assistant Examiner — Carissa C Fitts

(74) *Attorney, Agent, or Firm* — Hudak, Shunk & Farine Co. LPA

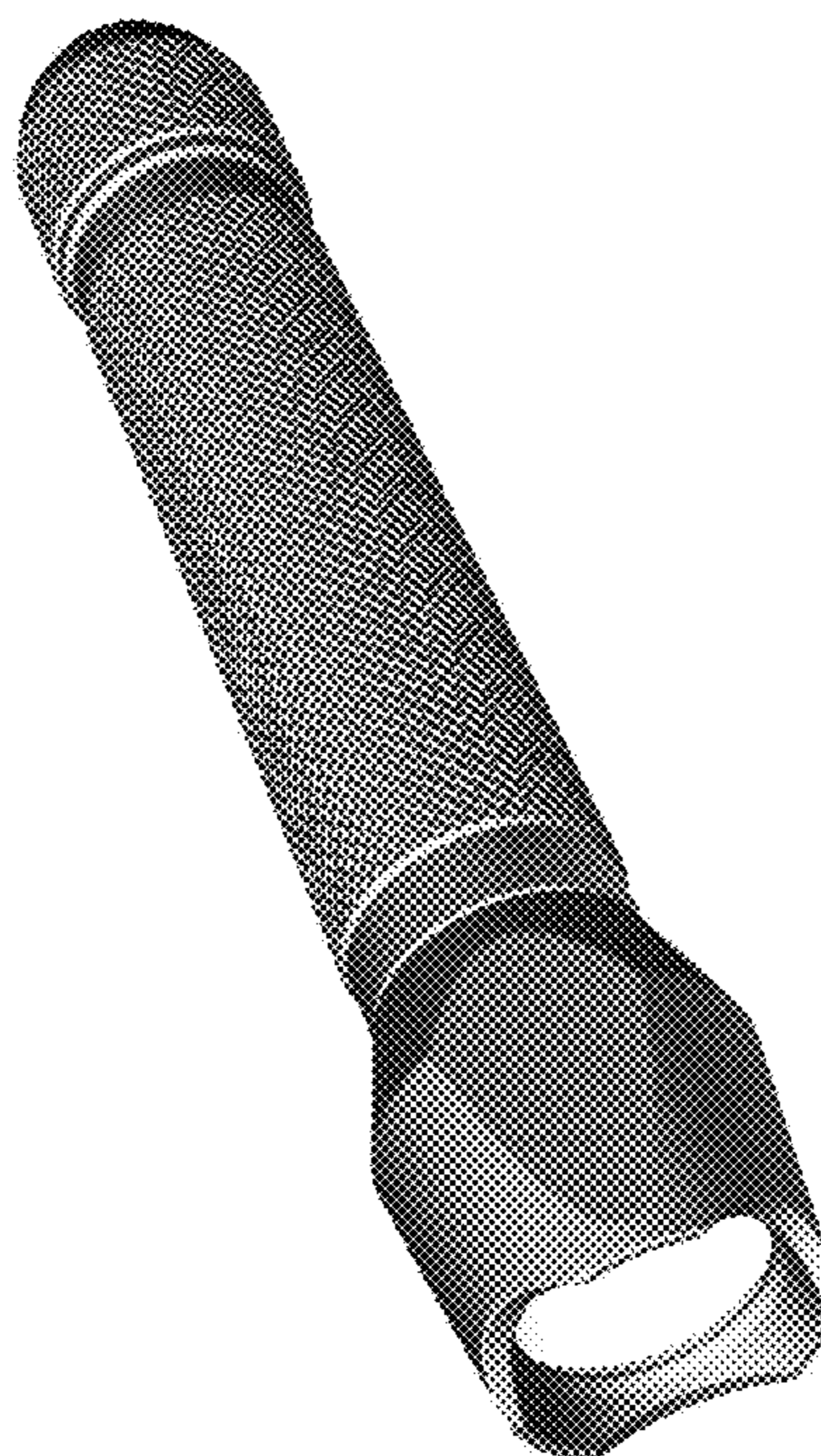
(57) **CLAIM**

The ornamental design for a “flashlight,” as shown and described.

DESCRIPTION

FIG. 1 is an enlarged front view of a flashlight showing my new design;
FIG. 2 is an enlarged rear view thereof;
FIG. 3 is a side view thereof;
FIG. 4 is a further side view thereof with a partial right axial rotation as compared to FIG. 3;
FIG. 5 is a side view thereof axially rotated 180° from the view illustrated in FIG. 3;
FIG. 6 is a front perspective thereof; and,
FIG. 7 is a rear perspective view thereof.
The broken line showing is for environmental purposes only and forms no part of the claimed design.

1 Claim, 7 Drawing Sheets



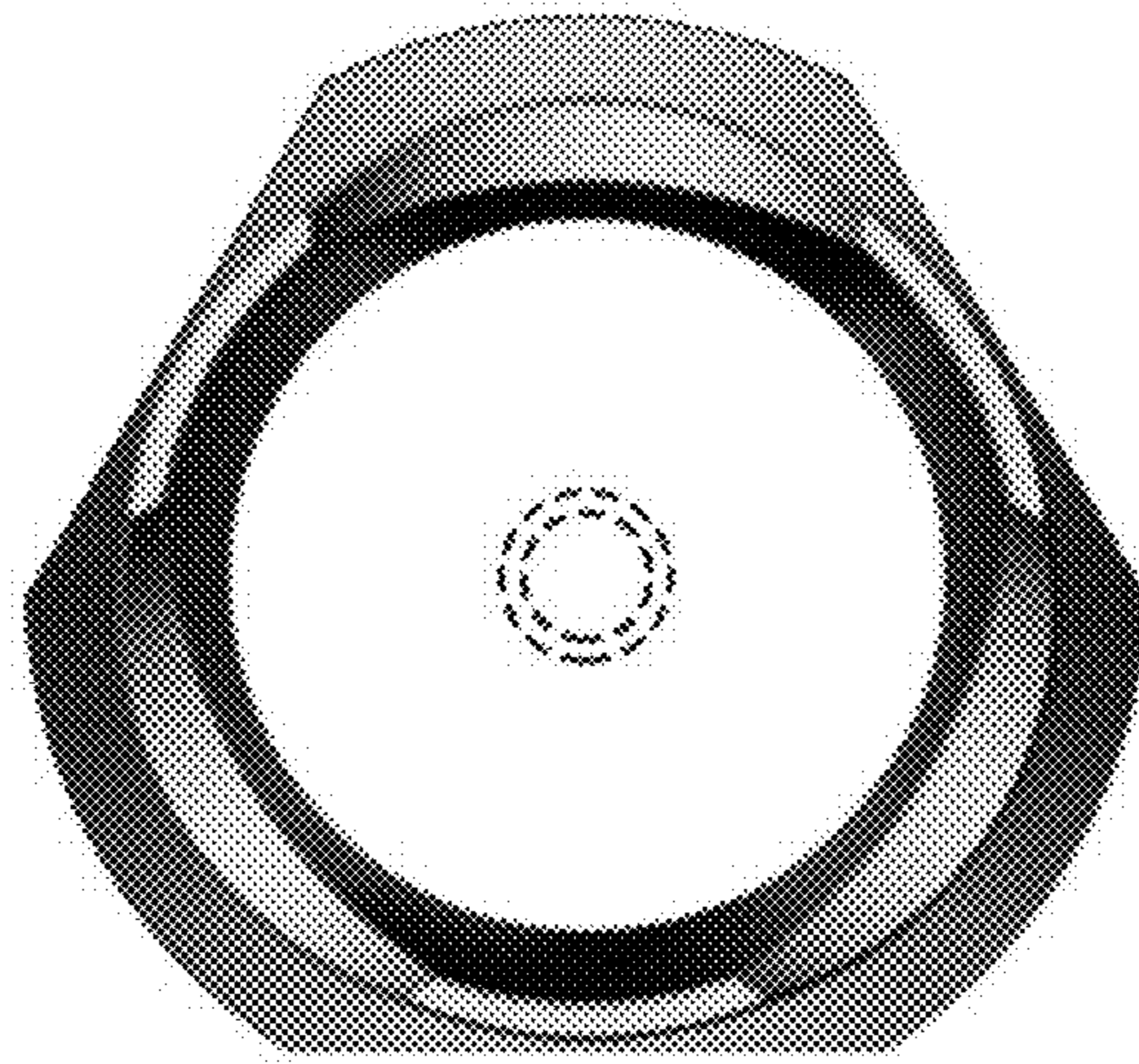


FIG. 1

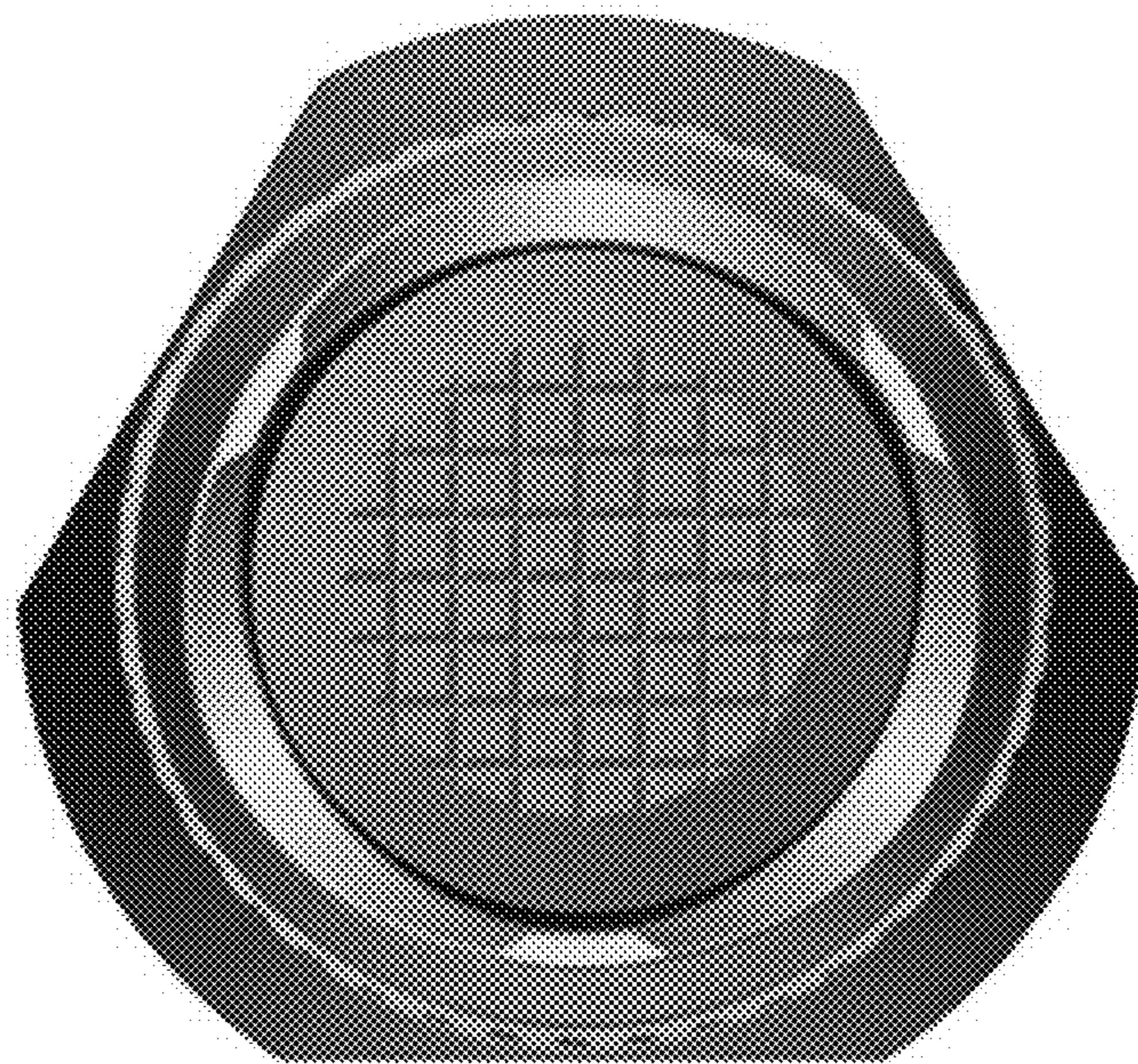


FIG. 2

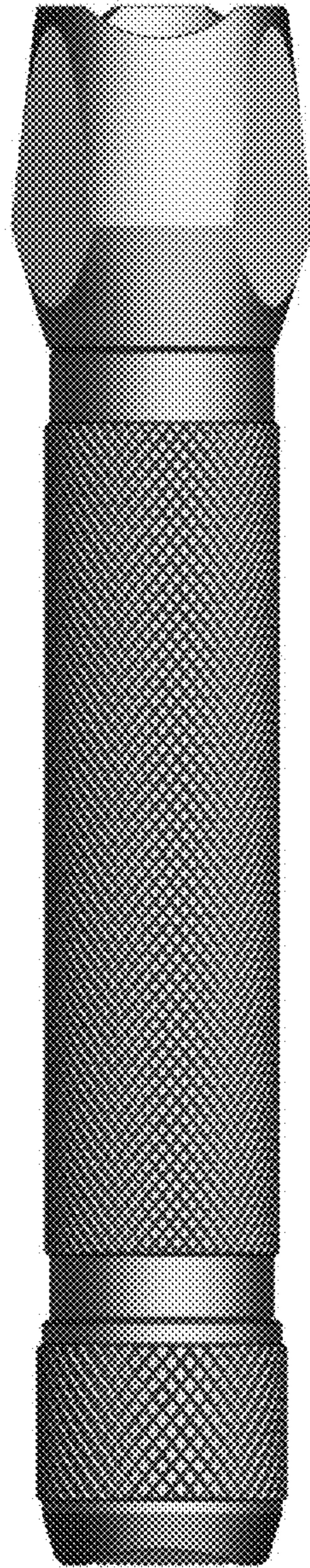


FIG. 3

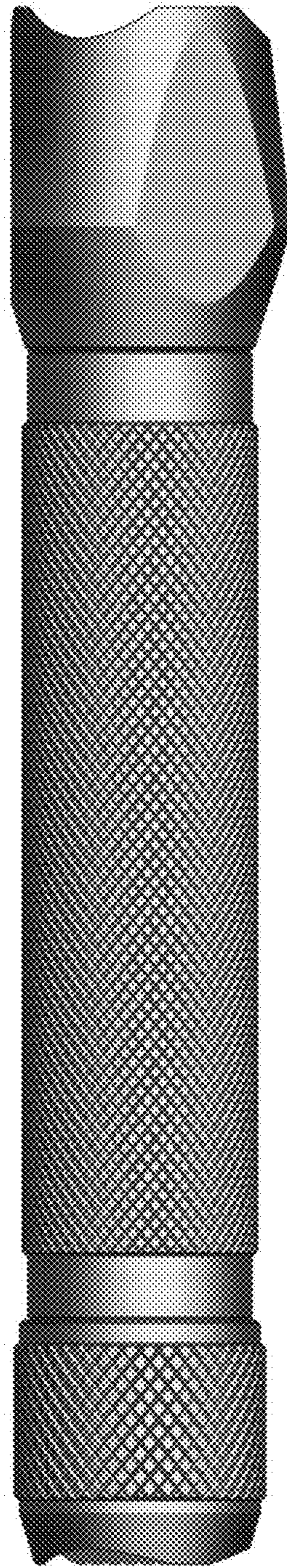


FIG. 4

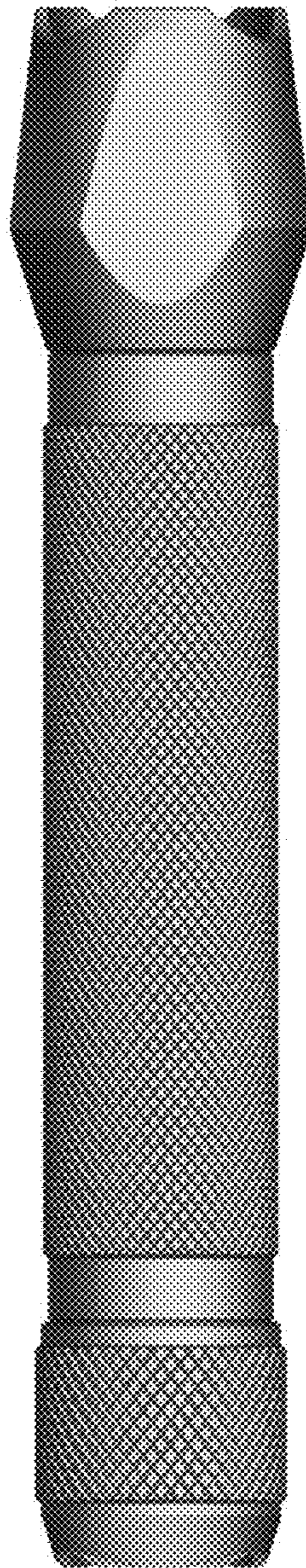


FIG. 5

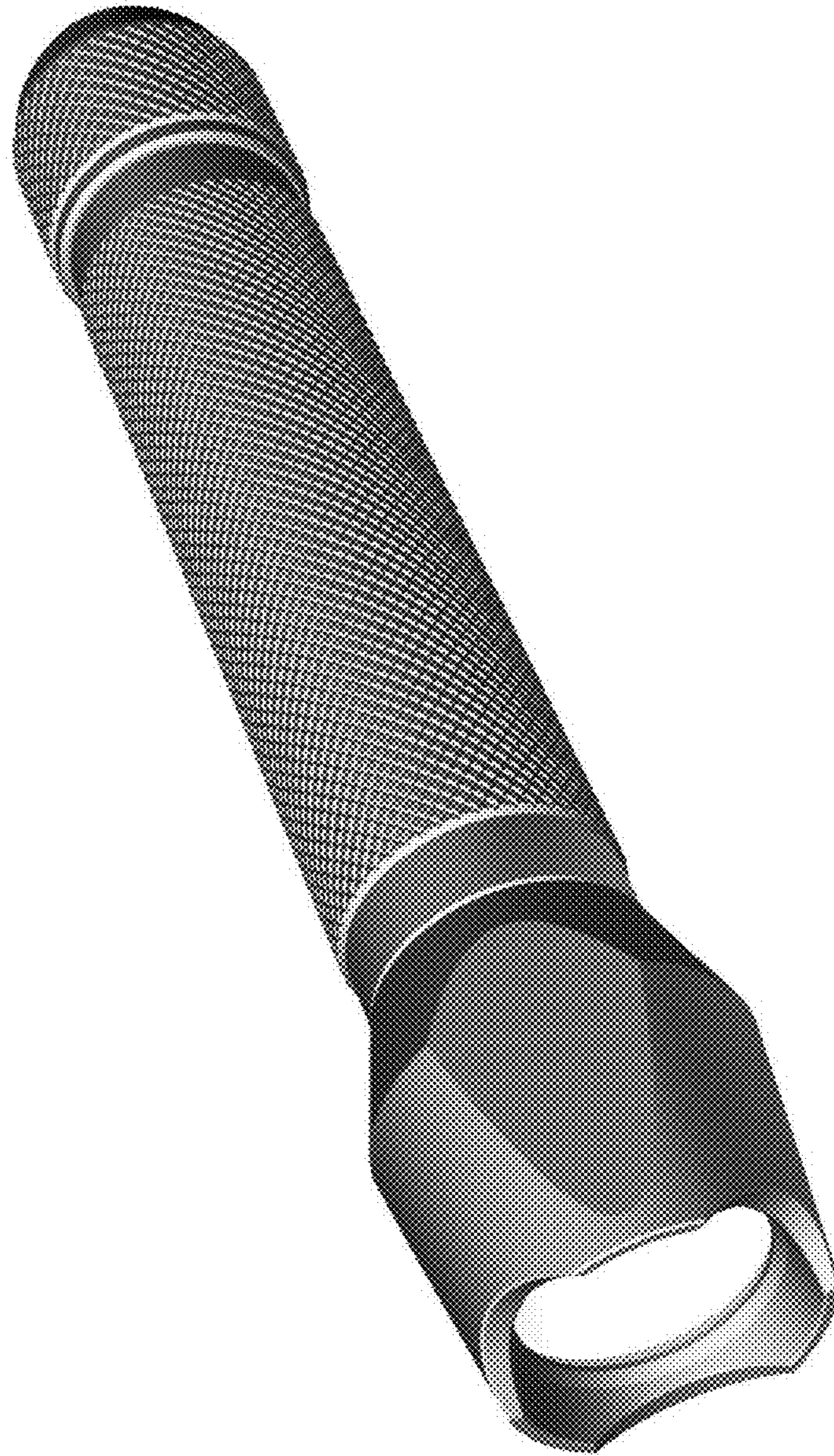


FIG. 6

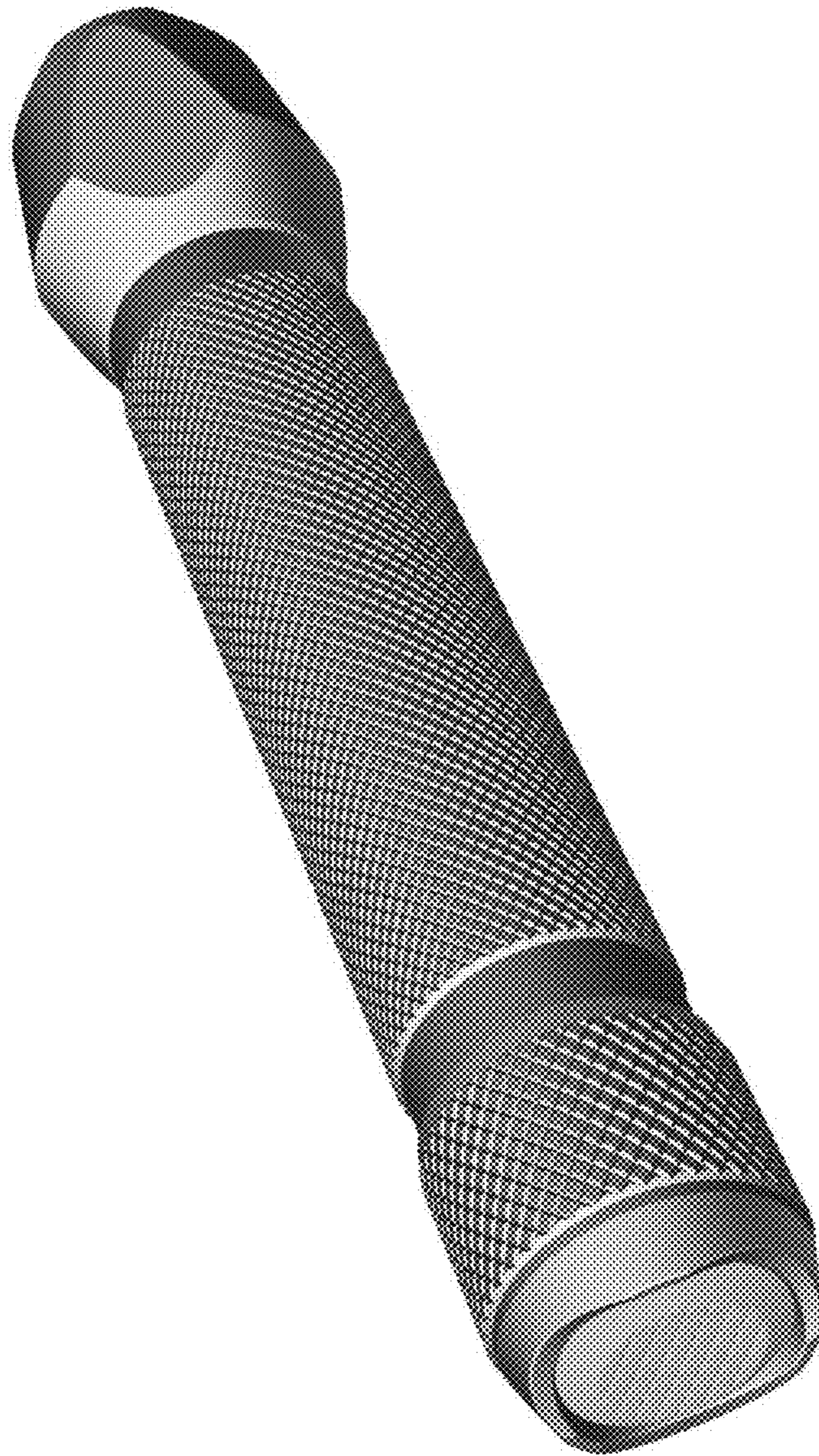


FIG. 7