



US00D692598S

(12) **United States Design Patent**
Davis

(10) **Patent No.:** **US D692,598 S**
(45) **Date of Patent:** **** Oct. 29, 2013**

(54) **VEHICLE HEAD LAMP**

(71) Applicant: **GM Global Technology Operations LLC**, Detroit, MI (US)

(72) Inventor: **Martin J. Davis**, Royal Oak, MI (US)

(73) Assignee: **GM Global Technology Operations LLC**, Detroit, MI (US)

(**) Term: **14 Years**

(21) Appl. No.: **29/441,609**

(22) Filed: **Jan. 8, 2013**

(51) **LOC (9) Cl.** **26-06**

(52) **U.S. Cl.**
USPC **D26/28**

(58) **Field of Classification Search**
USPC D26/28-36; 362/459-468, 475-478,
362/485-487

See application file for complete search history.

(56) **References Cited**

U.S. PATENT DOCUMENTS

D536,113 S * 1/2007 Pfeiffer D26/28
D537,180 S * 2/2007 Hsu D26/28
D556,349 S * 11/2007 Golden et al. D26/28

* cited by examiner

Primary Examiner — Marcus Jackson
(74) *Attorney, Agent, or Firm* — Parks IP Law LLC; Mickki D. Murray

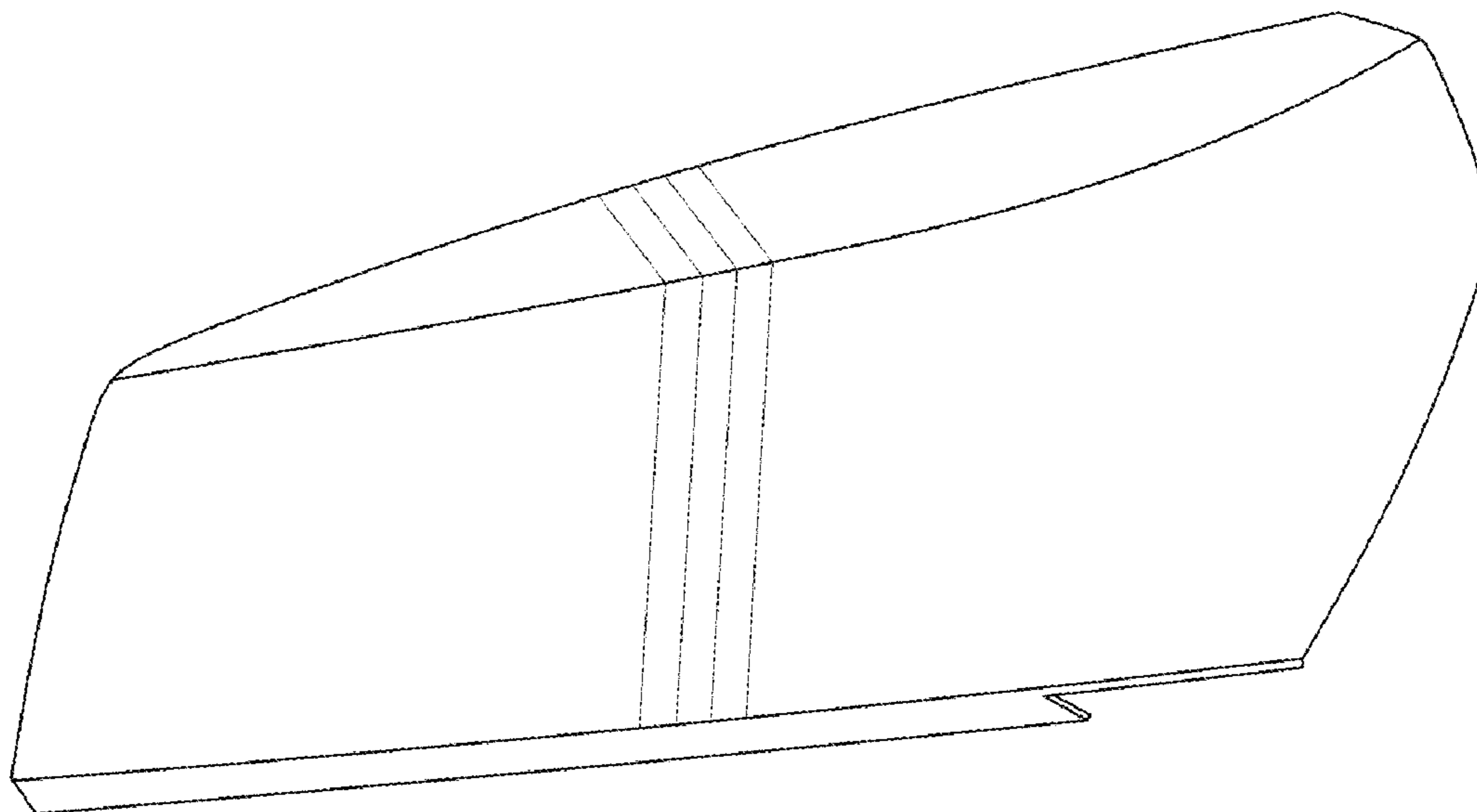
(57) **CLAIM**

The ornamental design for a vehicle head lamp, as shown and described.

DESCRIPTION

FIG. 1 is perspective view of a vehicle head lamp showing the new design;
FIG. 2 is a front view, thereof;
FIG. 3 is a side view, thereof; and,
FIG. 4 is a top plan view, thereof.
In the figures, features shown by broken lines are for illustrative purposes only and form no part of the claimed design.

1 Claim, 1 Drawing Sheet



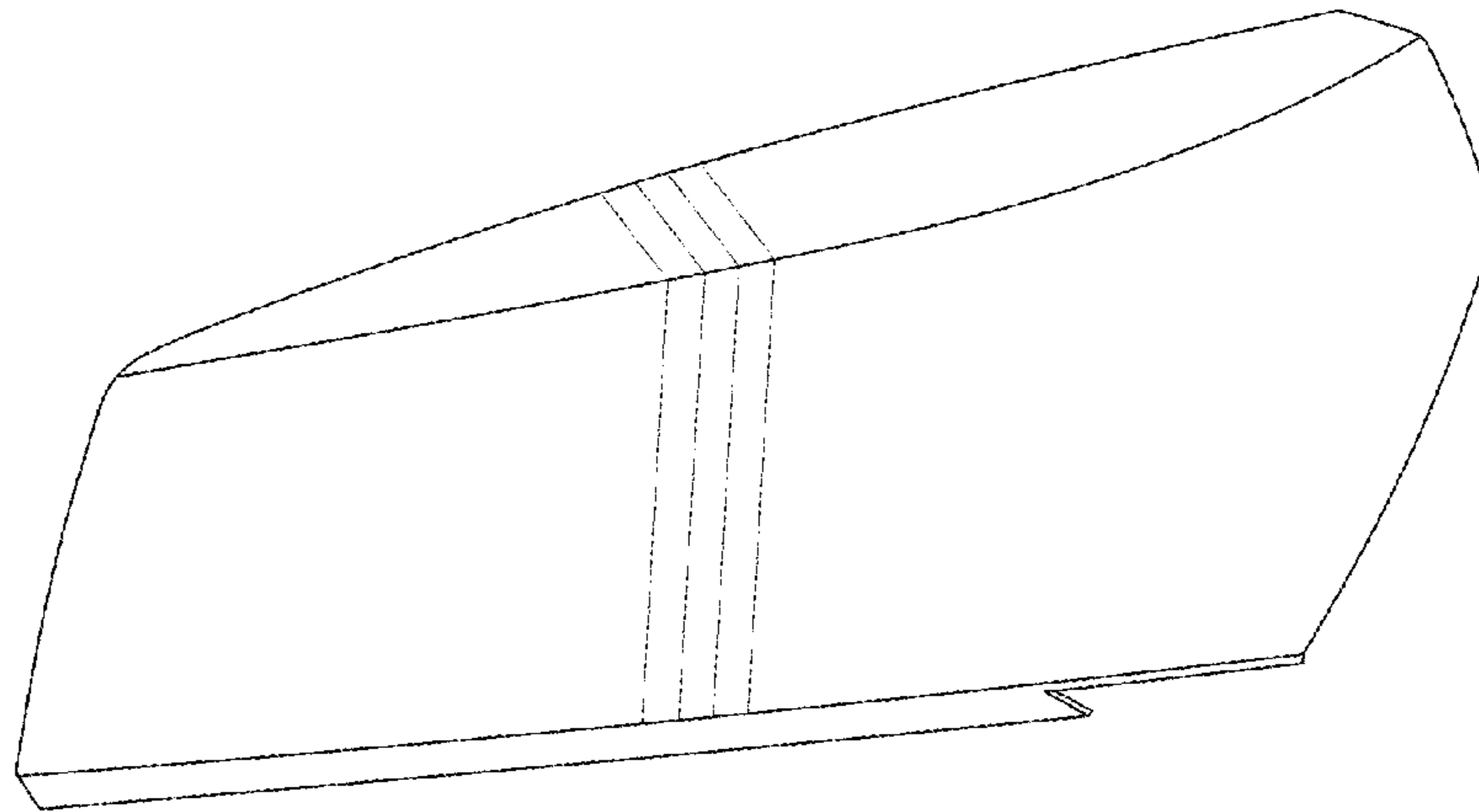


Fig-1

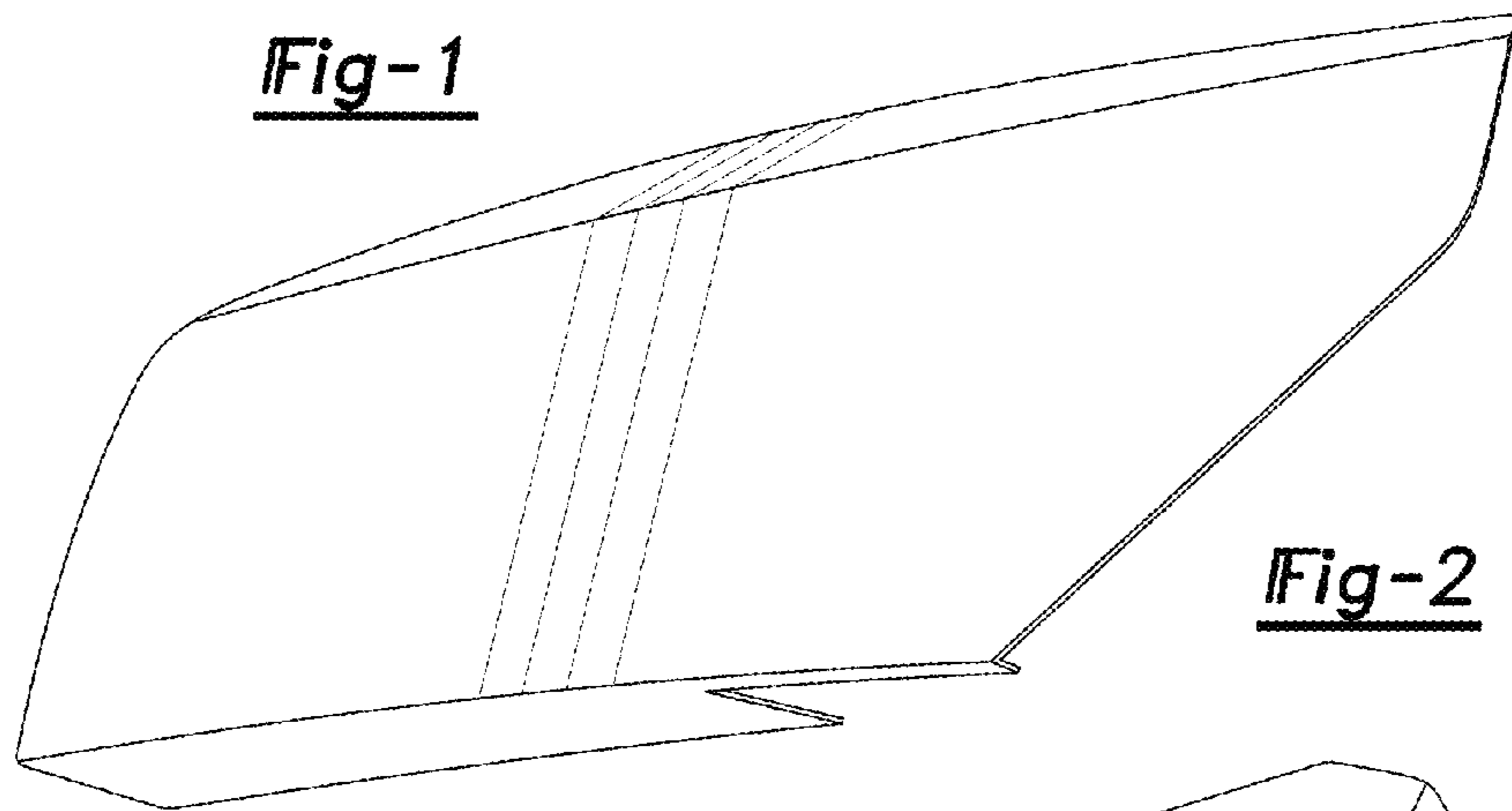


Fig-2

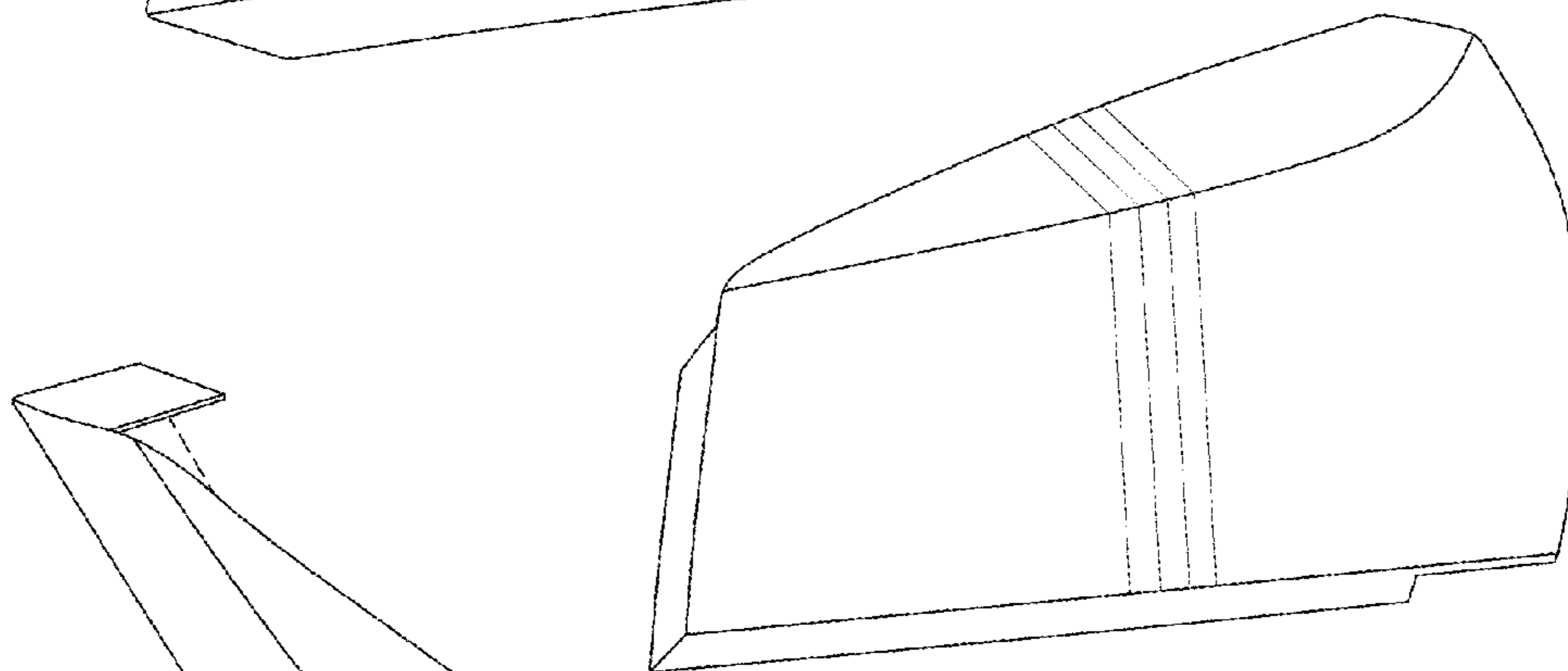


Fig-3

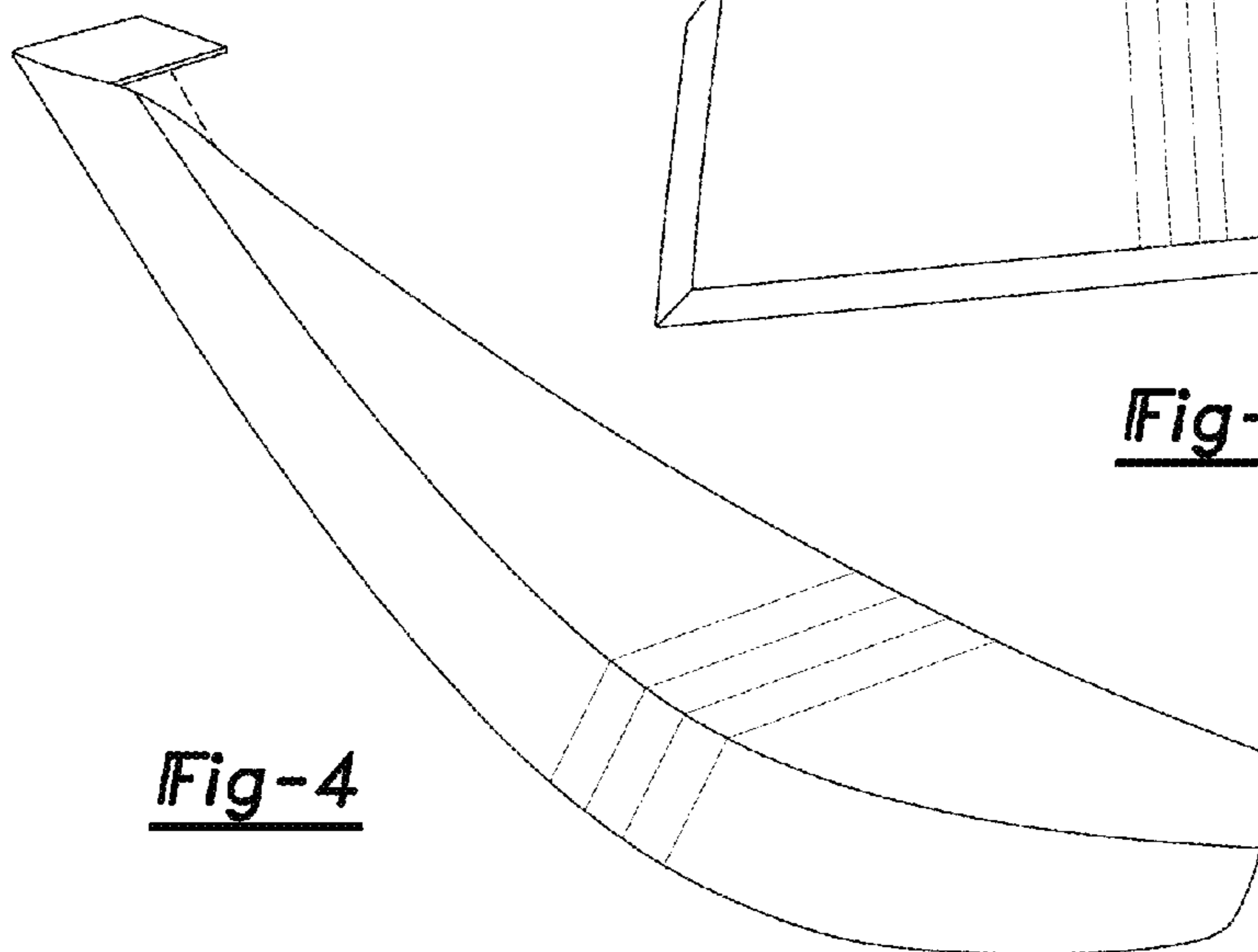


Fig-4