



US00D692595S

(12) **United States Design Patent**
Calkins

(10) **Patent No.:** **US D692,595 S**

(45) **Date of Patent:** **** Oct. 29, 2013**

(54) **FOAMED RETICULATED SURFACE COVERING**

(75) Inventor: **Mark Allen Calkins**, San Jacinto, CA (US)

(73) Assignee: **Kittrich Corporation**, La Mirada, CA (US)

(**) Term: **14 Years**

(21) Appl. No.: **29/415,445**

(22) Filed: **Mar. 9, 2012**

(51) **LOC (9) Cl.** **25-01**

(52) **U.S. Cl.**
USPC **D25/157**

(58) **Field of Classification Search**
USPC D25/157; 52/177, 403.1; 428/47, 45, 428/43, 50, 52; 404/36
See application file for complete search history.

(56) **References Cited**

U.S. PATENT DOCUMENTS

3,143,208 A 8/1964 Sizemore
3,706,636 A 12/1972 Bride

3,909,996 A * 10/1975 Ettlinger et al. 52/177
5,198,275 A 3/1993 Klein
6,007,886 A 12/1999 Takigami
6,238,762 B1 5/2001 Friedland et al.
D622,422 S * 8/2010 Rhee D25/157
2003/0110720 A1* 6/2003 Berard et al. 52/263
2006/0010804 A1* 1/2006 Gray et al. 52/403.1

* cited by examiner

Primary Examiner — Doris Clark

(74) *Attorney, Agent, or Firm* — Lewis Kohn & Fitzwilliam LLP; David M. Kohn; Kari Moyer-Henry

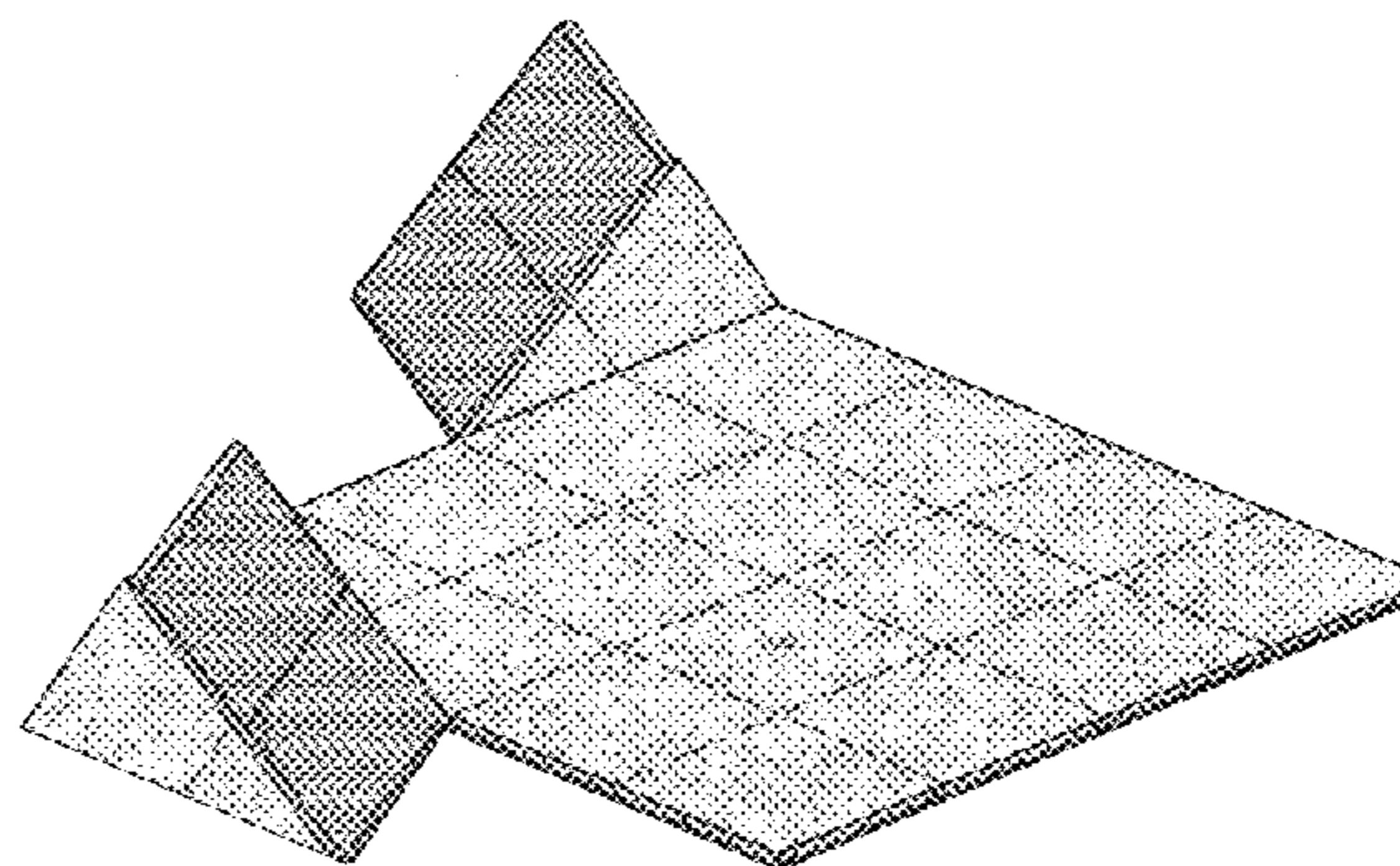
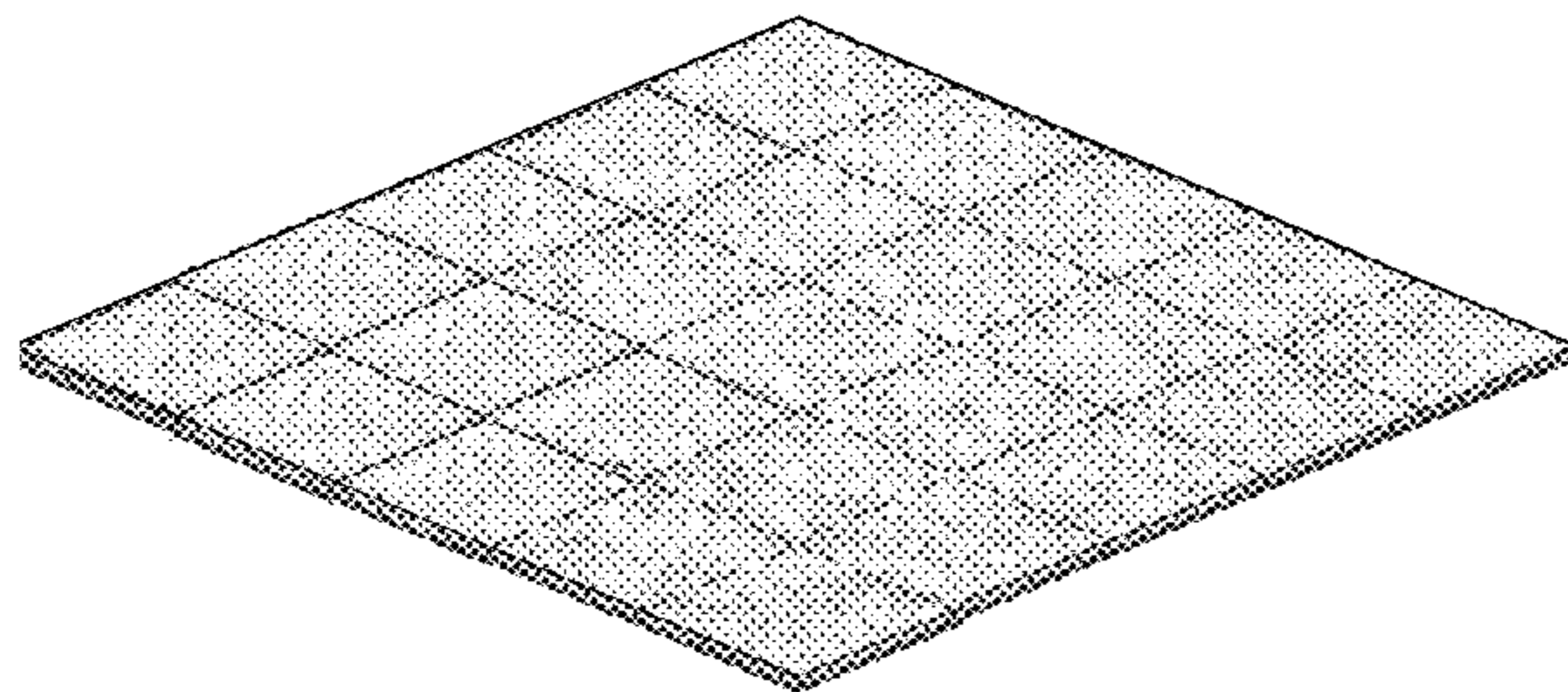
(57) **CLAIM**

The ornamental design for a foamed reticulated surface covering, as described.

DESCRIPTION

FIG. 1 is a perspective view of the foamed reticulated surface covering of the present invention;
FIG. 2 is a bottom view of the foamed reticulated surface covering; and,
FIG. 3 is an alternate, perspective view of the foamed reticulated surface covering.
The broken lines are for illustrative purposes only and form no part of the claimed design.

1 Claim, 3 Drawing Sheets



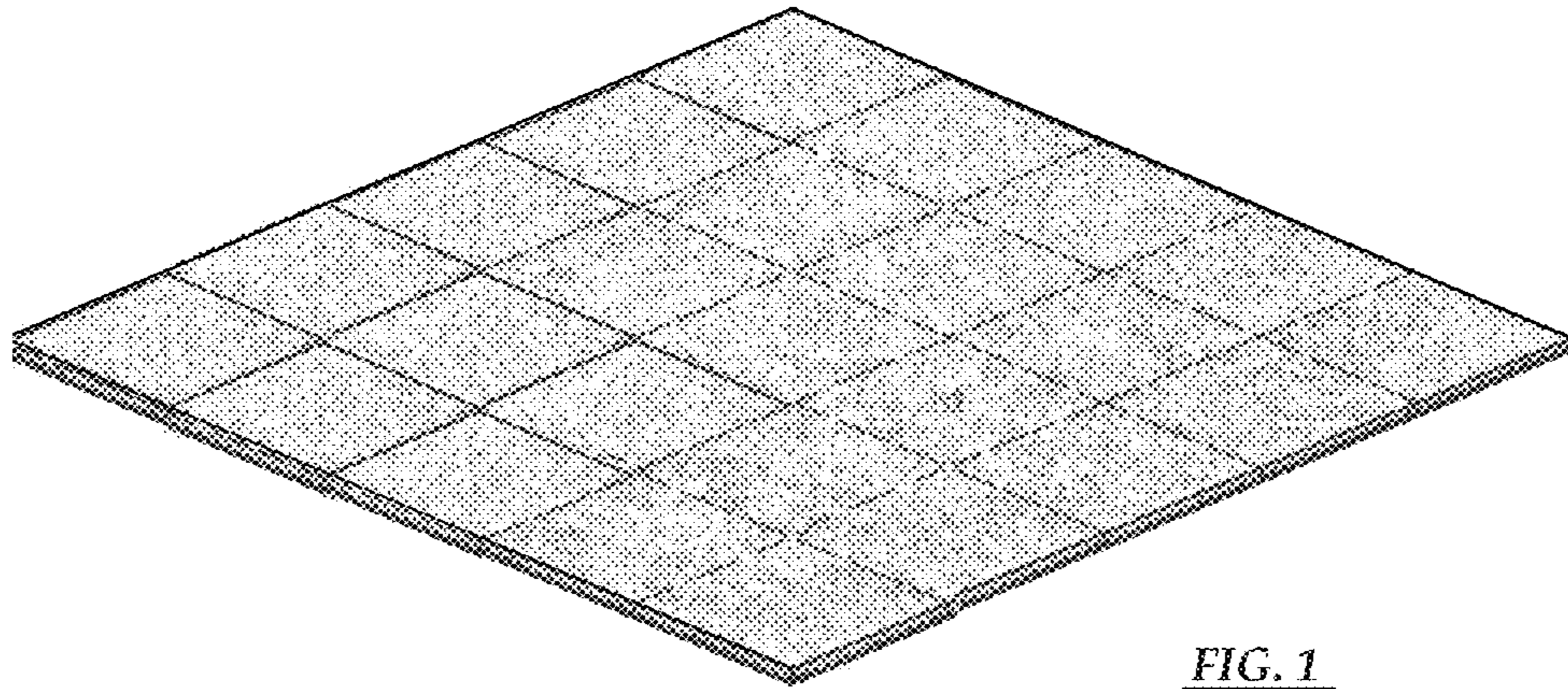


FIG. 1

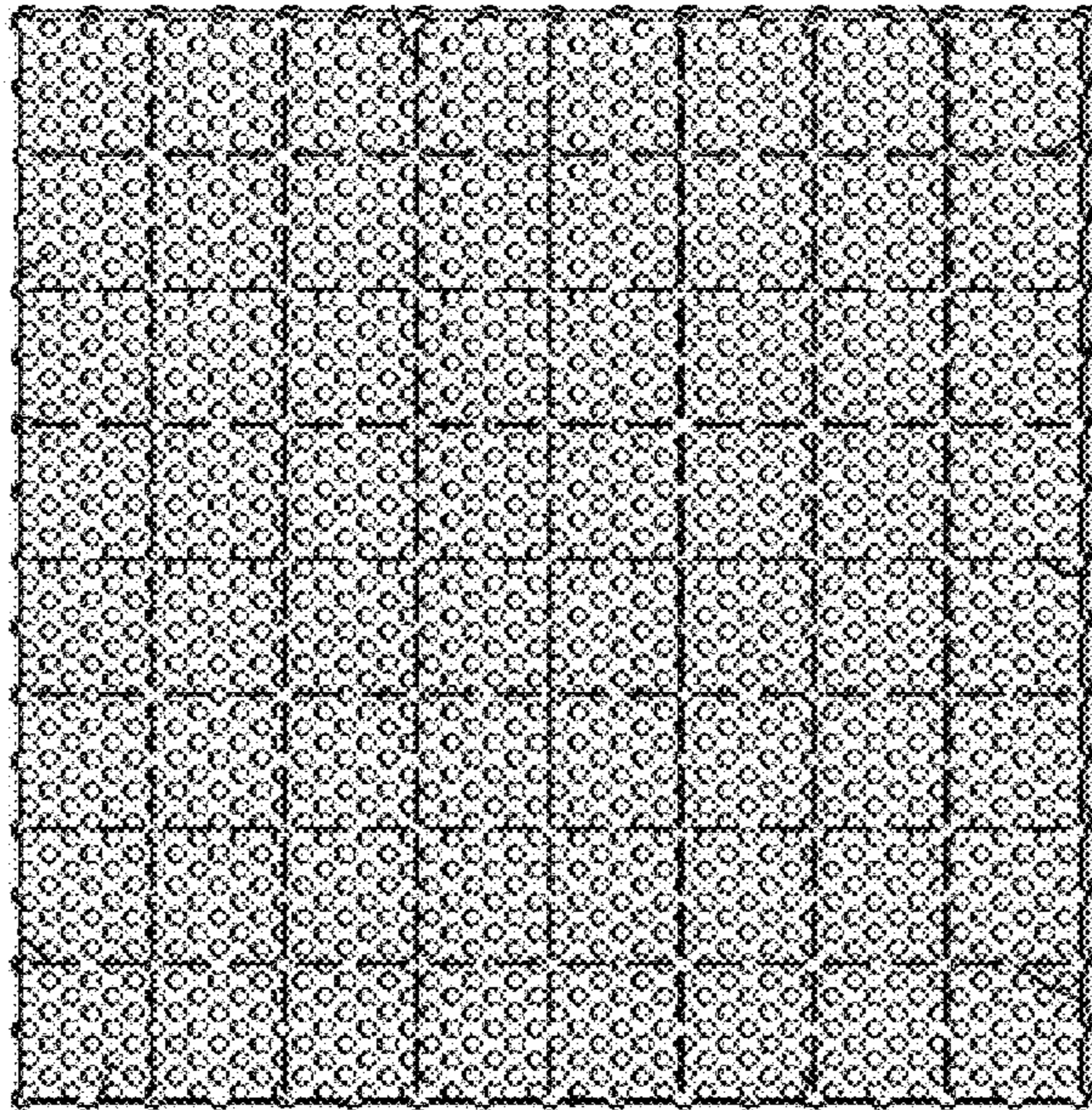


FIG. 2

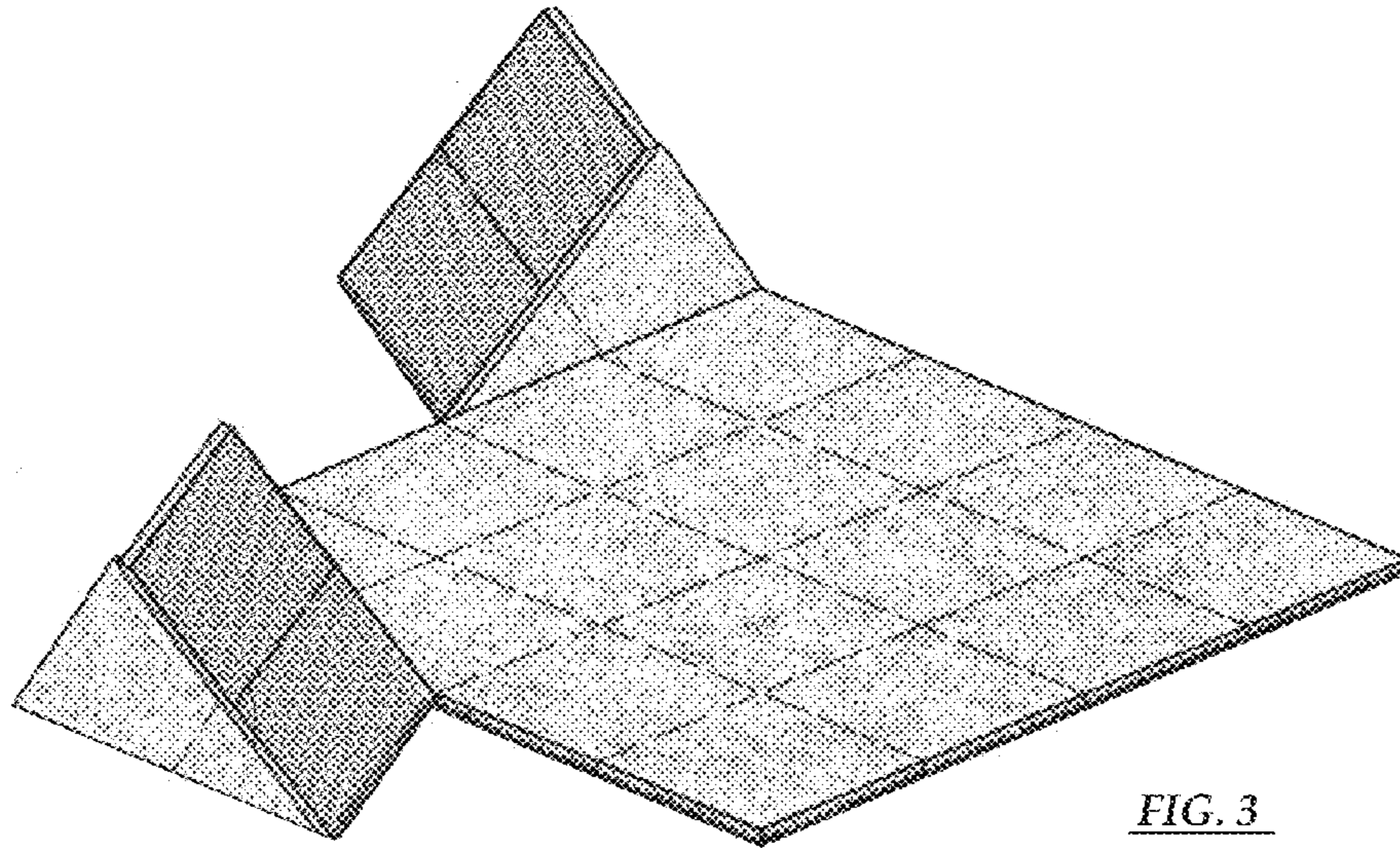


FIG. 3