



US00D692593S

(12) **United States Design Patent**  
**Hanser et al.**

(10) **Patent No.:** **US D692,593 S**

(45) **Date of Patent:** **\*\* Oct. 29, 2013**

(54) **AIR SEAL**

(75) Inventors: **Paul E. Hanser**, Tipton, IA (US); **Stacy Hanser**, Davenport, IA (US)

(73) Assignee: **HWH Corporation**, Moscow, IA (US)

(\*\*) Term: **14 Years**

(21) Appl. No.: **29/429,573**

(22) Filed: **Aug. 14, 2012**

(51) **LOC (9) Cl.** ..... **25-01**

(52) **U.S. Cl.**  
USPC ..... **D25/124; D25/48.2**

(58) **Field of Classification Search**  
USPC ..... D25/48.2, 124, 119, 125; 49/467, 468,  
49/469, 472, 473, 474, 475.1, 499.1, 470,  
49/482.1, 493; 52/204.1, 205, 210, 293.3,  
52/741.4

See application file for complete search history.

(56) **References Cited**

U.S. PATENT DOCUMENTS

2,718,677	A *	9/1955	Cornell	.....	49/469
4,387,535	A *	6/1983	Corbo	.....	49/468
D474,844	S *	5/2003	Babka et al.	.....	D25/48.2
7,290,371	B2 *	11/2007	Zimmerman	.....	49/460
D560,002	S *	1/2008	Bergmann	.....	D25/124

\* cited by examiner

*Primary Examiner* — Doris Clark

(74) *Attorney, Agent, or Firm* — Jason R. Sytsma; Shuttleworth & Ingersoll, PLC

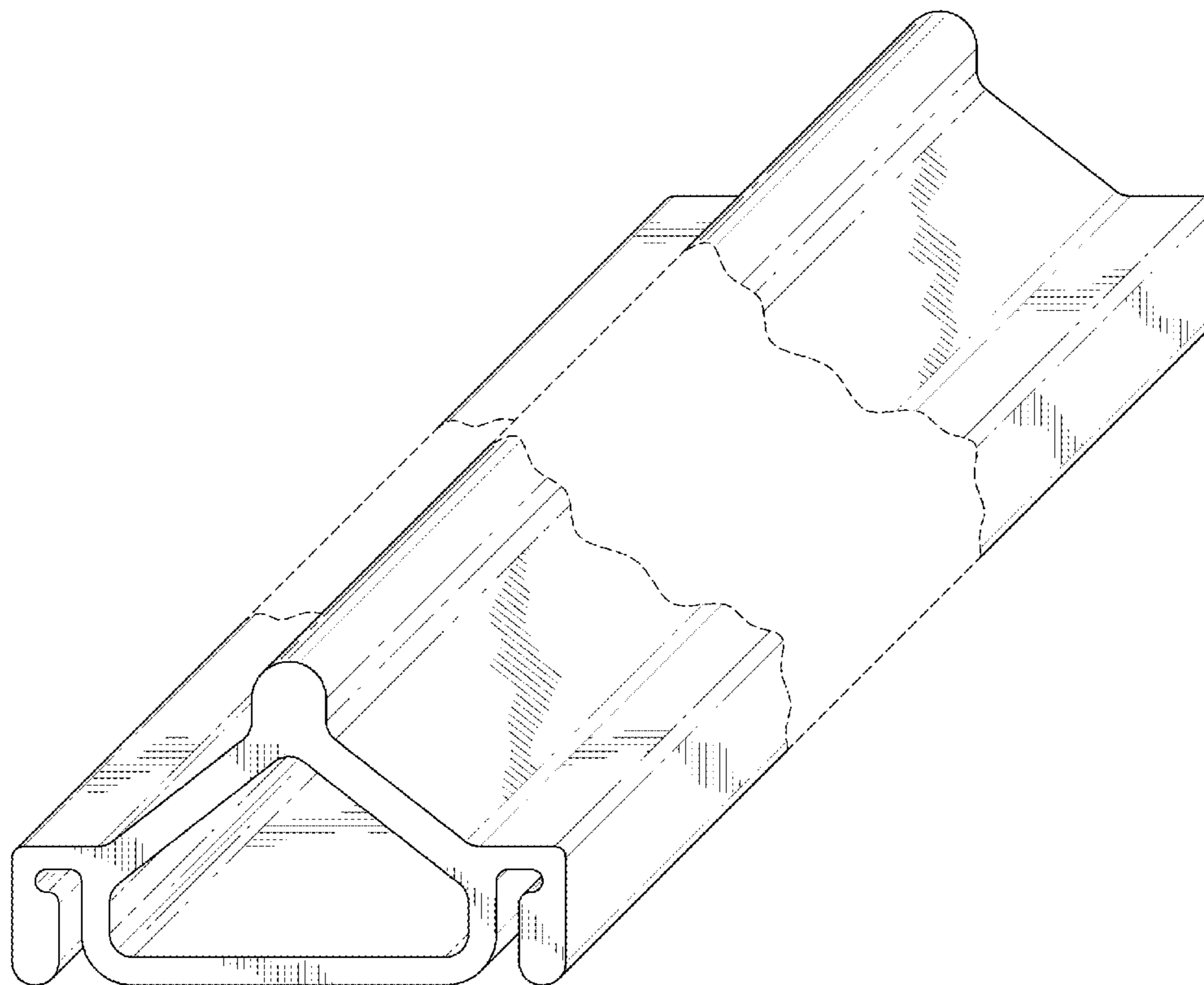
(57) **CLAIM**

The ornamental design for an air seal, as shown and described.

**DESCRIPTION**

FIG. 1 is a perspective view of an air seal according to the invention;  
FIG. 2 is a front view of the air seal of FIG. 1;  
FIG. 3 is a side view of the air seal of FIG. 1;  
FIG. 4 is a top view of the air seal of FIG. 1; and,  
FIG. 5 is a bottom view of the air seal of FIG. 1.

**1 Claim, 5 Drawing Sheets**



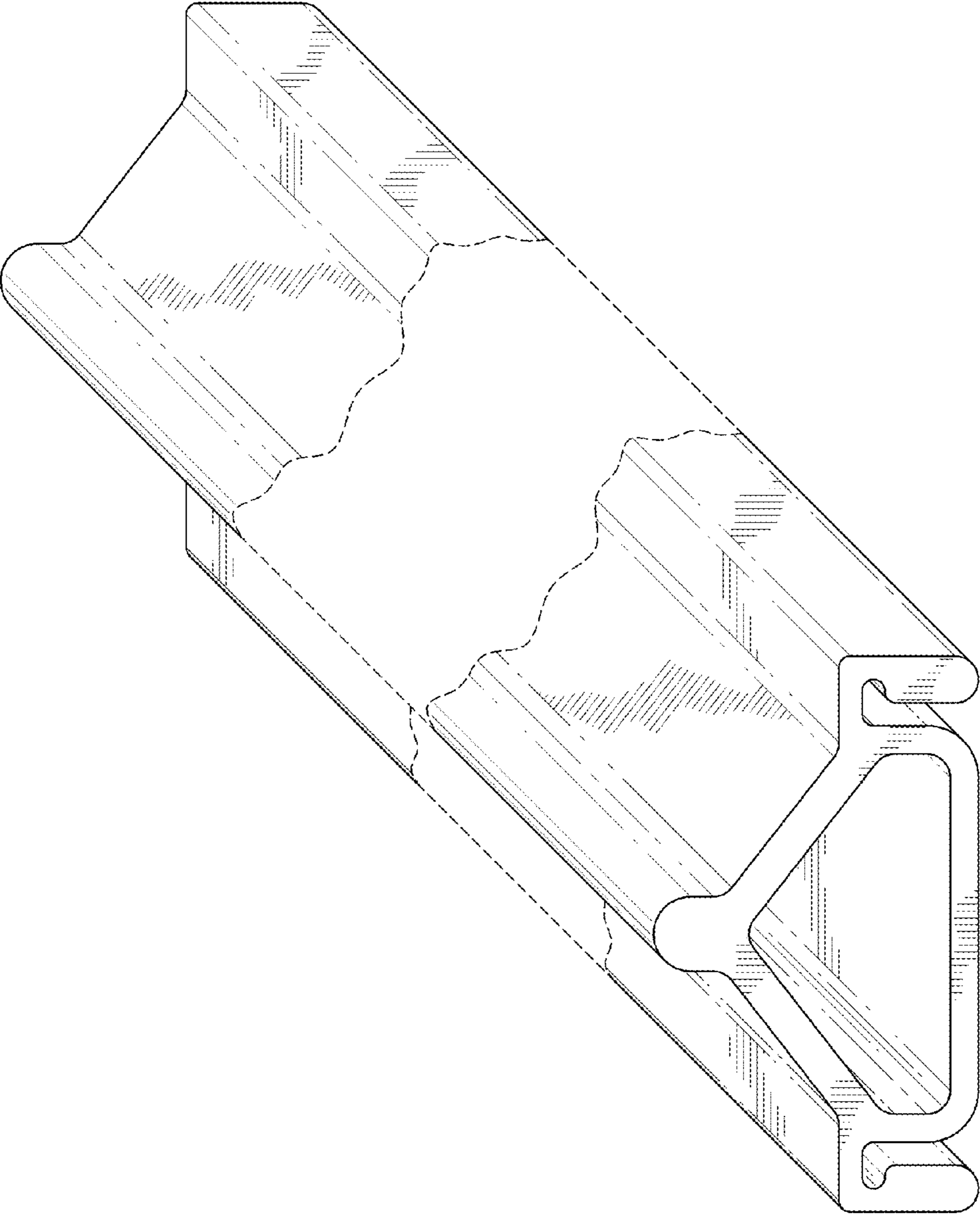


FIG.1

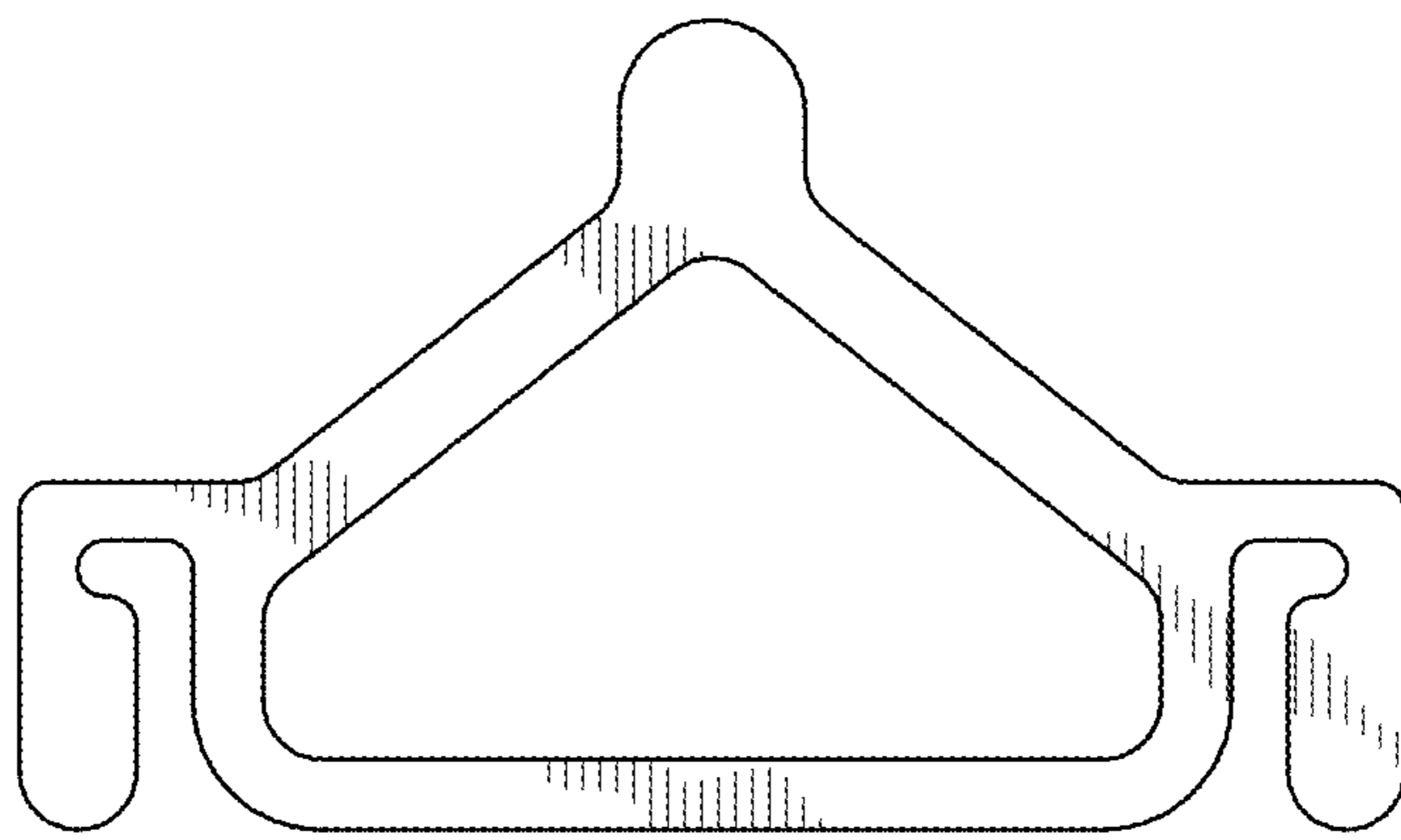


FIG. 2

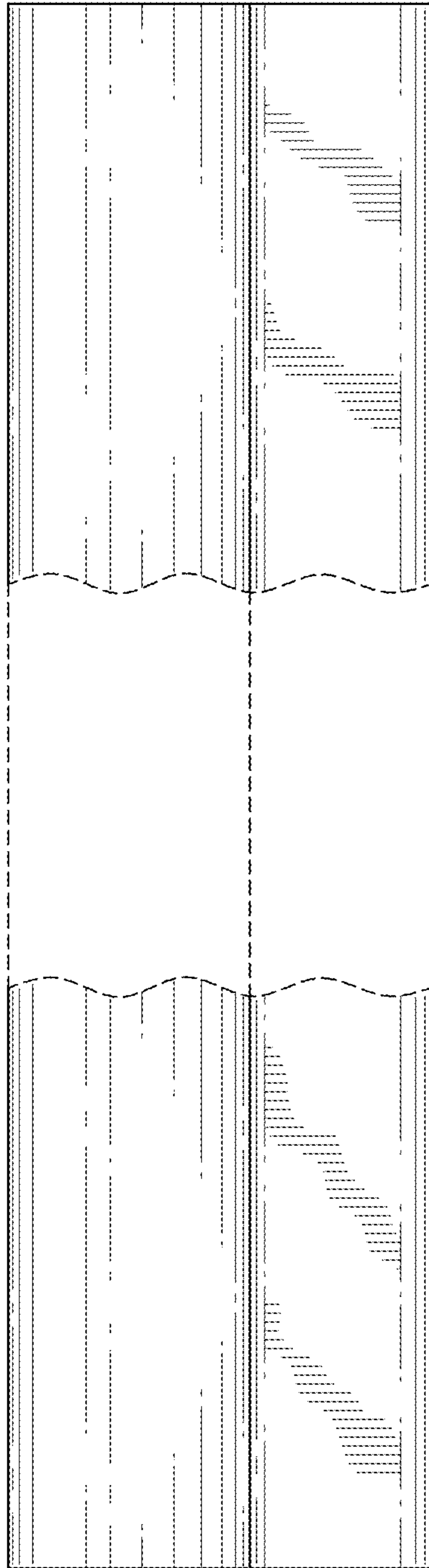


FIG. 3

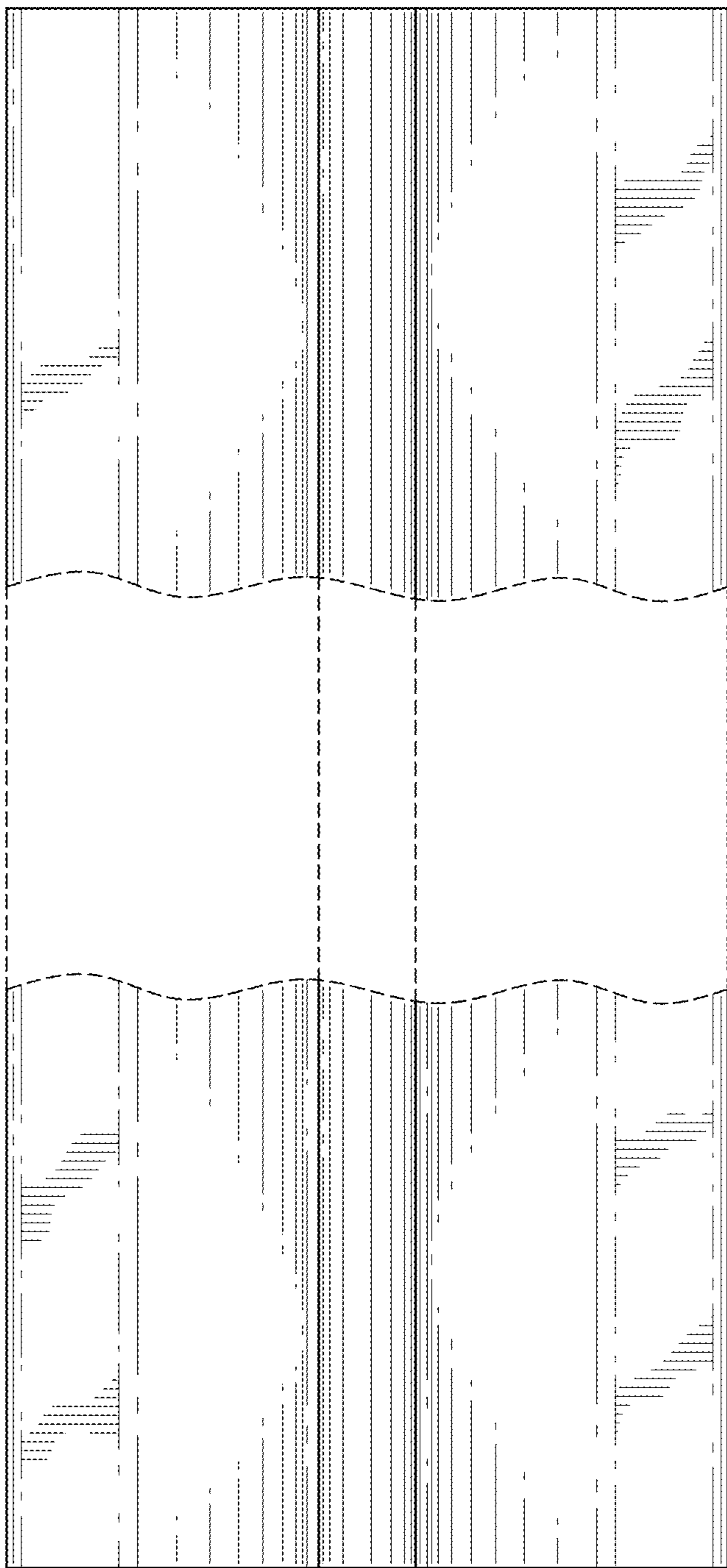


FIG.4

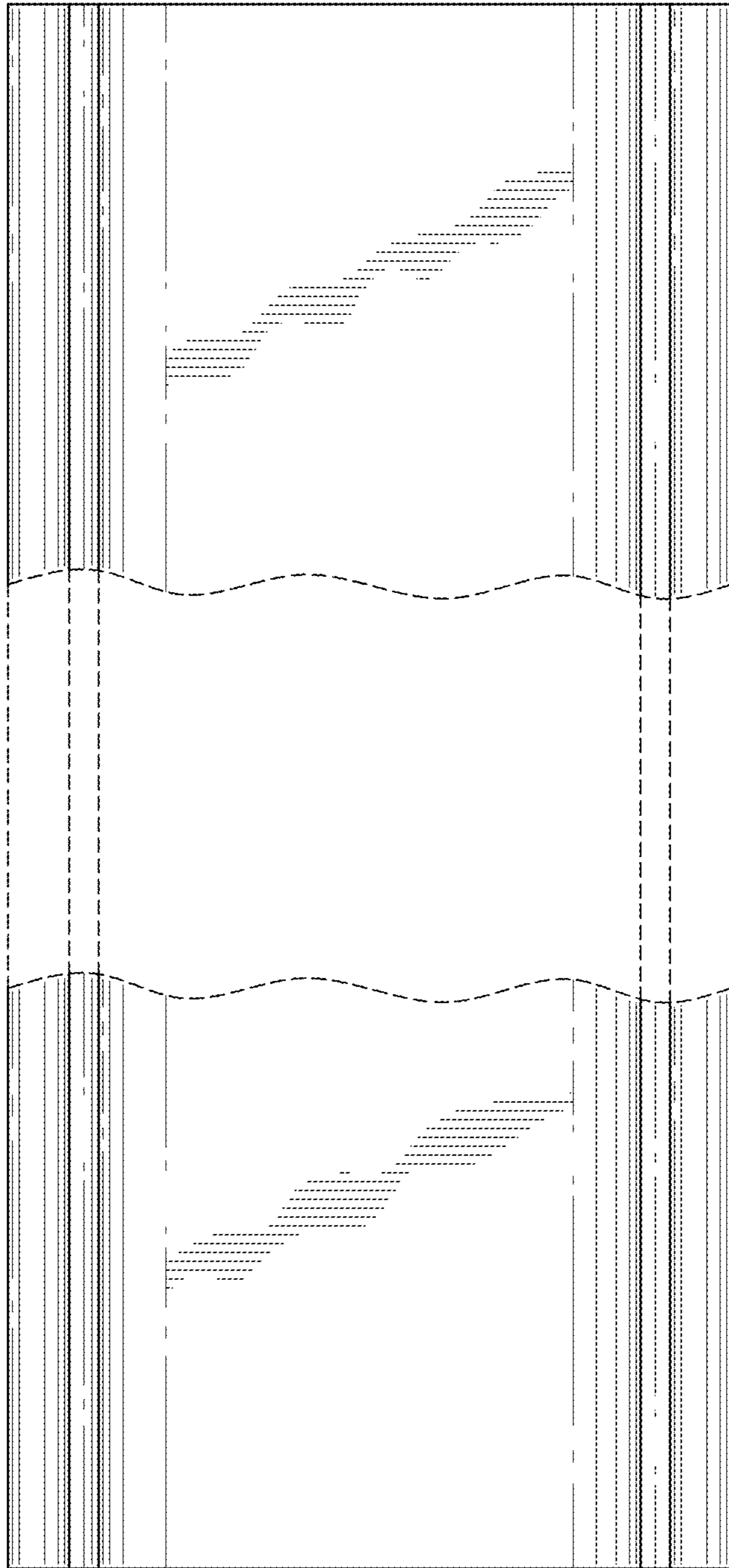


FIG. 5