

US00D692583S

(12) **United States Design Patent**  
**Weekly et al.**

(10) **Patent No.:** **US D692,583 S**  
(45) **Date of Patent:** **\*\* Oct. 29, 2013**

(54) **COFFERDAM MODULE**

(75) Inventors: **Todd O. Weekly**, Idleyld Park, OR (US);  
**Nicholas O. Weekly**, Idleyld Park, OR  
(US)

(73) Assignee: **Weekly Bros. Inc.**, Idleyld, OR (US)

(\*\*) Term: **14 Years**

(21) Appl. No.: **29/386,842**

(22) Filed: **Mar. 4, 2011**

(51) **LOC (9) Cl.** ..... **25-02**

(52) **U.S. Cl.**  
USPC ..... **D25/48.5**

(58) **Field of Classification Search**  
USPC ..... D25/1, 39, 48.5; 405/14–15, 114,  
405/272–276, 282–283; 248/354.5–354.6  
See application file for complete search history.

(56) **References Cited**

**U.S. PATENT DOCUMENTS**

1,980,055	A *	11/1934	Healy et al.	405/14
2,063,514	A *	12/1936	Meem	405/14
2,073,545	A *	3/1937	Atkinson	405/14
2,179,429	A *	11/1939	Schiavi	405/14
2,922,283	A *	1/1960	Porter	405/283
4,487,530	A *	12/1984	Morrice	405/282
5,096,334	A *	3/1992	Plank	405/283
5,180,256	A *	1/1993	Krings	405/282
5,277,522	A *	1/1994	Pertz	405/283
7,258,511	B1 *	8/2007	Cerda	405/282
7,661,908	B1 *	2/2010	Kundel, Sr.	405/274
7,708,495	B1 *	5/2010	Antee	405/114
7,837,413	B1 *	11/2010	Kundel, Sr.	405/283

\* cited by examiner

*Primary Examiner* — T. Chase Nelson

*Assistant Examiner* — Kathleen M Sims

(74) *Attorney, Agent, or Firm* — Marger, Johnson & McCollom, P.C.

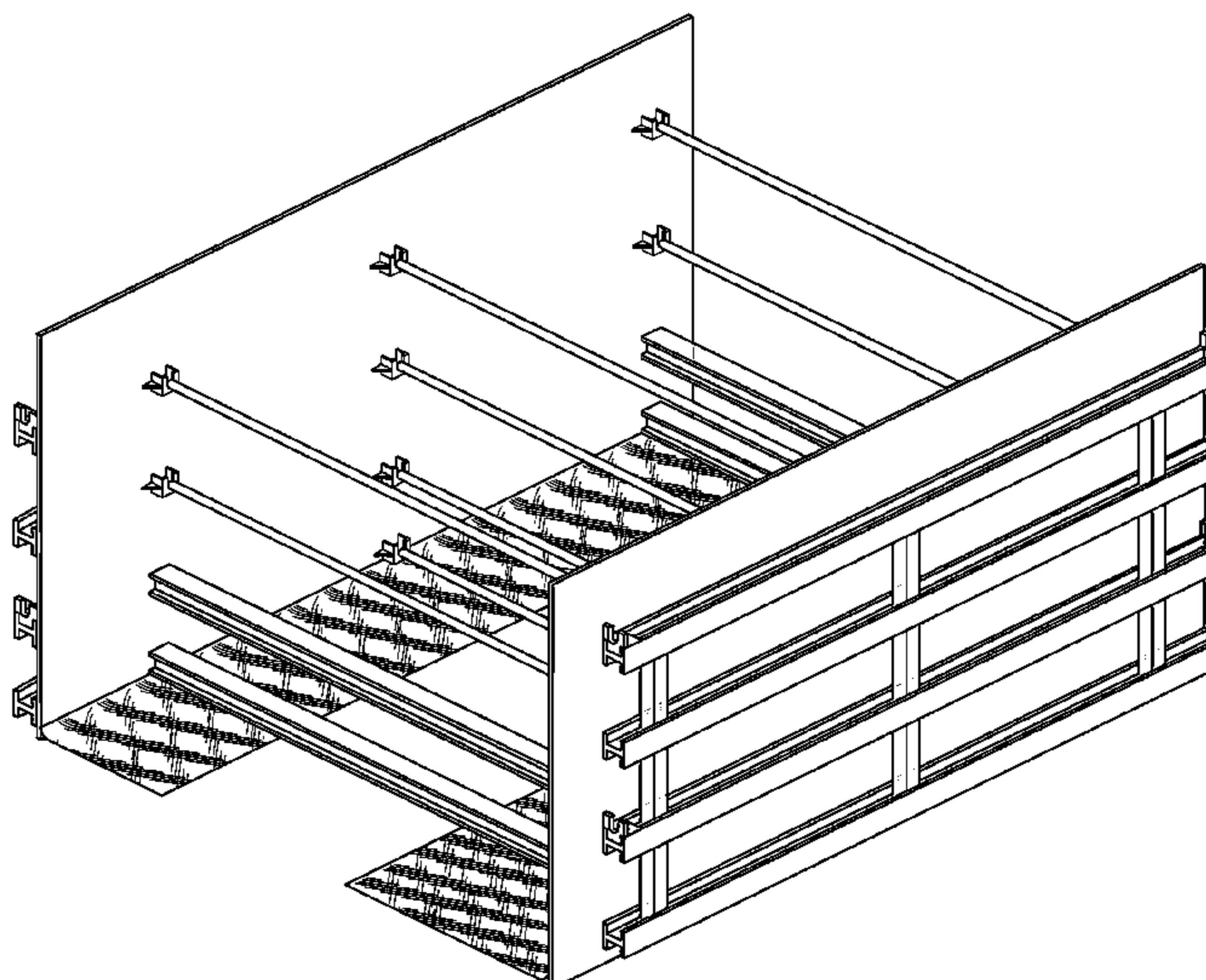
(57) **CLAIM**

The ornamental design for a cofferdam module, as shown and described.

**DESCRIPTION**

FIG. 1 is a front perspective view of a first embodiment of a cofferdam module;  
 FIG. 2 is a left side elevation view thereof;  
 FIG. 3 is a right side elevation view thereof;  
 FIG. 4 is a front elevation view thereof;  
 FIG. 5 is a back elevation view thereof;  
 FIG. 6 is a top plan view thereof;  
 FIG. 7 is a front perspective view of a second embodiment of a cofferdam module;  
 FIG. 8 is a left side elevation view thereof;  
 FIG. 9 is a right side elevation view thereof;  
 FIG. 10 is a front elevation view thereof;  
 FIG. 11 is a back elevation view thereof; and  
 FIG. 12 is a top plan view thereof.  
 FIG. 13 is a front perspective view of a third embodiment of a cofferdam module;  
 FIG. 14 is a left side elevation view thereof;  
 FIG. 15 is a right side elevation view thereof;  
 FIG. 16 is a front elevation view thereof;  
 FIG. 17 is a back elevation view thereof; and,  
 FIG. 18 is a top plan view thereof.

**1 Claim, 12 Drawing Sheets**



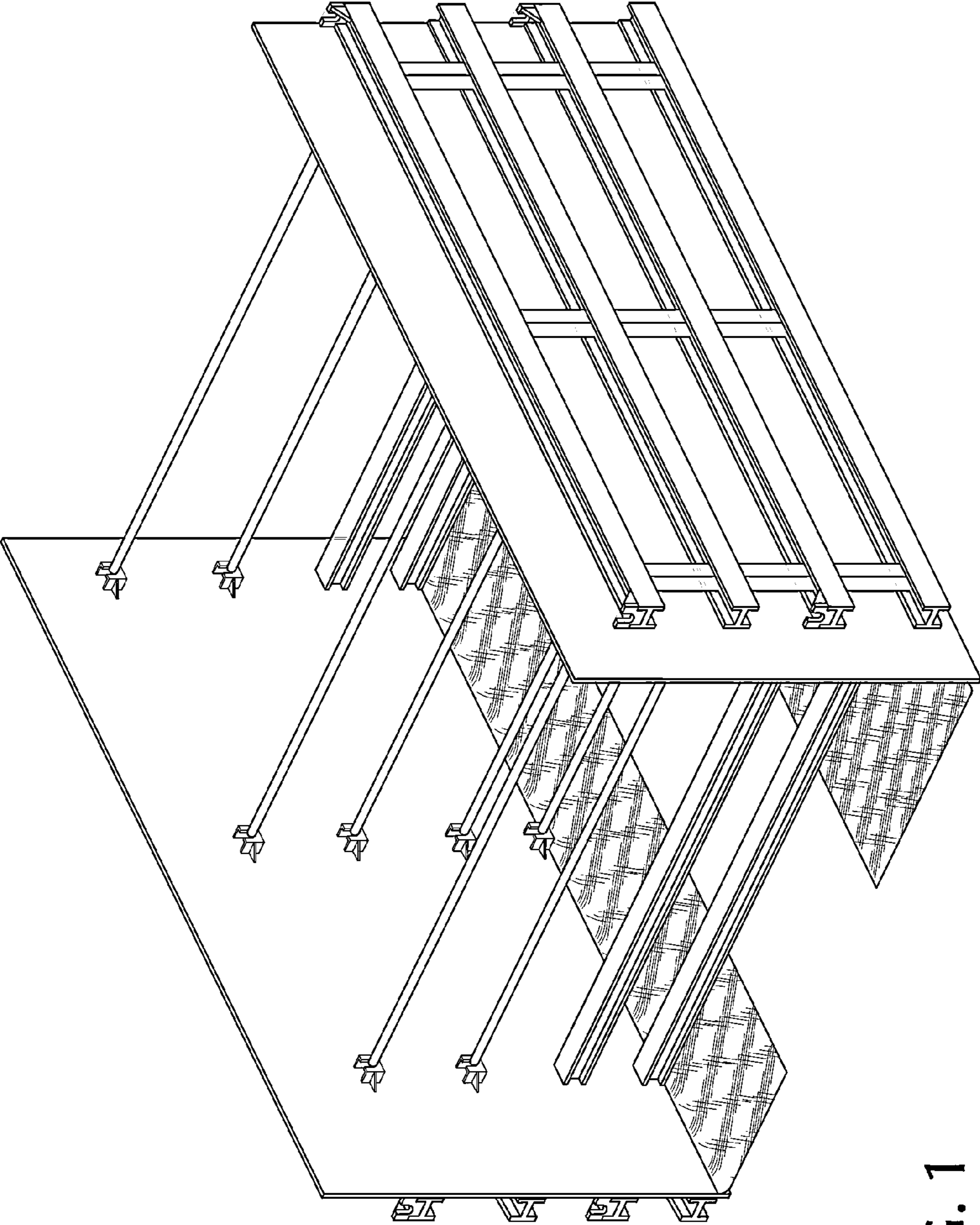


FIG. 1

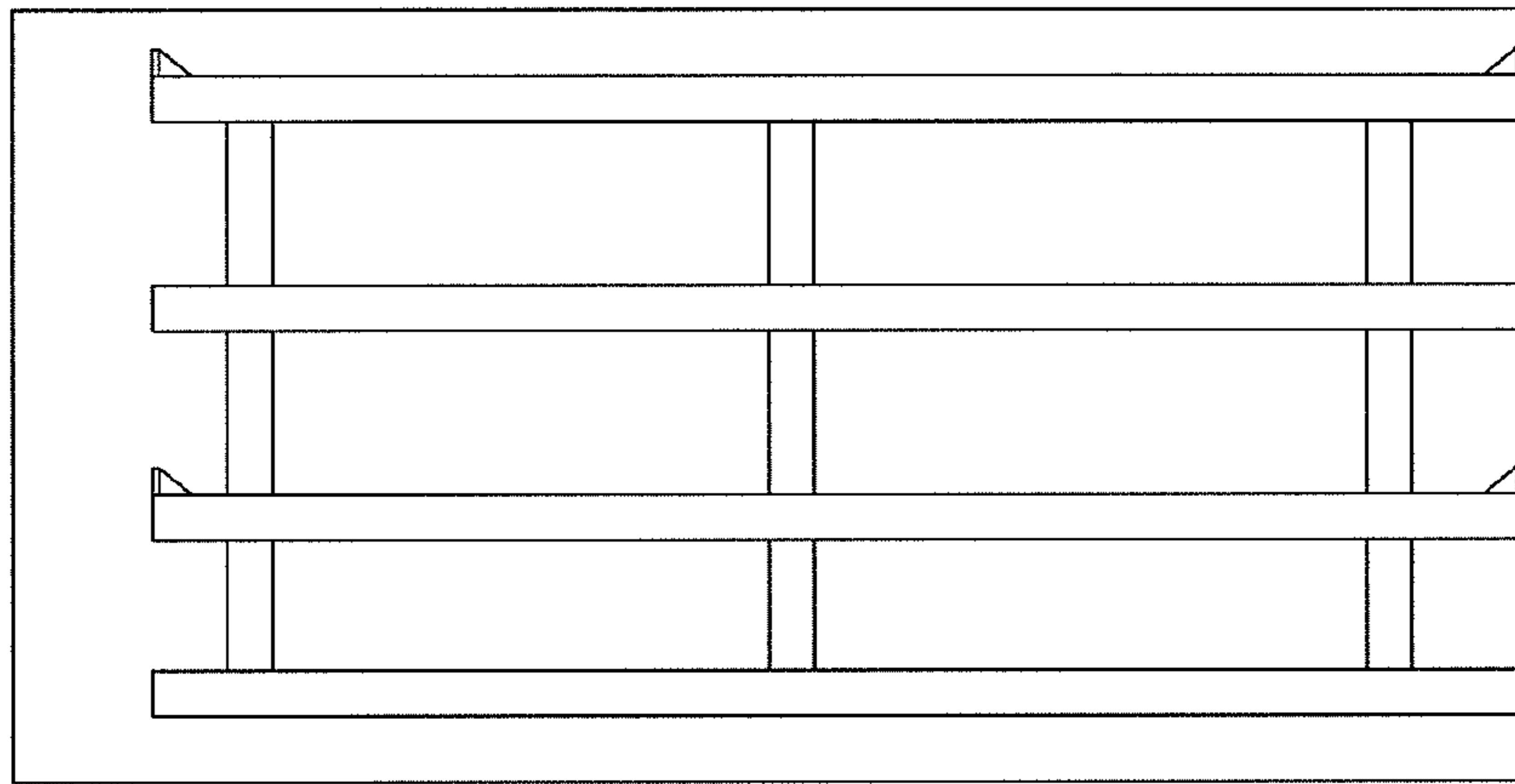


FIG. 2

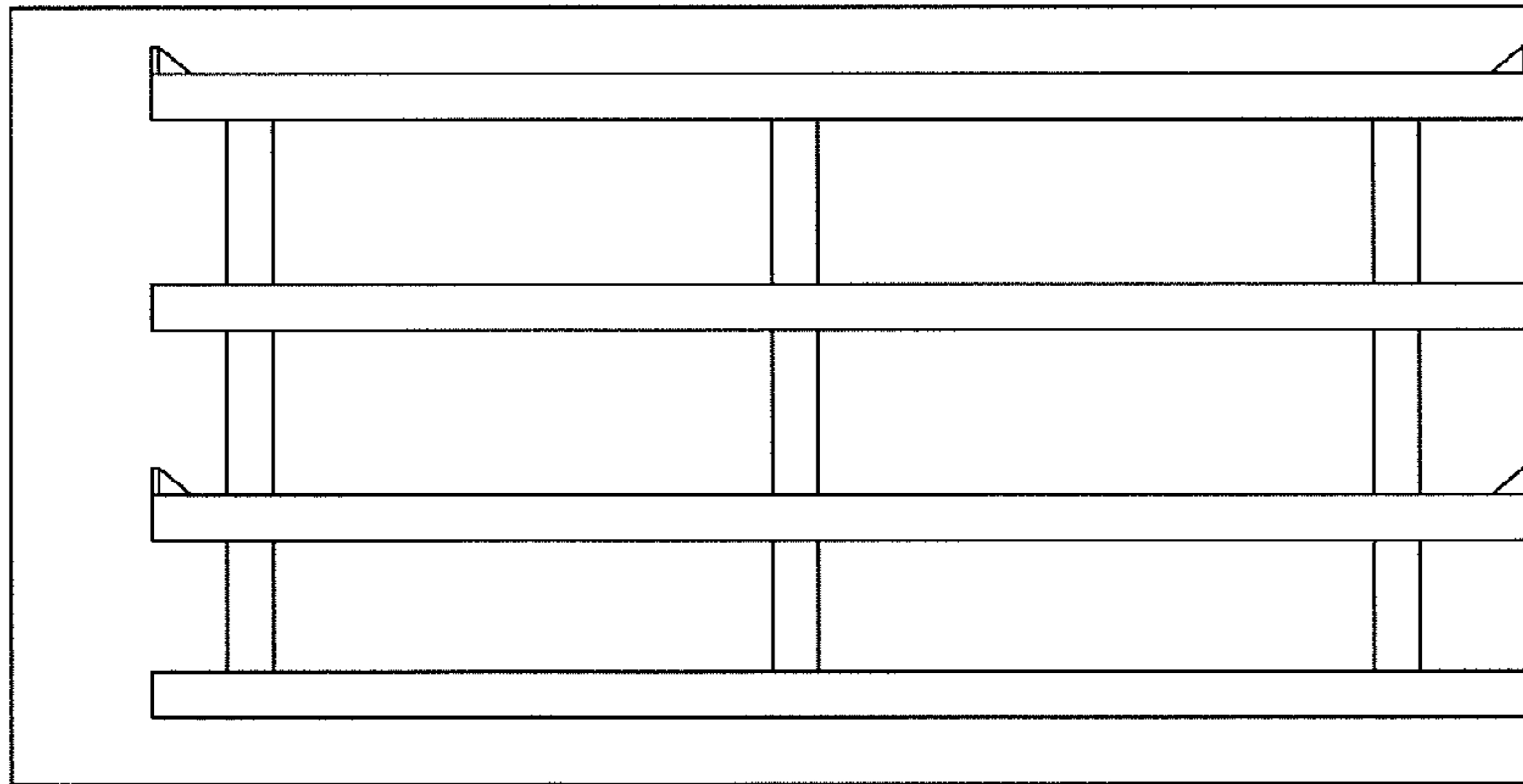


FIG. 3

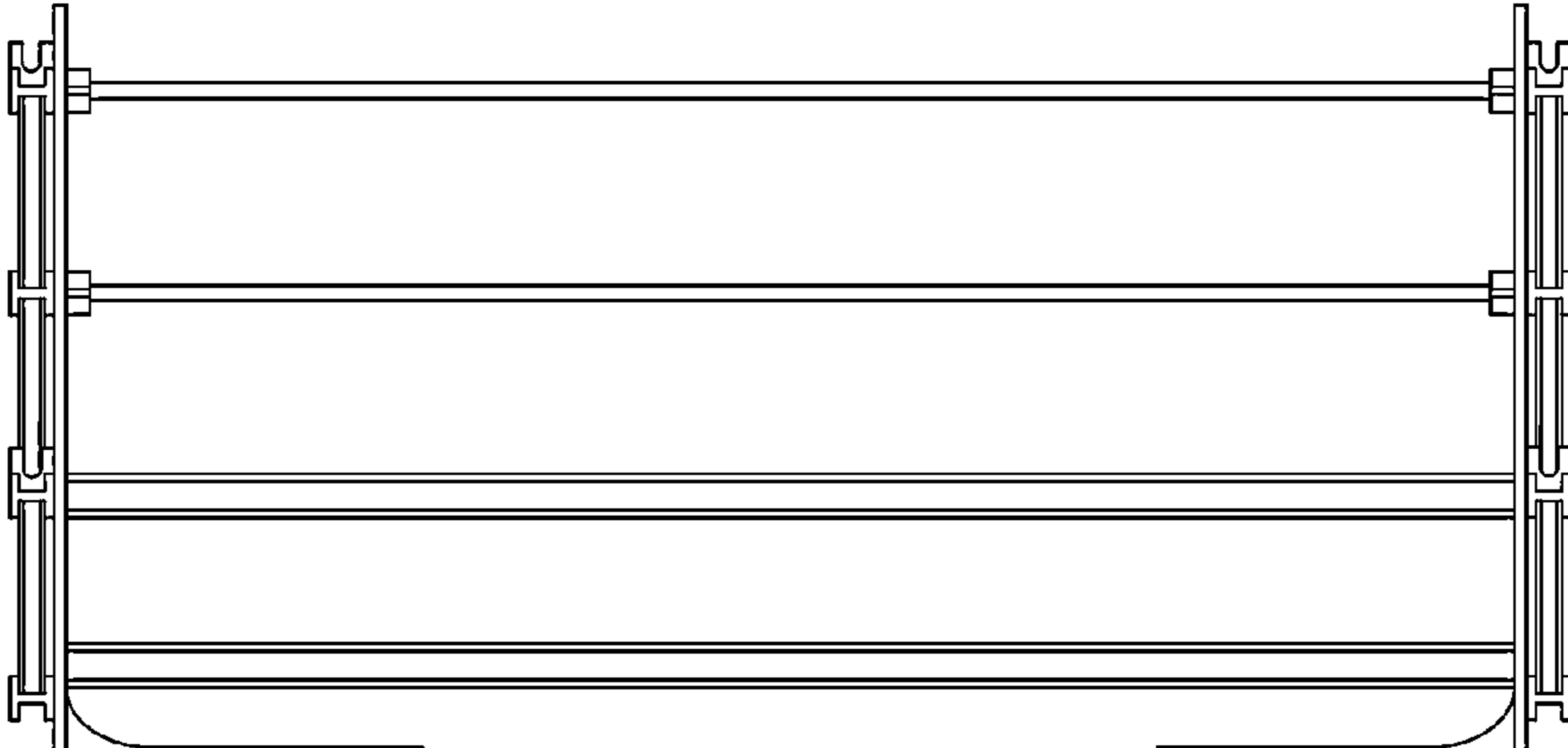


FIG. 4

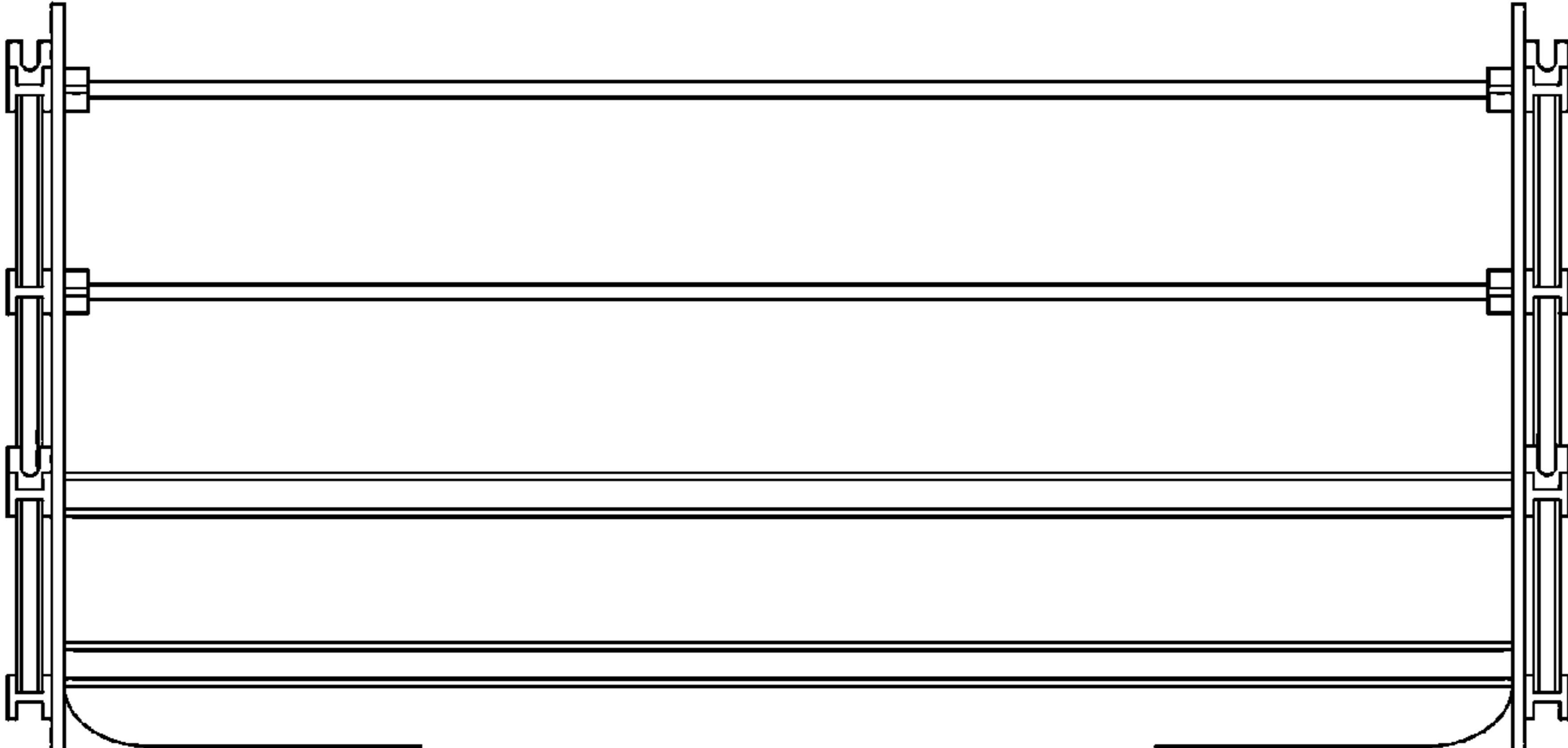


FIG. 5

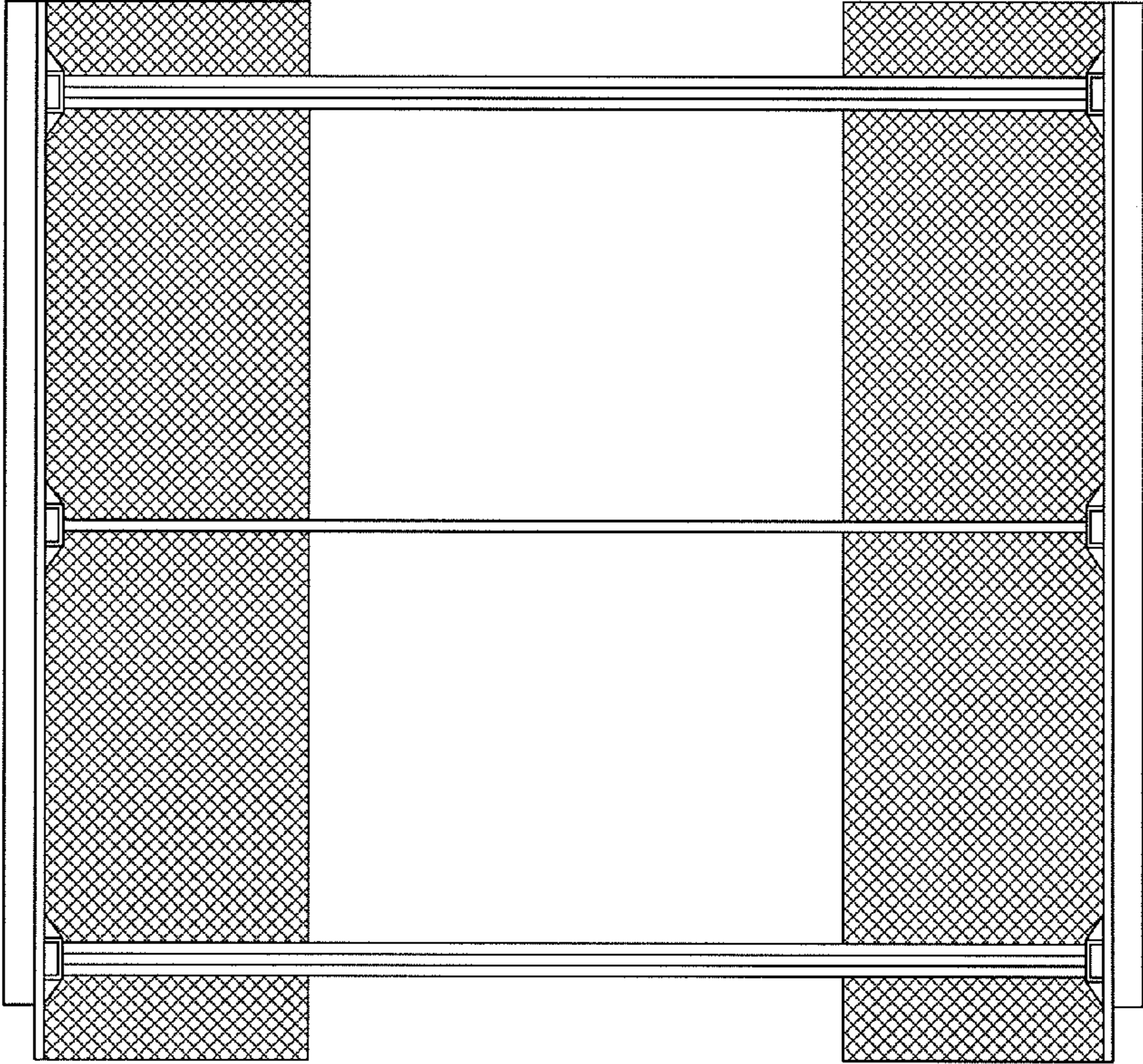


FIG. 6

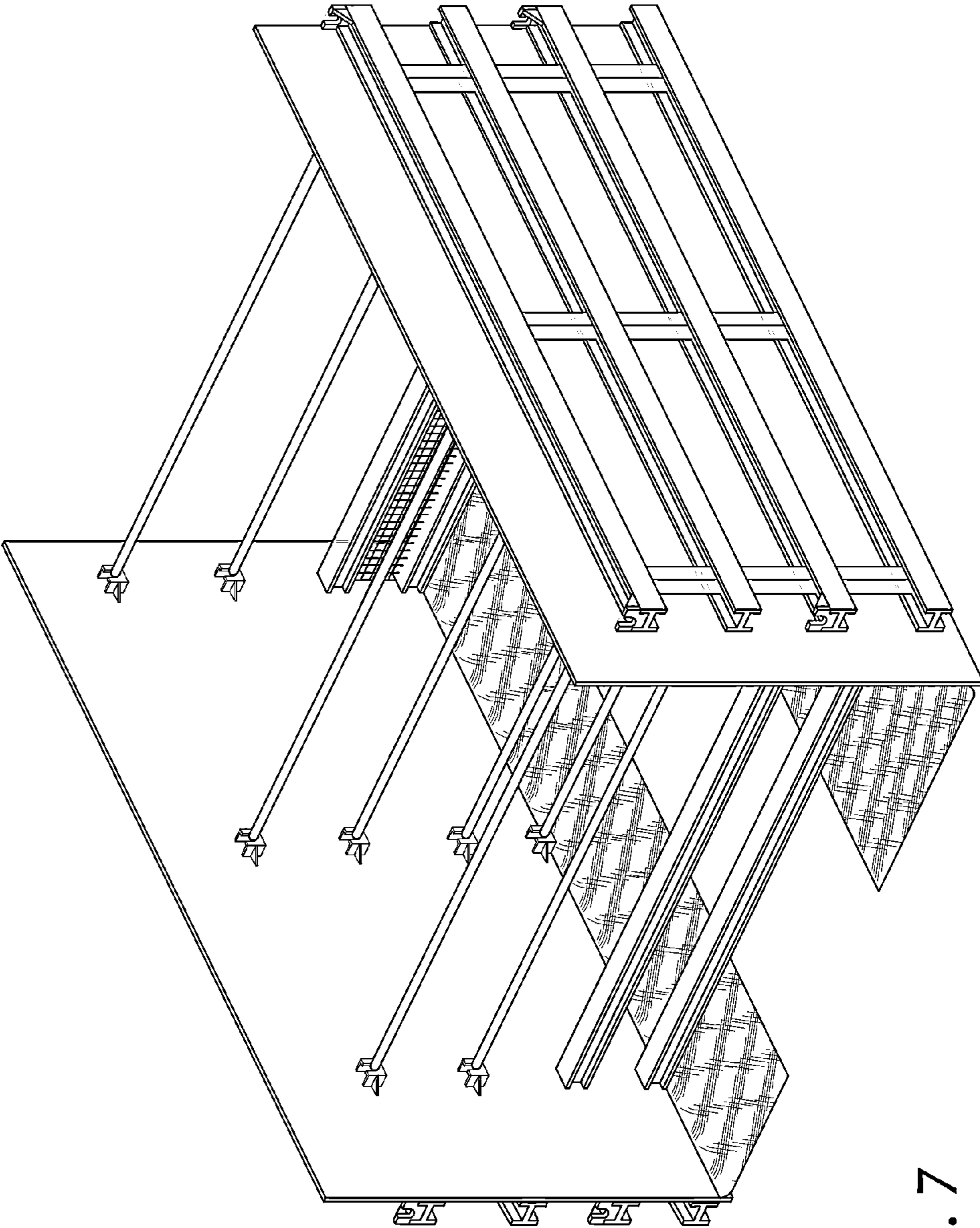


FIG. 7

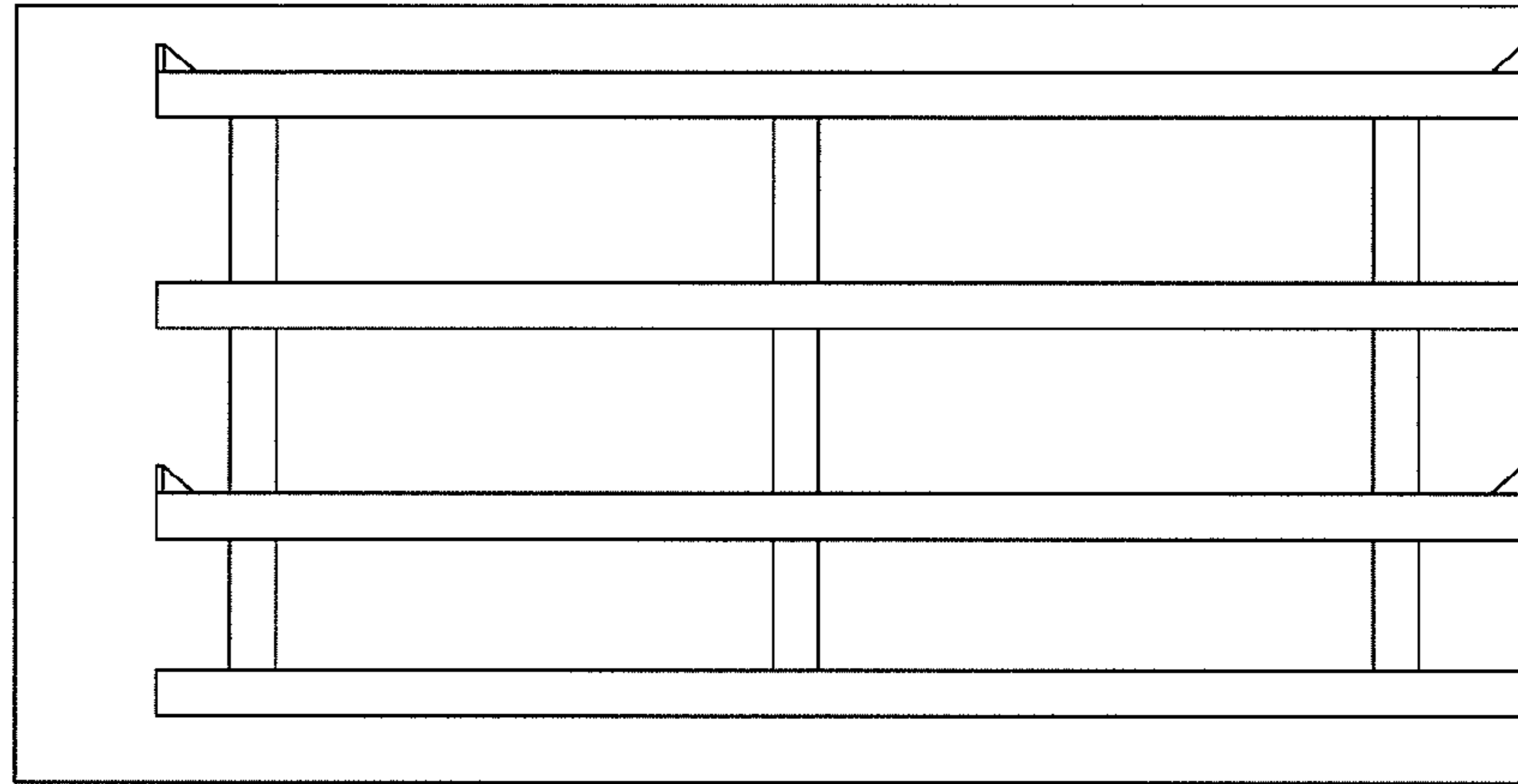


FIG. 8

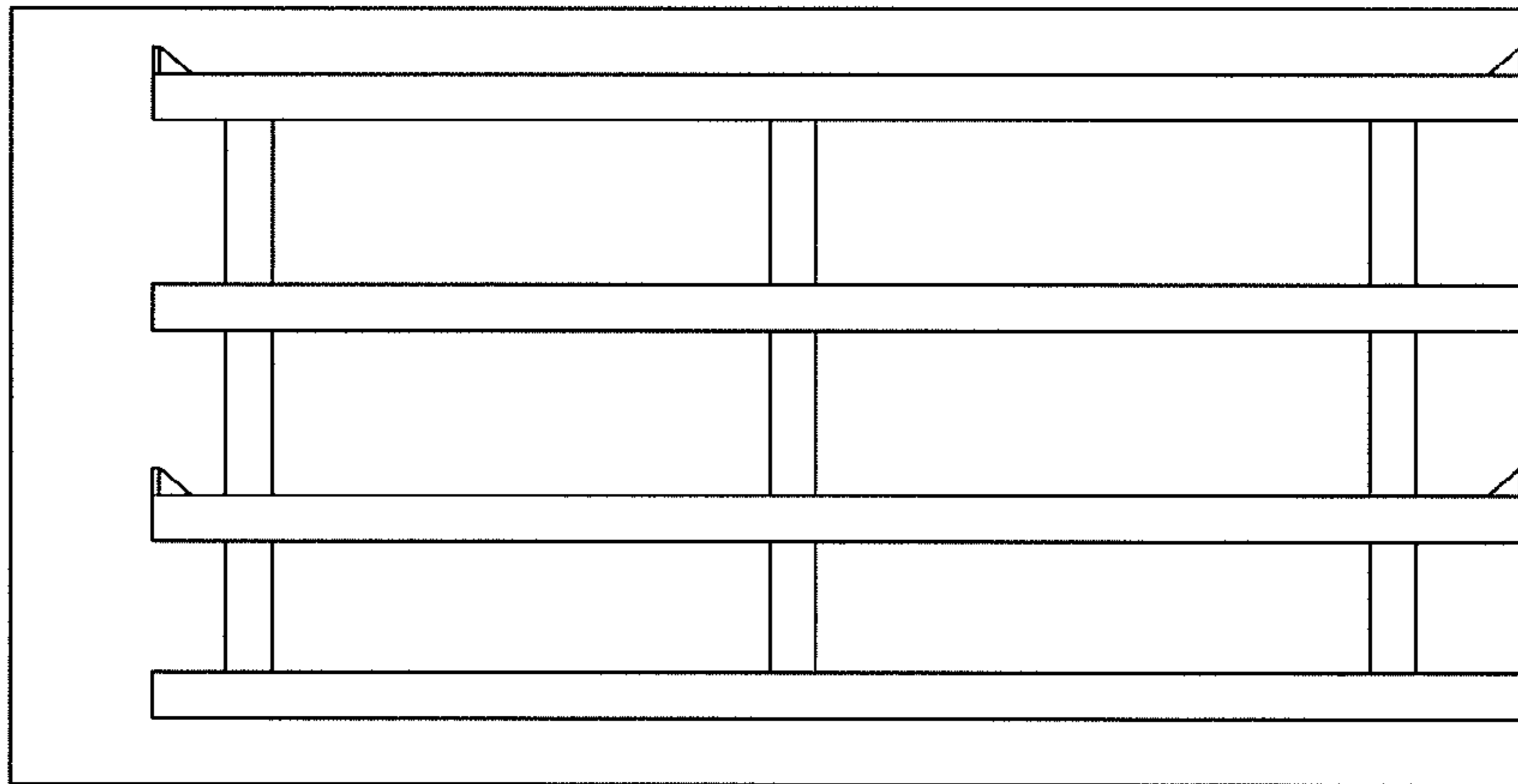


FIG. 9

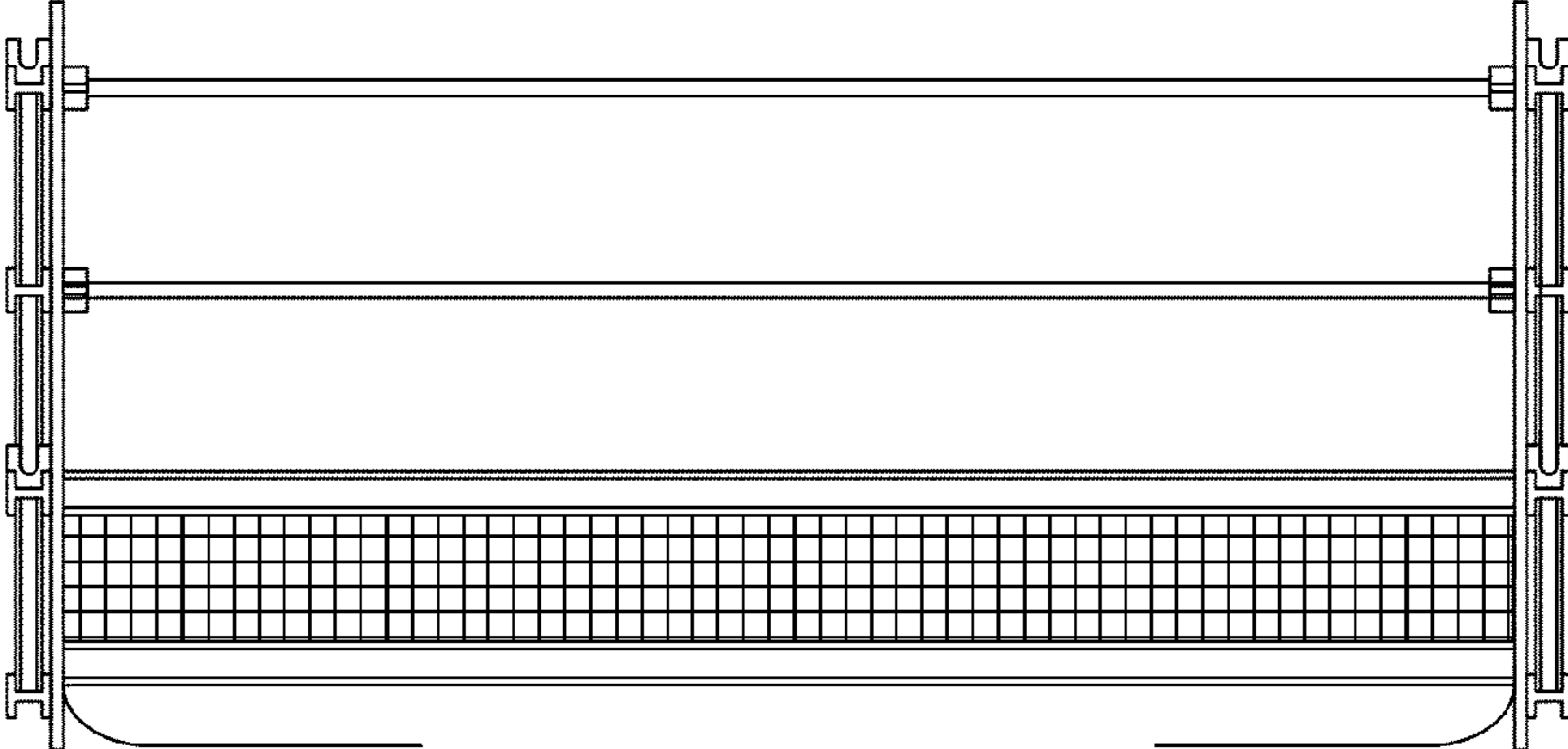


FIG. 10

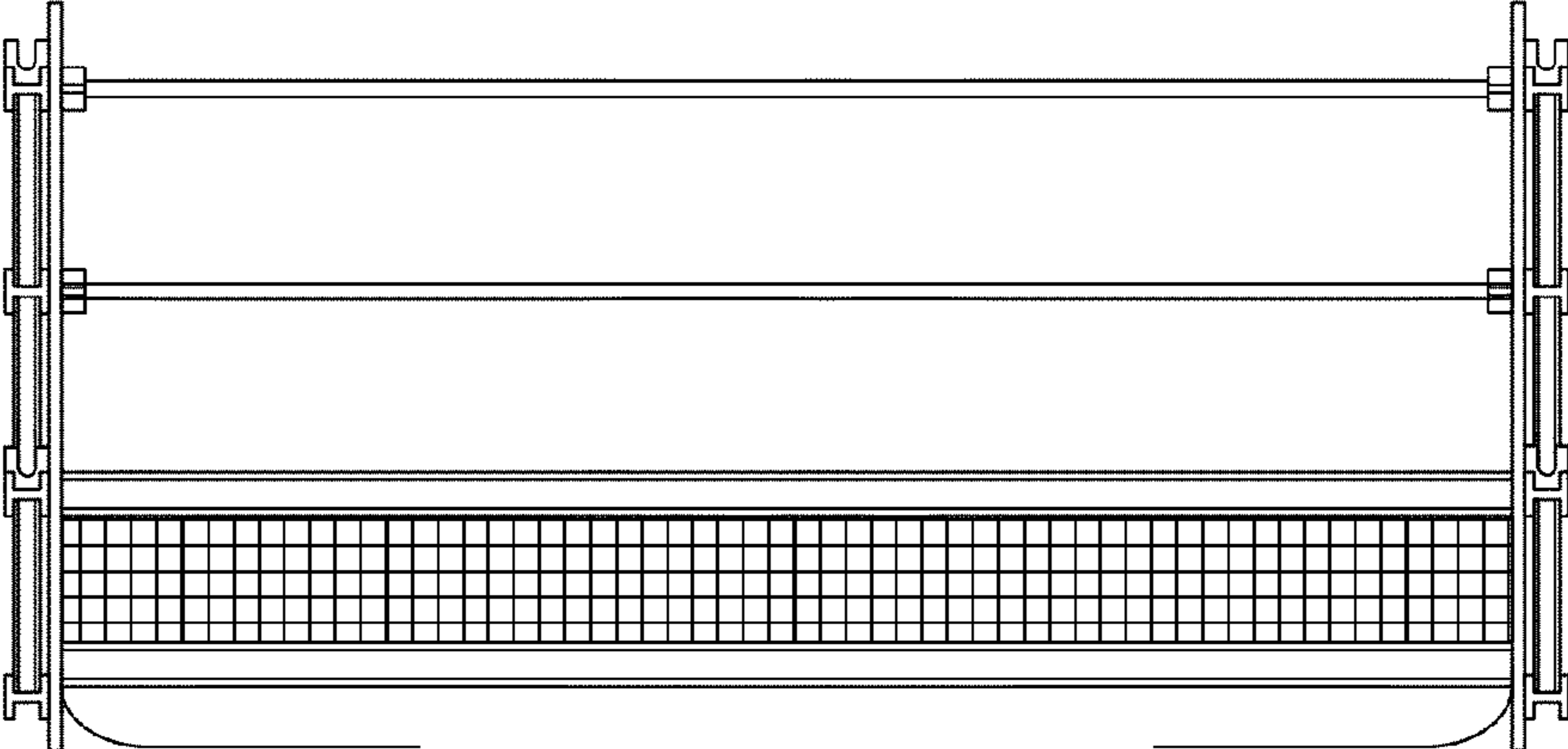


FIG. 11



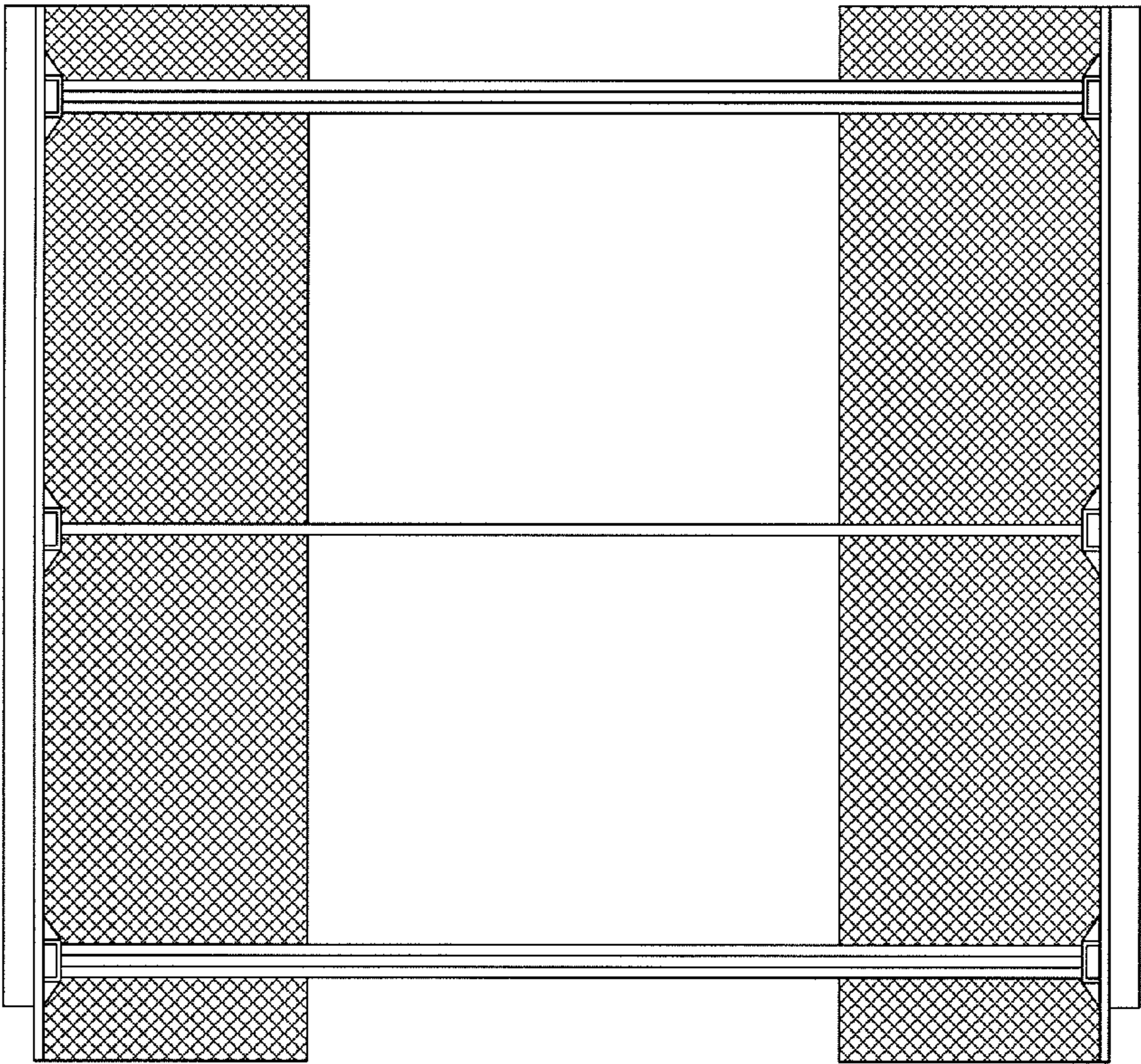


FIG. 12

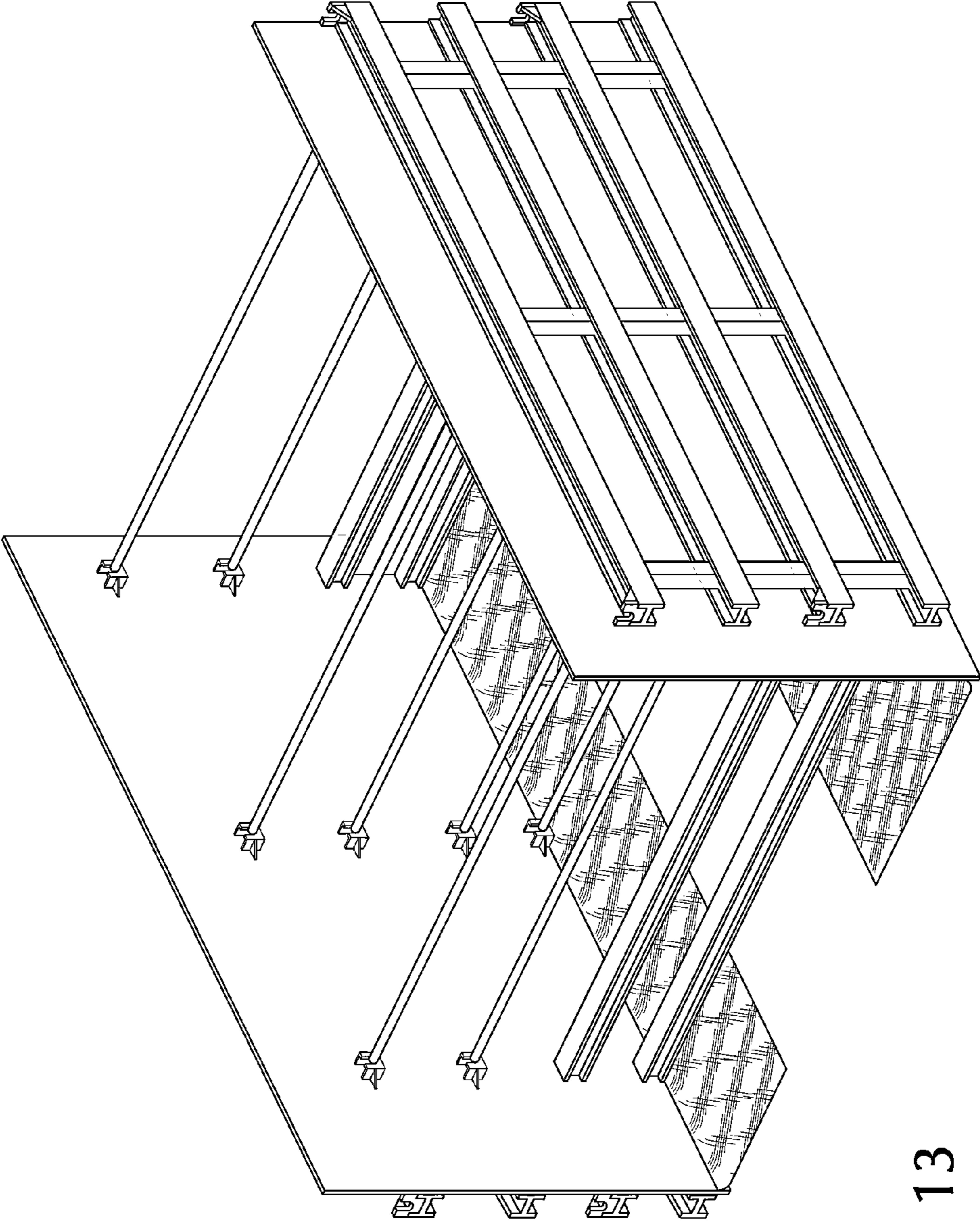


FIG. 13

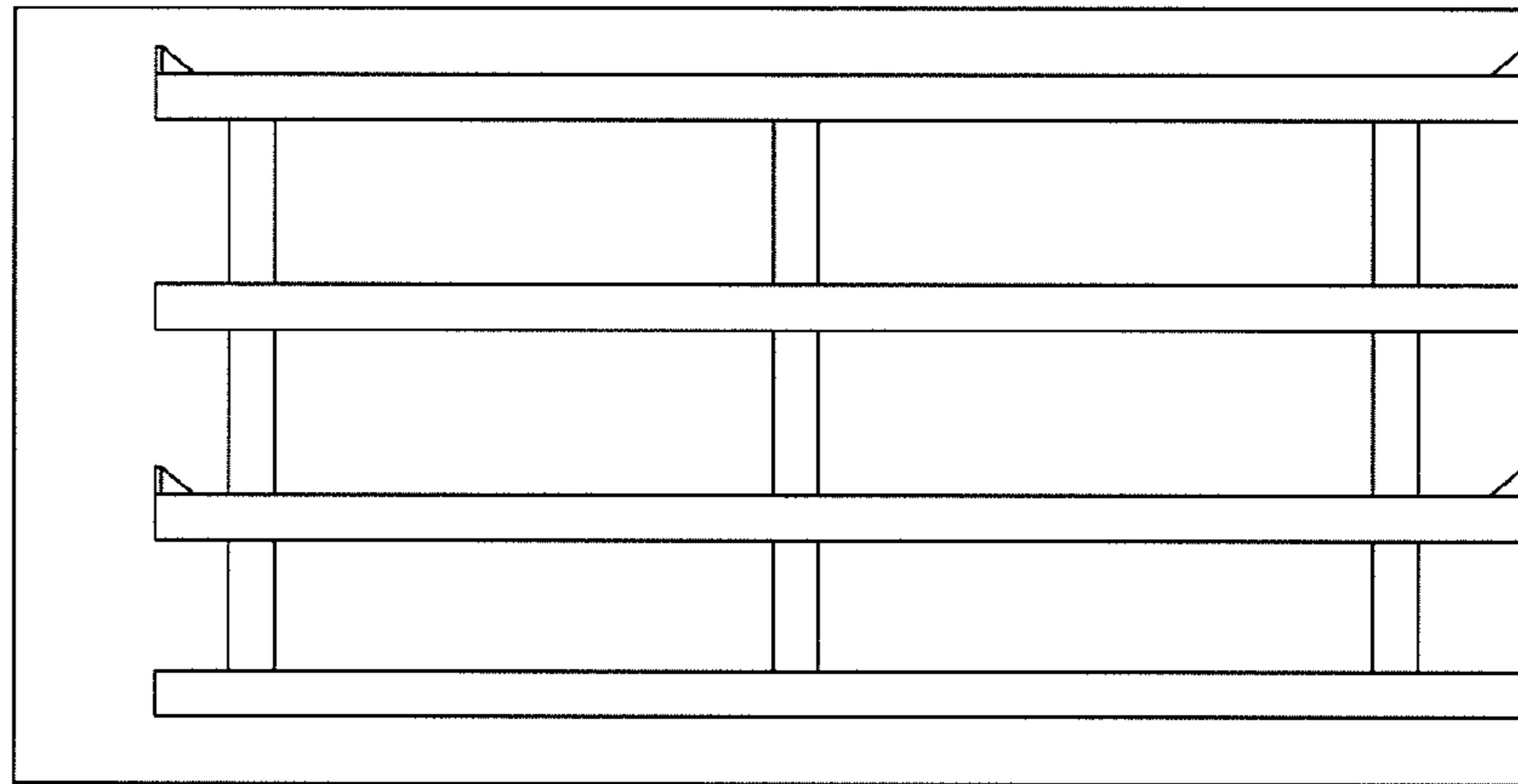


FIG. 14

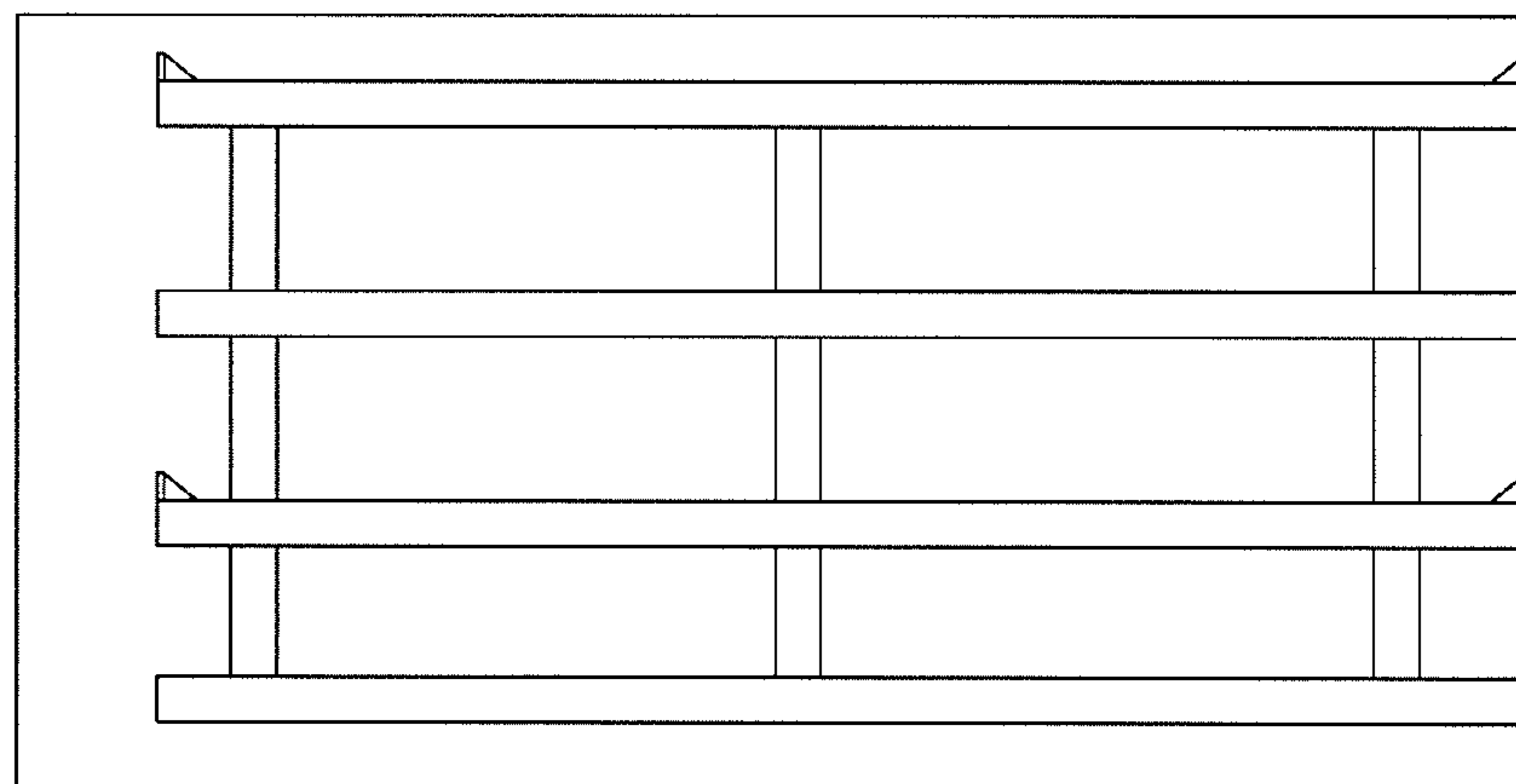


FIG. 15

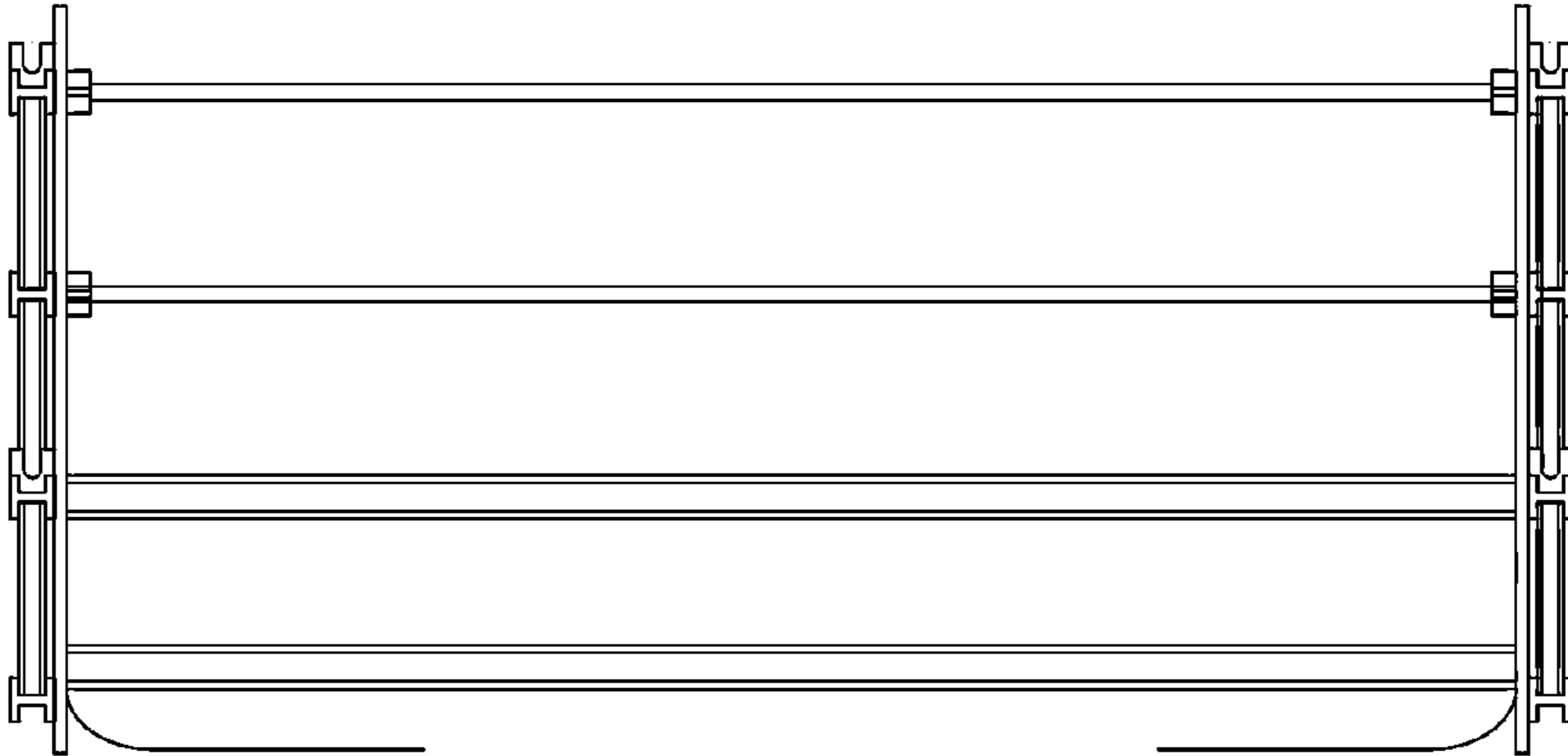


FIG. 16

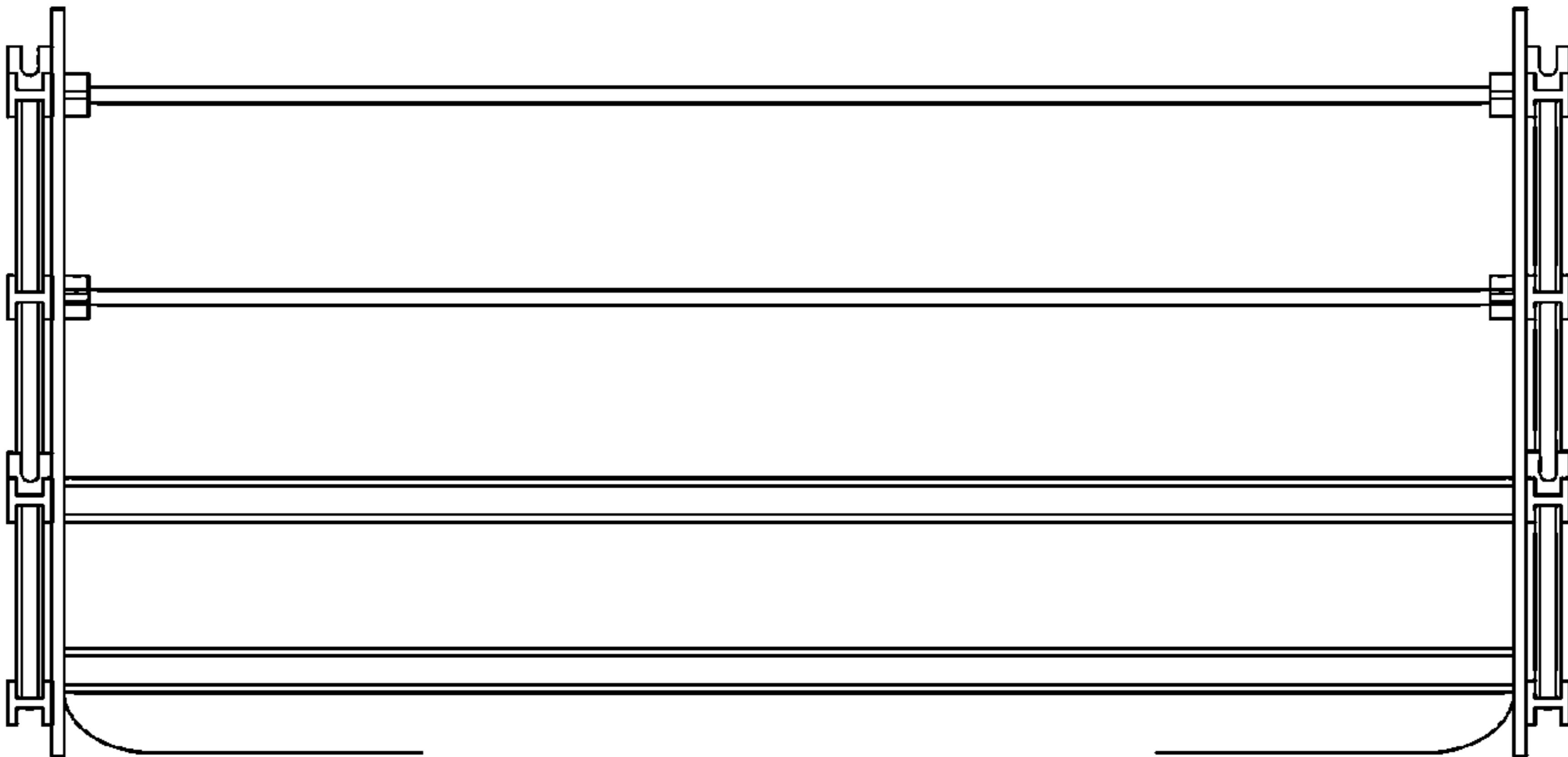


FIG. 17

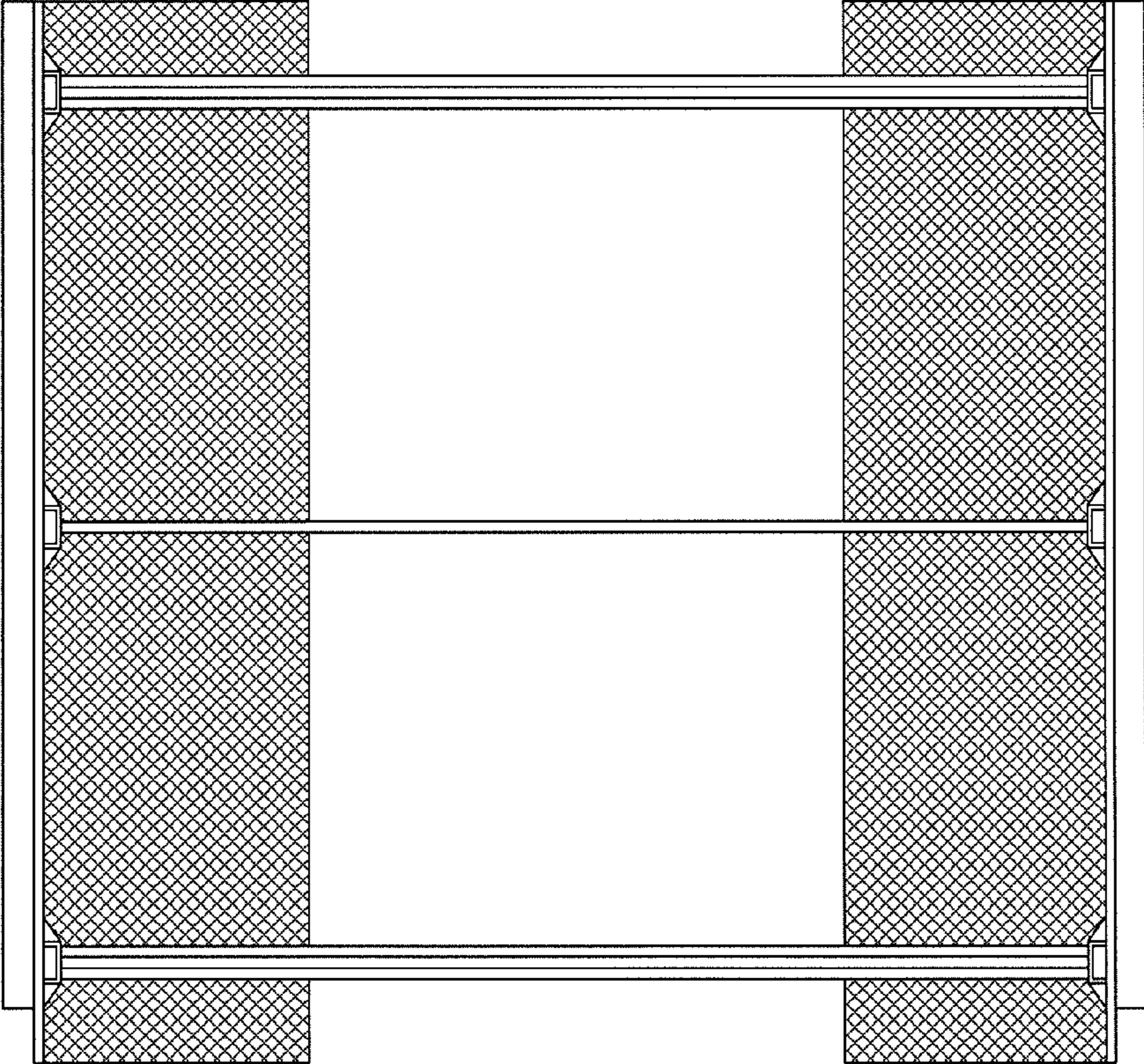


FIG. 18