



US00D692580S

(12) **United States Design Patent**
Gustafson et al.

(10) **Patent No.:** **US D692,580 S**

(45) **Date of Patent:** **** Oct. 29, 2013**

(54) **RAIL**

(71) Applicant: **Gustafson Guthrie Nichol Ltd.**, Seattle, WA (US)

(72) Inventors: **Kathryn Lynn Gustafson**, Vashon Island, WA (US); **Rodrigo Carlos Abela**, Arlington, VA (US); **Stacy Day Vayanos**, Seattle, WA (US); **Kelly Majewski**, Los Angeles, CA (US)

(73) Assignee: **Gustafson Guthrie Nichol Ltd.**, Seattle, WA (US)

(**) Term: **14 Years**

(21) Appl. No.: **29/452,021**

(22) Filed: **Apr. 11, 2013**

Related U.S. Application Data

(62) Division of application No. 29/417,437, filed on Apr. 3, 2012.

(51) **LOC (9) Cl.** **25-02**

(52) **U.S. Cl.**
USPC **D25/38.1**

(58) **Field of Classification Search**
USPC D25/38.1; 256/59, 65.01, 65.02, 65.09
See application file for complete search history.

(56) **References Cited**

U.S. PATENT DOCUMENTS

3,910,562 A * 10/1975 Helterbrand 256/69
5,749,808 A * 5/1998 Harris 482/52

6,113,077 A * 9/2000 Fargher et al. 256/65.02
D509,905 S * 9/2005 Baker D25/38.1
2008/0191185 A1 * 8/2008 Barnes et al. 256/67

OTHER PUBLICATIONS

Silhouette Railing System, manufactured by Forms and Surfaces, printout available online on Dec. 5, 2011 at <http://www.forms-surfaces.com/silhouette-railing-system>, 1 page.

* cited by examiner

Primary Examiner — Doris Clark

(74) *Attorney, Agent, or Firm* — Heslin Rothenberg Farley & Mesiti P.C.

(57) **CLAIM**

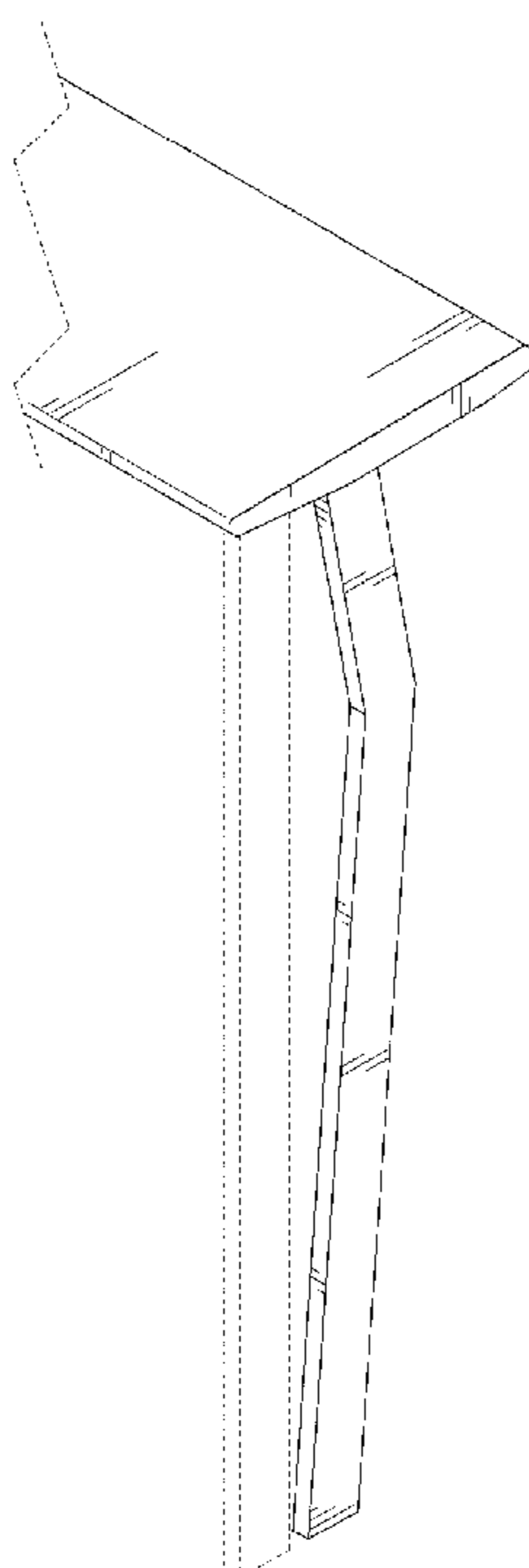
We claim the ornamental design for a rail, as shown and described.

DESCRIPTION

FIG. 1 is a perspective view of the rail of the present design; FIG. 2 is a right side elevation view thereof; FIG. 3 is a rear elevation view thereof; FIG. 4 is a left side elevation view thereof; FIG. 5 is a front elevation view thereof; and, FIG. 6 is a top plan view thereof.

The broken lines illustrate environmental structure and form no part of the claimed design.

1 Claim, 6 Drawing Sheets



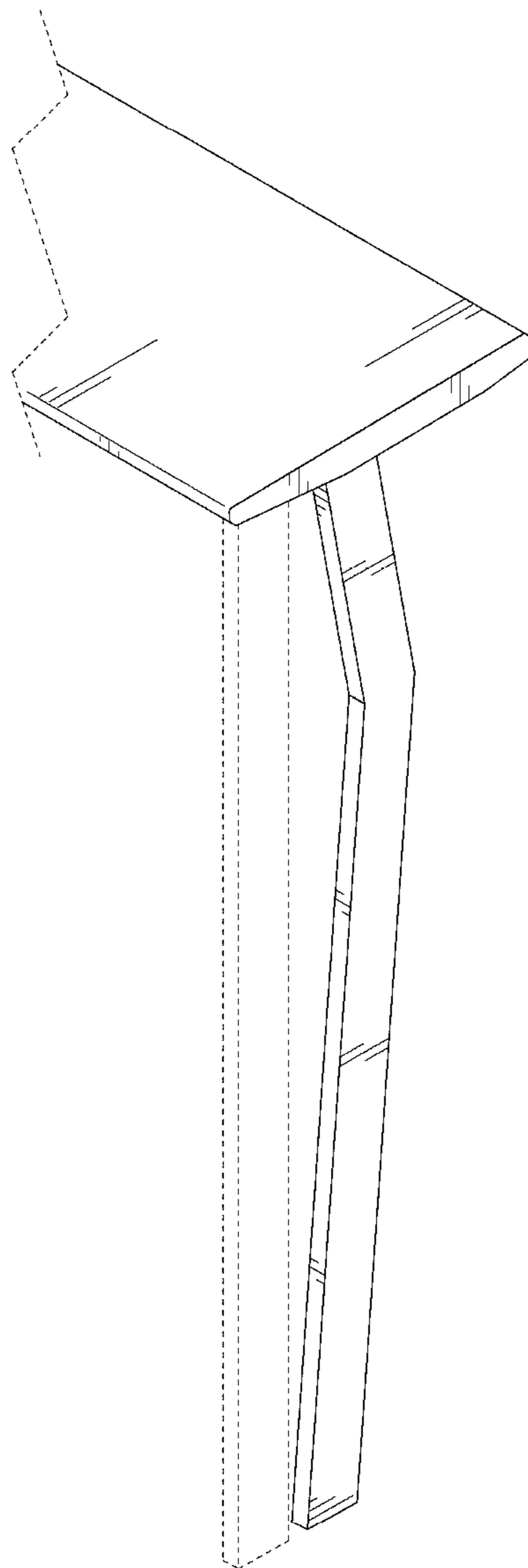


FIG. 1

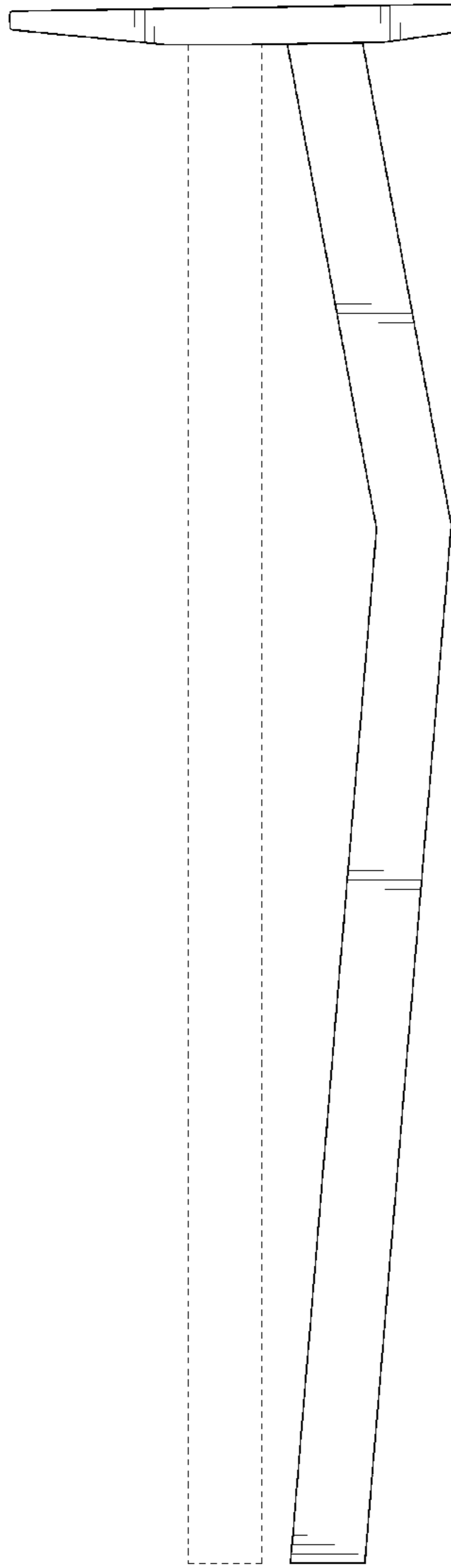


FIG. 2

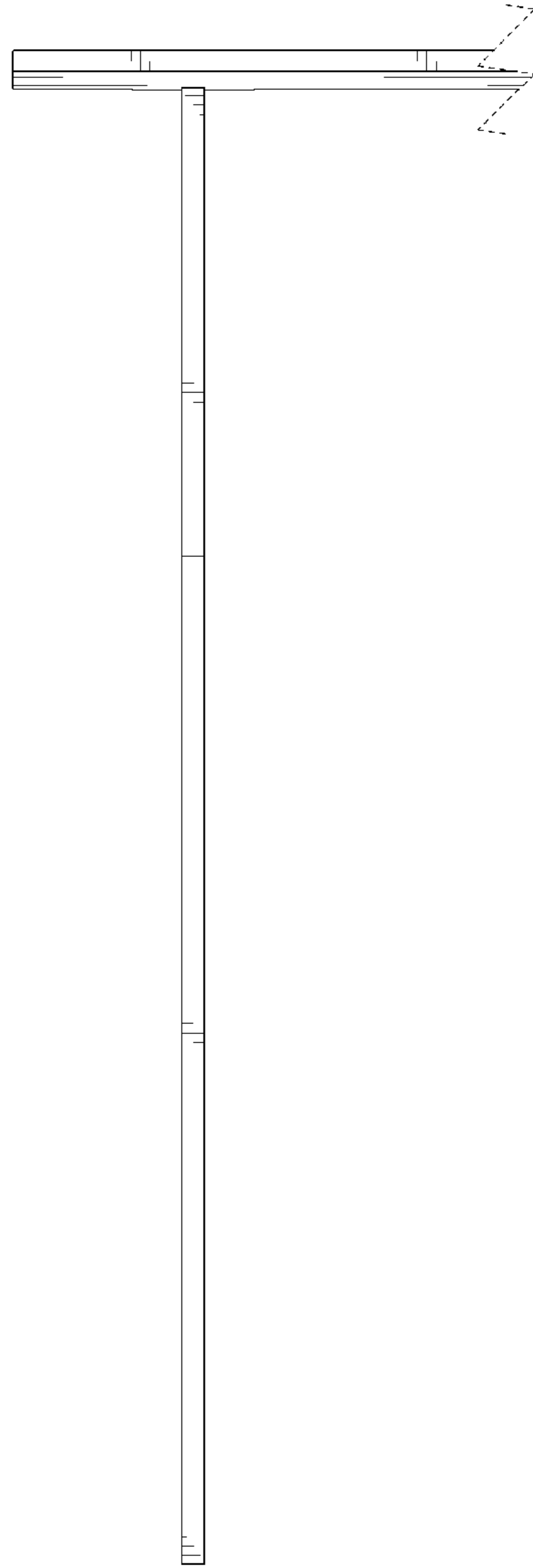


FIG. 3

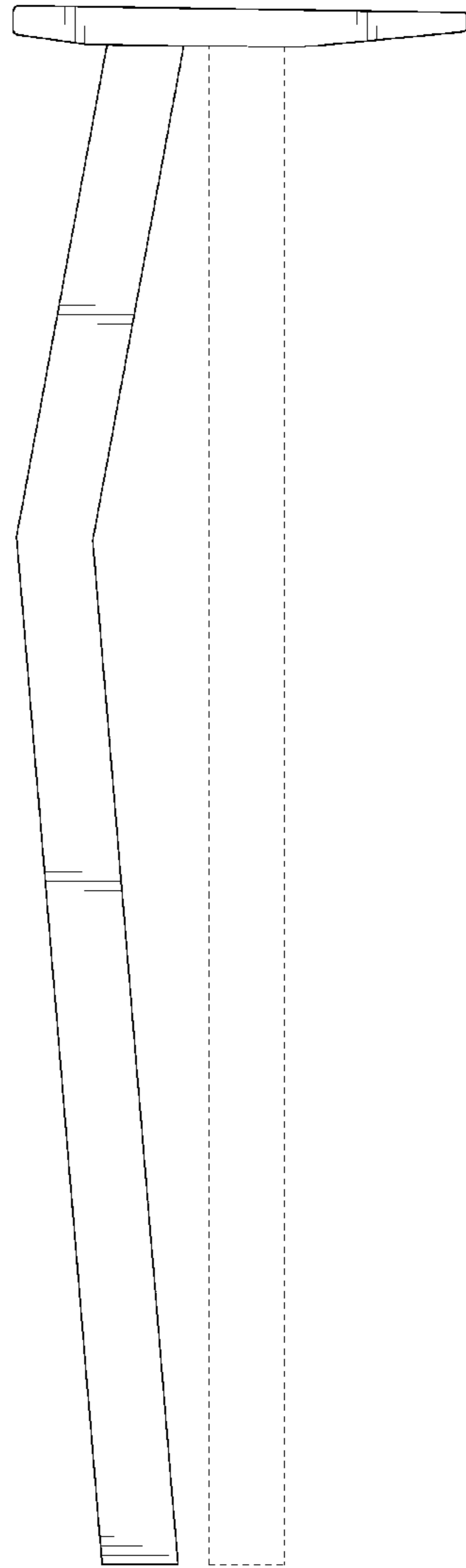


FIG. 4

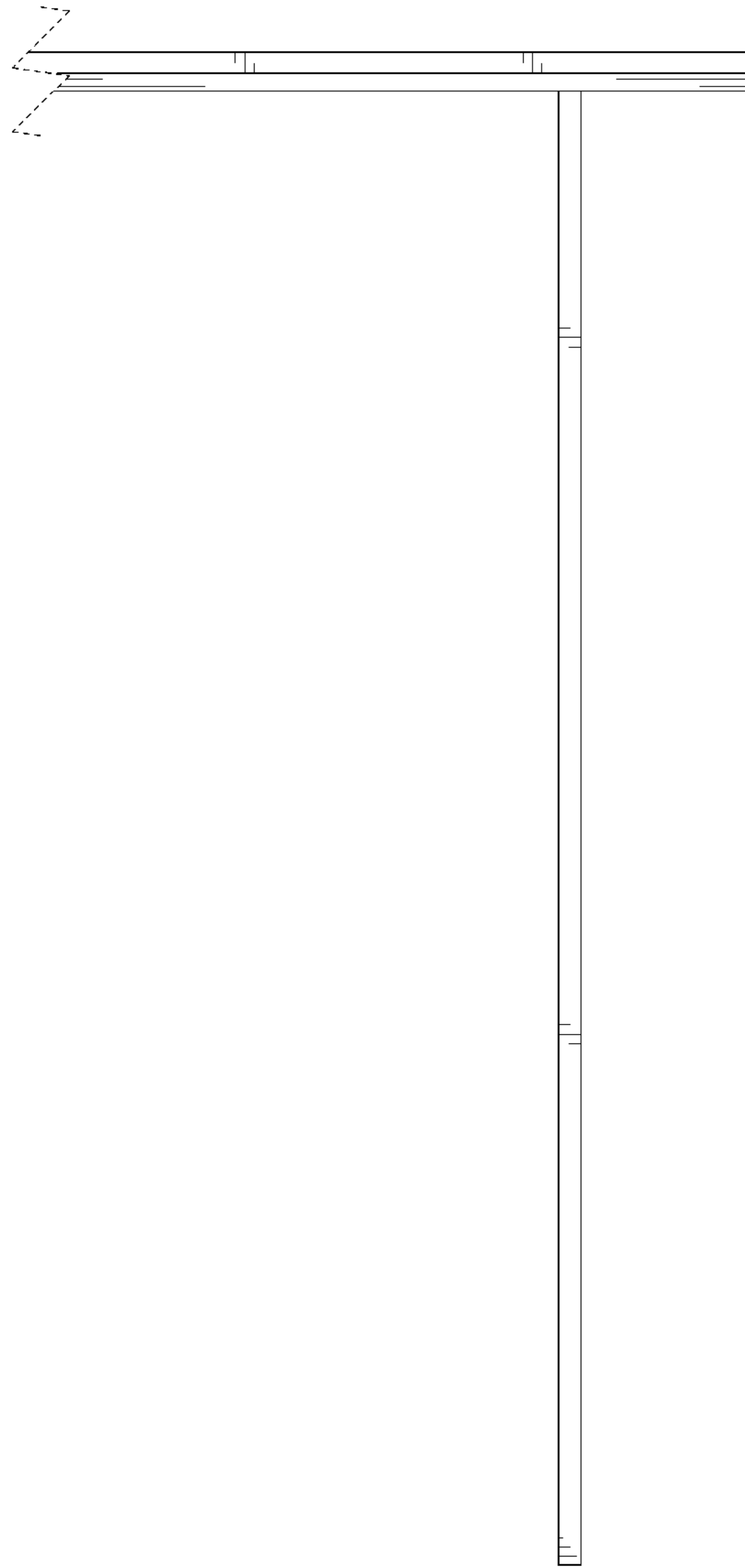


FIG. 5

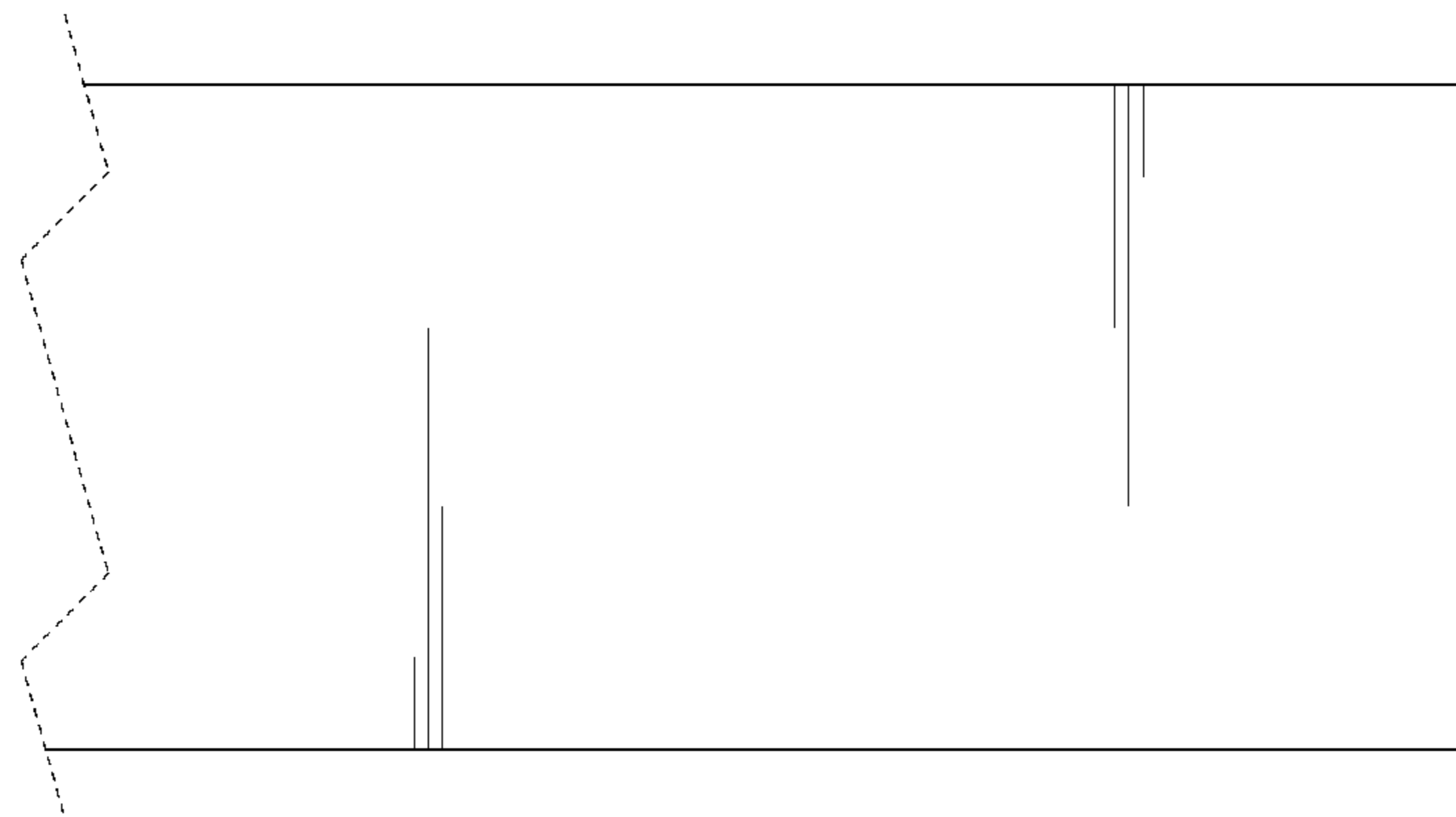


FIG. 6

UNITED STATES PATENT AND TRADEMARK OFFICE
CERTIFICATE OF CORRECTION

PATENT NO. : D692,580 S
APPLICATION NO. : 29/452021
DATED : October 29, 2013
INVENTOR(S) : Gustafson et al.

Page 1 of 1

It is certified that error appears in the above-identified patent and that said Letters Patent is hereby corrected as shown below:

On the Title Page

In the Related U.S. Application Data (62): Delete "Division of application No. 29/417,437, filed on
Apr. 3, 2012." and insert -- Division of application No. 29/412,437, filed on Apr. 3, 2012. --

Signed and Sealed this
Eleventh Day of November, 2014



Michelle K. Lee
Deputy Director of the United States Patent and Trademark Office