



US00D692579S

(12) **United States Design Patent**
Wirtz et al.

(10) **Patent No.:** **US D692,579 S**

(45) **Date of Patent:** **** Oct. 29, 2013**

- (54) **STORM SHELTER BODY**
- (71) Applicant: **A to Z Machining Service, L.L.C.**,
Ponca City, OK (US)
- (72) Inventors: **Jerry Wirtz**, Ponca City, OK (US);
Mike Vaughn, Ketchum, OK (US)
- (**) Term: **14 Years**
- (21) Appl. No.: **29/449,699**
- (22) Filed: **Mar. 15, 2013**
- (51) **LOC (9) Cl.** **25-03**
- (52) **U.S. Cl.**
USPC **D25/33**
- (58) **Field of Classification Search**
USPC D25/1-33; 52/169.6, 164.14, 79.1,
52/79.9, 79.14, 143; 135/900-901, 902,
135/137, 116, 156
See application file for complete search history.

6,161,345	A *	12/2000	Hope et al.	52/169.6
D466,220	S *	11/2002	Watson	D25/36
D575,878	S *	8/2008	Bartlett	D25/33
D640,390	S *	6/2011	Wirtz	D25/33
D683,468	S *	5/2013	Gill	D25/2
2003/0167708	A1 *	9/2003	Shaw et al.	52/169.6
2007/0022678	A1 *	2/2007	Sempel	52/169.6
2008/0196329	A1 *	8/2008	Kennedy et al.	52/169.6

* cited by examiner

Primary Examiner — Eric Goodman
(74) *Attorney, Agent, or Firm* — Edward L. White

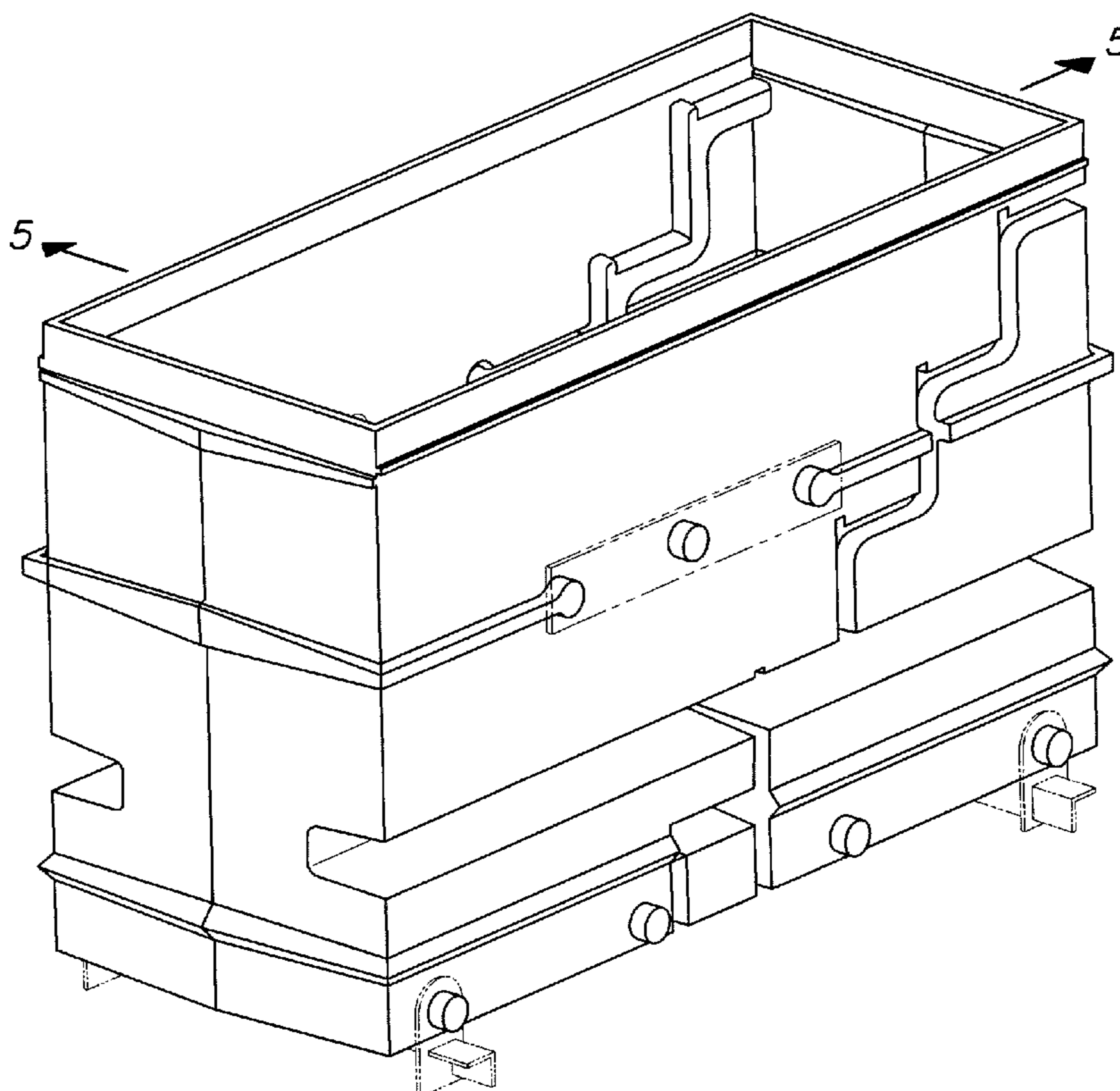
(57) **CLAIM**
The ornamental design for a storm shelter body, as shown and described.

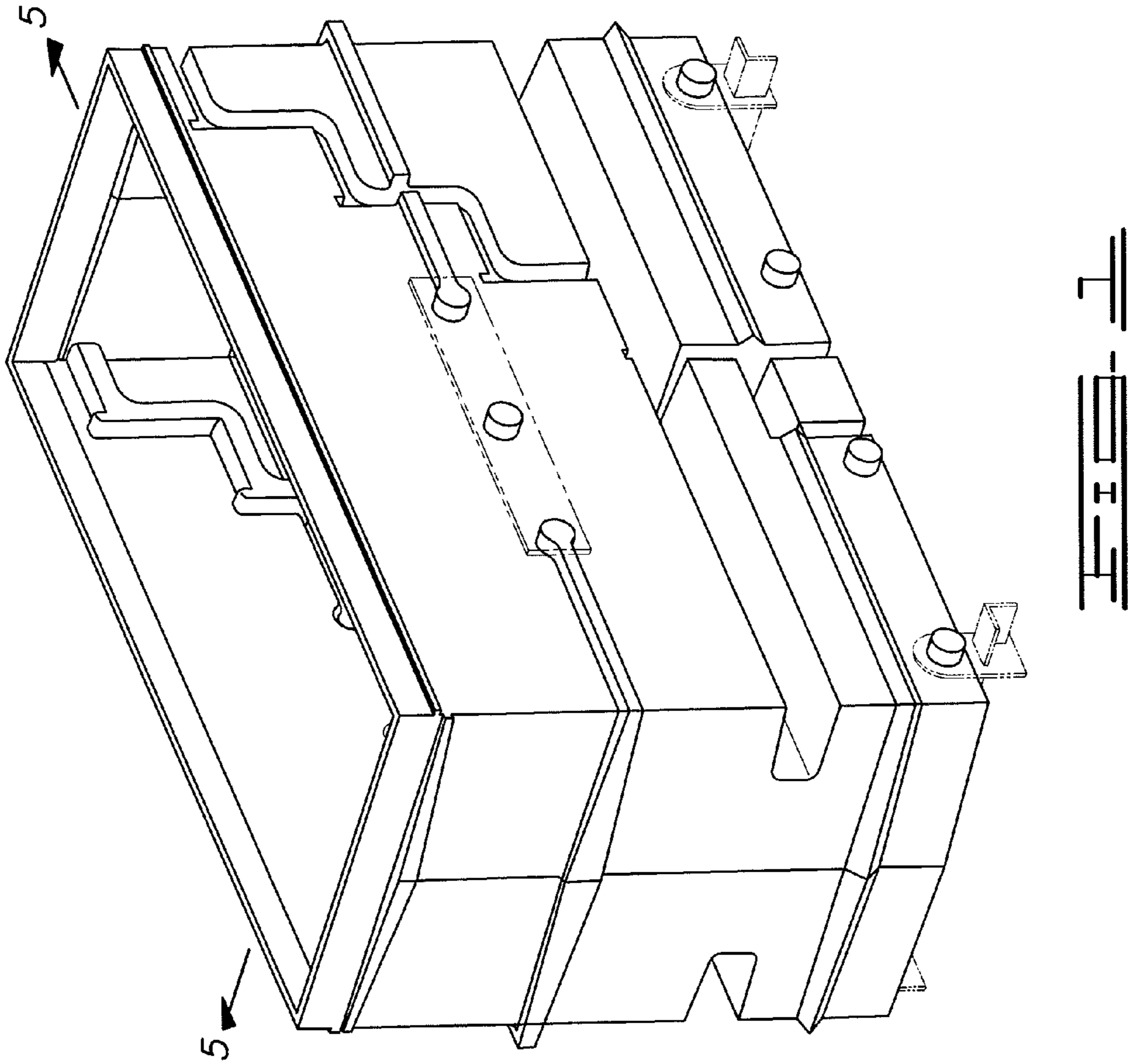
DESCRIPTION

FIG. 1 is a perspective view.
 FIG. 2 is a right side view.
 FIG. 3 is a top view.
 FIG. 4 is a front view.
 FIG. 5 is a perspective sectional view along lines 5-5 from FIG. 1.
 FIG. 6 is a sectional left side view along line 6-6 from FIG. 3
 FIG. 7 is a sectional view along line 7-7 from FIG. 3; and,
 FIG. 8 is a sectional view along line 8-8 from FIG. 3.
 The broken line showing is included for the purpose of illustrating portions of the article and forms no part of the claimed design.

1 Claim, 6 Drawing Sheets

- (56) **References Cited**
U.S. PATENT DOCUMENTS
984,942 A * 2/1911 Leddy 52/169.6
D241,737 S * 10/1976 Stout D25/36
D242,446 S * 11/1976 McNabb D25/36
4,955,166 A * 9/1990 Qualline et al. 52/169.6
5,953,866 A * 9/1999 Poole 52/169.6
6,085,475 A * 7/2000 Parks et al. 52/169.6





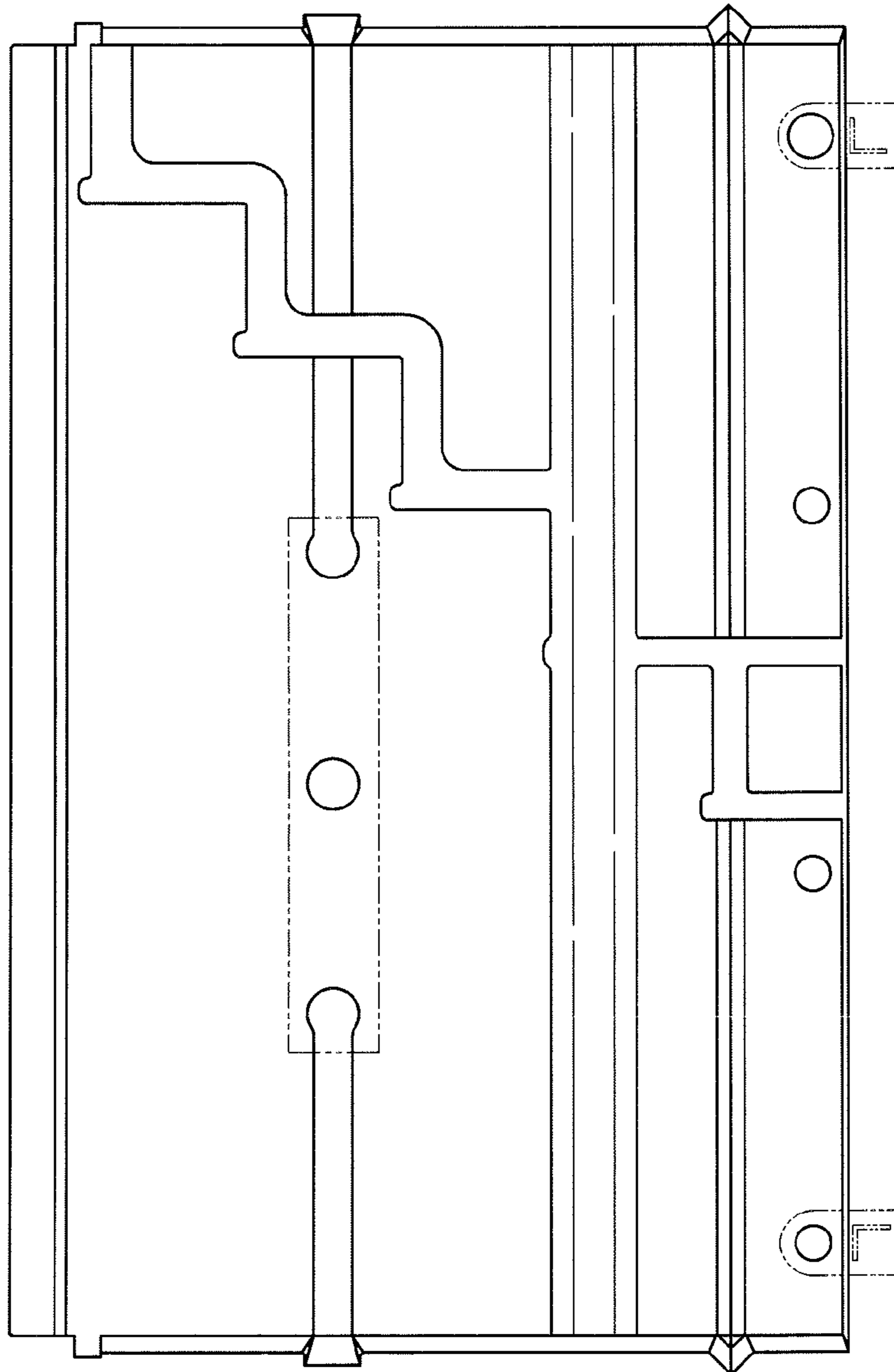


FIG. 2

