



US00D692578S

(12) **United States Design Patent**
Kikuhara et al.

(10) **Patent No.:** **US D692,578 S**

(45) **Date of Patent:** **** Oct. 29, 2013**

(54) **COMPONENT FOR A CELL-COLLECTING CARTRIDGE**

D351,913 S * 10/1994 Hieb et al. D24/223

(Continued)

(71) Applicants: **Hitachi Chemical Company, Ltd.**,
Tokyo (JP); **National University Corporation Tokyo University of Agriculture and Technology**, Fuchu (JP)

OTHER PUBLICATIONS

Masahito Hosokawa, et al., "Development of Microcavity Array System for Enumeration of Circulating Tumor Cells from Whole Blood," Biosensors 2012, May 2012.

(72) Inventors: **Yoshihito Kikuhara**, Oyama (JP);
Masafumi Kanetomo, Tokyo (JP);
Masahito Hosokawa, Fuchu (JP);
Tomoko Yoshino, Fuchu (JP); **Tadashi Matsunaga**, Fuchu (JP)

Primary Examiner — Anhdao Doan

(74) *Attorney, Agent, or Firm* — Antonelli, Terry, Stout & Kraus, LLP.

(73) Assignees: **Hitachi Chemical Company, Ltd.**,
Tokyo (JP); **National University Corporation Tokyo University of Agriculture and Technology**, Tokyo (JP)

(57) **CLAIM**

The ornamental design for a component for a cell-collecting cartridge, as shown and described.

(**) Term: **14 Years**

DESCRIPTION

(21) Appl. No.: **29/440,685**

FIG. 1 is a front view of a component for a cell-collecting cartridge of the present invention.

(22) Filed: **Dec. 26, 2012**

FIG. 2 is a rear view of the component for a cell-collecting cartridge of FIG. 1.

(30) **Foreign Application Priority Data**

Oct. 26, 2012 (JP) 2012-026152

FIG. 3 is a left side view of the component for a cell-collecting cartridge of FIG. 1.

(51) **LOC (9) Cl.** **24-01**

FIG. 4 is a right side view of the component for a cell-collecting cartridge of FIG. 1.

(52) **U.S. Cl.**
USPC **D24/216**

FIG. 5 is a top view of the component for a cell-collecting cartridge of FIG. 1.

(58) **Field of Classification Search**
USPC D24/216, 223, 224, 225, 226, 227, 231,
D24/232, 233, 107, 169, 186; D10/81;
422/62-65, 67, 500, 547, 551, 552,
422/554; 436/43, 45, 47; 435/287.1, 287.3,
435/288.2, 288.4, 288.5, 305.1, 305.2;
73/64.56, 864.91, 865.9

FIG. 6 is a bottom view of the component for a cell-collecting cartridge of FIG. 1.

See application file for complete search history.

FIG. 7 is a perspective view of the component for a cell-collecting cartridge of FIG. 1; and,

(56) **References Cited**

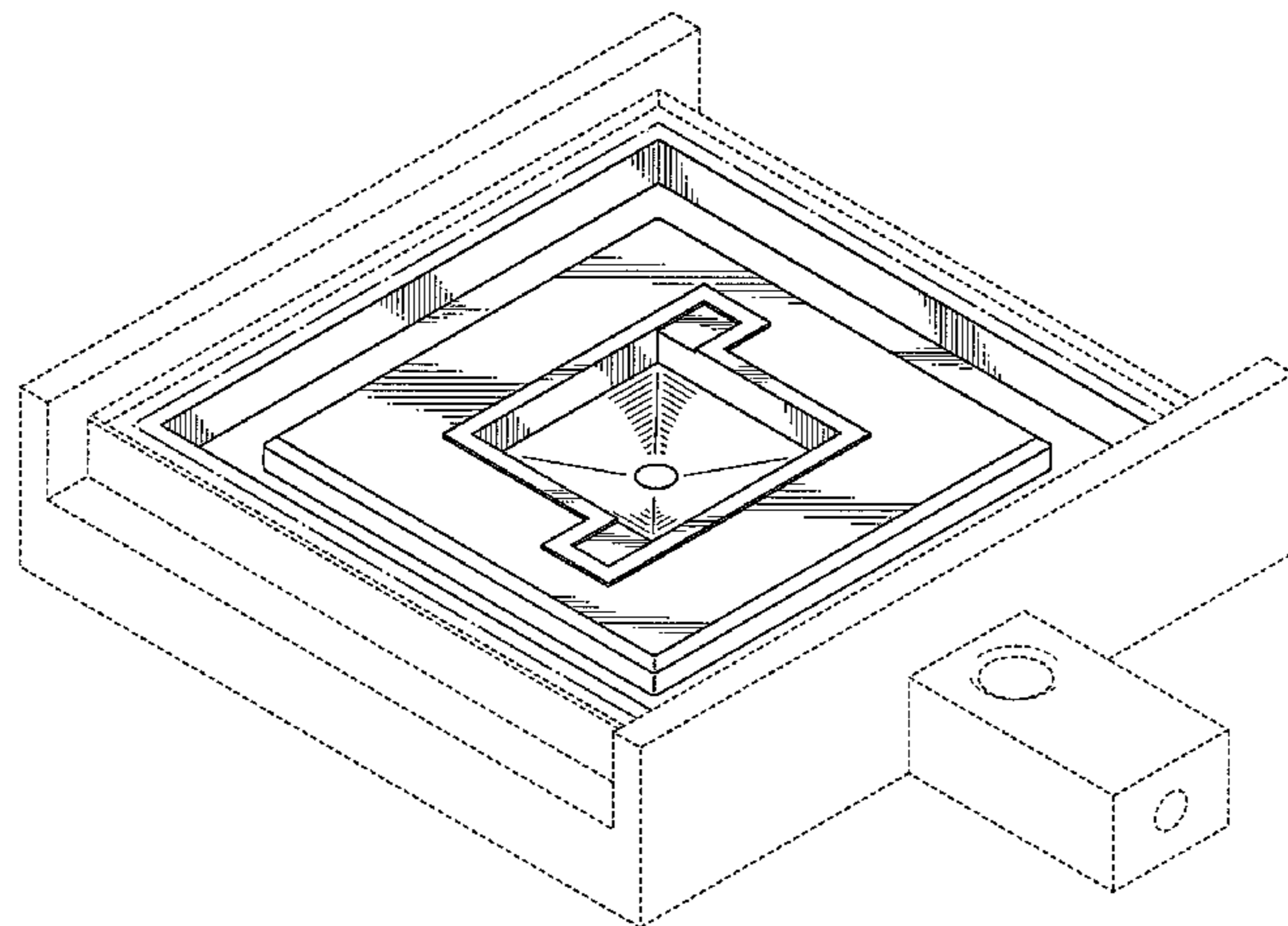
FIG. 8 is a sectional view taken along line 8-8 of the component for a cell-collecting cartridge of FIG. 1, in which the internal components are omitted.

U.S. PATENT DOCUMENTS

The whole of the portion of the component for a cell-collecting cartridge is semi-transparent. The alternate dash-dot lines in FIGS. 1 and 7 represent the bounds of the claim, and the other broken lines represent the unclaimed portions of the component for a cell-collecting cartridge. None of the broken lines form a part of the claimed design.

D333,187 S * 2/1993 Omi D24/225

1 Claim, 8 Drawing Sheets



(56)

References Cited

U.S. PATENT DOCUMENTS

5,849,208 A * 12/1998 Hayes et al. 435/287.1
D495,805 S * 9/2004 Lea et al. D24/223
D500,142 S * 12/2004 Crisanti et al. D24/224
D639,975 S * 6/2011 Doyle et al. D24/225

D681,843 S * 5/2013 Nemeth D24/224
2003/0118477 A1 * 6/2003 Liljestrand et al. 422/68.1
2005/0070012 A1 * 3/2005 Muraishi 435/287.2
2009/0170189 A1 * 7/2009 Park et al. 435/288.7
2010/0247377 A1 * 9/2010 Tsutsumida et al. 422/64
2011/0150705 A1 * 6/2011 Doyle et al. 422/68.1

* cited by examiner

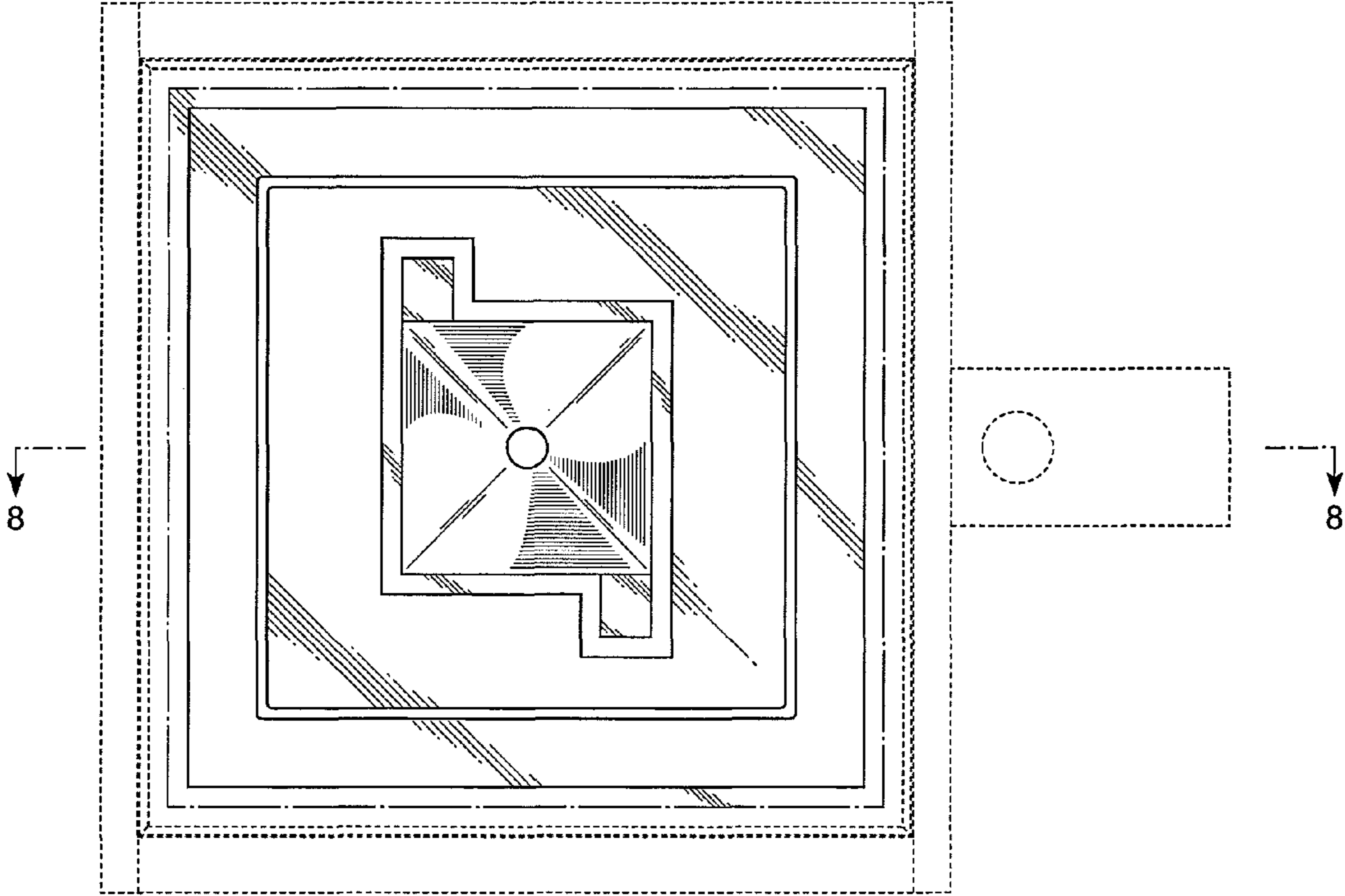


FIG. 1

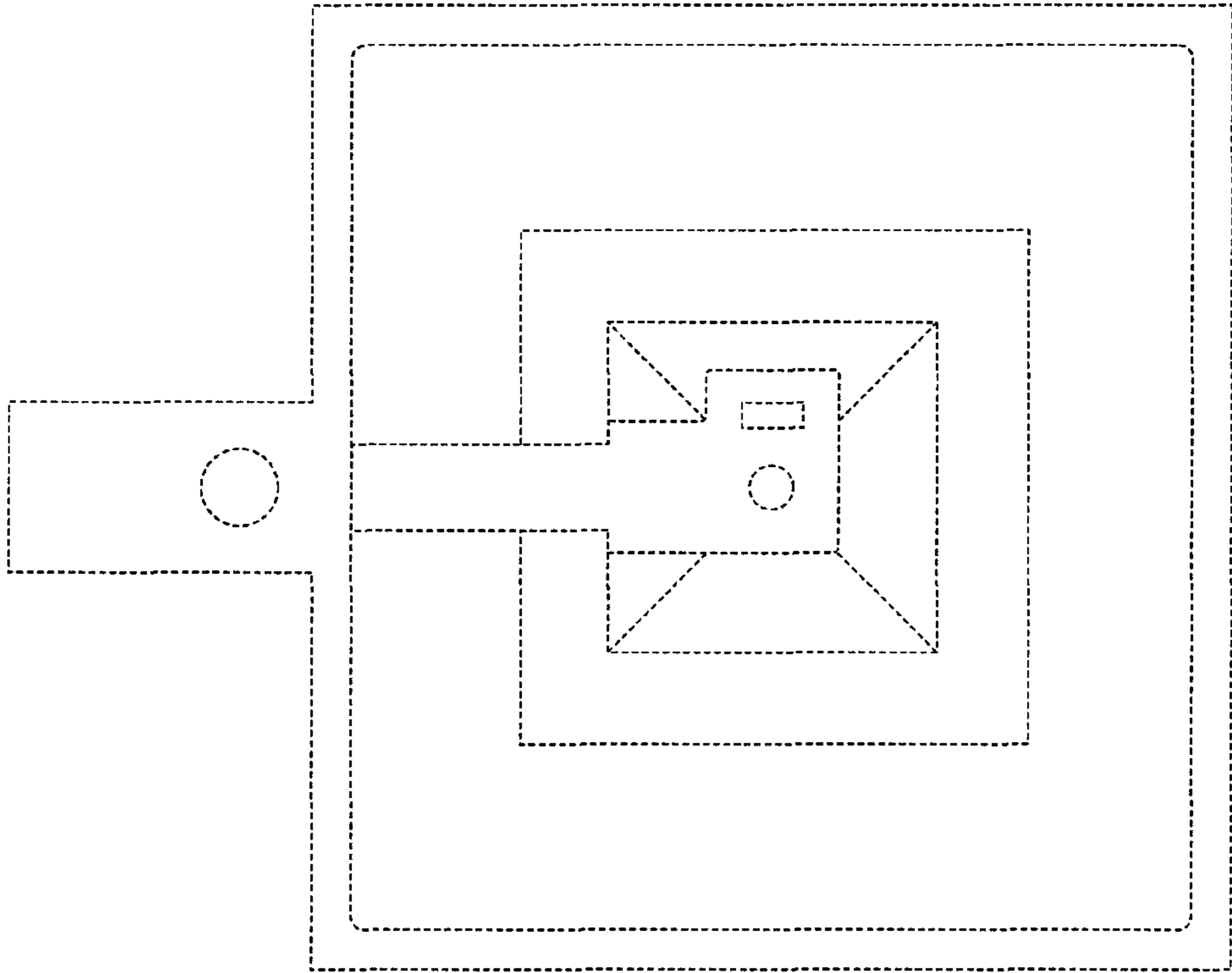


FIG. 2

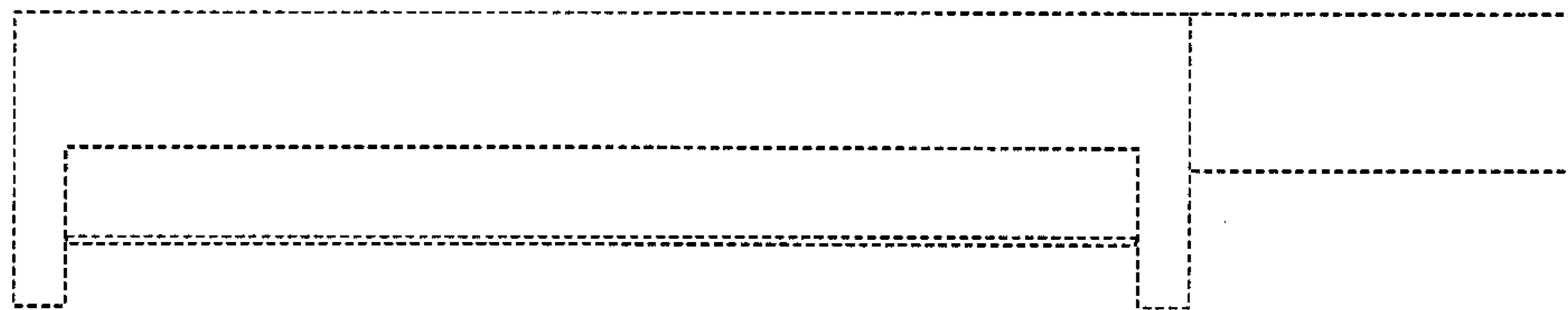


FIG. 3

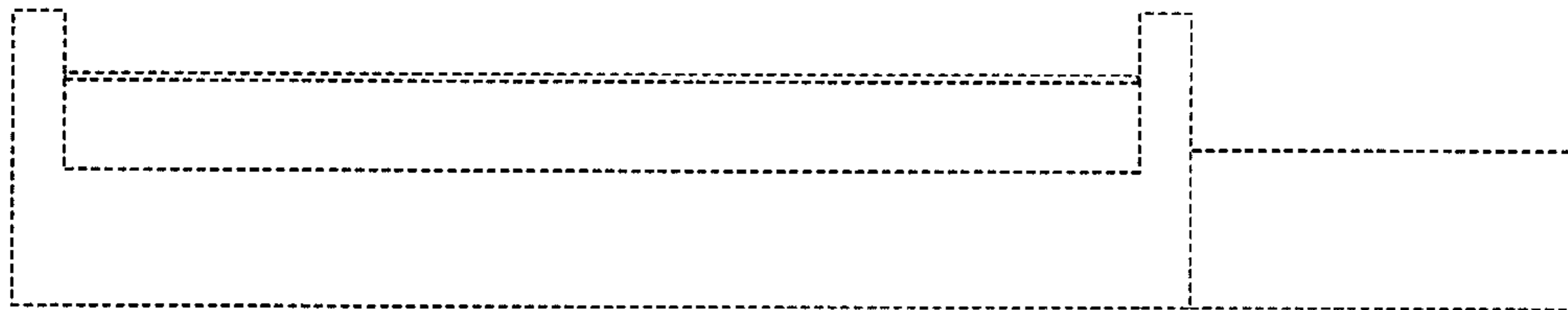


FIG. 4

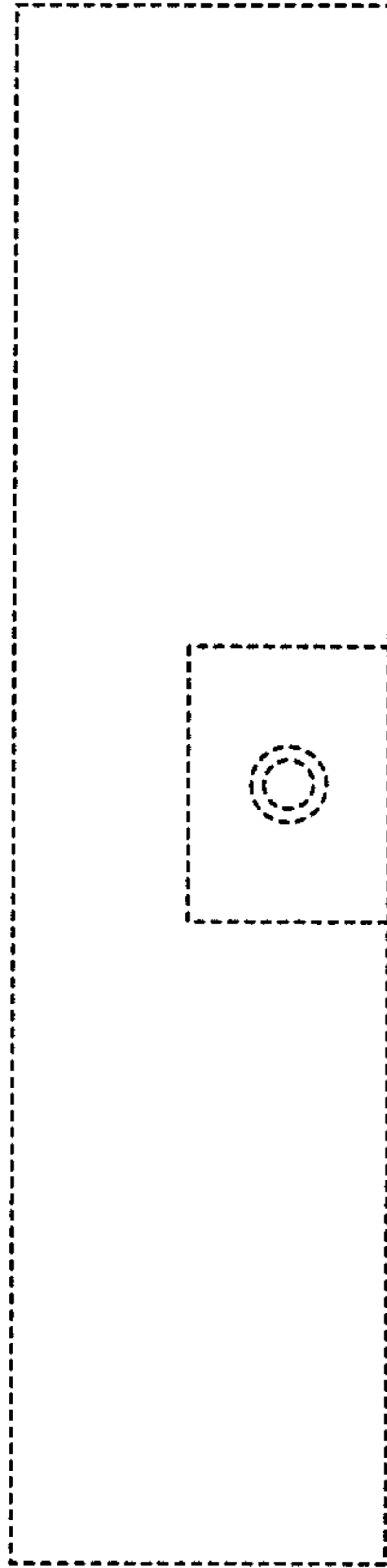


FIG. 5

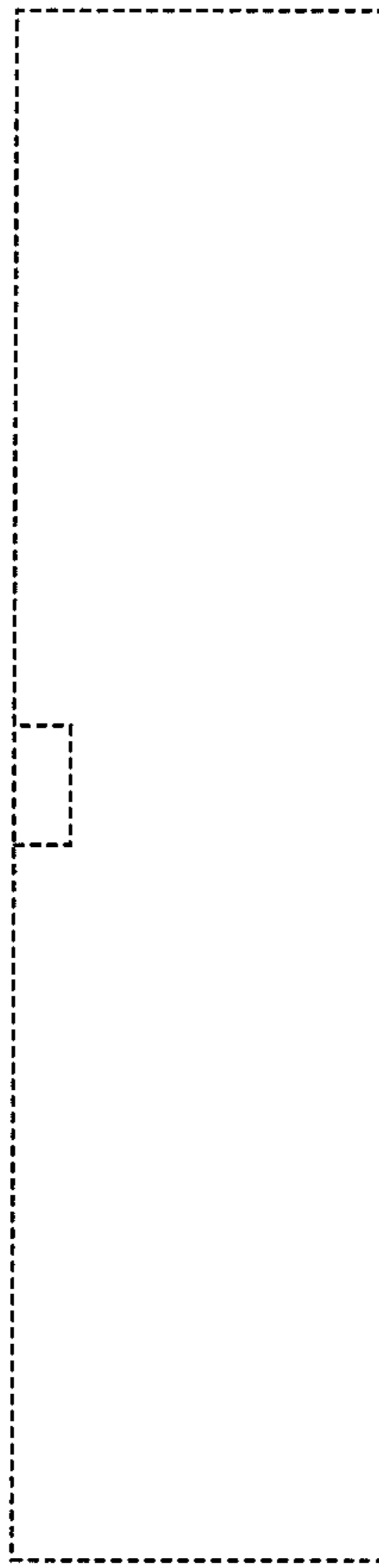


FIG. 6

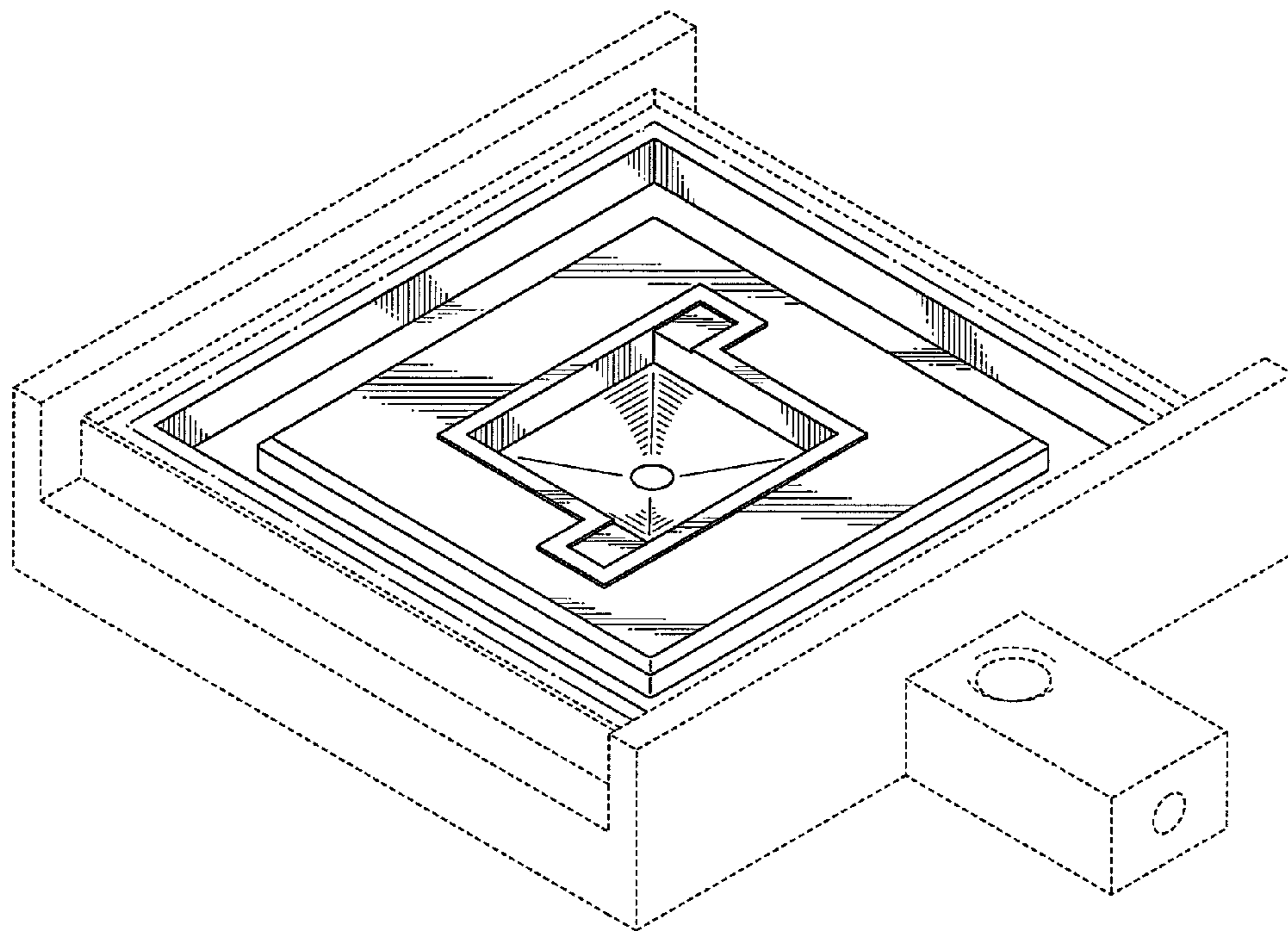


FIG. 7

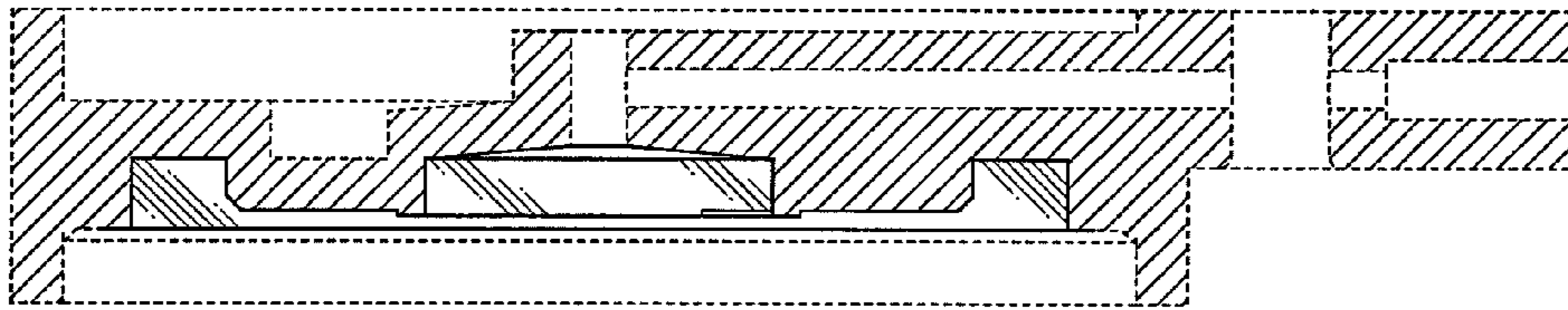


FIG. 8