



US00D692577S

(12) **United States Design Patent**  
**Steinman et al.**

(10) **Patent No.:** **US D692,577 S**  
(45) **Date of Patent:** **\*\* Oct. 29, 2013**

(54) **ORGAN OR TISSUE CRADLE**  
(75) Inventors: **Christopher P. Steinman**, Sandy, UT (US); **Rick W. Walker**, Stow, OH (US); **Kirk C. Palmerton**, Kent, OH (US); **Jeffrey S. Louis**, Akron, OH (US); **David Pettinato**, Schaumburg, IL (US); **Matthew Copithorne**, Framingham, MA (US); **Brian L Otts**, Warrior, AL (US); **Peter Demuylder**, Ebbing (BE); **James Guarrera**, New York, NY (US)

5,697,921 A \* 12/1997 Blair ..... 604/317  
D468,436 S \* 1/2003 Brassil et al. .... D24/216  
D470,594 S \* 2/2003 Brassil et al. .... D24/216  
D531,320 S \* 10/2006 Garland et al. .... D24/216  
D584,387 S \* 1/2009 Lee et al. .... D23/285  
D608,633 S \* 1/2010 Elmerhaus ..... D24/205  
D627,062 S \* 11/2010 Tanguay ..... D24/123  
D638,137 S \* 5/2011 Gross et al. .... D24/227  
D669,979 S \* 10/2012 Adams ..... D24/123  
D671,228 S \* 11/2012 Perrin et al. .... D24/232  
D674,482 S \* 1/2013 Wurapa ..... D24/121

\* cited by examiner

(73) Assignee: **Lifeline Scientific, Inc.**, Itasca, IL (US)

*Primary Examiner* — Anhdao Doan

(\*\*) Term: **14 Years**

(74) *Attorney, Agent, or Firm* — Oliff & Berridge, PLC

(21) Appl. No.: **29/426,757**

(57) **CLAIM**

The ornamental design for an organ or tissue cradle, as shown and described.

(22) Filed: **Jul. 10, 2012**

**DESCRIPTION**

(51) **LOC (9) Cl.** ..... **24-01**

(52) **U.S. Cl.**

USPC ..... **D24/216**

(58) **Field of Classification Search**

USPC ..... D24/107, 123, 216, 224, 227, 229,  
D24/230–232; D10/81; 62/78, 457.1, 457.2,  
62/457.9; 435/1.1, 1.2, 1.3, 284.1, 307.1;  
D6/456; 422/500, 547

See application file for complete search history.

FIG. 1 is a perspective view of an organ or tissue cradle;  
FIG. 2 is a front view thereof;  
FIG. 3 is a top view thereof;  
FIG. 4 is a right-side view thereof;  
FIG. 5 is a left-side view thereof;  
FIG. 6 is a rear view thereof;  
FIG. 7 is a bottom view thereof;  
FIG. 8 is a cross sectional view thereof taken along lines 8-8 in FIG. 3; and,  
FIG. 9 is a cross sectional view thereof taken along lines 9-9 in FIG. 3.

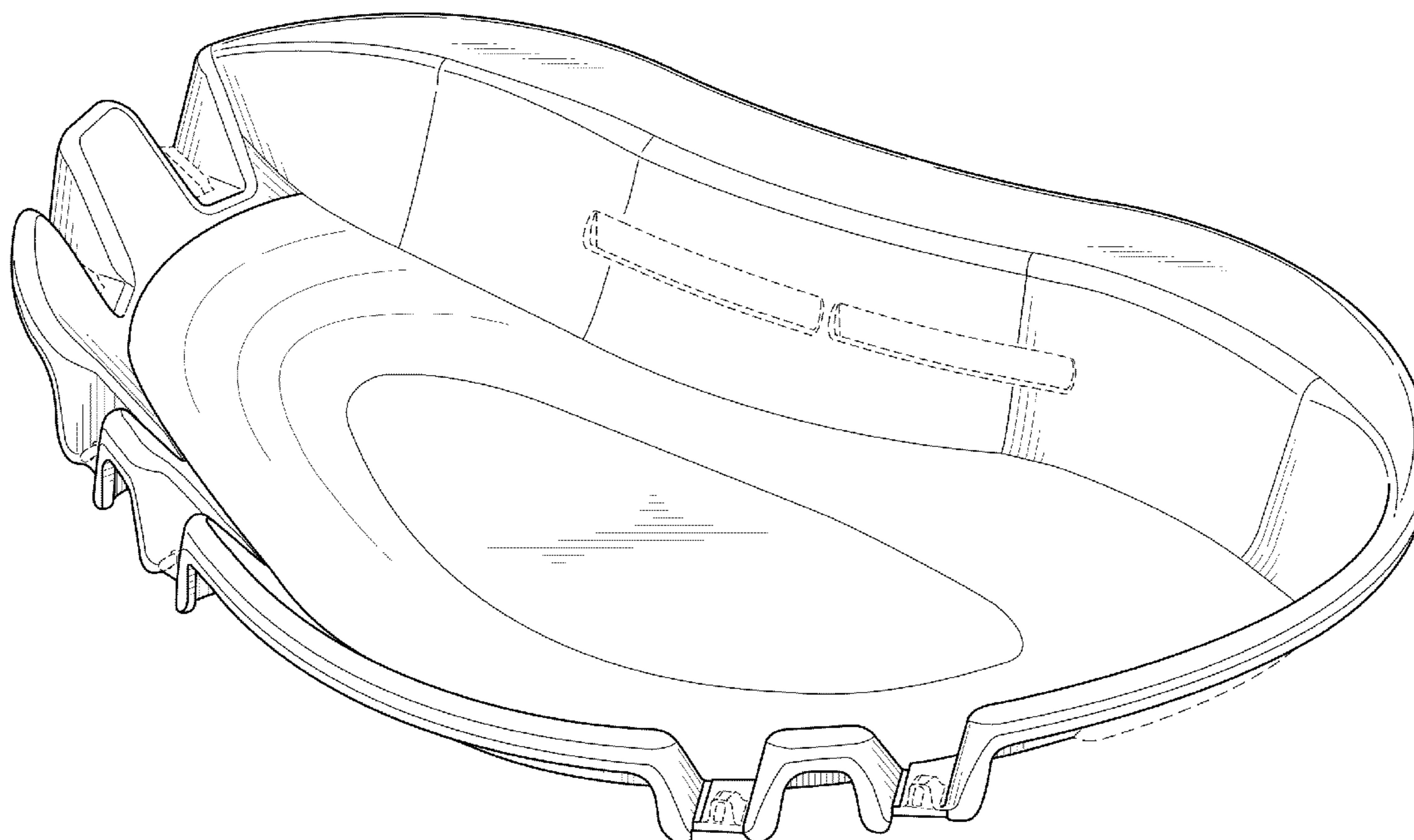
The broken lines depict unclaimed portions only and form no part of the claimed design.

(56) **References Cited**

**U.S. PATENT DOCUMENTS**

3,249,950 A \* 5/1966 Wilson ..... D24/123  
D342,784 S \* 12/1993 Passiak et al. .... D24/123

**1 Claim, 7 Drawing Sheets**



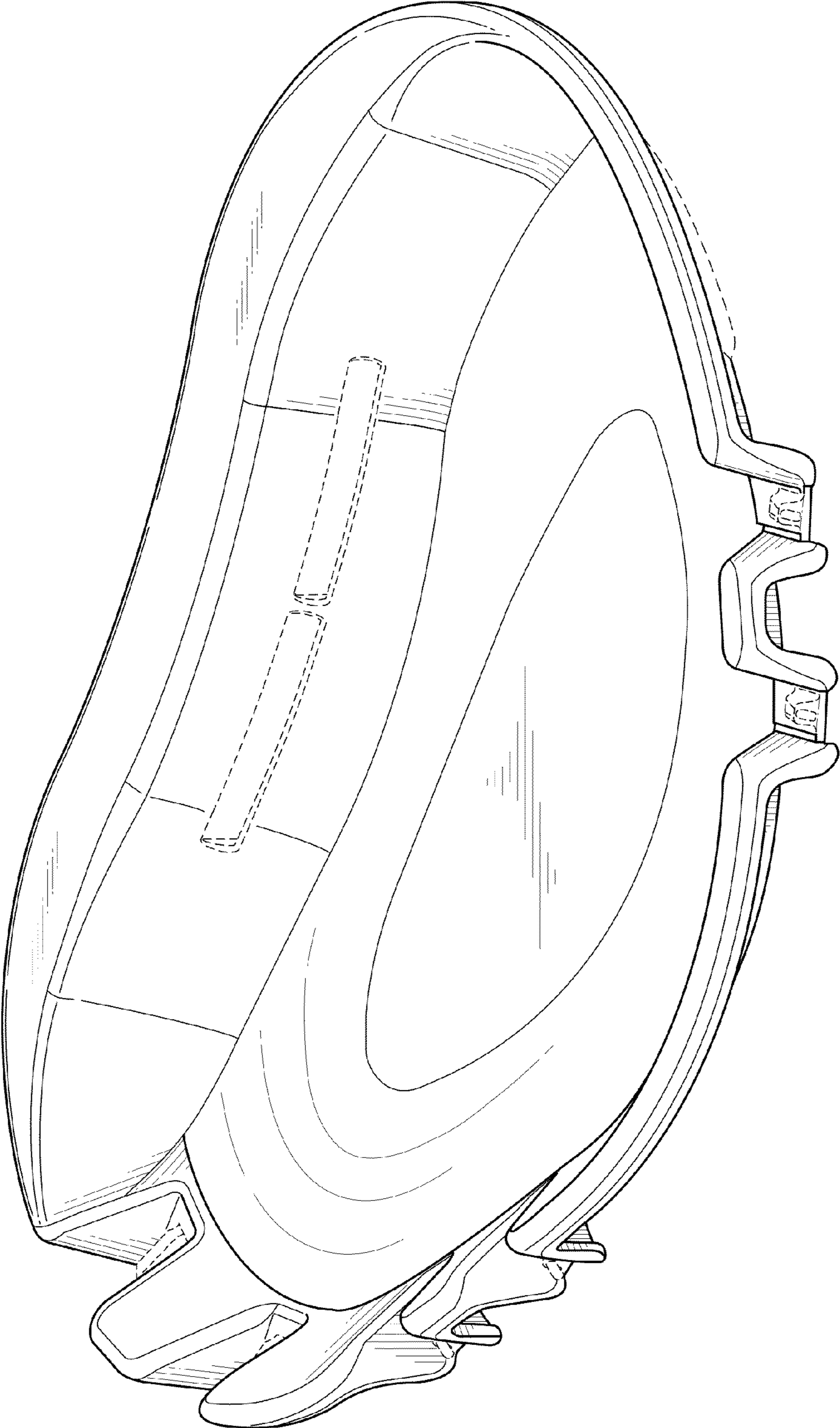


FIG. 1

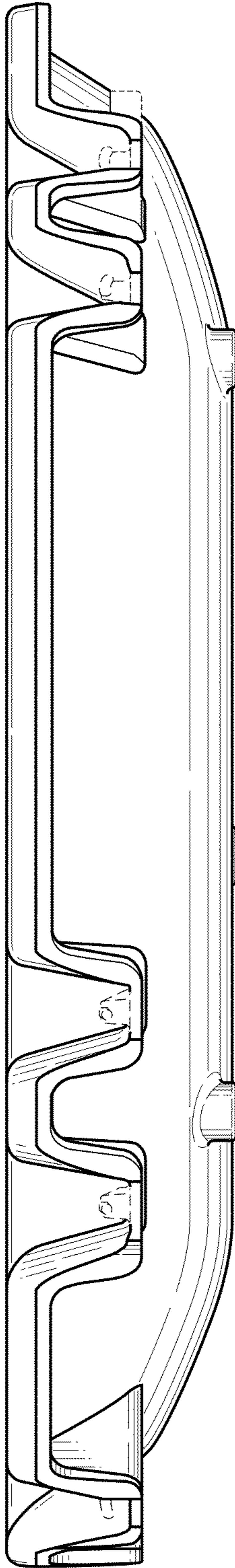


FIG. 2

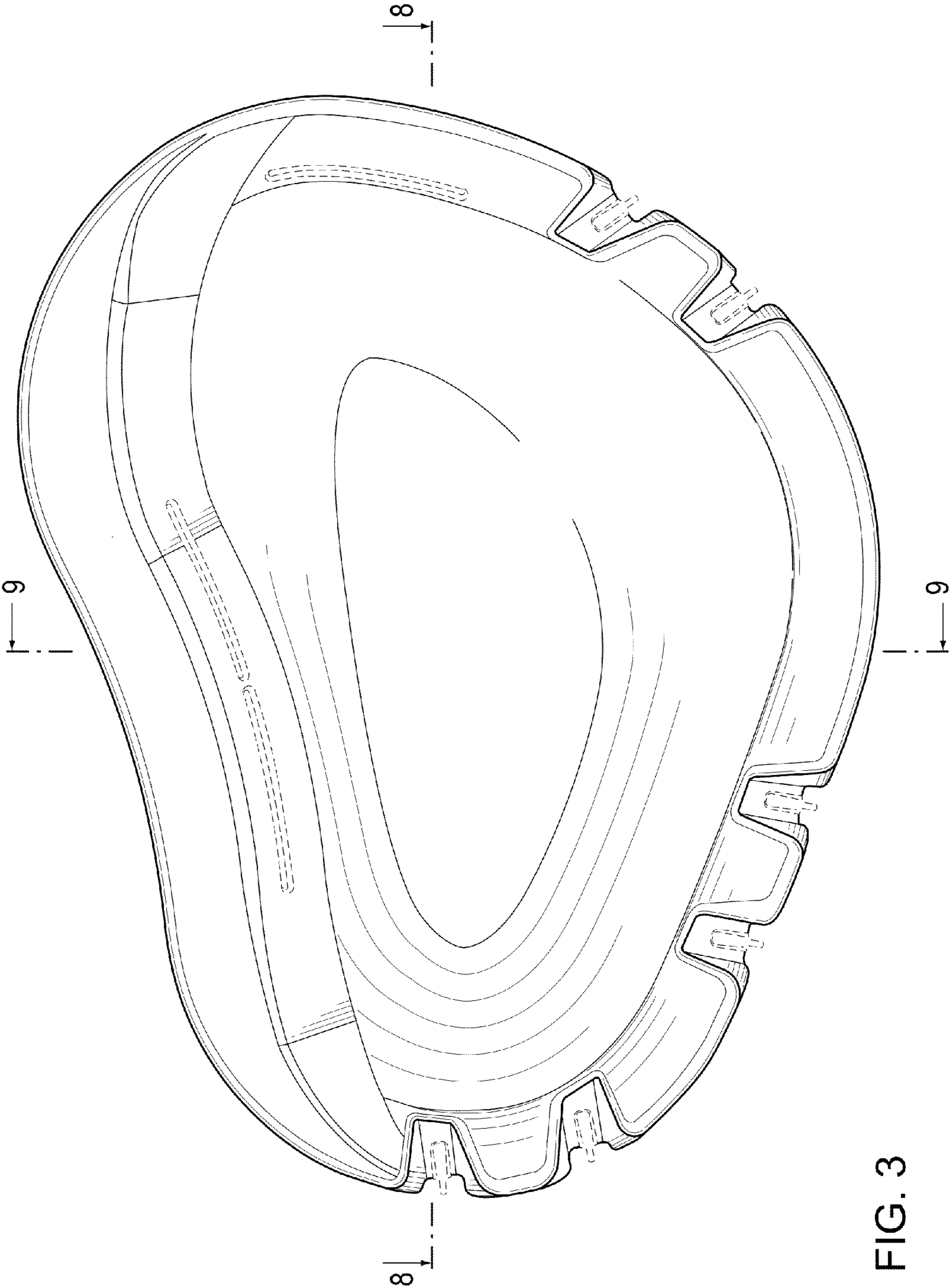


FIG. 3

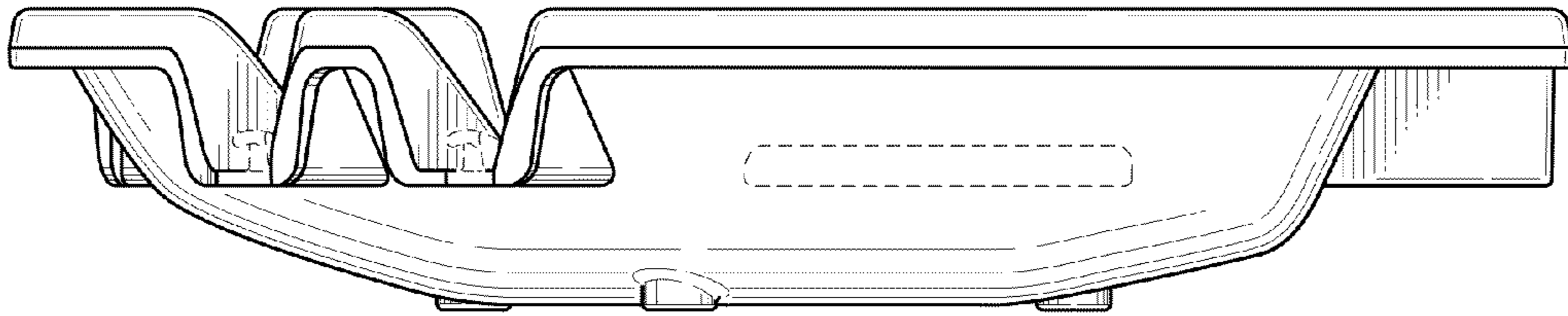


FIG. 4

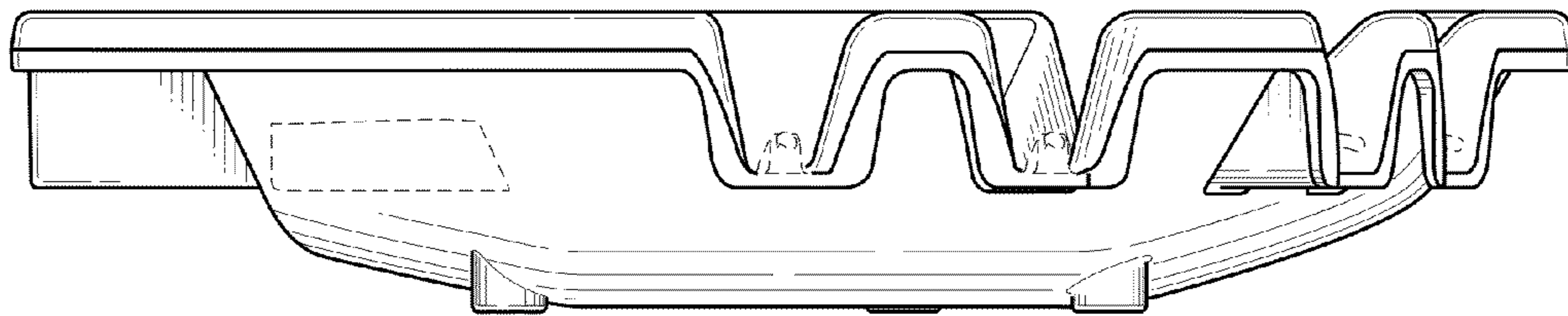


FIG. 5

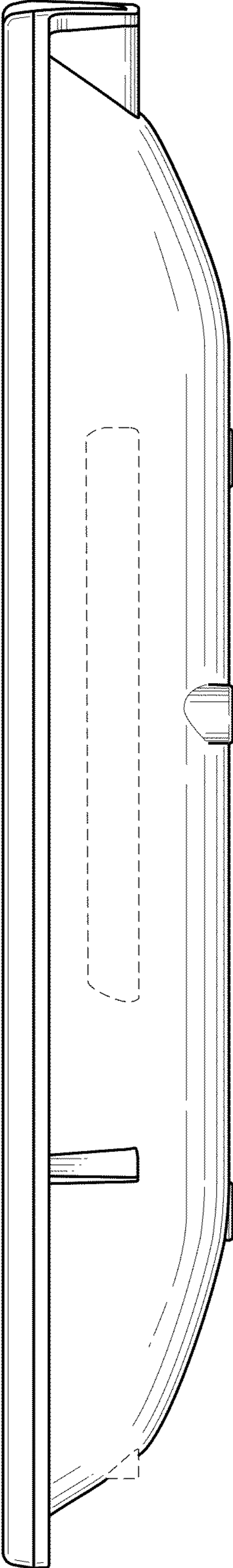


FIG. 6

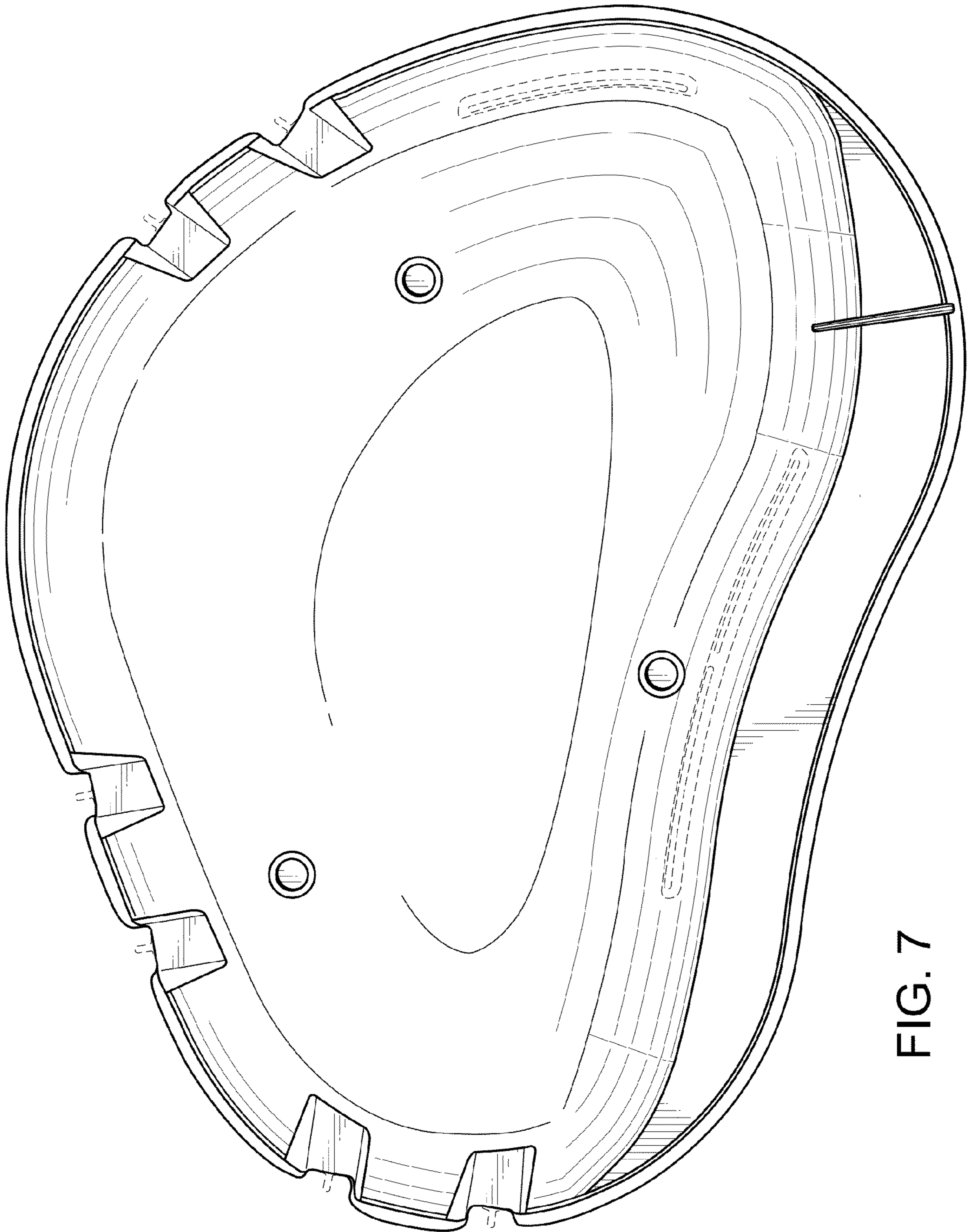


FIG. 7

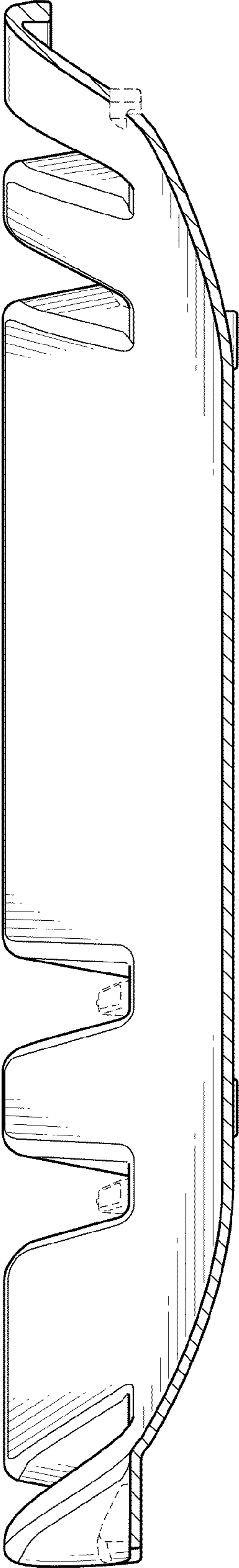


FIG. 8

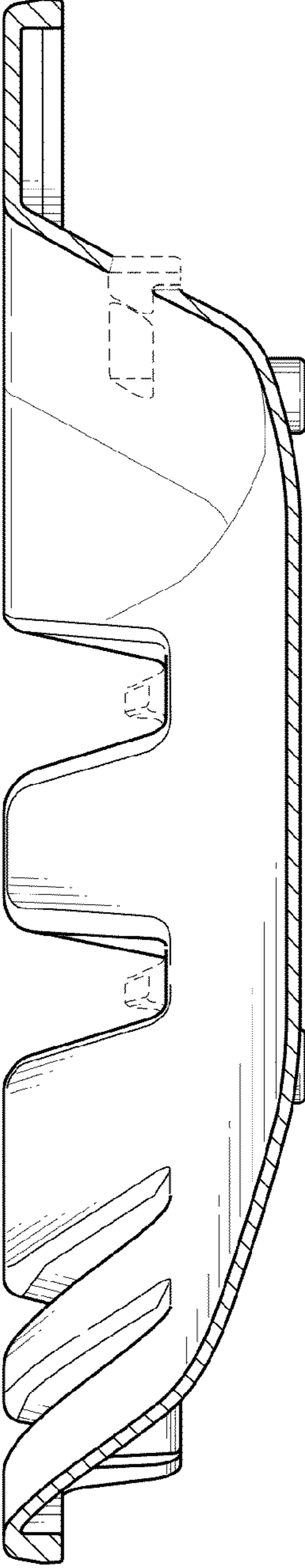


FIG. 9