



US00D692575S

(12) **United States Design Patent**
Steinman et al.

(10) **Patent No.:** **US D692,575 S**

(45) **Date of Patent:** **** Oct. 29, 2013**

(54) **LID FOR ORGAN OR TISSUE CONTAINER**

(75) Inventors: **Christopher P. Steinman**, Sandy, UT (US); **Rick W. Walker**, Stow, OH (US); **Kirk C. Palmerton**, Kent, OH (US); **Jeffrey S. Louis**, Akron, OH (US); **David Pettinato**, Schaumburg, IL (US)

(73) Assignee: **Lifescience Scientific, Inc.**, Itasca, IL (US)

(**) Term: **14 Years**

(21) Appl. No.: **29/426,735**

(22) Filed: **Jul. 10, 2012**

(51) **LOC (9) Cl.** **24-01**

(52) **U.S. Cl.**
USPC **D24/216**

(58) **Field of Classification Search**
USPC D24/107, 123, 216, 224, 227, 229, D24/230-232; D10/81; 62/78, 457.1, 457.2, 62/457.9; 435/1.1, 1.2, 1.3, 284.1, 307.1; D6/435, 436, 445, 456; 422/500, 547
See application file for complete search history.

(56) **References Cited**

U.S. PATENT DOCUMENTS

D352,116 S * 11/1994 Kienholz D24/227

D360,336 S * 7/1995 Bitel, Jr. D9/435
D468,436 S * 1/2003 Brassil et al. D24/216
D470,594 S * 2/2003 Brassil et al. D24/216
D523,746 S * 6/2006 Snedden et al. D9/435
D618,821 S * 6/2010 Larsen D24/227
D639,656 S * 6/2011 Shapiro et al. D9/435

* cited by examiner

Primary Examiner — Anhdao Doan

(74) *Attorney, Agent, or Firm* — Oliff & Berridge, PLC

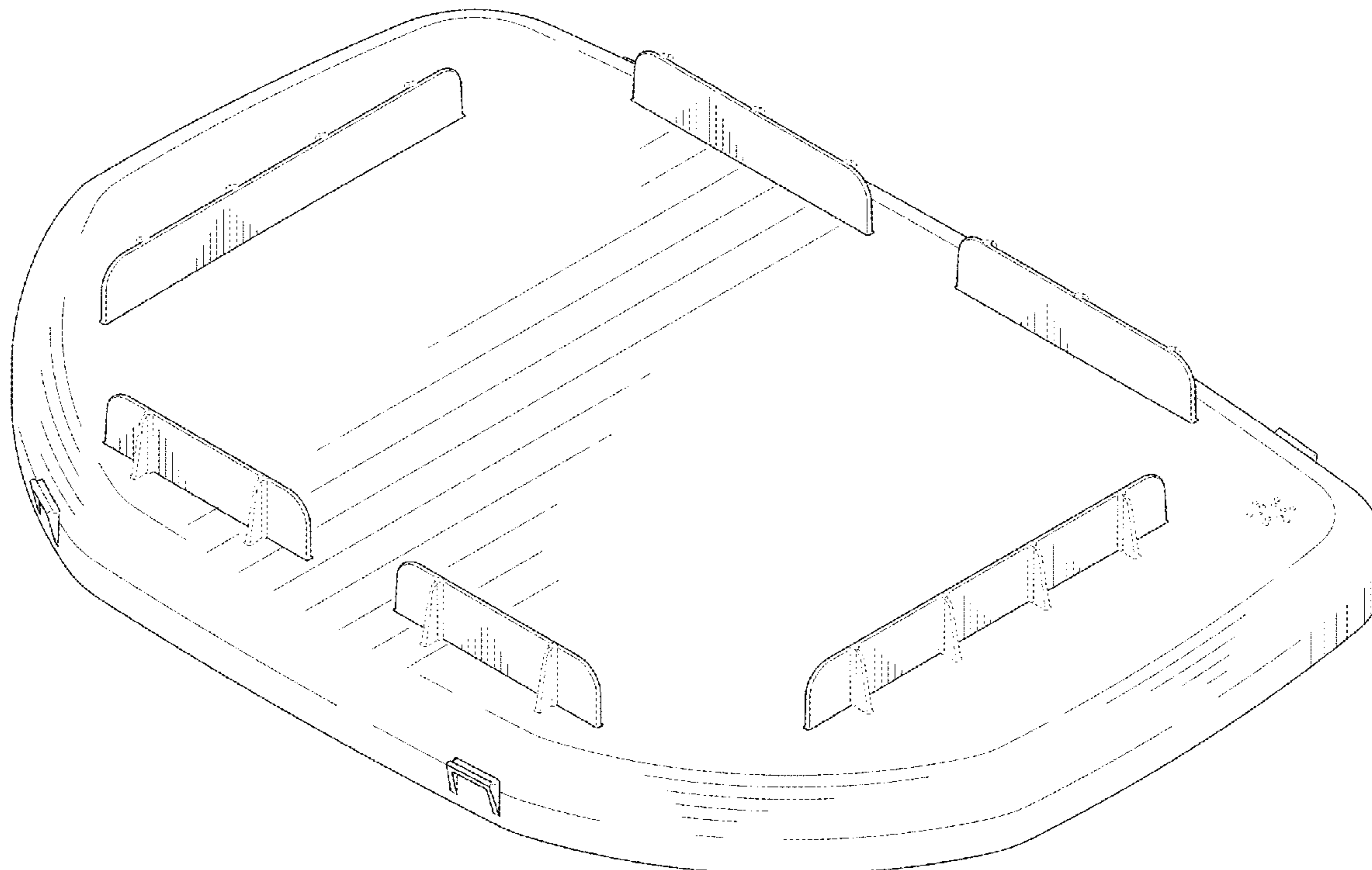
(57) **CLAIM**

The ornamental design for a lid for organ or tissue container, as shown and described.

DESCRIPTION

FIG. 1 is a perspective view of a lid for organ or tissue container;
FIG. 2 is a front view thereof;
FIG. 3 is a top view thereof;
FIG. 4 is a right-side view thereof;
FIG. 5 is a left-side view thereof;
FIG. 6 is a rear view thereof; and,
FIG. 7 is a bottom view thereof.
The broken lines depict unclaimed portions only and form no part of the claimed design.

1 Claim, 6 Drawing Sheets



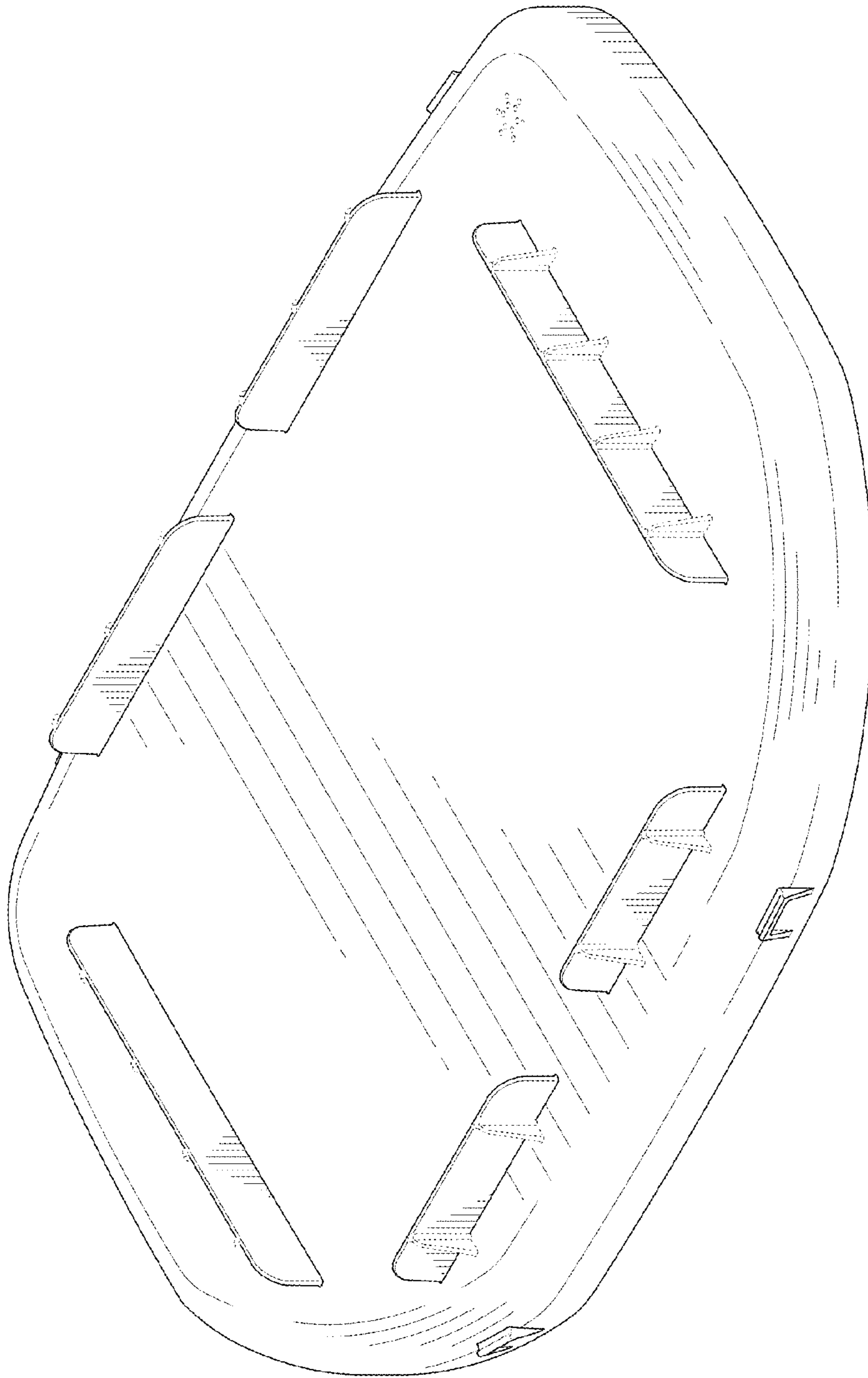


FIG. 1

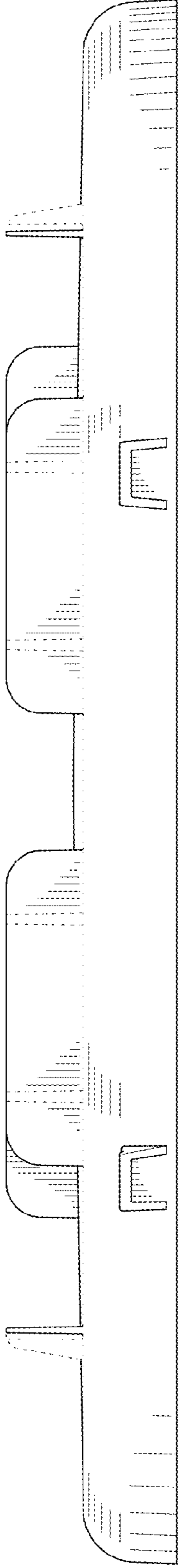


FIG. 2

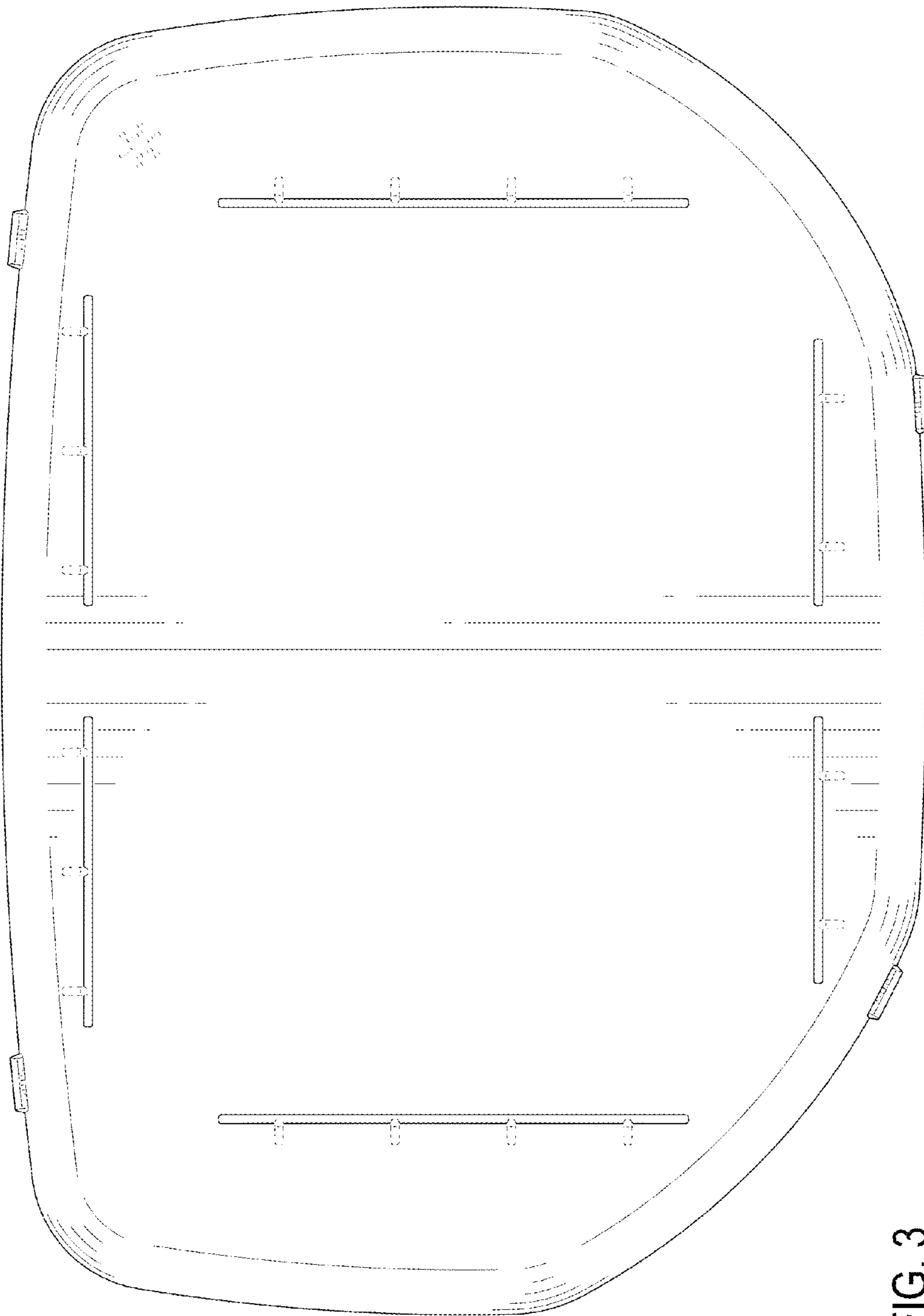


FIG. 3

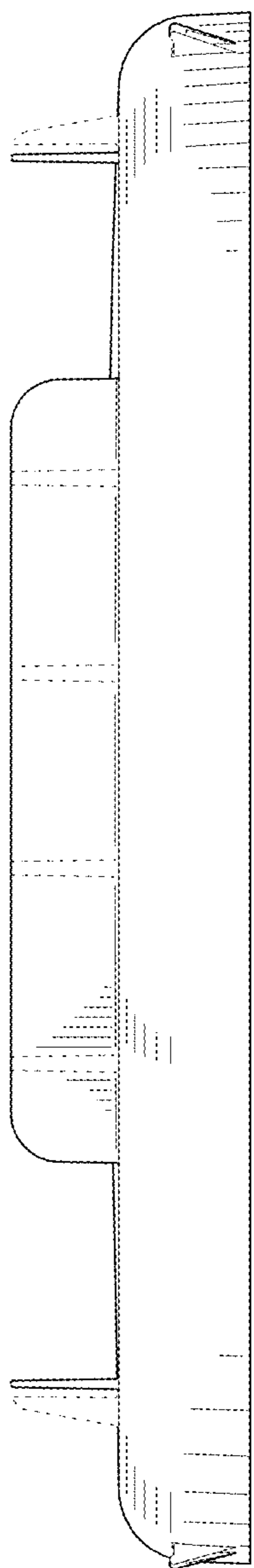


FIG. 4

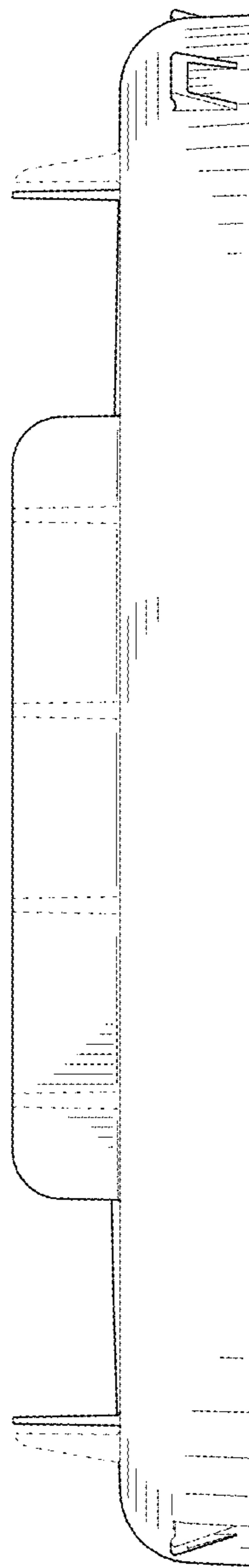


FIG. 5

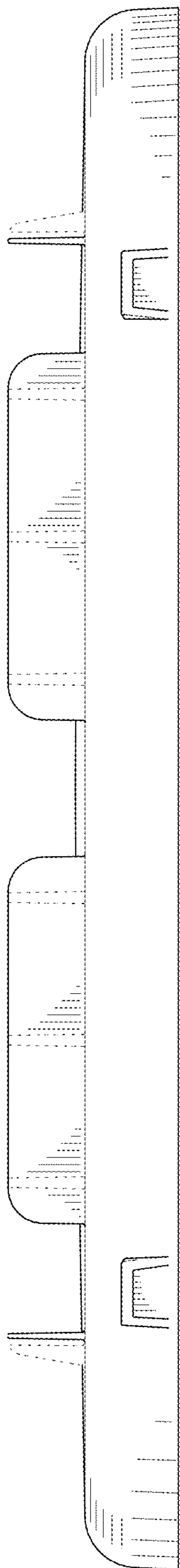


FIG. 6

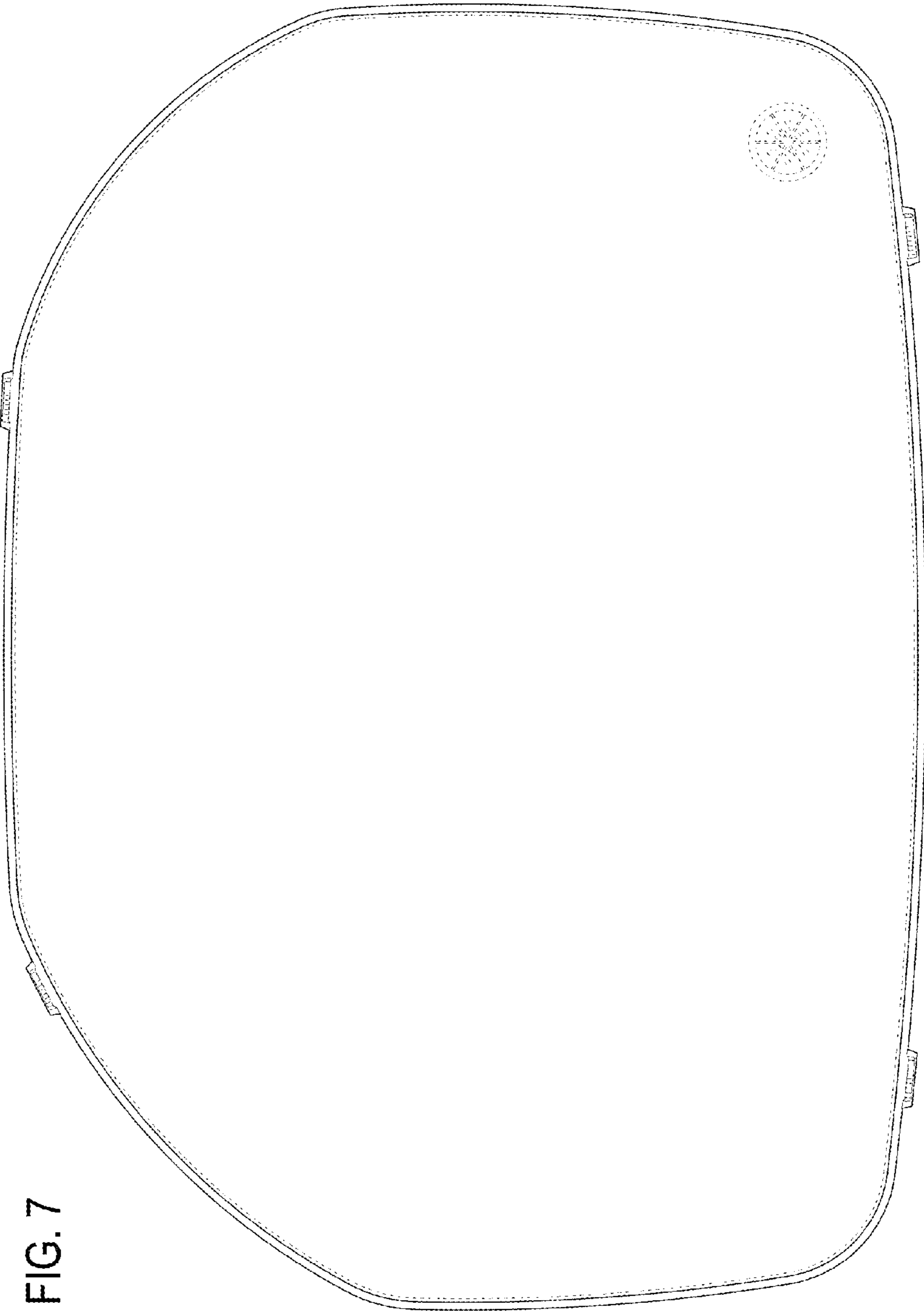


FIG. 7