



US00D692574S

(12) **United States Design Patent**  
**Steinman et al.**

(10) **Patent No.:** **US D692,574 S**

(45) **Date of Patent:** **\*\* Oct. 29, 2013**

(54) **BASIN**

(75) Inventors: **Christopher P. Steinman**, Sandy, UT (US); **David Pettinato**, Schaumburg, IL (US); **Jeffrey S. Louis**, Akron, OH (US); **Kirk C. Palmerton**, Kent, OH (US); **Rick W. Walker**, Stow, OH (US)

(73) Assignee: **Lifeline Scientific, Inc.**, Itasca, IL (US)

(\*\*) Term: **14 Years**

(21) Appl. No.: **29/426,729**

(22) Filed: **Jul. 10, 2012**

(51) **LOC (9) Cl.** ..... **24-01**

(52) **U.S. Cl.**  
USPC ..... **D24/216**

(58) **Field of Classification Search**  
USPC ..... D24/107, 123, 216, 224, 227, 229,  
D24/230-232; D10/81; 62/78, 457.1, 457.2,  
62/457.9; 435/1.1, 1.2, 1.3, 284.1, 307.1;  
D6/456; 422/500, 547  
See application file for complete search history.

(56) **References Cited**

**U.S. PATENT DOCUMENTS**

D333,869 S \* 3/1993 Wachman ..... D24/117  
D468,436 S \* 1/2003 Brassil et al. .... D24/216  
D470,594 S \* 2/2003 Brassil et al. .... D24/216

D517,366 S \* 3/2006 Oztiryaki ..... D7/354  
D531,320 S \* 10/2006 Garland et al. .... D24/216  
D587,110 S \* 2/2009 Kronshage et al. .... D9/759  
D608,633 S \* 1/2010 Elmerhaus ..... D24/123  
8,128,740 B2 \* 3/2012 Wright et al. .... 435/284.1  
D672,466 S \* 12/2012 Kravitz et al. .... D24/216  
D674,482 S \* 1/2013 Wurapa ..... D24/121  
2008/0254504 A1 \* 10/2008 Vom et al. .... 435/307.1  
2011/0033916 A1 \* 2/2011 Hutzenlaub et al. .... 435/284.1  
2011/0201106 A1 \* 8/2011 Sohn et al. .... 435/325

\* cited by examiner

*Primary Examiner* — Anhdao Doan

(74) *Attorney, Agent, or Firm* — Oliff & Berridge, PLC

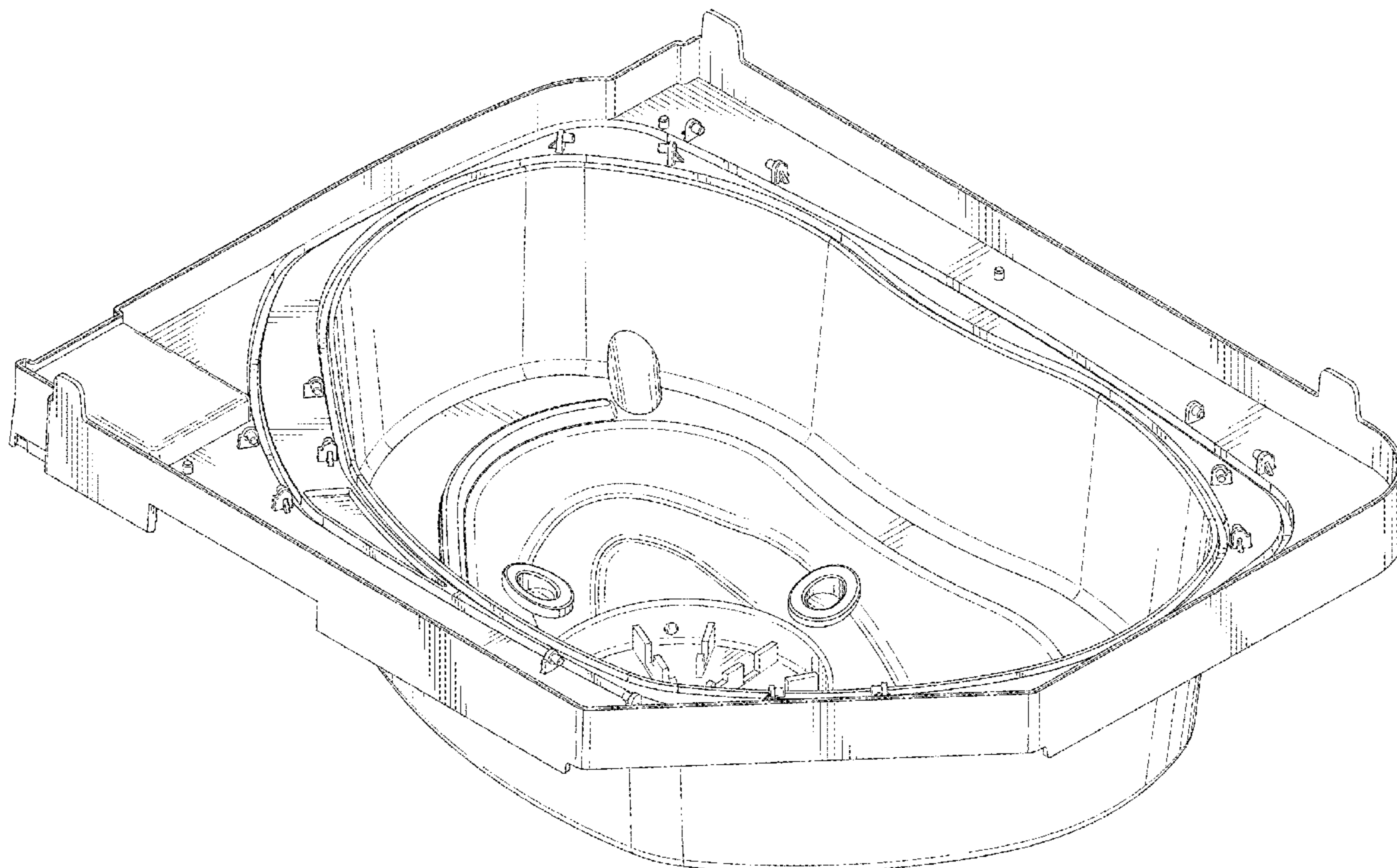
(57) **CLAIM**

The ornamental design for a basin, as shown and described.

**DESCRIPTION**

FIG. 1 is a perspective view of a basin;  
FIG. 2 is a front view thereof;  
FIG. 3 is a top view thereof;  
FIG. 4 is a right-side view thereof;  
FIG. 5 is a left-side view thereof;  
FIG. 6 is a rear view thereof;  
FIG. 7 is a bottom view thereof;  
FIG. 8 is a cross sectional view thereof taken along lines 8-8 in FIG. 3; and,  
FIG. 9 is a cross sectional view thereof taken along lines 9-9 in FIG. 3.

**1 Claim, 8 Drawing Sheets**



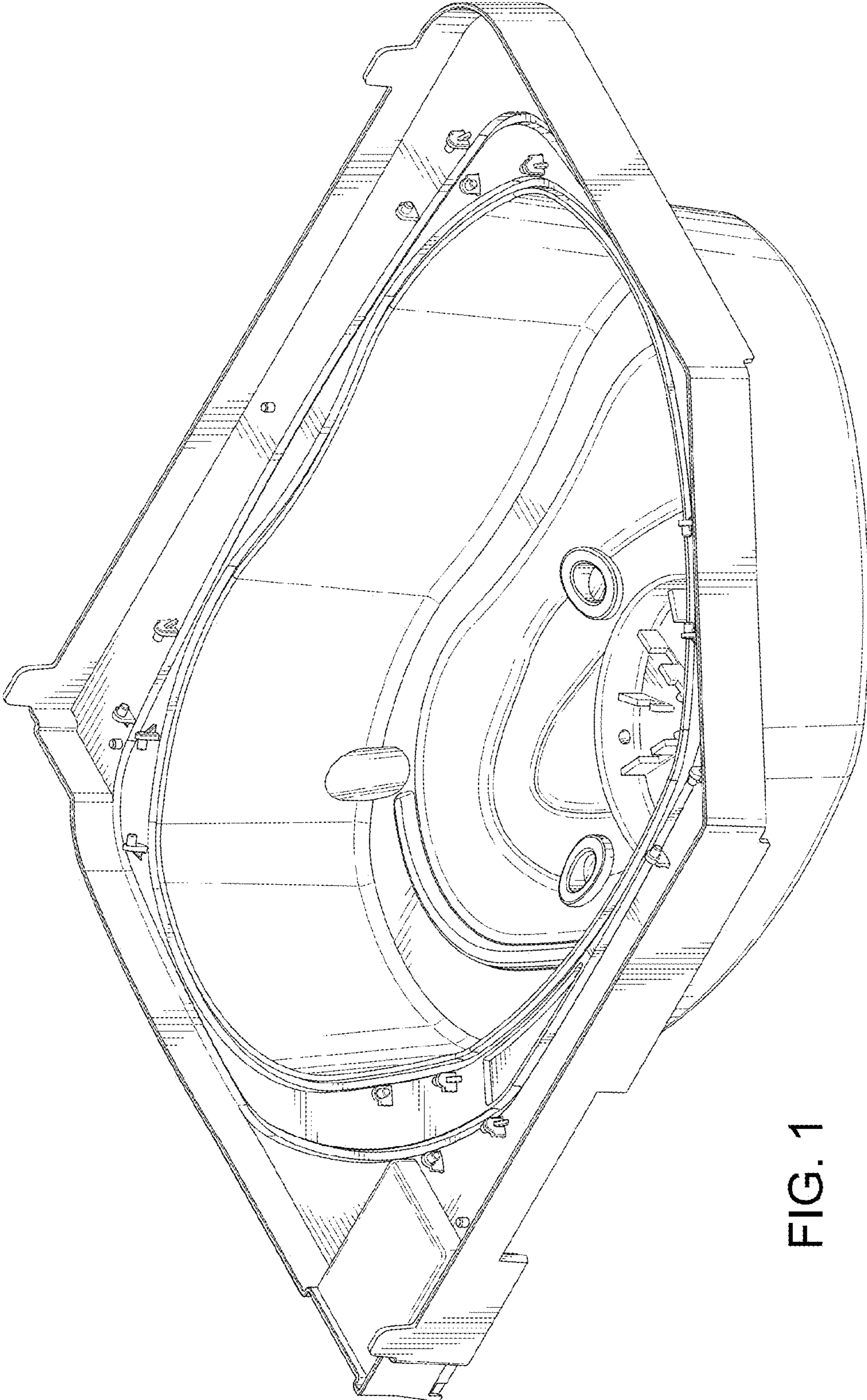


FIG. 1

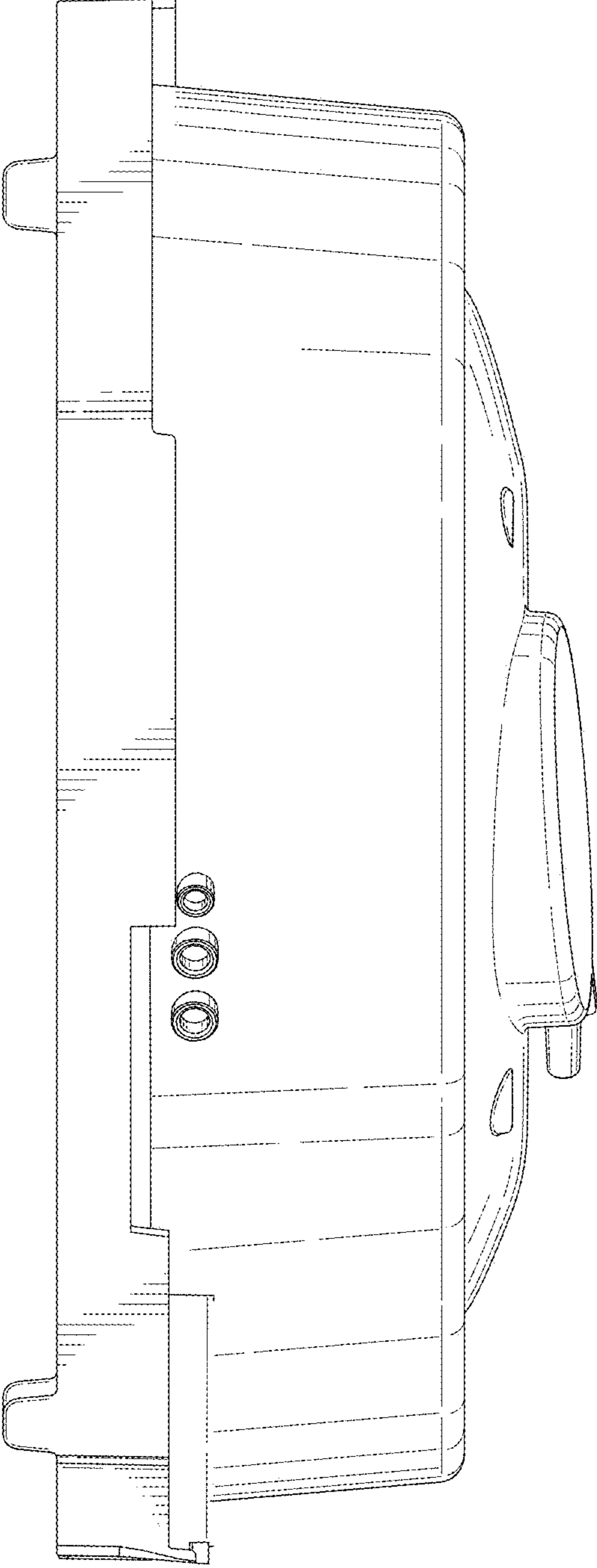


FIG. 2



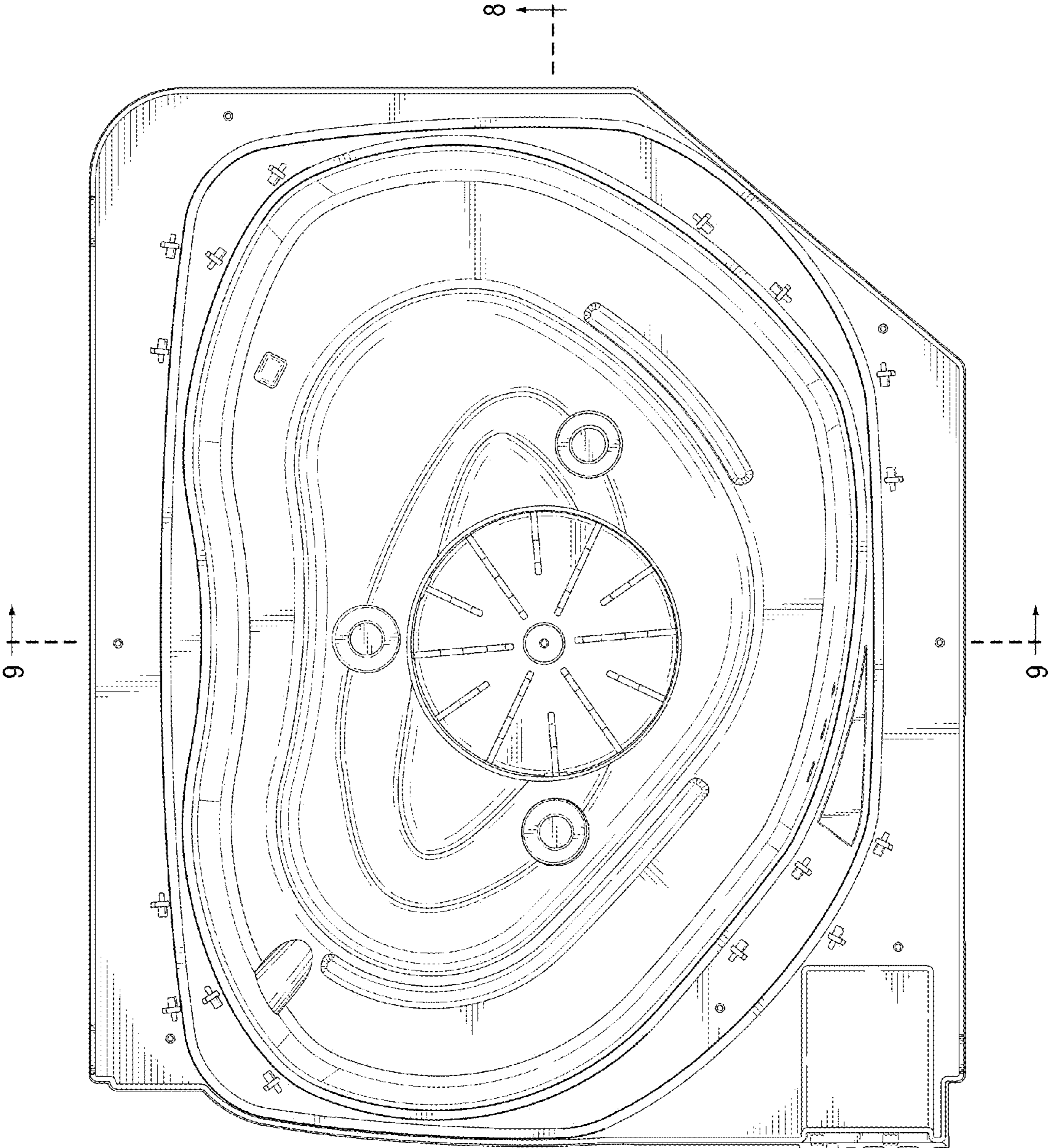


FIG. 3

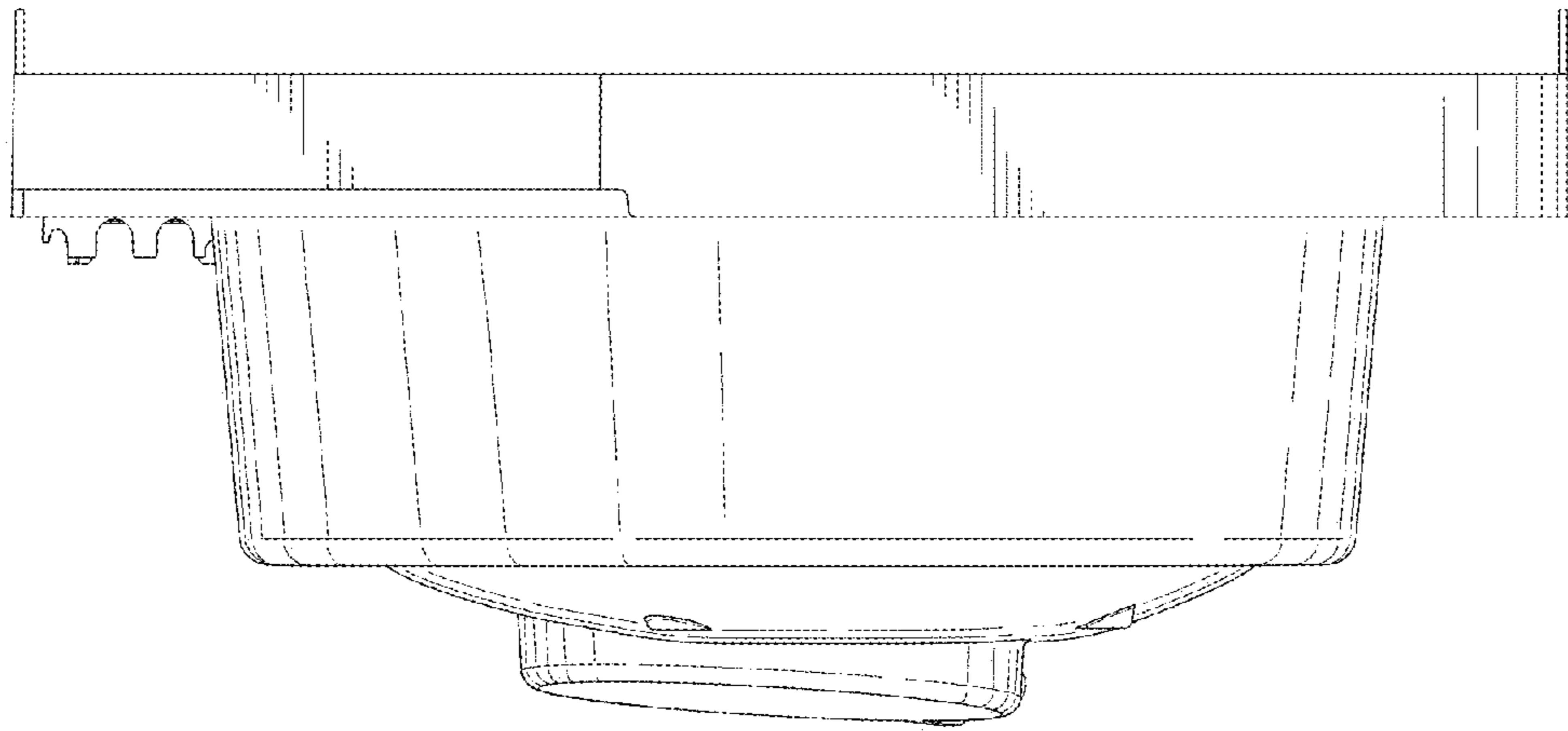


FIG. 4

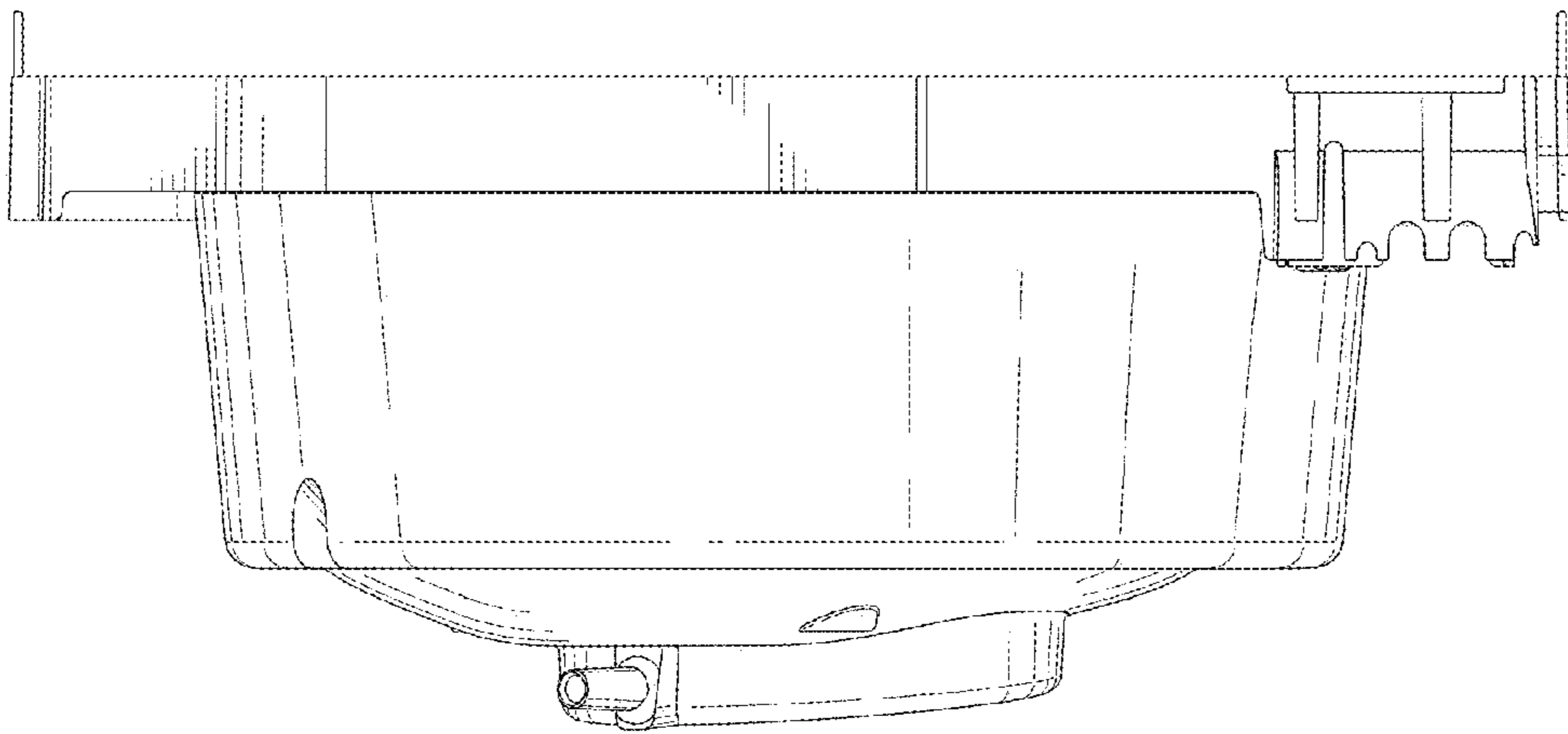


FIG. 5

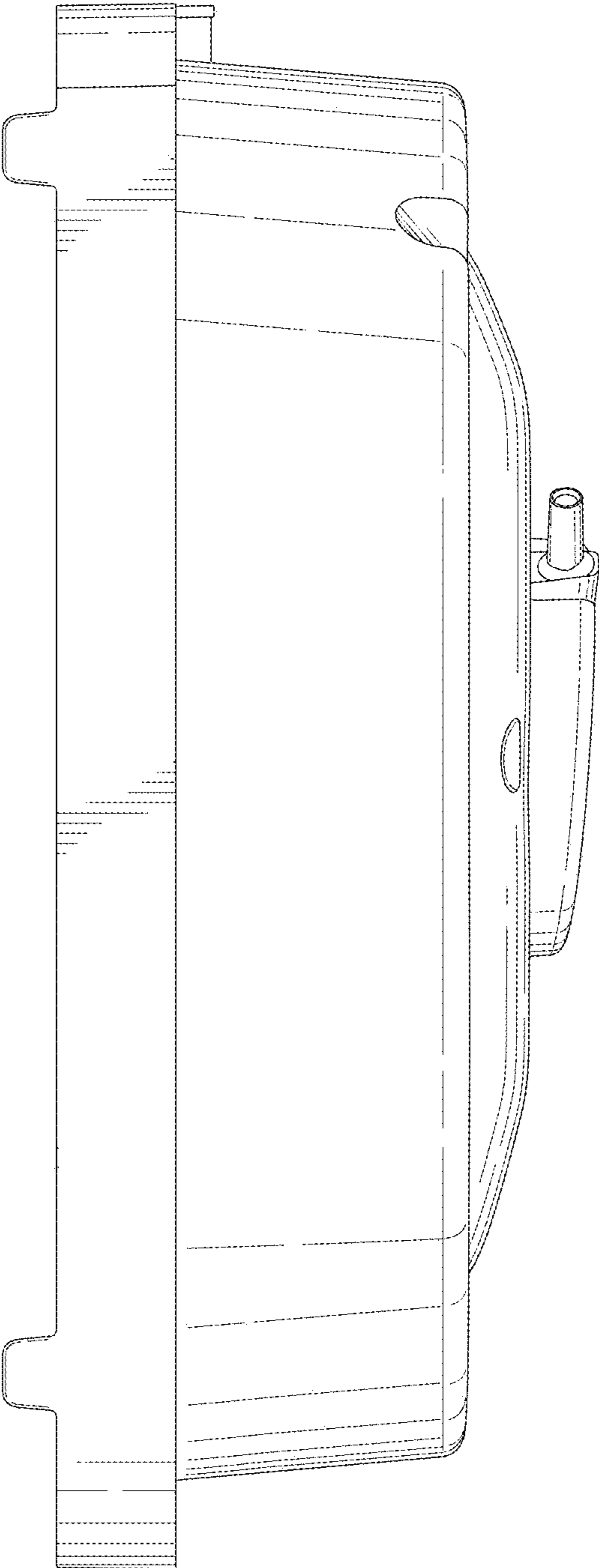


FIG. 6

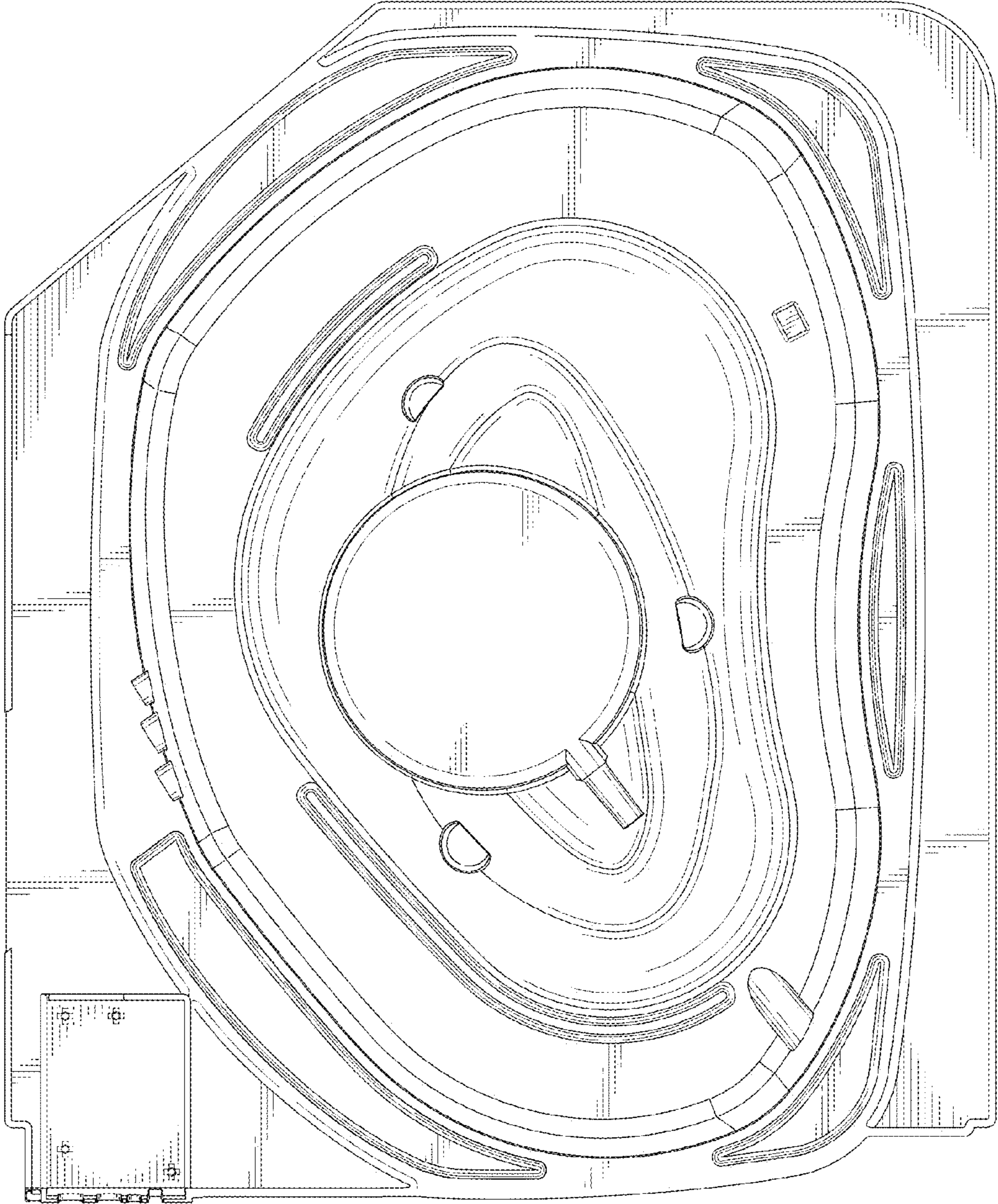


FIG. 7



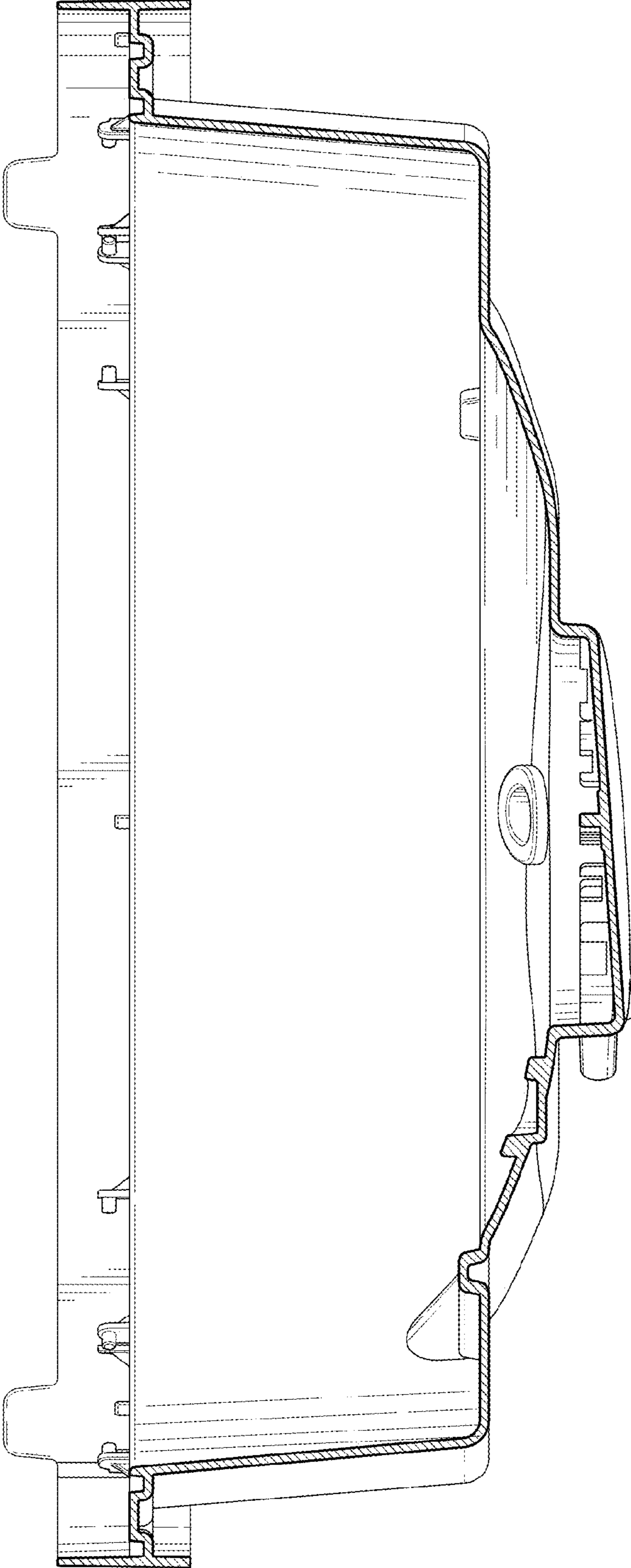


FIG. 8



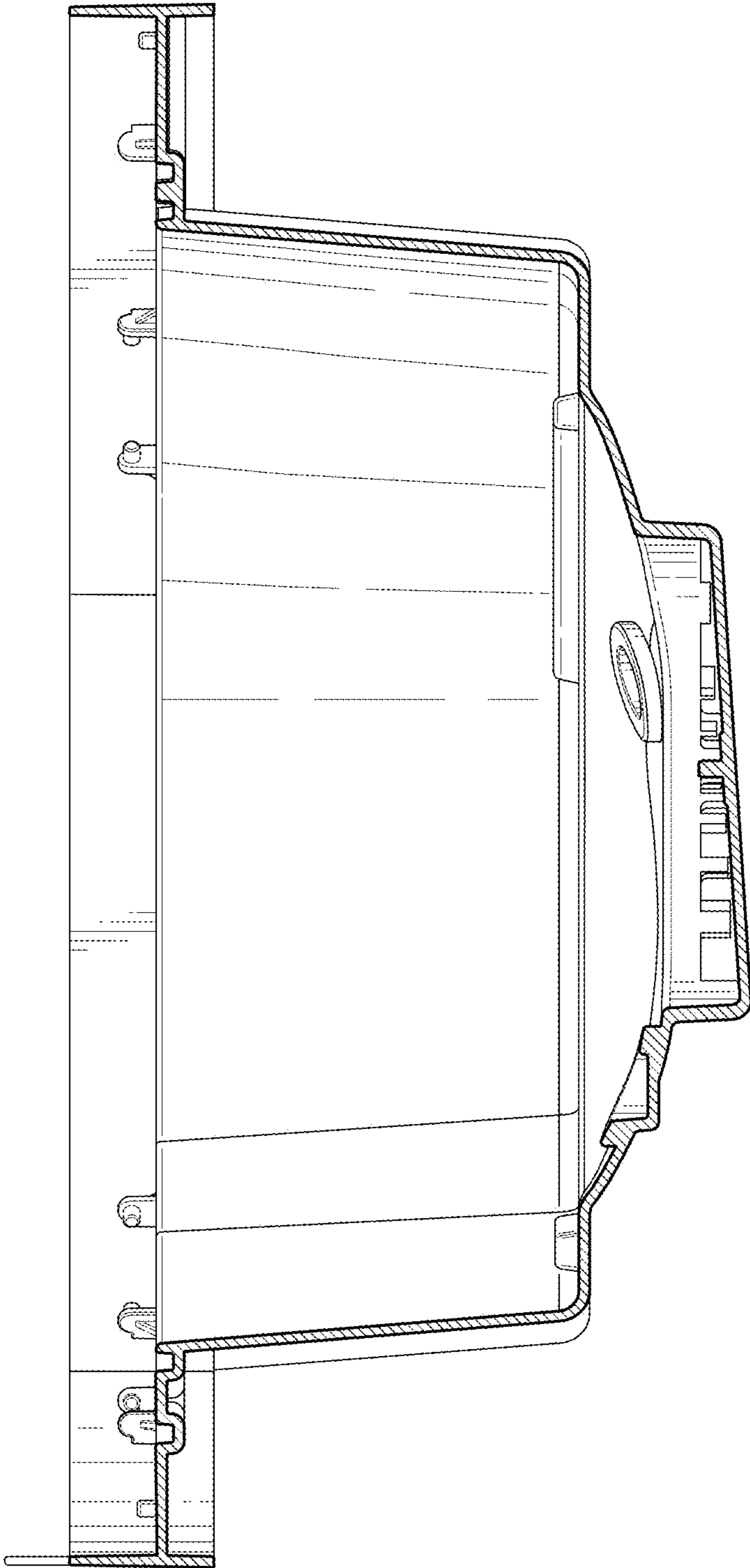


FIG. 9