



US00D692572S

(12) **United States Design Patent**
Steinman et al.

(10) **Patent No.:** **US D692,572 S**
(45) **Date of Patent:** **** Oct. 29, 2013**

(54) **COOLANT CONTAINER**

(75) Inventors: **Christopher P. Steinman**, Sandy, UT (US); **David Pettinato**, Schaumburg, IL (US); **Robert J. Allen**, Crystal Lake, IL (US); **Frank P. Nanna**, Algonquin, IL (US); **Matthew Copithorne**, Framingham, MA (US); **Brian L. Otts**, Warrior, AL (US); **Peter Demuylder**, Ebbing (BE); **Aaron Randall Ferber**, Chicago, IL (US); **Ross Lockwood**, Chicago, IL (US); **Rodney Hal Monson**, Waukegan, IL (US); **Evan David Shapiro**, Chicago, IL (US)

(73) Assignee: **Lifeline Scientific, Inc.**, Itasca, IL (US)

(**) Term: **14 Years**

(21) Appl. No.: **29/426,700**

(22) Filed: **Jul. 10, 2012**

(51) **LOC (9) Cl.** **24-01**

(52) **U.S. Cl.**
USPC **D24/216**

(58) **Field of Classification Search**
USPC D24/107, 123, 216, 224, 227, 229,
D24/230-232; D10/81; 62/78, 457.1, 457.2,
62/457.9; 435/1.1, 1.2, 1.3, 284.1, 307.1;
D6/456; 422/500, 547

See application file for complete search history.

(56) **References Cited**

U.S. PATENT DOCUMENTS

3,249,950 A * 5/1966 Wilson D24/123
D342,784 S * 12/1993 Passiak et al. D24/123
5,697,921 A * 12/1997 Blair 604/317
D468,436 S * 1/2003 Brassil et al. D24/216

D470,594 S * 2/2003 Brassil et al. D24/216
D531,320 S * 10/2006 Garland et al. D24/216
D584,387 S * 1/2009 Lee et al. D23/285
D608,633 S * 1/2010 Elmerhaus D24/205
D627,062 S * 11/2010 Tanguay D24/123
D638,137 S * 5/2011 Gross et al. D24/227
D669,979 S * 10/2012 Adams D24/123
D671,228 S * 11/2012 Perrin et al. D24/232
D674,482 S * 1/2013 Wurapa D24/121

* cited by examiner

Primary Examiner — Anhdao Doan

(74) *Attorney, Agent, or Firm* — Oliff & Berridge, PLC

(57) **CLAIM**

The ornamental design for a coolant container, as shown and described.

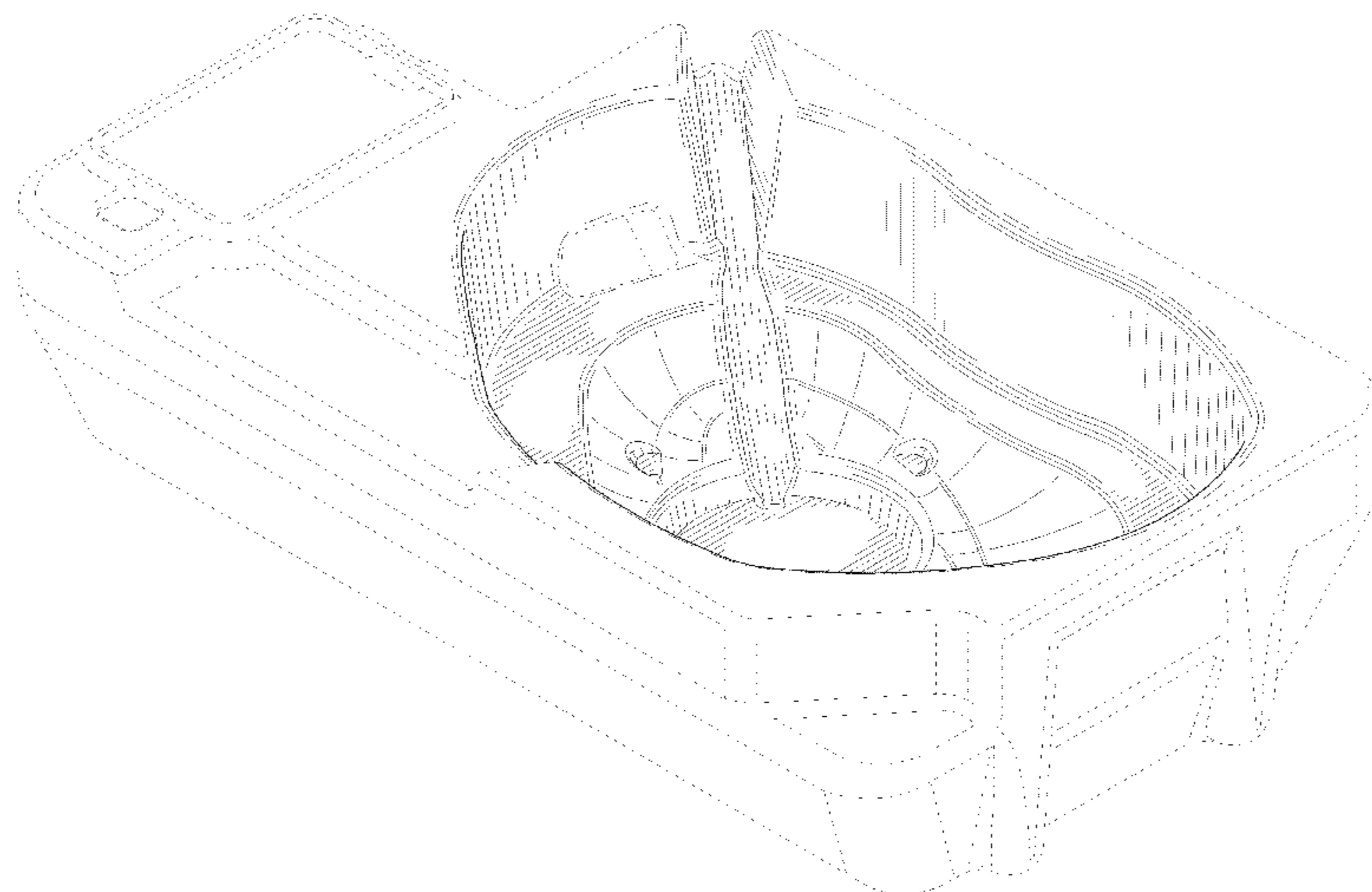
DESCRIPTION

FIG. 1 is a perspective view of a coolant container;
FIG. 2 is a front view thereof;
FIG. 3 is a top view thereof;
FIG. 4 is a left-side view thereof;
FIG. 5 is a right-side view thereof;
FIG. 6 is a rear view thereof;
FIG. 7 is a bottom view thereof;
FIG. 8 is a cross sectional view thereof taken along lines 8-8 in FIG. 3;
FIG. 9 is a cross sectional view thereof taken along lines 9-9 in FIG. 3; and,
FIG. 10 is a cross sectional view thereof taken along lines 10-10 in FIG. 3.

The broken lines depict environmental subject matter only and form no part of the claimed design.

The dot-chain lines illustrate a boundary between claimed and unclaimed surfaces and form no part of the claimed design.

1 Claim, 8 Drawing Sheets



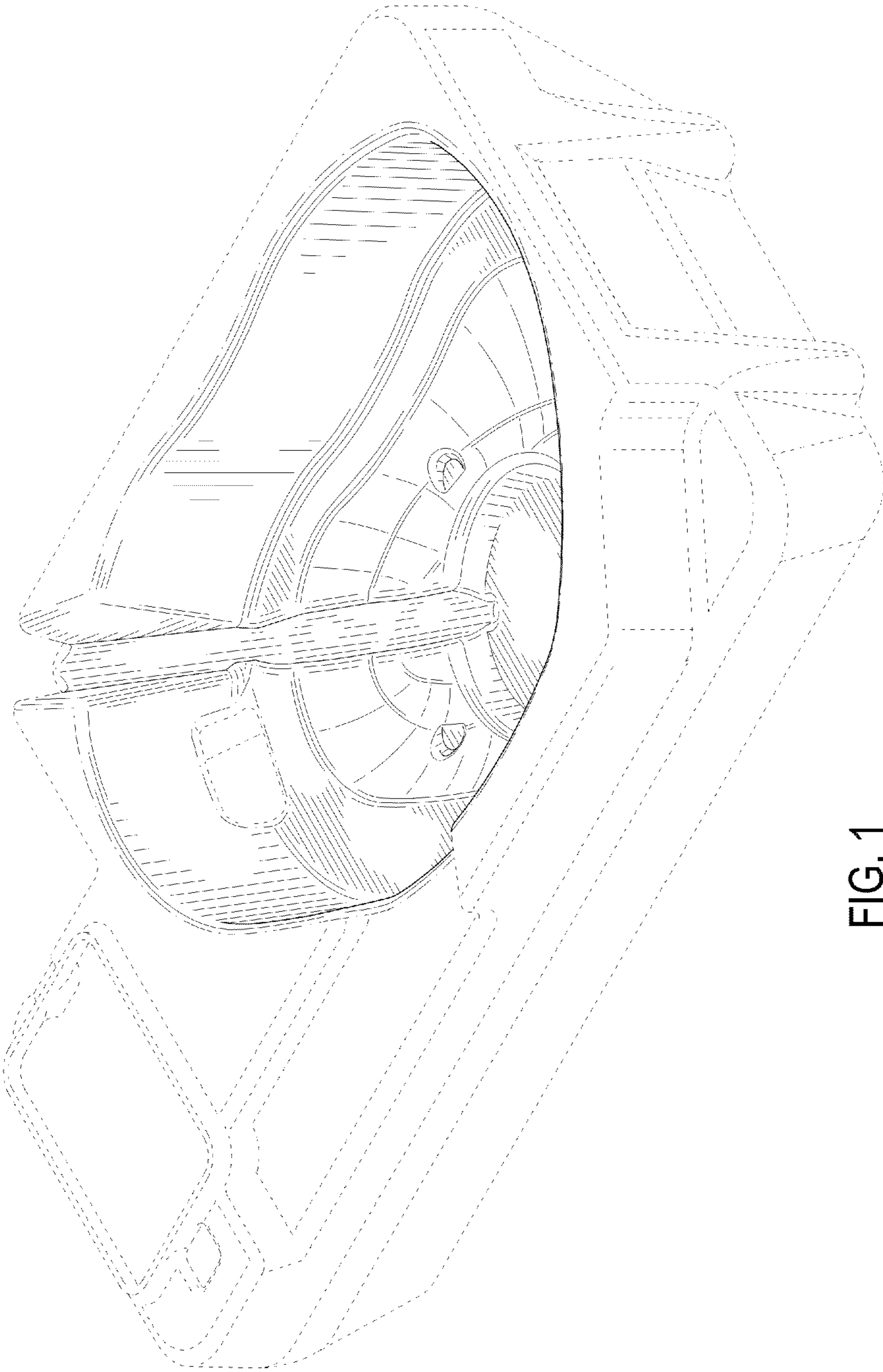


FIG. 1

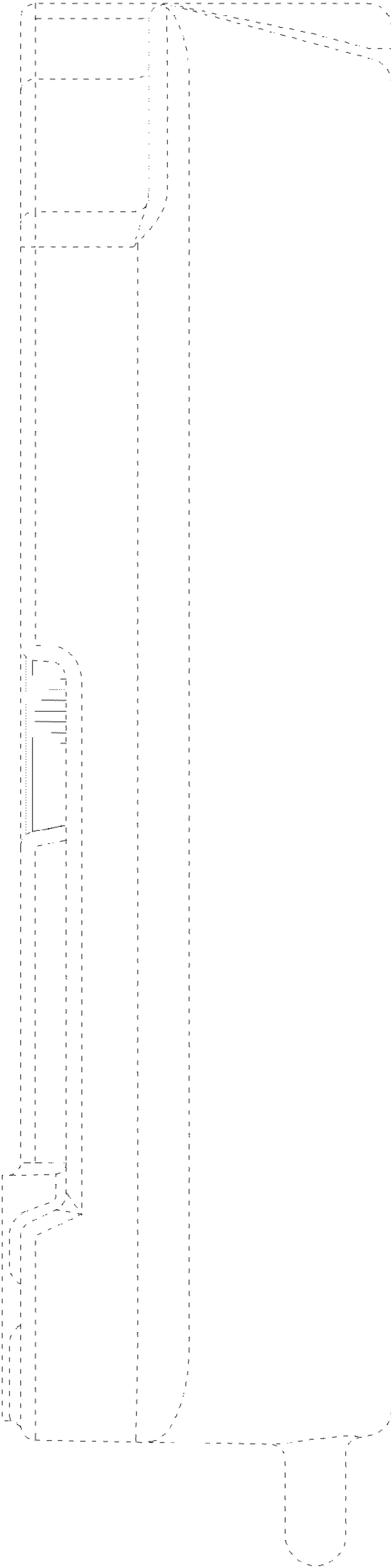


FIG. 2

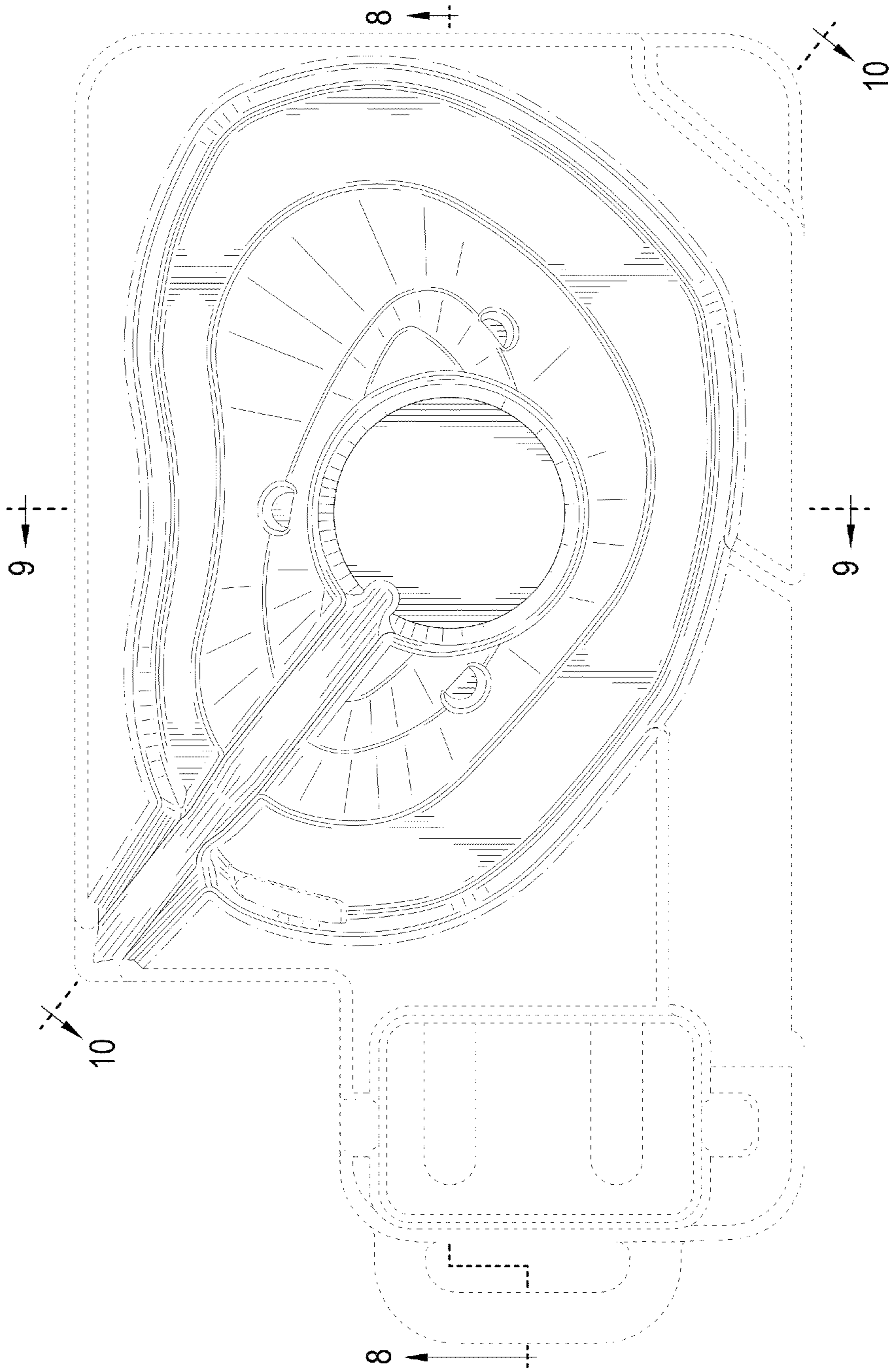


FIG. 3

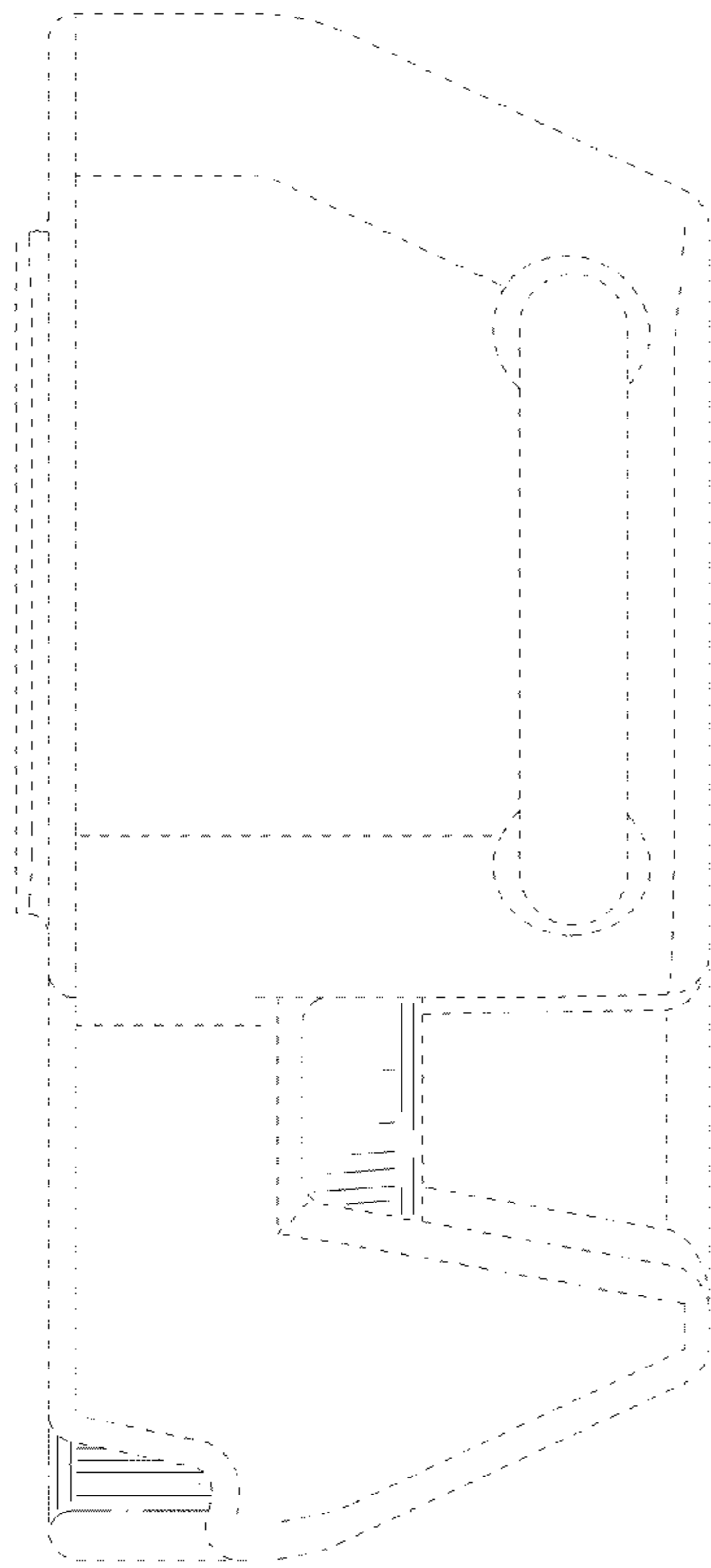


FIG. 4

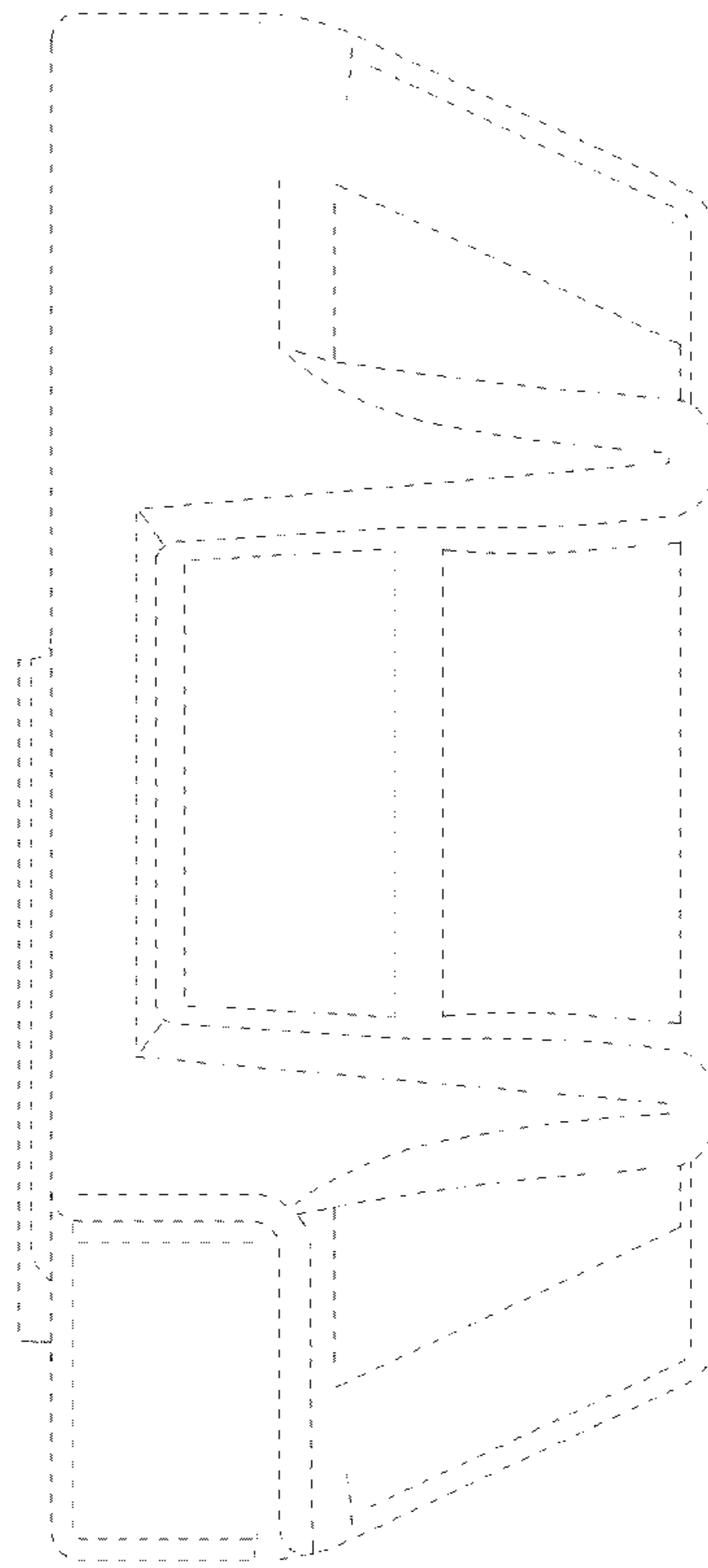


FIG. 5

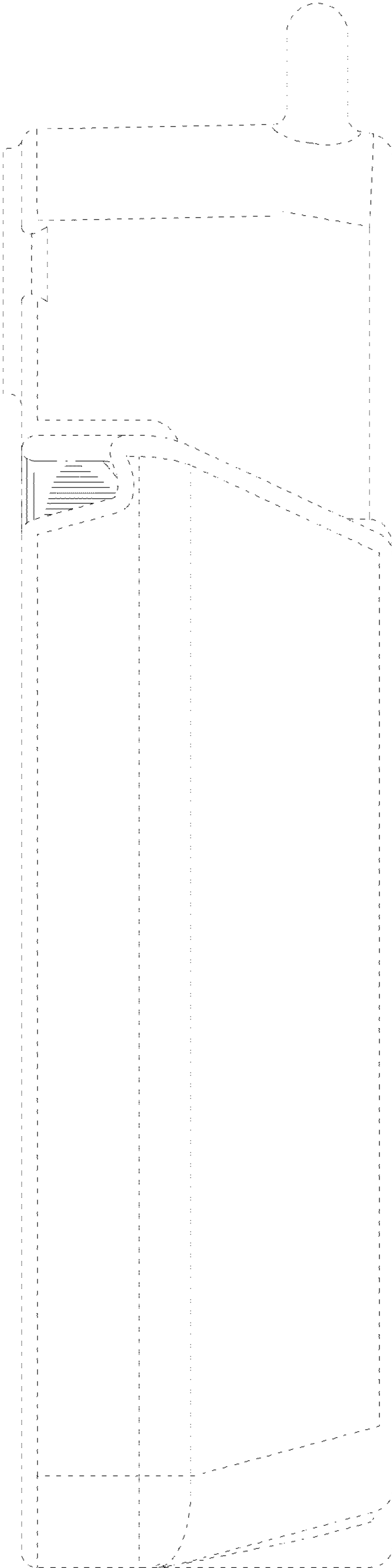


FIG. 6

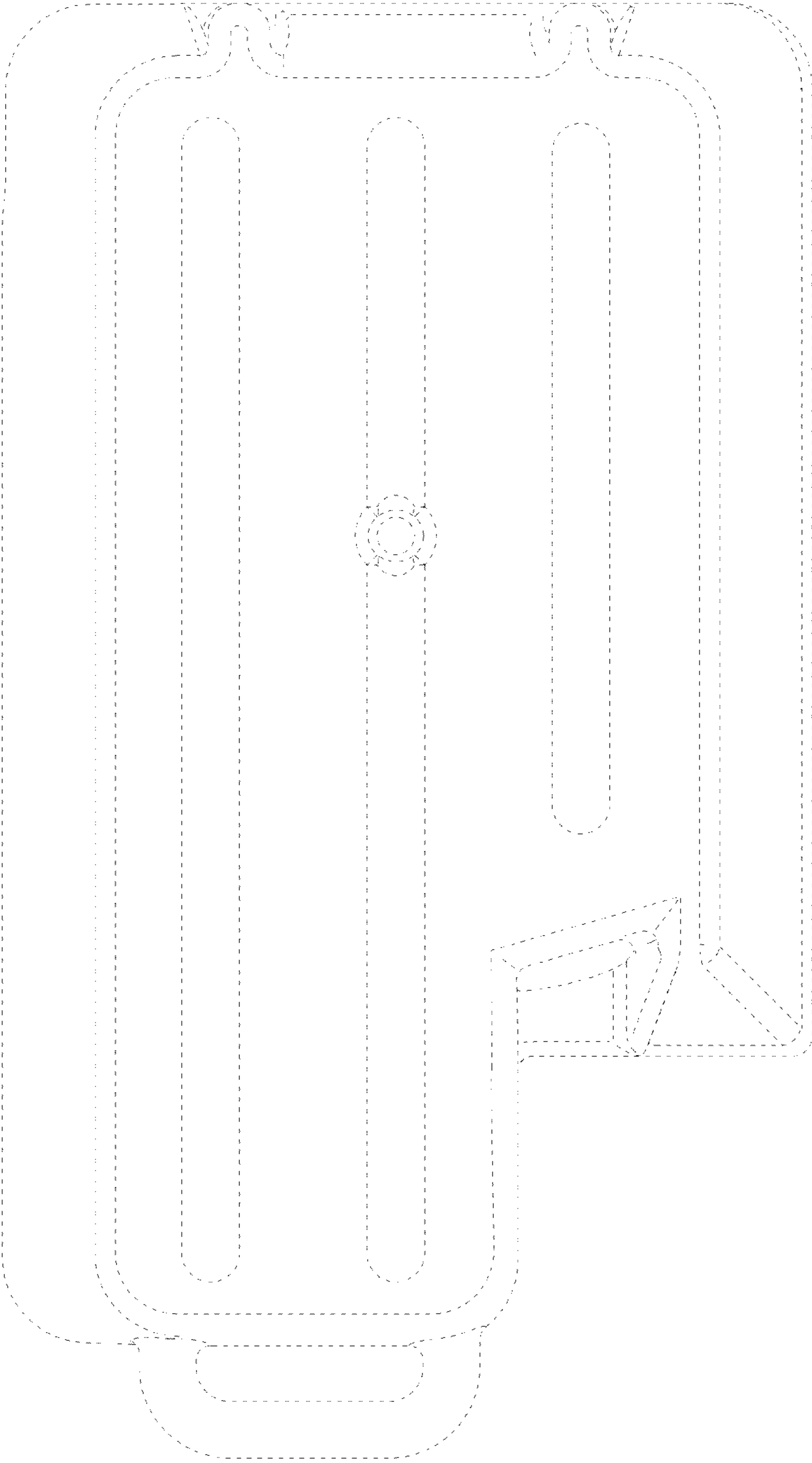


FIG. 7

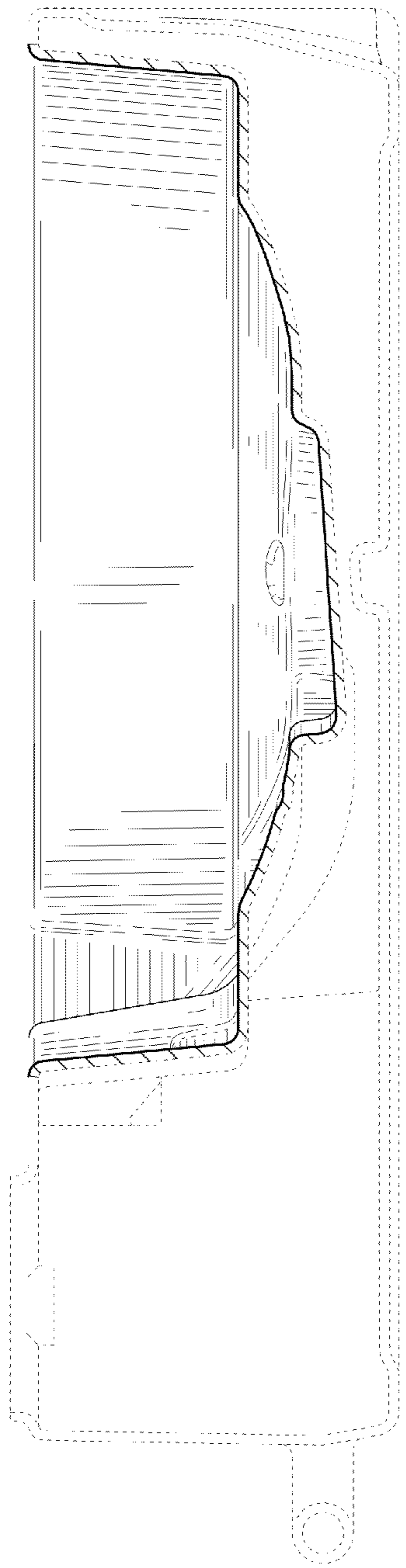


FIG. 8

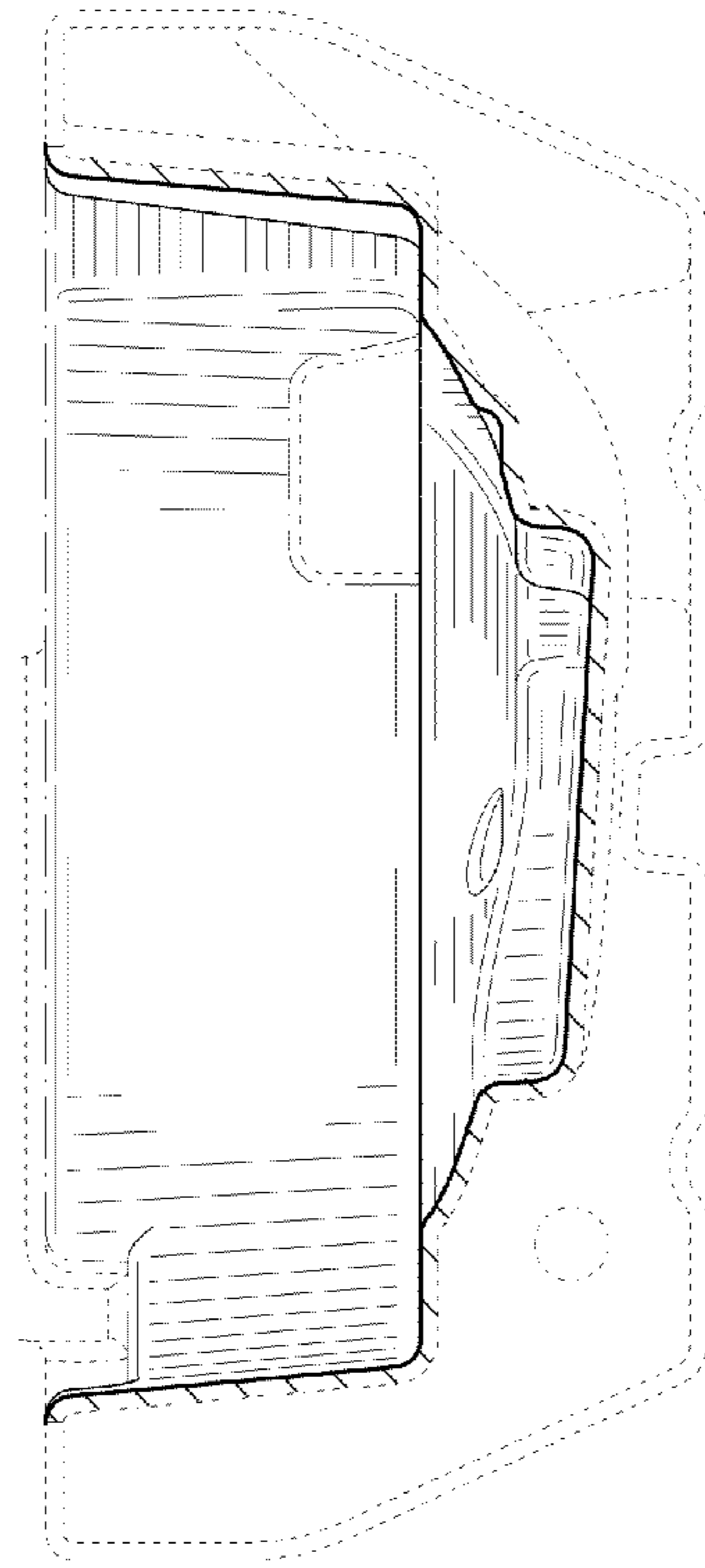


FIG. 9

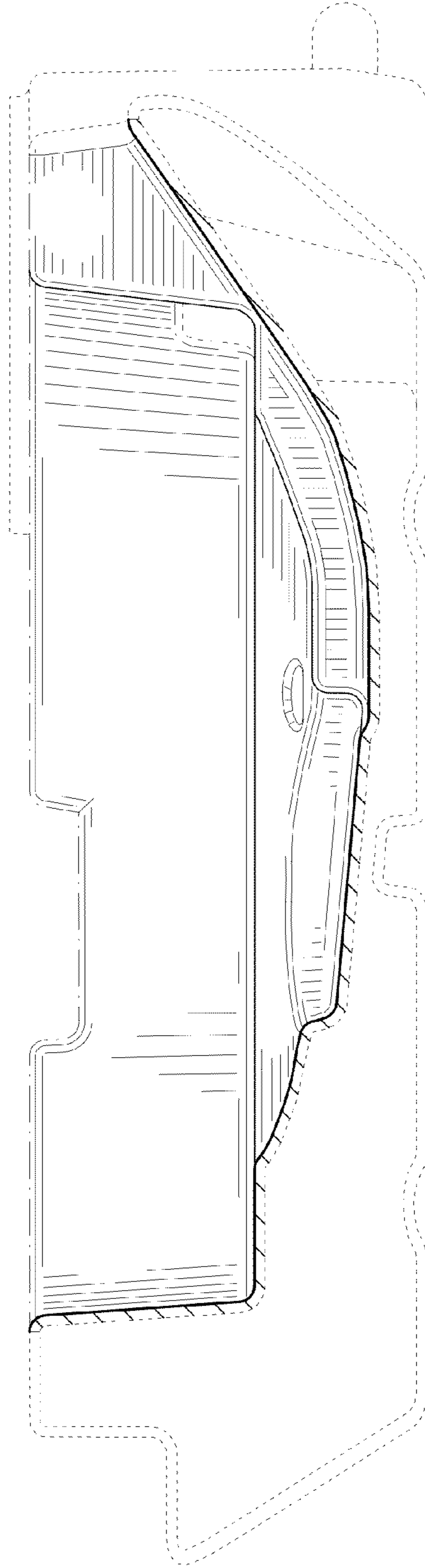


FIG. 10