



US00D692563S

(12) **United States Design Patent**  
**Naef et al.**

(10) **Patent No.:** **US D692,563 S**  
(45) **Date of Patent:** **\*\* Oct. 29, 2013**

(54) **OPHTHALMOLOGIC CONSOLE**  
(75) Inventors: **Therese Naef**, Wettingen (CH); **Britta Pukall**, Wädenswil (CH)  
(73) Assignee: **Carl Zeiss Meditec AG**, Jena (DE)  
(\*\*) Term: **14 Years**  
(21) Appl. No.: **29/371,461**  
(22) Filed: **Mar. 4, 2011**  
(51) **LOC (9) Cl.** ..... **24-99**  
(52) **U.S. Cl.**  
USPC ..... **D24/172**  
(58) **Field of Classification Search**  
USPC ..... D24/150, 137, 172, 185, 108, 144;  
604/4, 5, 6, 22, 66, 65, 67, 27  
See application file for complete search history.

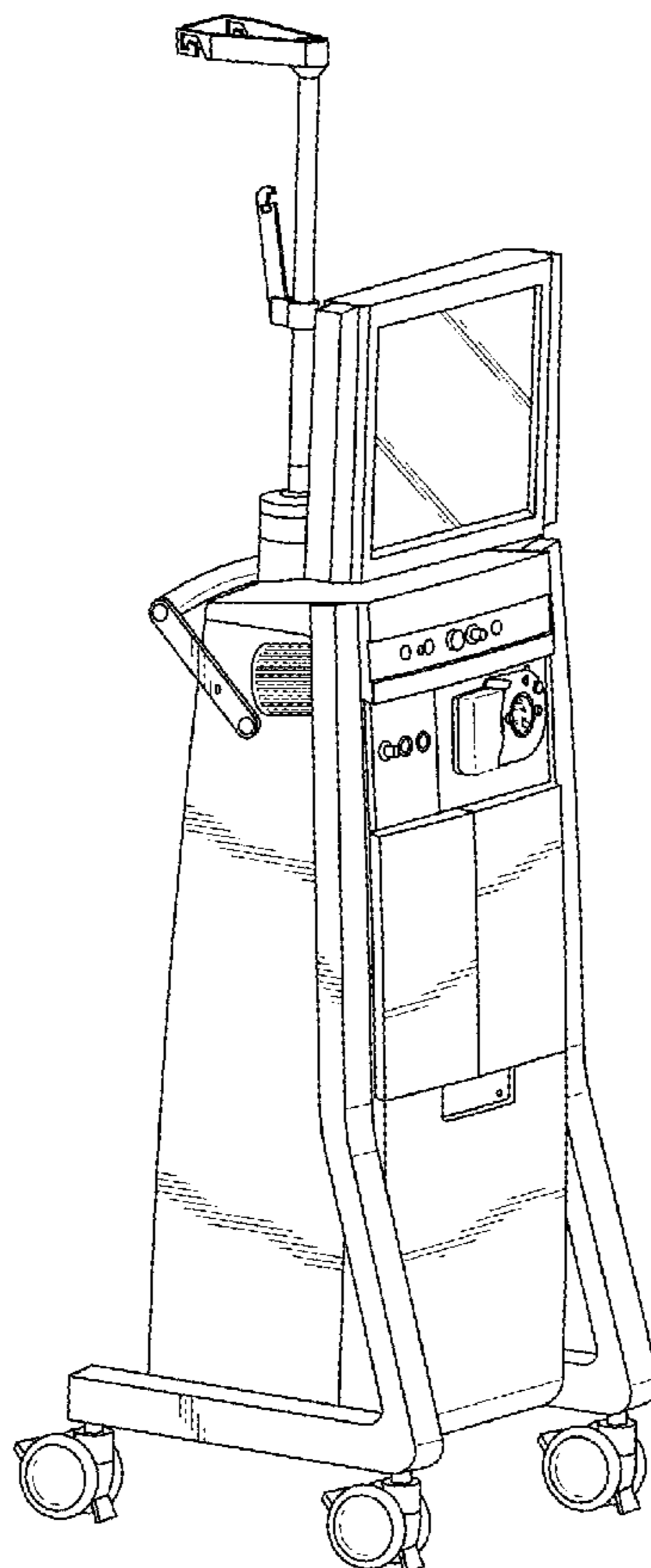
(56) **References Cited**  
**U.S. PATENT DOCUMENTS**  
D352,106 S \* 11/1994 Fanney et al. .... D24/185  
D544,103 S \* 6/2007 Meziere ..... D24/216  
D657,470 S \* 4/2012 Schon et al. .... D24/186

\* cited by examiner  
*Primary Examiner* — T. Chase Nelson  
*Assistant Examiner* — Ania Aman  
(74) *Attorney, Agent, or Firm* — Walter Ottesen P.A.

(57) **CLAIM**  
The ornamental design for an ophthalmologic console, as shown and described.

**DESCRIPTION**  
FIG. 1 is a front perspective view of an ophthalmologic console according to our new design;  
FIG. 2 is a rear perspective view of the ophthalmologic console of FIG. 1;  
FIG. 3 is a front elevation view of the ophthalmologic console of FIG. 1;  
FIG. 4 is a rear elevation view of the ophthalmologic console of FIG. 1;  
FIG. 5 is a right side elevation view of the ophthalmologic console of FIG. 1;  
FIG. 6 is a left side elevation view of the ophthalmologic console of FIG. 1;  
FIG. 7 is a top plan view of the ophthalmologic console of FIG. 1; and,  
FIG. 8 is a bottom plan view of the ophthalmologic console of FIG. 1.  
The areas shown in broken lines form no part of the claimed design.

**1 Claim, 4 Drawing Sheets**



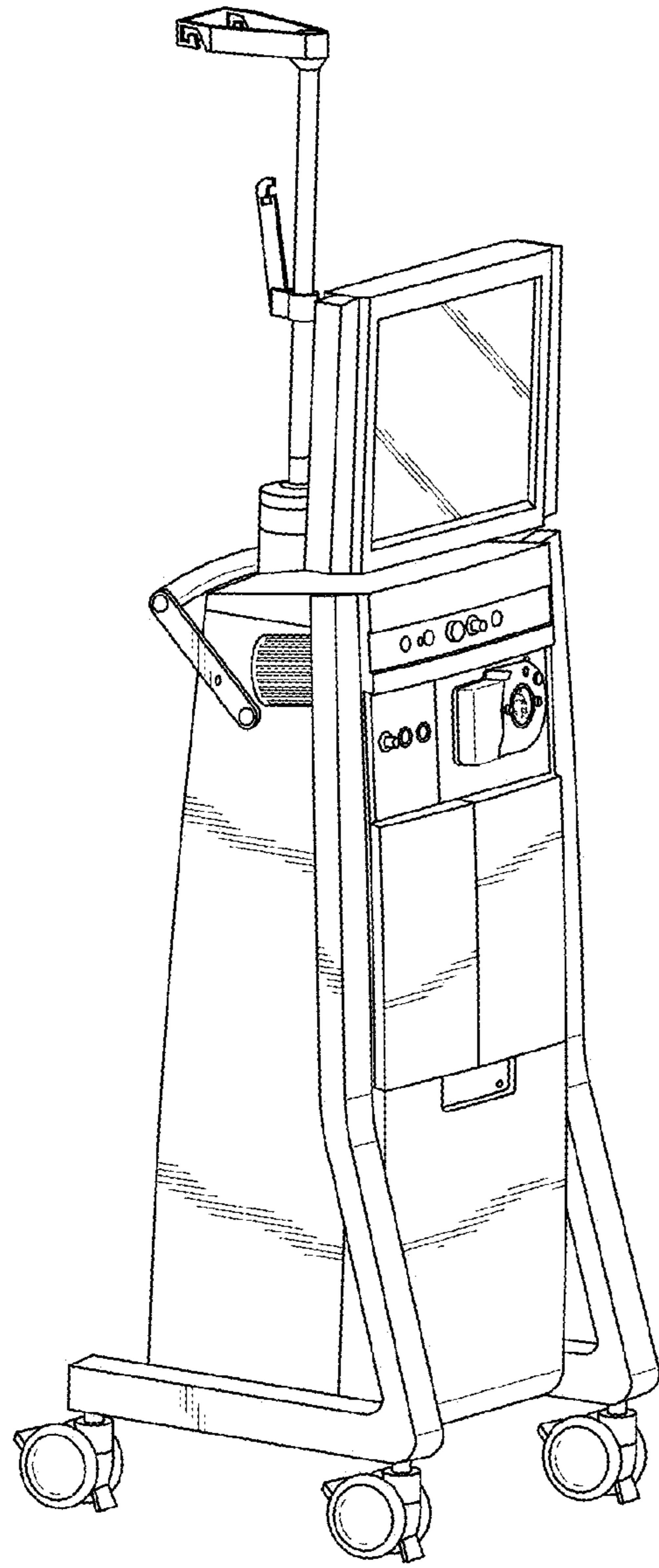


FIG. 1

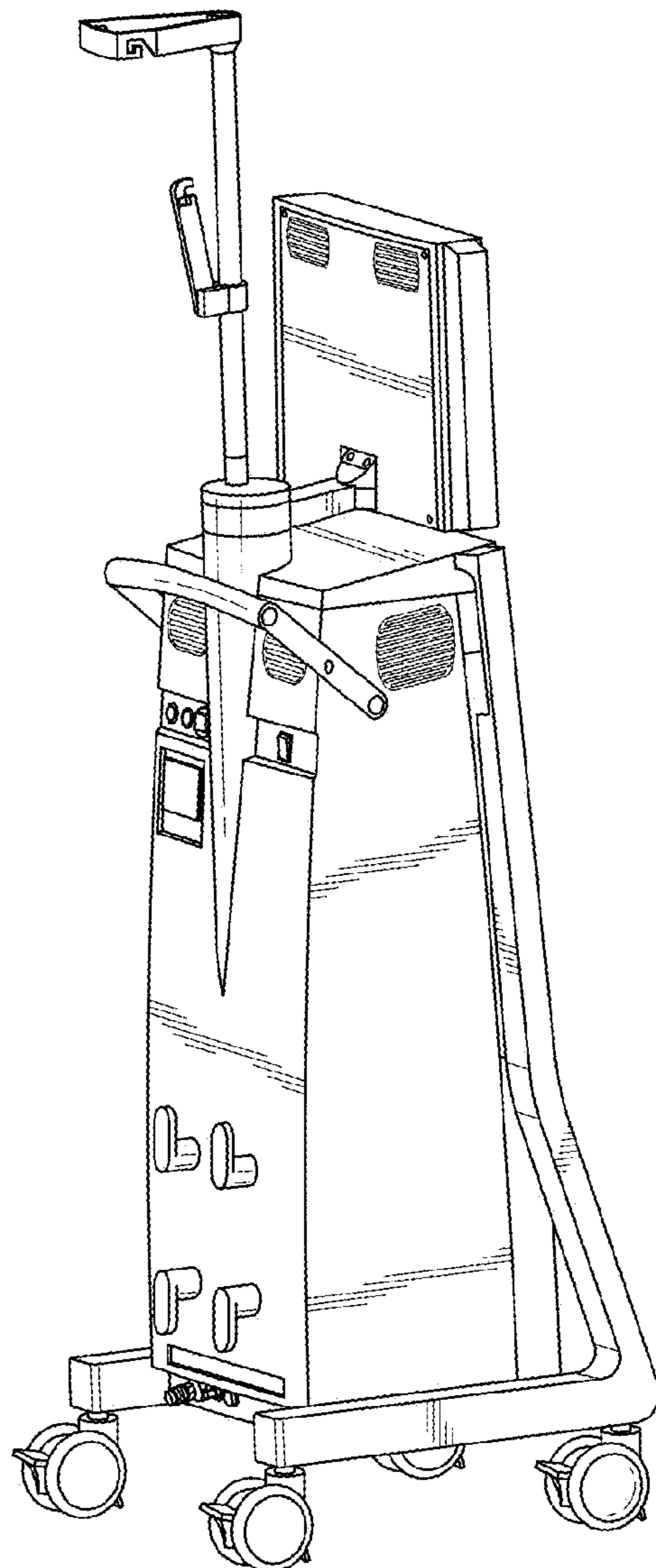


FIG. 2

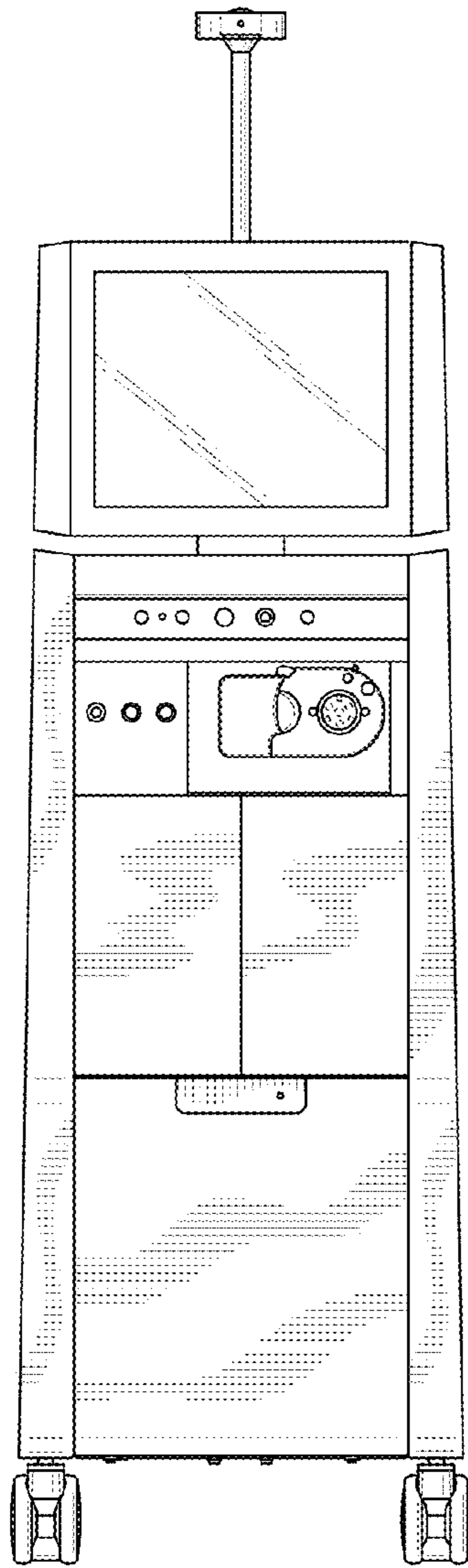


FIG. 3

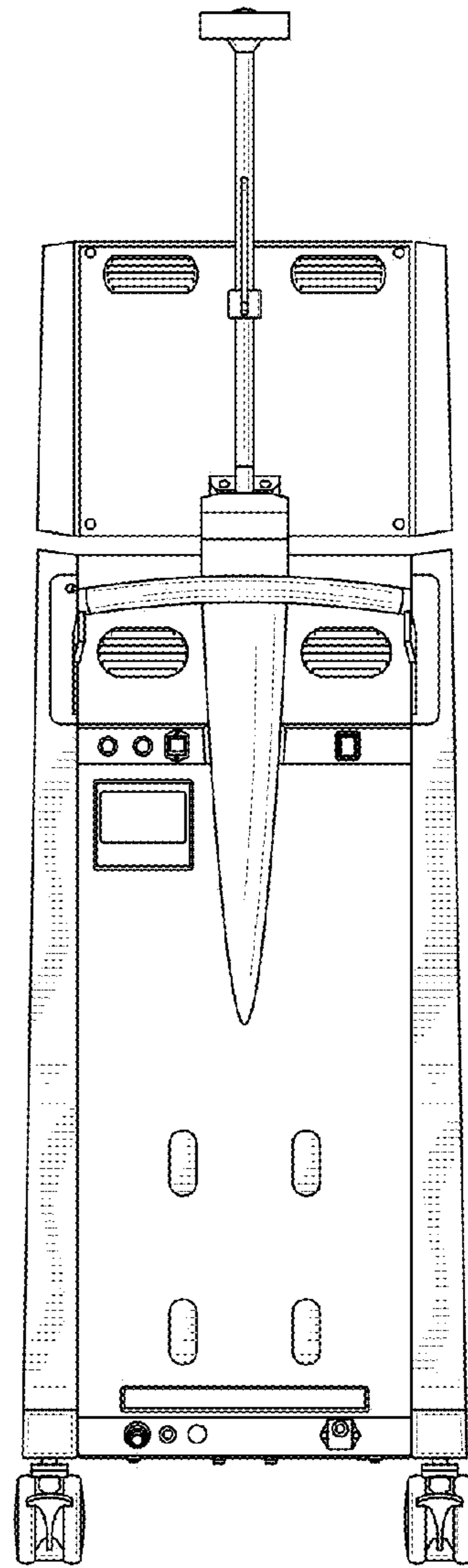


FIG. 4

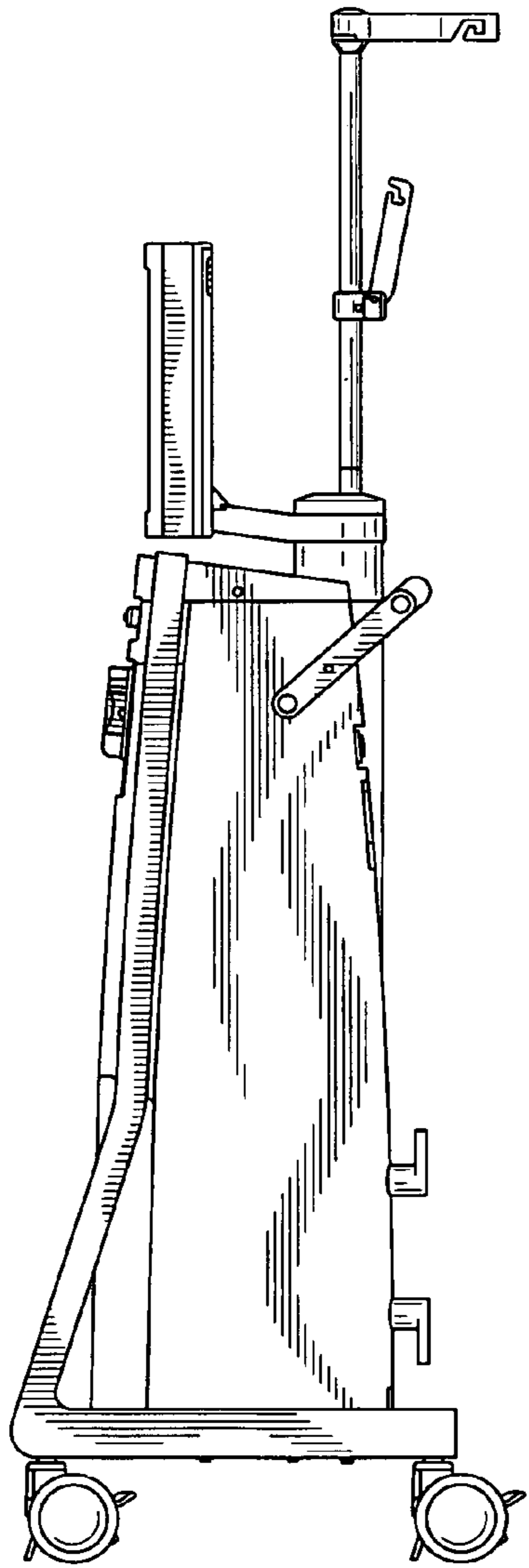


FIG. 5

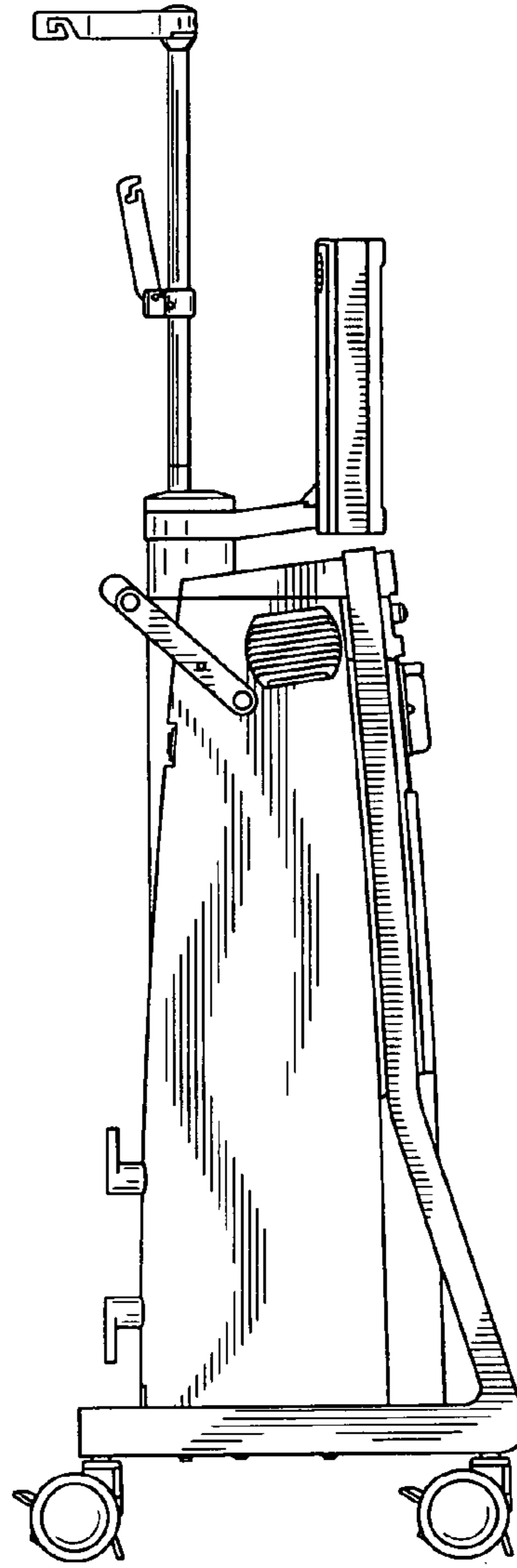


FIG. 6

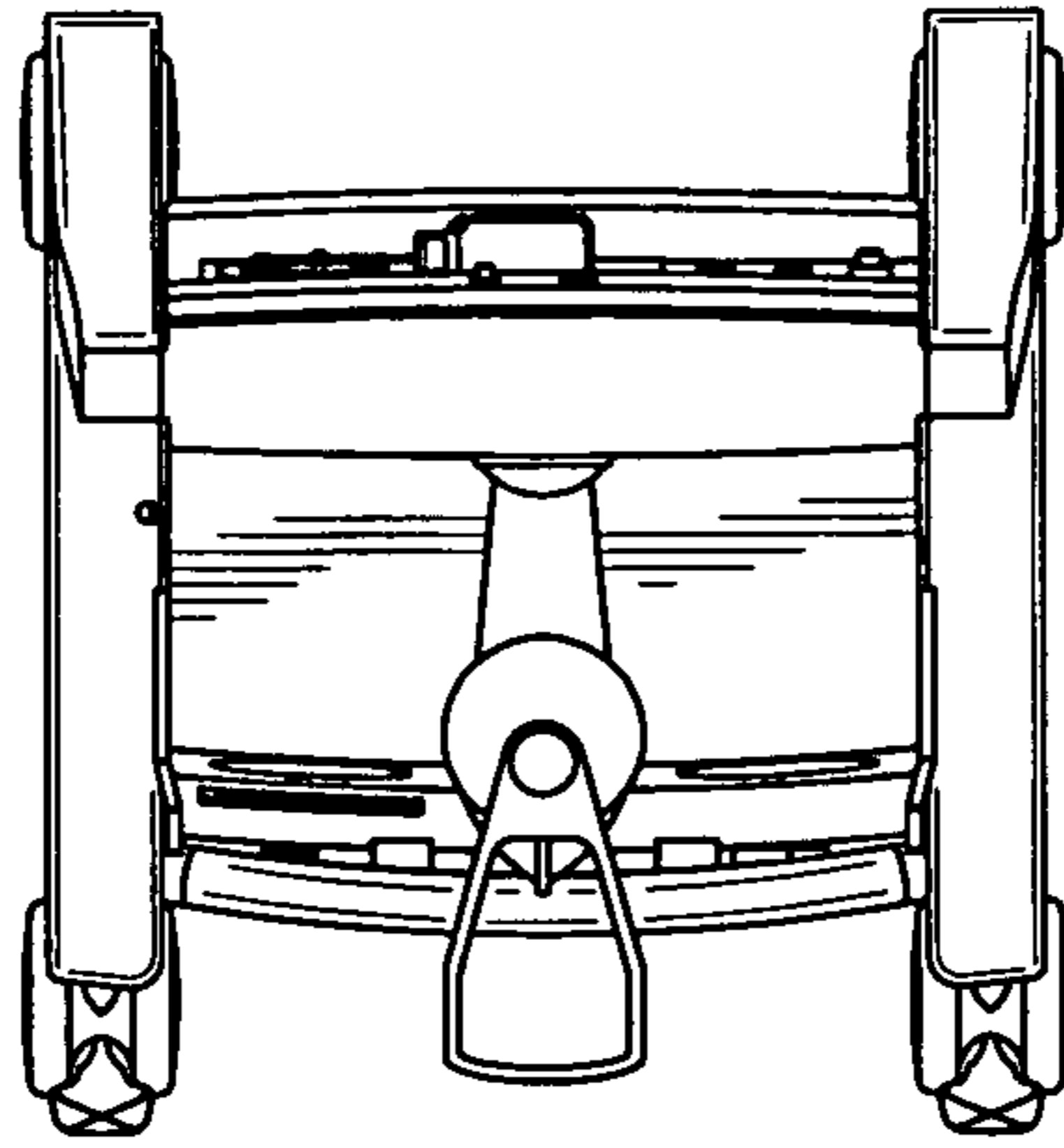


FIG. 7

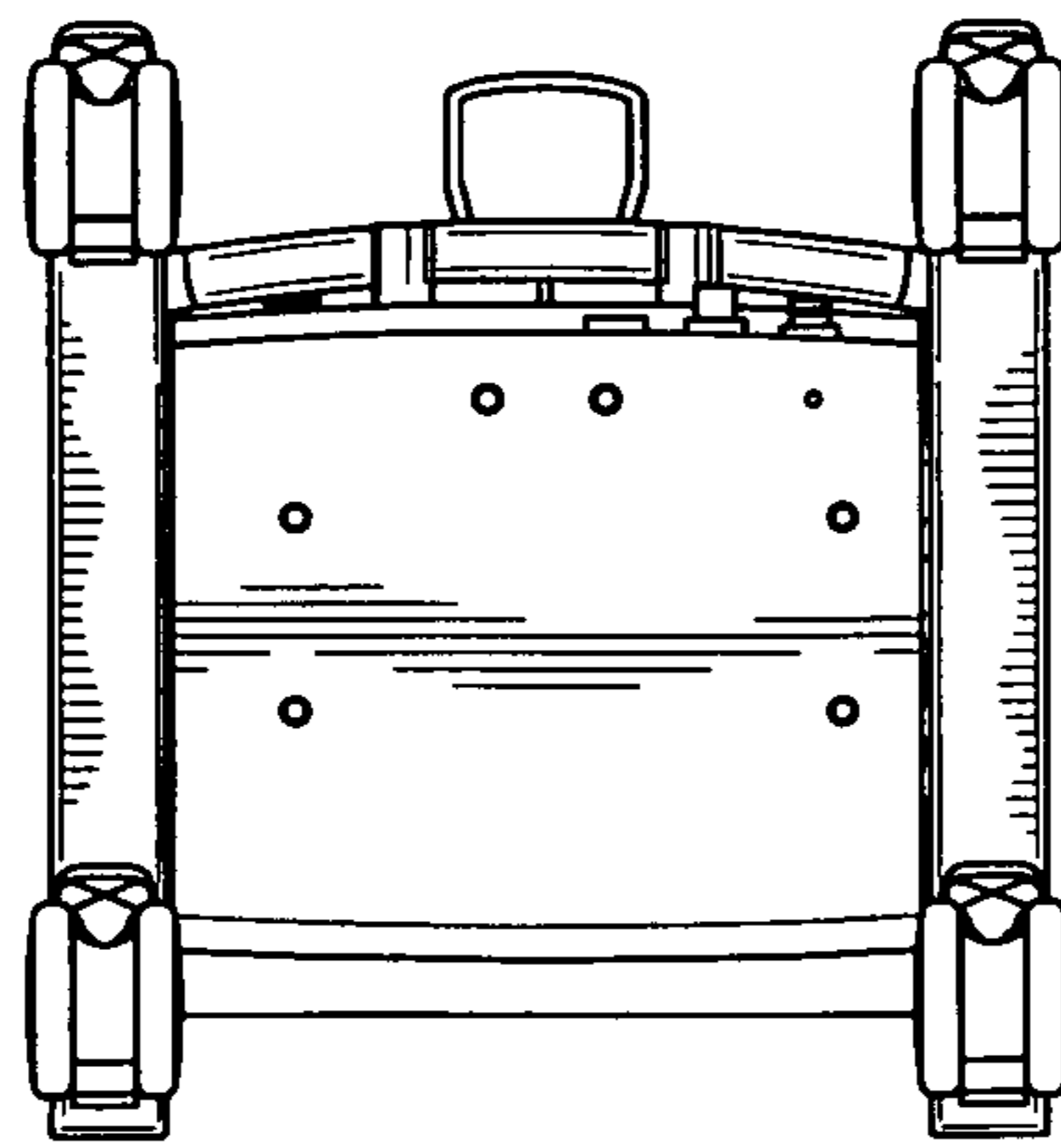


FIG. 8