

US00D692561S

(12) **United States Design Patent**  
**Hochman et al.**

(10) **Patent No.:** **US D692,561 S**

(45) **Date of Patent:** **\*\* Oct. 29, 2013**

(54) **DENTAL IMPLANT ABUTMENT SHELL**

(56) **References Cited**

(71) Applicants: **Mark N. Hochman**, Great Neck, NY  
(US); **Stephen J. Chu**, New York, NY  
(US); **Jocelyn Huiping Tan-Chu**, New  
York, NY (US); **Adam J. Mieszko**,  
Arverne, NY (US)

U.S. PATENT DOCUMENTS

5,674,069	A *	10/1997	Osorio	433/172
5,779,480	A *	7/1998	Groll et al.	433/173
6,024,567	A *	2/2000	Callan	433/173
D486,914	S *	2/2004	Schulter et al.	D24/156
D493,535	S *	7/2004	Whitehead	D24/156
D507,052	S *	7/2005	Wohrle	D24/156
D511,833	S *	11/2005	Wohrle	D24/156

(72) Inventors: **Mark N. Hochman**, Great Neck, NY  
(US); **Stephen J. Chu**, New York, NY  
(US); **Jocelyn Huiping Tan-Chu**, New  
York, NY (US); **Adam J. Mieszko**,  
Arverne, NY (US)

\* cited by examiner

*Primary Examiner* — Ian Simmons

*Assistant Examiner* — Charles Hanson

(74) *Attorney, Agent, or Firm* — Notaro, Michalos &  
Zaccaria P.C.

(\*\*) Term: **14 Years**

(57) **CLAIM**

The ornamental design for a dental implant abutment shell, as  
shown and described.

(21) Appl. No.: **29/437,342**

**DESCRIPTION**

(22) Filed: **Nov. 15, 2012**

(51) **LOC (9) Cl.** ..... **24-02**

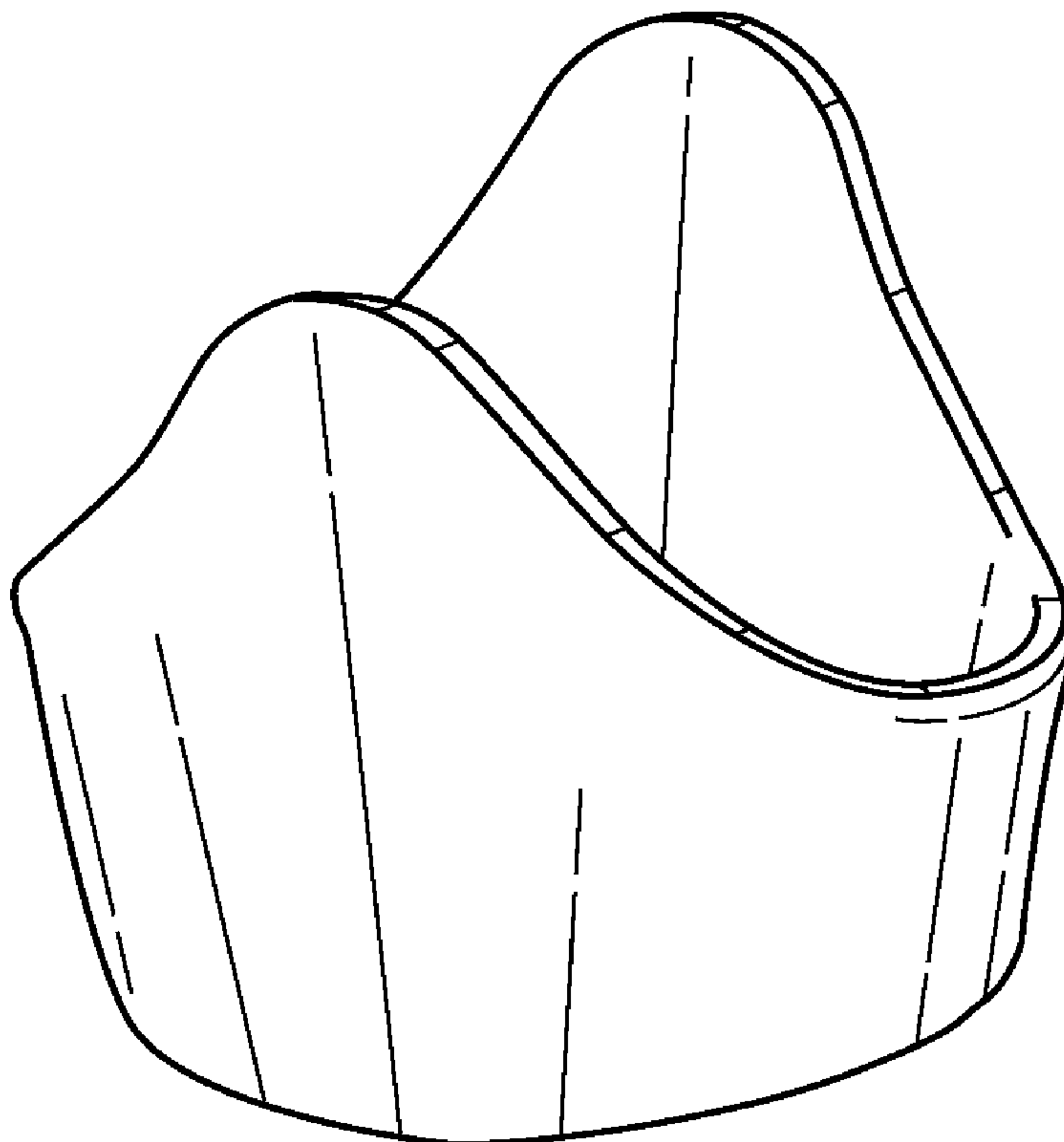
(52) **U.S. Cl.**  
USPC ..... **D24/156**

(58) **Field of Classification Search**  
USPC ..... D24/155, 156; 606/194, 198, 106;  
D8/387, 310–312; 433/178, 378

FIG. 1 is a side rear top elevational view of a dental implant  
abutment shell showing our design therefor;  
FIG. 2 is a left elevational view thereof;  
FIG. 3 is a right elevational view thereof;  
FIG. 4 is a front elevational view thereof;  
FIG. 5 is a rear elevational view thereof;  
FIG. 6 is a top plan view thereof; and,  
FIG. 7 is a bottom plan view thereof.

See application file for complete search history.

**1 Claim, 2 Drawing Sheets**



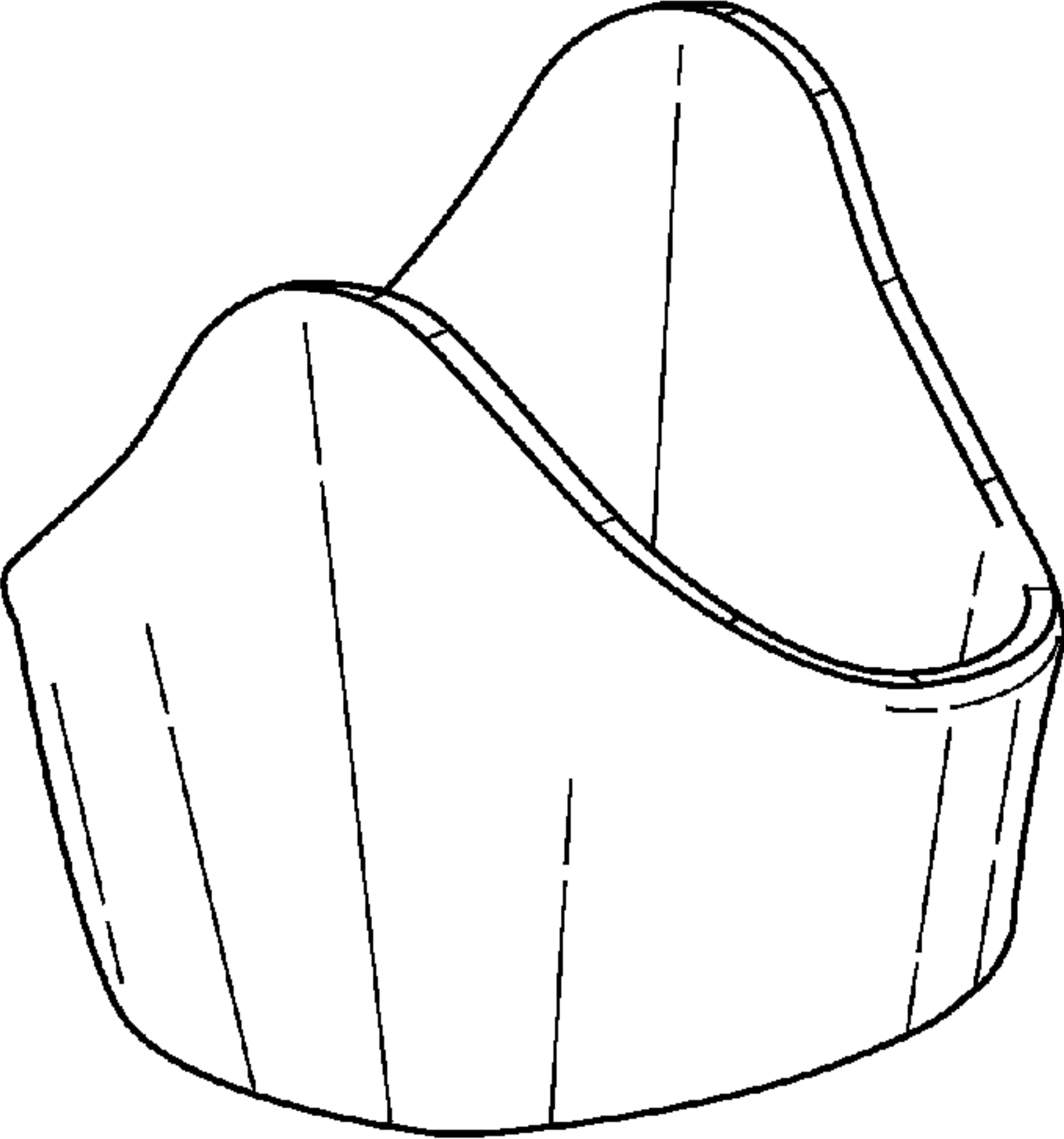


FIG. 1

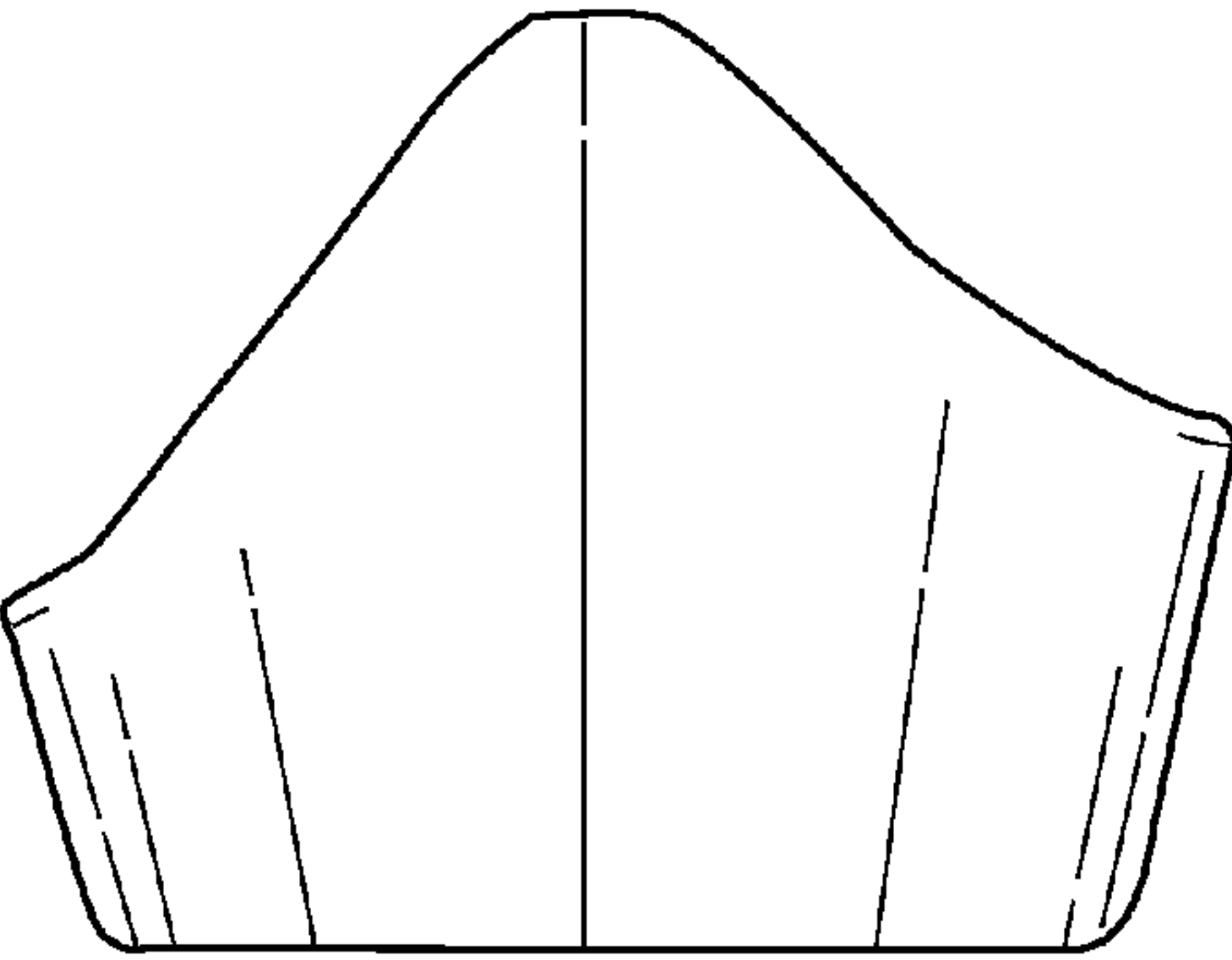


FIG. 2

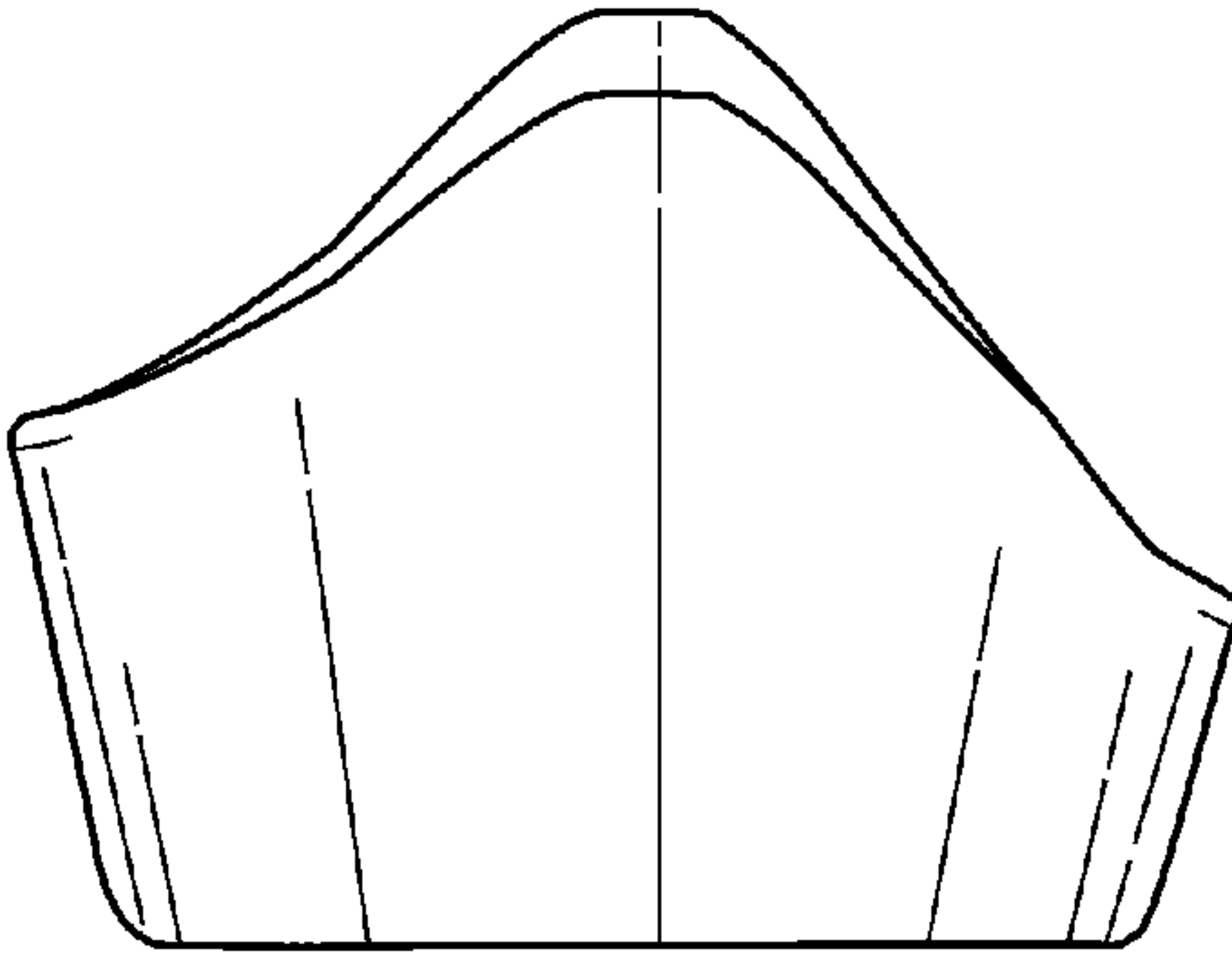


FIG. 3

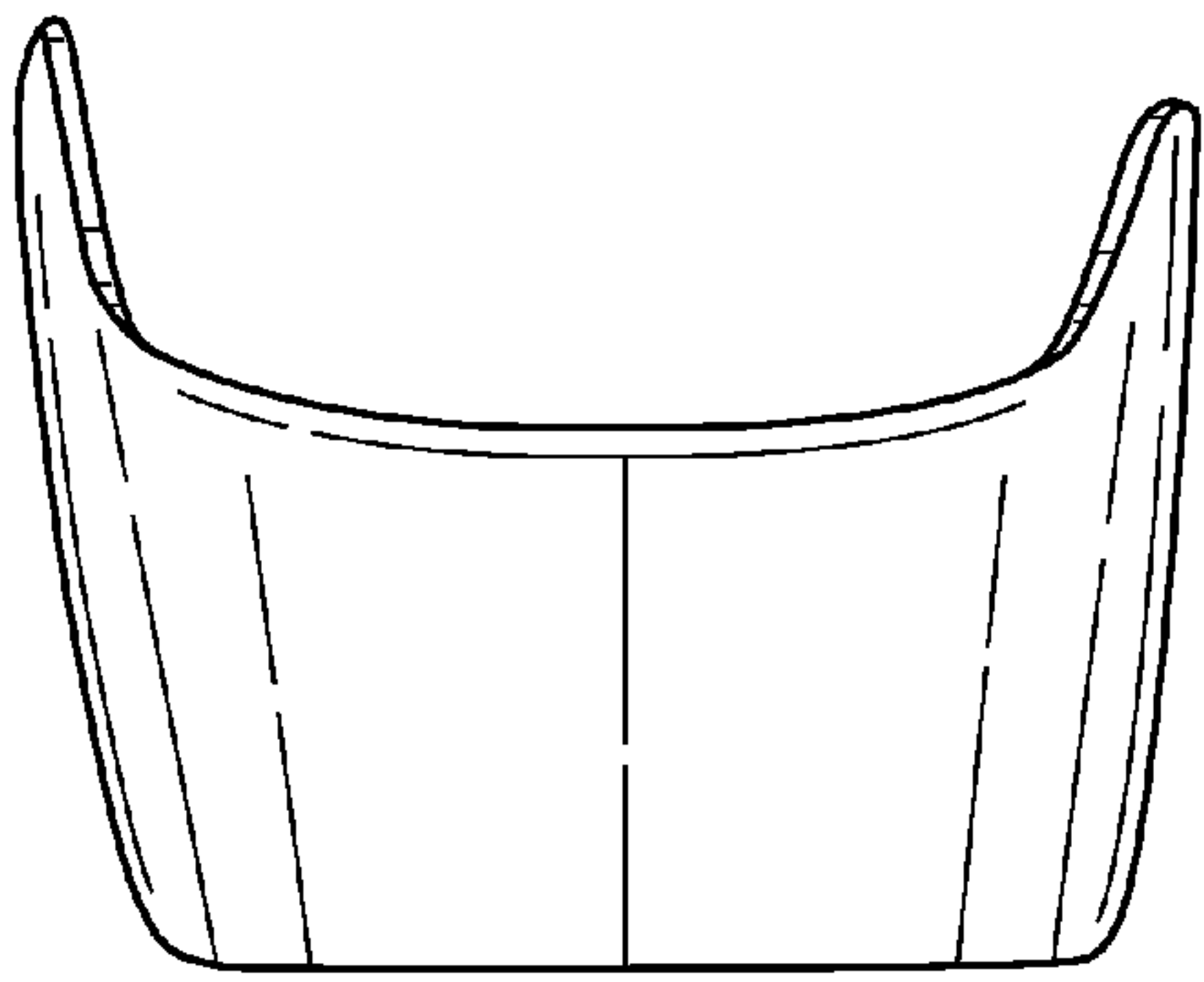


FIG. 4

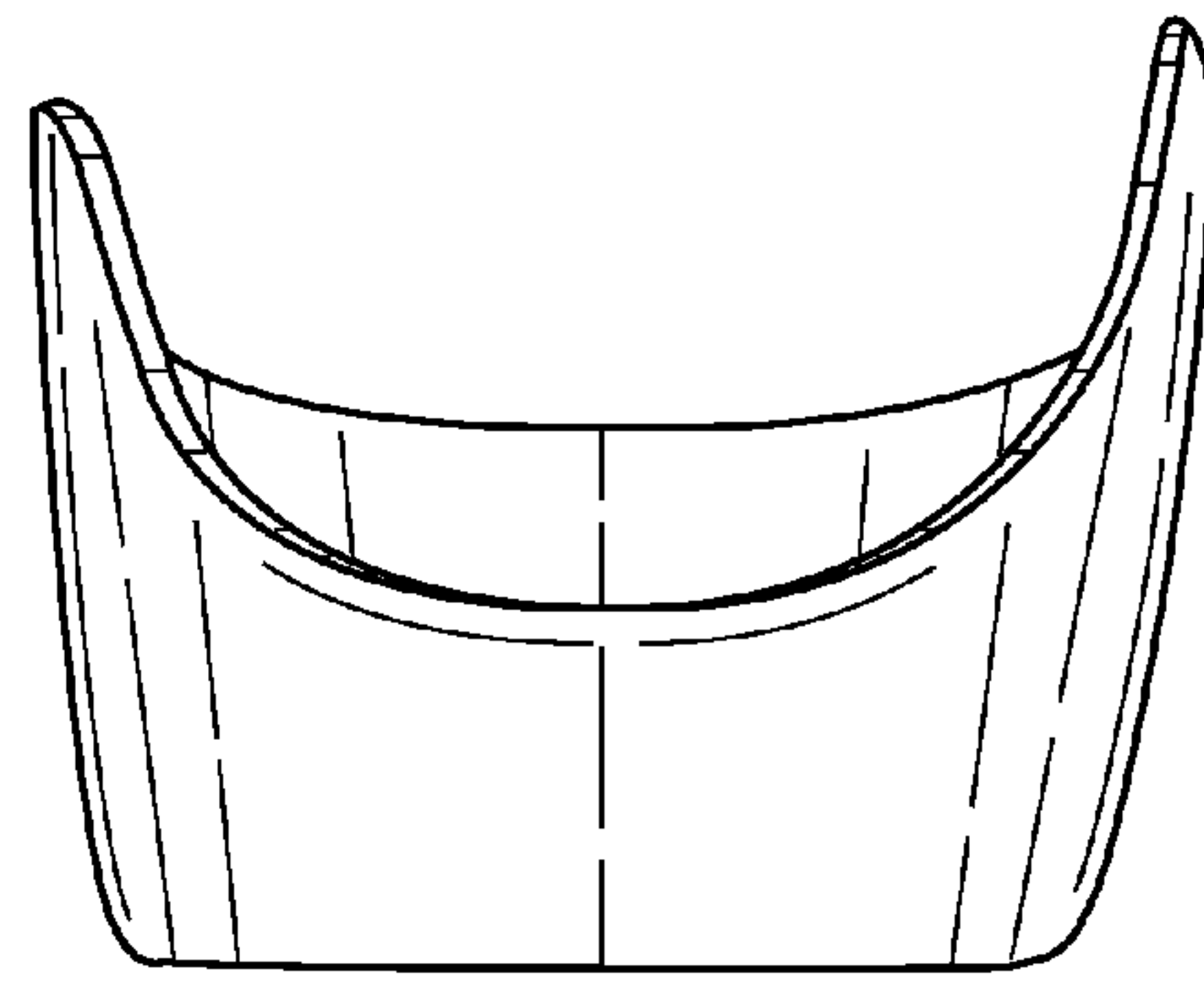


FIG. 5

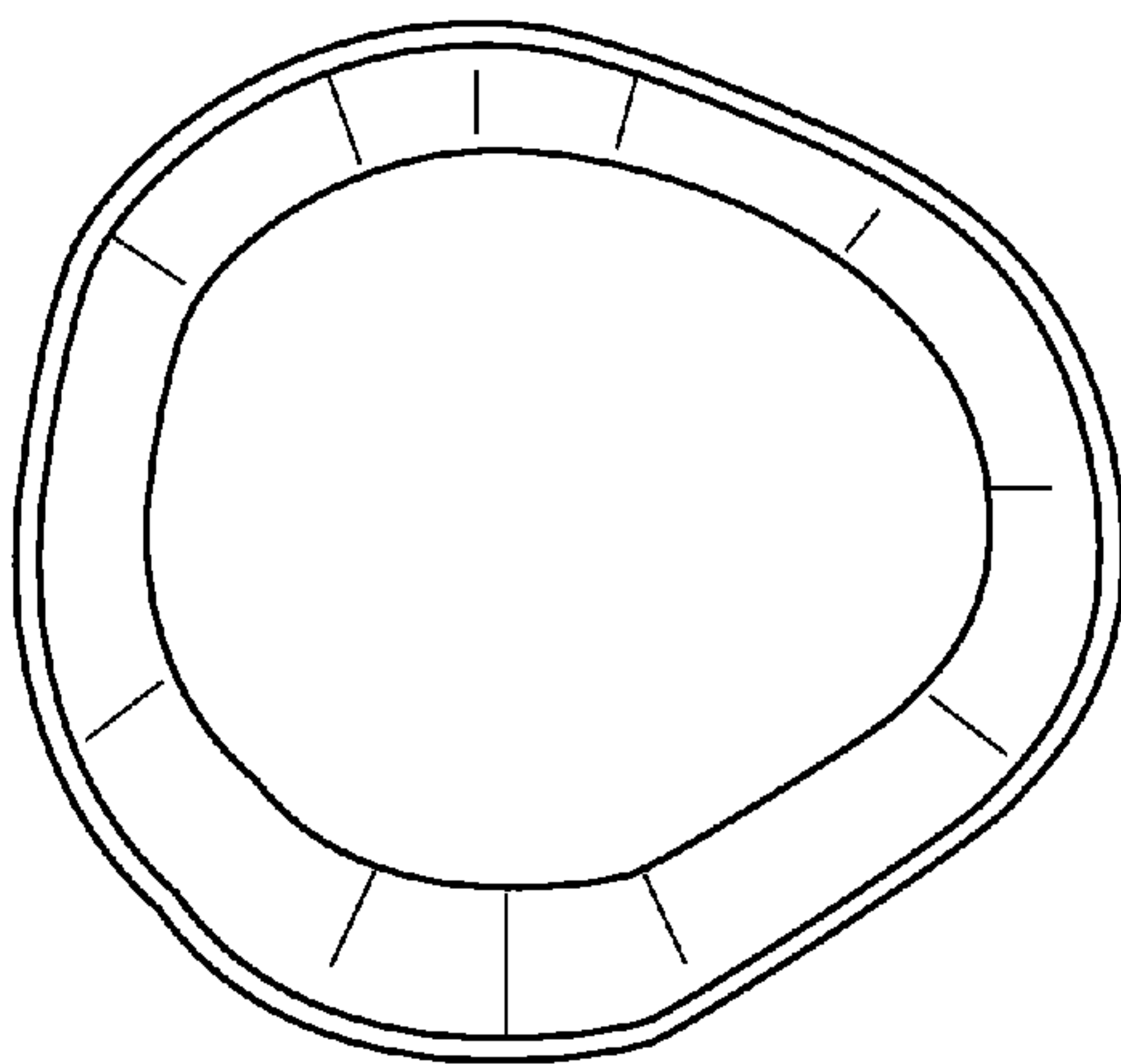


FIG. 6

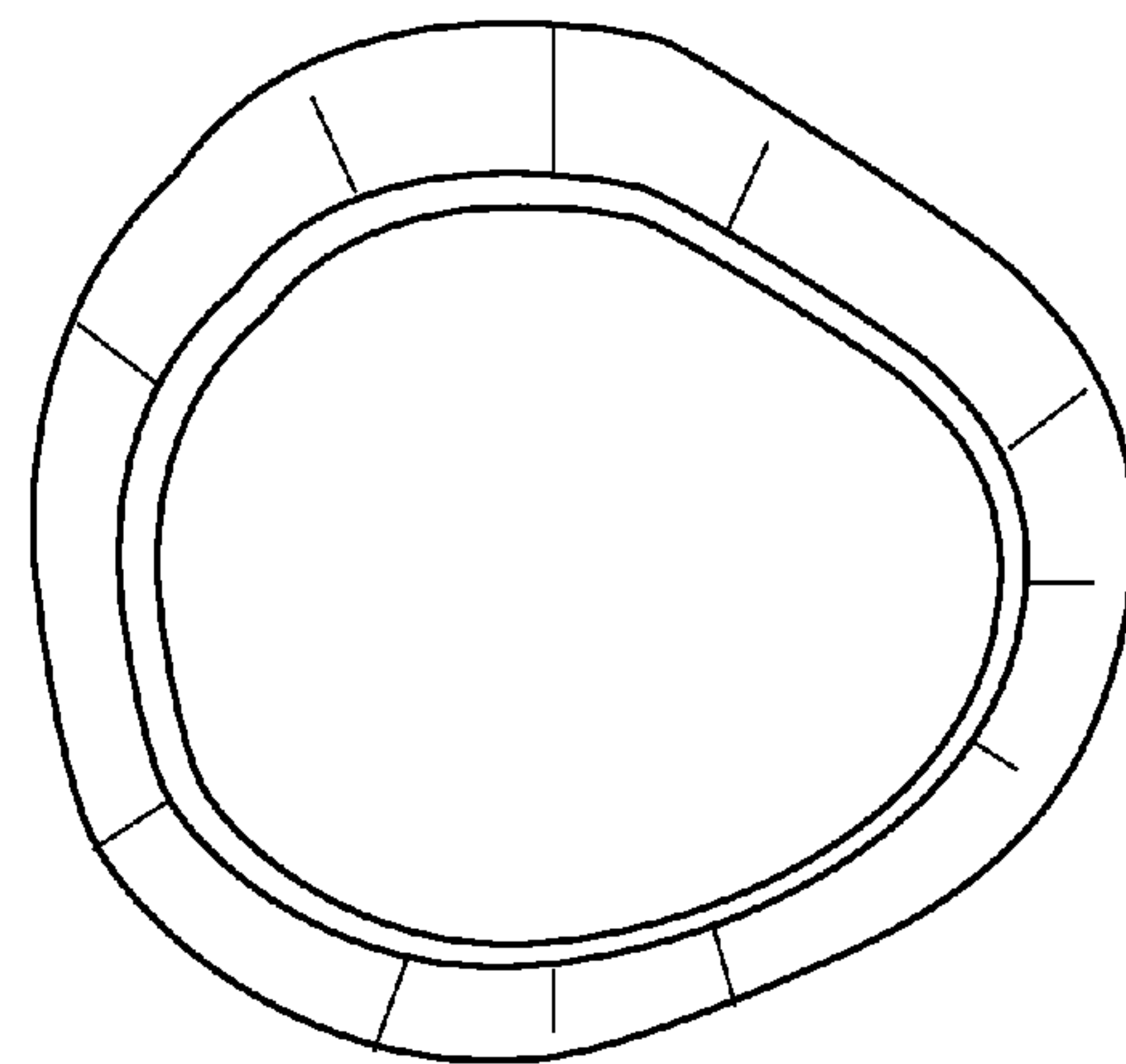


FIG. 7